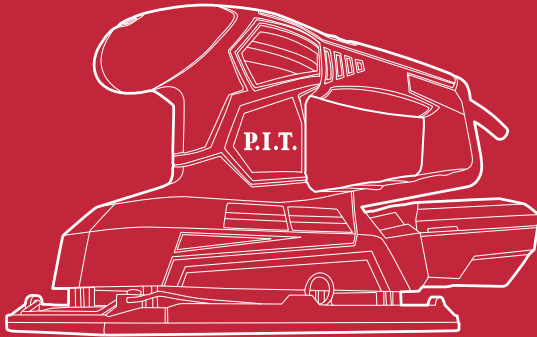


# P.I.T.

## PSP400-C1



### SQUARE SANDER

ПЛОСКОШЛИФОВАЛЬНАЯ МАШИНА

**400W**

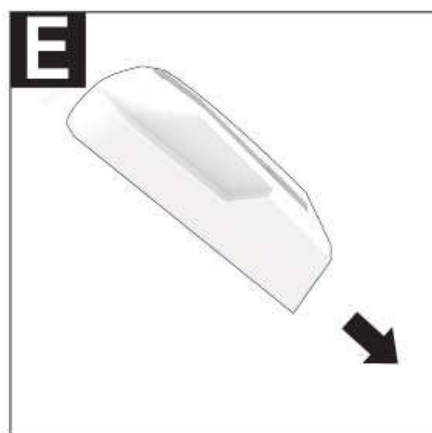
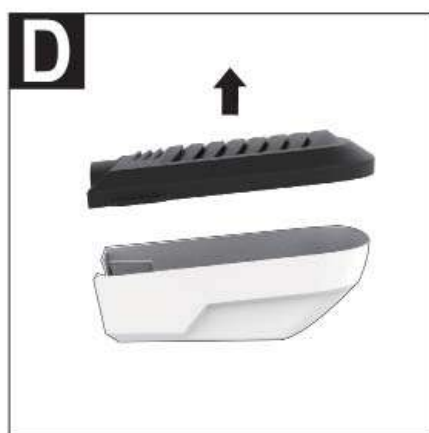
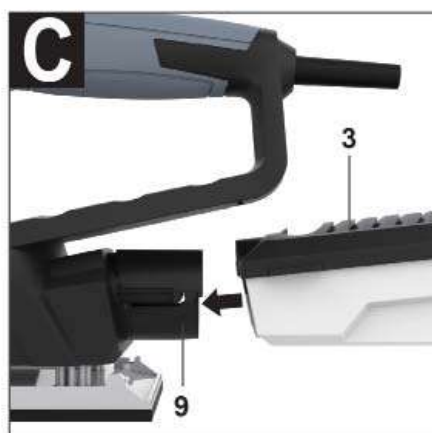
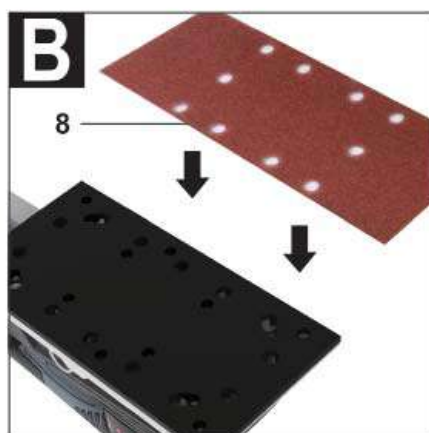
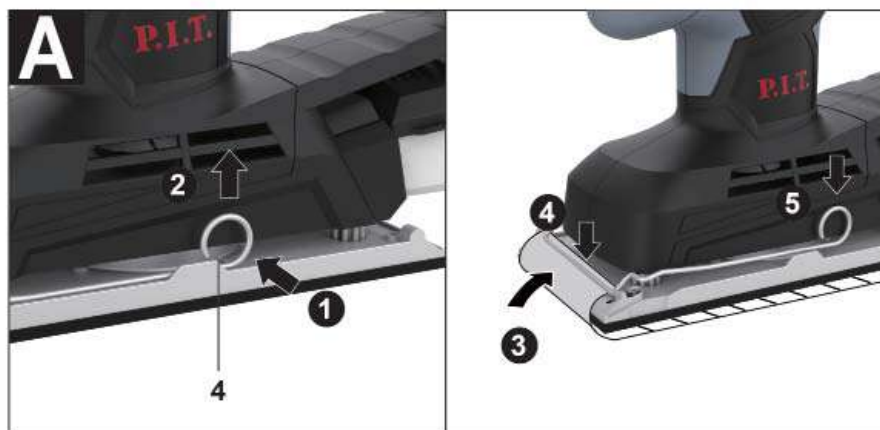
**Powerful  
Efficient**

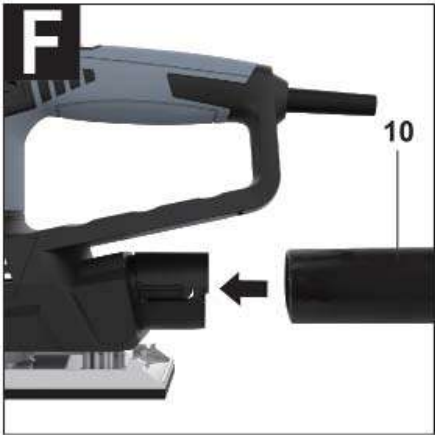
Please read the instruction manual carefully before use !

Пожалуйста, внимательно прочтите инструкцию перед использованием!









**English****Safety Notes****General Power Tool Safety Warnings**

**WARNING** Read all safety warnings and all instructions.

Failure to follow the warnings and instructions may result in electric shock, fire and/or serious injury.

**Save all warnings and instructions for future reference.**

The term "power tool" in the warnings refers to your mainsoperated (corded) power tool or battery-operated (cordless) power tool.

**Work area safety**

- ▶ **Keep work area clean and well lit.** Cluttered or dark areas invite accidents.
- ▶ **Do not operate power tools in explosive atmospheres, such as in the presence of flammable liquids, gases or dust.** Power tools create sparks which may ignite the dust or fumes.
- ▶ **Keep children and bystanders a way while operating a power tool.** Distractions can cause you to lose control.

**Electrical safety**

- ▶ **Power tool plugs must match the outlet. Never modify the plug in any way. Do not use any adapter plugs with earthed (grounded) power tools.** Unmodified plugs and matching outlets will reduce risk of electric shock.
- ▶ **Avoid body contact with earthed or grounded surfaces, such as pipes, radiators, ranges and refrigerators.** There is an increased risk of electric shock if your body is earthed or grounded.
- ▶ **Do not expose power tools to rain or wet conditions.** Water entering a power tool will increase the risk of electric shock.
- ▶ **Do not abuse the cord. Never use the cord for carrying, pulling or unplugging the power tool. Keep cord away from heat, oil, sharp edges and moving parts.** Damaged or entangled cords increase the risk of electric shock.
- ▶ **When operating a power tool outdoors, use an extension cord suitable for outdoor use.** Use of a cord suitable for outdoor use reduces the risk of electric shock.
- ▶ **If operating a power tool in a damp location is unavoidable, use a residual current device (RCD) protected supply.** Use of an RCD reduces the risk of electric shock.

**Personal safety**

- ▶ **Stay alert, watch what you are doing and use common sense when operating a power tool. Do not use a power tool while you are tired or under the influence of drugs, alcohol or medication.** A moment of inattention while operating power tools may result in serious personal injury.
  - ▶ **Use personal protective equipment. Always wear eye protection.** Protective equipment such as a dust mask, non-skid safety shoes, hard hat or hearing protection used for appropriate conditions will reduce personal injuries.
  - ▶ **Prevent unintentional starting. Ensure the switch is in the off-position before connecting to power source and/or battery pack, picking up or carrying the tool.** Carrying power tools with your finger on the switch or energising power tools that have the switch on invites accidents.
  - ▶ **Remove any adjusting key or wrench before turning the power tool on.** A wrench or a key left attached to a rotating part of the power tool may result in personal injury.
  - ▶ **Do not overreach. Keep proper footing and balance at all times.** This enables better control of the power tool in unexpected situations.
  - ▶ **Dress properly. Do not wear loose clothing or jewellery. Keep your hair, clothing and gloves away from moving parts.** Loose clothes, jewellery or long hair can be caught in moving parts.
  - ▶ **If devices are provided for the connection of dust extraction and collection facilities, ensure these are connected and properly used.** Use of dust collection can reduce dust-related hazards.
  - ▶ **Do not let familiarity gained from frequent use of tools allow you to become complacent and ignore tool safety principles.** A careless action can cause severe injury within a fraction of a second.
- Power tool use and care**
- ▶ **Do not force the power tool. Use the correct power tool for your application.** The correct power tool will do the job better and safer at the rate for which it was designed.
  - ▶ **Do not use the power tool if the switch does not turn it on and off.** Any power tool that cannot be controlled with the switch is dangerous and must be repaired.

- ▶ **Disconnect the plug from the power source and/or the battery pack from the power tool before making any adjustments ,changing accessories, or storing power tools.** Such preventive safety measures reduce the risk of starting the power tool accidentally .
- ▶ **Store idle power tools out of the reach of children and do not allow persons unfamiliar with the power tool or these instructions to operate the power tool.** Power tools are dangerous in the hands of untrained users.
- ▶ **Maintain power tools. Check for misalignment or binding of moving parts, breakage of parts and any other condition that may affect the power tool's operation. If damaged, have the power tool repaired before use.** Many accidents are caused by poorly maintained power tools.
- ▶ **Keep cutting tools sharp and clean.** Properly maintained cutting tools with sharp cutting edges are less likely to bind and are easier to control.
- ▶ **Use the power tool, accessories and tool bits etc. in accordance with these instructions, taking into account the working conditions and the work to be performed.** Use of the power tool for operations different from those intended could result in a hazardous situation.
- ▶ **Keep handles and grasping surfaces dry, clean and free from oil and grease.** Slippery handles and grasping surfaces do not allow for safe handling and control of the tool in unexpected situations.

## Service

- ▶ **Have your power tool serviced by a qualified repair person using only identical replacement parts.** This will ensure that the safety of the power tool is maintained.

## Safety Warnings for Sander

- ▶ **Hold the power tool firmly with both hands and make sure you have a stable footing.** The power tool can be more securely guided with both hands.
- ▶ **Only use the power tool for dry sanding.** Water entering a power tool will increase the risk of electric shock.
- ▶ **Warning: Danger of fire! Avoid overheating the workpiece and the sander. Always empty the dust collector before taking a break from work.** Sanding dust

in the dust bag, microfilter, paper bag (or in the filter bag or vacuum cleaner filter) can spontaneously combust under certain conditions, for example if flying sparks are created when sanding metals. This risk is increased if the sanding dust is mixed with paint or polyurethane residue or with other chemical substances and if the workpiece is hot as a result of prolonged work.

- ▶ **Clean the air vents on your power tool regularly.** The motor's fan will draw the dust inside the housing and excessive accumulation of powdered metal may cause electrical hazards.
- ▶ **Secure the workpiece.** A workpiece clamped with clamping devices or in a vice is held more secure than by hand.
- ▶ **Always wait until the power tool has come to a complete stop before placing it down.**

## Product Description and Specifications



**Read all safety warnings and all instructions.** Failure to follow the warnings and instructions may result in electric shock, fire and/or serious injury.

### Intended Use

The power tool is intended for dry sanding of wood, plastic, metal, filler and varnished surfaces.

### Product Features

The numbering of the components shown refers to the representation of the power tool on the graphic pages.

- (1) Orbital stroke rate preselection thumb-wheel
- (2) On/off switch
- (3) Complete dust box (Microfilter system)
- (4) Clamping lever
- (5) Sanding plate
- (6) Front clamping bracket
- (7) Handle (insulated gripping surface)
- (8) Sanding sheet
- (9) Extraction outlet
- (10) Dust extraction hose

### Technical Data

Model	PSP400-C1
Rated voltage	220 V~/50 Hz
Rated power	400 W
Rated no-load speed	6000-11000 spm
The size of the grinding base	230X115 mm (4-1/2"X9")
Weight	2.6 kg

## Contents of delivery

Square sander	1pc
Sandpaper	6pcs
Dust collector	1pc
Instruction manual	1pc

### Note

Since the product is constantly being improved, P.I.T. reserves the right to make changes to the specifications and product specifications specified here without prior notice.

## Assembly

- ▶ **Pull the plug out of the socket before carrying out any work on the power tool.**

## Dust/chip extraction

The dust from materials such as lead paint, some types of wood, minerals and metal can be harmful to human health.

Touching or breathing in this dust can trigger allergic reactions and/or cause respiratory illnesses in the user or in people in the near vicinity.

Certain dusts, such as oak or beech dust, are classified as carcinogenic, especially in conjunction with wood treatment additives (chromate, wood preservative). Materials containing asbestos may only be machined by specialists.

- Use a dust extraction system that is suitable for the material wherever possible.
- Provide good ventilation at the workplace.
- It is advisable to wear a P2 filter class breathing mask.

The regulations on the material being machined that apply in the country of use must be observed.

- ▶ **Avoid dust accumulation at the work-place.** Dust can easily ignite.

## Self-generated dust extraction with dust box(see figures C-E)

Slide the dust box onto the extraction outlet. Turn the dust box in such a manner that its recesses face against the tips on the extraction outlet and the dust box can be felt to engage. You can easily check the filling level of the dust box through the transparent container.

To empty the dust box, rotate slightly and pull it back.

Unscrew the filter element and pull it out of the dust box. Empty the dust box.

Gently tap the filter element against a solid surface to loosen the dust. Use a soft brush to clean the flaps of the filter element.

**Note:** In order to ensure optimum dust extraction, empty the dust box in good time and clean the filter element regularly.

When working on vertical surfaces, hold the power tool with the dust box facing downwards.

## External dust extraction (see figure F)

Fit a dust extraction hose onto the extraction outlet. Mount the vacuum hose onto the extraction outlet (as shown in the figure) in such a manner that the lateral openings on the extraction outlet remain free. This prevents the power tool from adhering to the workpiece during sanding and the surface quality of the workpiece from being impaired.

Connect the dust extraction hose to an extractor. You will find an overview of connecting to various dust extractors at the end of these operating instructions.

The dust extractor must be suitable for the material being worked.

When extracting dry dust that is especially detrimental to health or carcinogenic, use a special dust extractor.

When working on vertical surfaces, hold the power tool with the dust extraction hose facing downwards.

## Changing the sanding sheet

Remove dirt and dust from the sanding plate, e.g. with a brush, before attaching a new sanding sheet.

To ensure optimum dust extraction, make sure that the punched holes in the sanding sheet are aligned with the drilled holes in the sanding plate.

## Sanding sheets with hook-and-loop backing(see figure B)

The sanding platform is equipped with a hook and loop fastening system that allows you to quickly and easily attach sanding sheets with a similar backing.

Press down on the hook and loop of the sanding platform attachment before installing the sanding plate to ensure maximum pressure.

Apply abrasive to one side of the sanding platform flush with the edge of the plate, then apply all of the abrasive to the plate and press firmly.

To remove abrasive material, grasp the tip and pull it off the sanding plate.

## Sanding sheets without hook-and-loop backing(see figures A)

Press the clamping lever down.

Slide the sanding sheet all the way under the open rear clamping bar and release the clamping lever.

Open the clamping lever.

Place the sanding sheet firmly on the sanding platform. Slide the other end of the sanding sheet under the open front clamping bar and clamp the sanding sheet with the clamping lever.

To remove the sanding sheet, release the clamping lever and press down. Remove the sanding sheet.

## Special sanding platforms

You can replace the supplied sanding platform with an optional special sanding plate.

The installation of a special sanding plate is carried out in the same way as the platforms in the kit.

Fitting and removing the corresponding sanding paper is done in the same way as when changing the original sanding paper.

## Operation

### Starting Operation

- ▶ **Pay attention to the mains voltage.**  
The voltage of the power source must match the voltage specified on the rating plate of the power tool. Power tools marked with 230 V can also be operated with 220 V.

### Switching on/off

- ▶ **Make sure that you are able to press the On/Off switch without releasing the handle.**

To **switch on** the power tool, press and hold the on/off switch.

To **lock** the on/off switch press and hold it while also pushing the lock-on button.

To **switch off** the power tool, release the on/off switch.

If the on/off switch is locked, press the switch first and then release it.

### Preselecting the orbital stroke rate

You can even preselect the orbital stroke rate during operation using the necessary orbital stroke rate preselection thumbwheel.

The required orbital stroke rate is dependent on the material and the work conditions and can be determined using practical tests.

## Practical advice

- ▶ **Pull the plug out of the socket before carrying out any work on the power tool.**
- ▶ **Always wait until the power tool has come to a complete stop before placing it down.**

The material removal rate and sanding result are primarily determined by the choice of sanding sheet, the preselected orbital stroke

rate level and the contact pressure.

Only immaculate sanding sheets achieve good sanding performance and make the power tool last longer.

Be sure to apply consistent contact pressure in order to increase the lifetime of the sanding sheets.

Excessively increasing the contact pressure will not lead to increased sanding performance, rather it will cause more severe wear of the power tool and of the sanding sheet.

Do not use a sanding sheet for other materials after it has been used to work on metal.

Use only original P.I.T sanding accessories.

## Maintenance and Service

### Maintenance and Cleaning

- ▶ **Pull the plug out of the socket before carrying out any work on the power tool.**
- ▶ **To ensure safe and efficient operation, always keep the power tool and the ventilation slots clean.**

In order to avoid safety hazards, if the power supply cord needs to be replaced, this must be done by P.I.T. or by an after-sales service centre that is authorised to repair P.I.T. power tools.

## Dispose of waste



Damaged power tools, batteries, accessories and waste packaging materials must be recycled and reused in an environmentally friendly manner.

Do not throw power tools and accumulators / batteries into general household waste!

## Product serial number interpretation serial number

No. 

1	7	0	7	3	0	0	3	9	5
---	---	---	---	---	---	---	---	---	---

Year month day

The first and second digits of the product serial number from left to right

Year of production, the third and fourth digits indicate the month of production

The fifth and sixth digits indicate the production day.

## TERMS OF WARRANTY SERVICE

1. This Warranty Certificate is the only document that confirms your right to free warranty



service. Without presenting this certificate, no claims are accepted. In case of loss or damage, the warranty certificate is not restored.

2. The warranty period for the electric machine is 12 months from the date of sale, during the warranty period the service department eliminates manufacturing defects and replaces parts that have failed due to the fault of the manufacturer free of charge. In the warranty repair, an equivalent operable product is not provided. Replaceable parts become property of service providers.

P.I.T is not liable for any damage that may be caused by operation of the electric machine.

3. Only clean tool accompanied with the following duly executed documents: this Warranty Certificate, Warranty Card, with all fields filled out, bearing the stamp of the trade organization and the signature of the buyer, shall be accepted for warranty repair.

4. Warranty repair is not performed in the following cases:

- in the absence of a Warranty Certificate and a Warranty Card or their incorrect execution;
- with failure of both a rotor and a stator of the electric engine, charring or melting of primary winding of the welding machine transformer, charging or starting-charging device, with internal parts melting, burn down of electronic circuit boards;
- if a Warranty Certificate or a Warranty Card does not correspond to this electric machine or to the form established by the supplier;
- upon expiration of the warranty period;
- at attempts of opening or repair of the electric machine outside the warranty workshop; making constructive changes and lubrication of the tool during the warranty period, as evidenced, for example, by the creases on the spline parts of the fasteners of non-rotational parts.
- when using electric tools for production or other purposes connected with making a profit, as well as in case of malfunctions related to instability of the power network parameters exceeding the norms established by GOST;
- in the events of improper operation (use the electric machine for other than intended purposes, attachments to the electric machine of attachments, accessories, etc. not provided by the manufacturer);
- with mechanical damage to the case, power cord and in case of damages caused by aggressive agents and high and low temperatures, ingress of foreign objects in the ventilation grids of the electric machine, as well

as in case of damage resulting from improper storage (corrosion of metal parts);

- natural wear and tear on the parts of the electric machine, as a result of long-term operation (determined on the basis of the signs of full or partial depletion of the specified mean life, great contamination, presence of rust outside and inside the electric machine, waste lubricant in the gearbox);
- use of the tool for purposes for other than specified in the operating instructions.
- mechanical damages to the tool;
- in the event of damages due to non-observance of the operating conditions specified in the instruction (see chapter "Safety Precautions" of the Manual).
- damage to the product due to non-observance of the rules of storage and transportation.

Preventive maintenance of electric machines (cleaning, washing, lubrication, replacement of anthers, piston and sealing rings) during the warranty period is a paid service.

The service life of the product is 3 years. Shelf life is 2 years. It is not recommended for operation after 2 years of storage from the date of manufacture, which is indicated in the serial number on the label of the instrument, without preliminary verification (for the definition of the date of manufacture, see the User's Manual earlier).

The owner is notified of any possible violations of the above terms of warranty service upon completion of diagnostics in the service center.

The owner of the tool entrusts the diagnostic procedure to be conducted in the service center in his absence.

Do not operate the electric machine when there are signs of excessive heat, sparking, or noise in the gearbox. To determine the cause of the malfunction, the buyer should contact the warranty service center.

Malfunctions caused by late replacement of carbon brushes of the engine are eliminated at the expense of the buyer.

5. The warranty does not cover:

- replacement accessories (accessories and components), for example: batteries, discs, blades, drill bits, borers, chucks, chains, sprockets, collet clamps, guide rails, tension and fastening elements, trimming device heads, base of grinding and belt sander machines, hexagonal heads, etc.,
- fast wearing parts, for example: carbon brushes, drive belts, seals, protective covers,

guiding rollers, guides, rubber seals, bearings, toothed belts and wheels, shanks, brake belts, starter ratchets and ropes, piston rings, etc. Their replacement during the warranty period is a paid service;

- power cords, in case of damage to the insulation, power cords are subject to mandatory replacement without the consent of the owner (paid service);
- tool case.

## Русский

Общие указания по технике безопасности для электроинструментов



**ПРЕДУПРЕЖДЕНИЕ** Прочтите все указания и инструкции по технике безопасности.

Несоблюдение указаний и инструкций по технике безопасности может стать причиной поражения электрическим током, пожара и тяжелых травм.

**Сохраняйте эти инструкции и указания для будущего использования.**

Использованное в настоящих инструкциях и указаниях понятие «электроинструмент» распространяется на электроинструмент с питанием от сети (с сетевым шнуром) и на аккумуляторный электроинструмент (без сетевого шнура).

### Безопасность рабочего места

- ▶ **Содержите рабочее место в чистоте и хорошо освещенным.** Беспорядок или неосвещенные участки рабочего места могут привести к несчастным случаям.
- ▶ **Не используйте электроинструменты во взрывоопасных средах, например, в присутствии легковоспламеняющихся жидкостей, газов или пыли.** Электроинструменты создают искры, которые могут стать причиной воспламенения пыли или паров.
- ▶ **Во время работы электроинструмента не допускайте присутствия детей и других лиц.** Отвлечение внимания может привести к потере контроля.

### Электробезопасность

- ▶ **Штепсельная вилка электроинструмента должна подходить к штепсельной розетке. Ни в коем случае не вносите изменения в штепсельную вилку. Не применяйте переходные штекеры для электроинструментов с защитным заземлением.** Неизменные штепсельные вилки и подходящие штепсельные розетки снижают риск поражения электротоком.
- ▶ **Предотвращайте телесный контакт с заземленными поверхностями, как то: с трубами, элементами отопления, кухонными плитами и холодильниками.** При заземлении Вашего тела повышается риск поражения электротоком.
- ▶ **Защищайте электроинструмент от дождя и сырости.** Проникновение воды в электроинструмент повышает риск поражения электротоком.
- ▶ **Не разрешается использовать шнур**

не по назначению. Никогда не используйте шнур для транспортировки или подвески электроинструмента, или для извлечения вилки из штепсельной розетки. Защищайте шнур от воздействия высоких температур, масла, острых кромок или подвижных частей электроинструмента. Поврежденный или спутанный шнур повышает риск поражения электротоком.

- ▶ **При работе с электроинструментом под открытым небом применяйте пригодные для этого кабелиудлинители.** Применение пригодного для работы под открытым небом кабеля-удлинителя снижает риск поражения электротоком.
- ▶ **Если невозможно избежать применения электроинструмента в сыром помещении, подключайте электроинструмент через устройство защитного отключения.** Применение устройства защитного отключения снижает риск электрического поражения.

### Безопасность людей

- ▶ **Будьте внимательны, следите за тем, что делаете, и продуманно начинайте работу с электроинструментом. Не пользуйтесь электроинструментом в усталом состоянии или под воздействием наркотиков, алкоголя или лекарственных средств.** Один момент невнимательности при работе с электроинструментом может привести к серьезным травмам.
- ▶ **Применяйте средства индивидуальной защиты.** Всегда носите защитные очки. Использование средств индивидуальной защиты, как то: защитной маски, обуви на нескользящей подошве, защитного шлема или средств защиты органов слуха, в зависимости от вида работы с электроинструментом снижает риск получения травм.
- ▶ **Предотвращайте непреднамеренное включение электроинструмента.** Перед тем как подключить электроинструмент к сети и/или к аккумулятору, поднять или переносить электроинструмент, убедитесь, что он выключен. Удержание пальца на выключателе при транспортировке электроинструмента и подключение к сети питания включенного электроинструмента чревато несчастными случаями.
- ▶ **Убирайте установочный инструмент**

или гаечные ключи до включения электроинструмента. Инструмент или ключ, находящийся во вращающейся части электроинструмента, может привести к травмам.

- ▶ **Не принимайте неестественное положение корпуса тела. Всегда занимайте устойчивое положение и сохраняйте равновесие.** Благодаря этому Вы можете лучше контролировать электроинструмент в неожиданных ситуациях.
- ▶ **Носите подходящую рабочую одежду. Не носите широкую одежду и украшения. Держите волосы и одежду вдали от подвижных деталей.** Широкая одежда, украшения или длинные волосы могут быть затянуты вращающимися частями.
- ▶ **При наличии возможности установки пылеотсасывающих и пылесборных устройств проверяйте их присоединение и правильное использование.** Применение пылесоса может снизить опасность, создаваемую пылью.
- ▶ **Хорошее знание электроинструментов, полученное в результате частого их использования, не должно приводить к самоуверенности и игнорированию техники безопасности обращения с электроинструментами.** Одно небрежное действие за долю секунды может привести к серьезным травмам.
- ▶ **ВНИМАНИЕ!** В случае возникновения перебоя в работе электроинструмента вследствие полного или частичного прекращения энергоснабжения или повреждения цепи управления энергоснабжением установите выключатель в положение Выкл., убедившись, что он не заблокирован (при его наличии). Отключите сетевую вилку от розетки или отсоедините съёмный аккумулятор. Этим предотвращается неконтролируемый повторный запуск.

**Применение электроинструмента и обращение с ним**

- ▶ **Не перегружайте электроинструмент. Используйте для работы соответствующий специальный электроинструмент.** С подходящим электроинструментом Вы работаете лучше и надежнее в указанном диапазоне мощности.
- ▶ **Не работайте с электроинструментом при неисправном выключателе.** Электроинструмент, который не поддается

включению или выключению, опасен и должен быть отремонтирован.

- ▶ **Перед тем как настраивать электроинструмент, заменять принадлежность или убирать электроинструмент на хранение, отключите штепсельную вилку от розетки сети и/или выньте, если это возможно, аккумулятор.** Эта мера предосторожности предотвращает непреднамеренное включение электроинструмента.
- ▶ **Храните электроинструменты в недоступном для детей месте. Не разрешайте пользоваться электроинструментом лицам, которые не знакомы с ним или не читали настоящих инструкций.** Электроинструменты опасны в руках неопытных лиц.
- ▶ **Тщательно ухаживайте за электроинструментом и принадлежностями. Проверьте ход движущихся частей электроинструмента, отсутствие поломок или повреждений, отрицательно влияющих на функцию электроинструмента.** Поврежденные части должны быть отремонтированы до использования электроинструмента. Плохое обслуживание электроинструментов является причиной большого числа несчастных случаев.
- ▶ **Держите режущий инструмент в заточенном и чистом состоянии.** Заботливо ухоженные режущие инструменты с острыми режущими кромками режут легче.
- ▶ **Применяйте электроинструмент, принадлежность, рабочие инструменты и т.п. в соответствии с настоящими инструкциями.** Учитывайте при этом рабочие условия и выполняемую работу. Использование электроинструментов для непредусмотренных работ может привести к опасным ситуациям.
- ▶ **Держите ручки и поверхности захвата сухими и чистыми, следите чтобы на них чтобы на них не было жидкой или консистентной смазки.** Скользкие ручки и поверхности захвата препятствуют безопасному обращению с инструментом и не дают надежно контролировать его в непредвиденных ситуациях.

## Сервис

- ▶ **Ремонт электроинструмента должен выполняться только квалифициро-**

ванном персоналом и только с применением оригинальных запасных частей. Этим обеспечивается безопасность электроинструмента.

### Указания по технике безопасности для шлифмашин

- ▶ **Крепко держите электроинструмент во время работы двумя руками и следите за устойчивым положением тела.** Двумя руками Вы можете более надежно вести электроинструмент.
- ▶ **Используйте электроинструмент только для сухого шлифования.** Проникновение воды в электроинструмент повышает риск поражения электротоком.
- ▶ **Внимание: опасность возгорания! Избегайте перегрева шлифуемой поверхности и шлифмашины. Перед перерывами в работе всегда опорожняйте контейнер для пыли.** Пыль от шлифования, накопившаяся в пылевом мешке, микрофилтре, бумажном мешке (или в мешке-филтре / фильтре пылесоса) может при неблагоприятных условиях самовозгореться, напр., от искры при шлифовании металлов. Особенная опасность возникает, когда пыль от шлифования смешивается с остатками лака, полиуретана или других химикатов, а шлифуемая поверхность нагрелась от длительных работ.
- ▶ **Регулярно прочищайте вентиляционные щели электроинструмента.** Вентилятор двигателя затягивает пыль в корпус, и большое скопление металлической пыли может привести к электрической опасности.
- ▶ **Закрепляйте заготовку.** Заготовка, установленная в зажимное приспособление или в тиски, удерживается более надежно, чем в Вашей руке.
- ▶ **Выждите полной остановки электроинструмента и только после этого выпускайте его из рук.**

### Описание продукта и услуг

Прочтите все указания и инструкции по технике безопасности. Упущения в отношении указаний и инструкций по технике безопасности могут стать причиной поражения электрическим током, пожара и тяжелых травм.

### Применение по назначению

Настоящий электроинструмент предназна-

чен для сухого шлифования древесины, синтетических материалов, металлической поверхности, шпаклевочной массы и лакированных поверхностей.

### Технические характеристики

Модель	PSP400-C1
Напряжение	220 В / 50 Гц
Номинальная потребляемая мощность	400 Вт
Частота вращения	6000-11000 об/мин
Размер шлифовальной базы	230X115 мм (4-1/2"X9")
Вес	2,6 кг

### Комплект поставки

Плоскошлифовальная машина	1 шт
Шлифовальный лист	6 шт
Пылесборник	1 шт
Руководство по эксплуатации	1 шт

### Примечание

Так как инструмент P.I.T. постоянно совершенствуется, компания оставляет за собой право вносить изменения в указанные здесь технические характеристики и комплектацию без предварительного уведомления.

### Изображенные составные части

Нумерация представленных компонентов выполнена по изображению на странице с иллюстрациями.

- (1) Колесико установки числа колебаний
- (2) Выключатель
- (3) Контейнер для пыли в сборе (система микрофильтрация)
- (4) Зажимной рычаг
- (5) Шлифовальная плита
- (6) Передняя зажимная планка
- (7) Рукоятка (с изолированной поверхностью)
- (8) Шлифовальный лист
- (9) Выдувной штуцер
- (10) Шланг пылеудаления

### Сборка

- ▶ **Перед любыми манипуляциями с электроинструментом вытаскивайте штепсель из розетки.**

### Удаление пыли и стружки

Пыль некоторых материалов, как напр., красок с содержанием свинца, некоторых сортов древесины, минералов и металлов, может быть вредной для здоровья.

Прикосновение к пыли и попадание пыли в дыхательные пути может вызвать ал-



алергические реакции и/или заболевания дыхательных путей оператора или находящегося вблизи персонала.

Определенные виды пыли, напр., дуба и бука, считаются канцерогенными, особенно совместно с присадками для обработки древесины (хромат, средство для защиты древесины). Материал с содержанием асбеста разрешается обрабатывать только специалистам.

- По возможности используйте пригоуду для материала систему пылеудаления.
- Хорошо проветривайте рабочее место.
- Рекомендуется пользоваться респираторной маской с фильтром класса P2.

Соблюдайте действующие в Вашей стране предписания для обрабатываемых материалов.

► **Избегайте скопления пыли на рабочем месте.** Пыль может легко воспламениться.

#### **Внутренняя система пылеудаления с контейнером для пыли (см. рис. С-Е)**

Наденьте контейнер для пыли на выдувной штуцер. Поверните его так, чтобы вырезы в контейнере для пыли прилегали на верхушках к выдувному штуцеру и контейнер для пыли ощутимо вошел в зацепление.

Заполненность контейнера для пыли легко контролируется через его прозрачные стенки.

Чтобы опорожнить контейнер для пыли, потяните его, слегка поворачивая, назад.

Открутите фильтроэлемент и извлеките его из контейнера для пыли. Опорожните контейнер для пыли.

Слегка выбейте фильтроэлемент о твердую поверхность, чтобы очистить его от пыли. Очистите пластинки фильтроэлемента мягкой щеткой.

**Указание:** Для обеспечения оптимального пылеудаления вовремя опорожняйте контейнер для пыли и регулярно очищайте фильтроэлемент.

При обработке вертикальных поверхностей держите электроинструмент контейнером для пыли вниз.

#### **Внешняя система пылеудаления (см. рис. F)**

Наденьте шланг пылеудаления на выдувной штуцер. Подвиньте (как изображено на рисунке) всасывающий шланг на выдувном штуцере таким образом, чтобы боковые отверстия на выдувном штуцере остались открытыми. Так Вы предотвратите присасывание инструмента к заготовке

в процессе шлифования и снижение качества поверхности заготовки.

Подсоедините шланг пылеудаления к пылесосу.

Пылесос должен быть пригоден для обрабатываемого материала.

Применяйте специальный пылесос для удаления особо вредных для здоровья видов пыли возбудителей рака или сухой пыли.

При обработке вертикальных поверхностей держите электроинструмент шлангом пылеудаления вниз.

#### **Замена шлифовального листа**

Перед установкой нового шлифовального листа удалите грязь и пыль со шлифовальной плиты, напр., щеткой.

Для обеспечения оптимального пылеудаления следите за тем, чтобы вырезы в шлифовальном листе совпадали с отверстиями в шлифовальной плите.

#### **Шлифовальные листы с липучкой (см. рис. B)**

Шлифовальная платформа оснащена системой крепления на крючках и петлях, которая позволяет быстро и легко закрепить шлифовальные листы с аналогичной подложкой.

Нажмите на крючок и петлю крепления шлифовальной платформы перед установкой шлифовального листа, чтобы обеспечить максимальное прижатие.

Приложите абразивный материал с одной стороны шлифовальной плиты заподлицо с краем плиты, затем наложите весь абразивный материал на плиту и хорошо прижмите.

Для снятия абразивного материала возьмитесь за его кончик и снимите его со шлифовальной плиты.

#### **Шлифовальные материалы без липучки (см. рис. A)**

Прижмите зажимной рычаг вниз.

Заведите шлифовальный лист до упора под открытую заднюю прижимную планку и отпустите зажимной рычаг.

Откройте зажимной рычаг.

Плотно приложите шлифовальный лист к шлифовальной плите. Заведите другой конец шлифовального листа под открытую переднюю прижимную планку и зажмите шлифовальный лист зажимным рычагом.

Чтобы снять шлифовальный лист, отпустите зажимной рычаг и прижмите зажимной рычаг вниз. Извлеките шлифовальный лист.

## Специальные шлифовальные платформы

Можно заменить входящую в комплект поставки шлифовальную платформу на приобретаемую в качестве принадлежности специальную шлифовальную плиту.

Установка специальной шлифовальной плиты осуществляется таким же образом, как и платформы в комплекте.

Установка и снятие соответствующей шлифовальной шкурки производится таким же образом, как и при смене оригинальной шлифовальной шкурки.

## Работа с инструментом

### Включение электроинструмента

► **Примите во внимание напряжение в сети! Напряжение источника питания должно соответствовать данным на заводской табличке электроинструмента. Электроинструменты на 230 В могут работать также и при напряжении 220 В.**

### Включение/выключение

► **Убедитесь, что Вы можете приводить в действие выключатель, не отпуская рукоятки.**

Для **включения** электроинструмента нажмите выключатель и держите его нажатым.

Для **фиксирования** выключателя придерживайте его нажатым и дополнительно нажмите кнопку фиксирования.

Для **выключения** электроинструмента отпустите выключатель. При фиксированном выключателе сначала нажмите на него, а потом отпустите.

### Настройка частоты колебаний

При помощи колесика установки числа колебаний можете выбирать необходимое число колебаний, в том числе на работающем инструменте.

Необходимая частота колебаний зависит от материала и условий работы и может быть определена практическим способом.

### Указания по применению

- **Перед любыми манипуляциями с электроинструментом вытаскивайте штепсель из розетки.**
- **Выждите полной остановки электроинструмента и только после этого выпускайте его из рук.**

Продуктивность работы и характер шлифованной поверхности зависят, в основном, от выбранного абразивного материала,

установленного числа колебаний и силы нажатия.

Только безупречные абразивные материалы обеспечивают хорошую производительность и щадят электроинструмент.

Следите за равномерным усилием прижатия, чтобы повысить срок службы абразивного материала.

Чрезмерное повышение усилия прижатия не ведет к повышению производительности, а к более сильному износу электроинструмента и абразивного материала.

Не используйте абразивный материал, которым Вы обрабатывали металл, для обработки других материалов.

Применяйте только оригинальные принадлежности P.I.T.

## Техобслуживание и сервис

### Техобслуживание и очистка

- **Перед любыми манипуляциями с электроинструментом вытаскивайте штепсель из розетки.**
- **Для обеспечения качественной и безопасной работы содержанию электроинструмент и вентиляционные прорези в чистоте.**

Если требуется поменять шнур, во избежание опасности обращайтесь в фирму P.I.T. или в авторизованную сервисную мастерскую для электроинструментов P.I.T.

### Утилизация

Отслужившие свой срок электроинструменты, принадлежности и упаковку следует сдавать на экологически чистую переработку отходов.



Утилизируйте электроинструмент

отдельно от бытового мусора!

## Расшифровка Даты Изготовления Изделия

№. 

1	7	0	7	3	0	0	3	9	5
---	---	---	---	---	---	---	---	---	---

**год    месяц    день**

Дата изготовления изделия зашифрована в серийном номере, напечатанном на корпусе инструмента. Первые 2 цифры обозначают год выпуска, следующие 2 цифры – месяц и следующие 2 цифры – день.



**УСЛОВИЯ ГАРАНТИЙНОГО ОБСЛУЖИВАНИЯ**

1. Настоящее гарантийное свидетельство является единственным документом, подтверждающим ваше право на бесплатное гарантийное обслуживание. Без предъявления данного свидетельства претензии не принимаются. В случае утери или порчи гарантийное свидетельство не восстанавливается.

2. Гарантийный срок на электроинструмент, а также зарядные устройства и аккумуляторные батареи серии OnePower составляет 12 месяцев со дня продажи, в течение гарантийного срока сервисная служба бесплатно устраняет производственные дефекты и производит замену деталей, вышедших из строя по вине изготовителя. На период гарантийного ремонта эквивалентный исправный инструмент не предоставляется. Заменяемые детали переходят в собственность служб сервиса.

Компания Р.І.Т. не несет ответственности за вред, который может быть причинен при работе с электроинструментом.

3. В гарантийный ремонт инструмент принимается в чистом виде, при обязательном наличии надлежащим образом оформленных документов: настоящего гарантийного свидетельства, гарантийного талона, с полностью заполненными полями, штампом торговой организации и подписью покупателя.

4. Гарантийный ремонт не производится в следующих случаях:

- при отсутствии гарантийного свидетельства и гарантийного талона или неправильном их оформлении;
- при совместном выходе из строя якоря и статора электродвигателя, при обугливание или оплавлении первичной обмотки трансформатора сварочного аппарата, зарядного или пуско-зарядного устройства, при оплавлении внутренних деталей, прожиге электронных плат;
- если гарантийное свидетельство или талон не принадлежат данному электроинструменту или не соответствует установленному поставщиком образцу;
- по истечении срока гарантии;
- при попытках самостоятельного вскрытия или ремонта электроинструмента вне гарантийной мастерской;
- внесения конструктивных изменений и смазки инструмента в гарантийный период,

о чем свидетельствуют, например, заломы на шлицевых частях крепежа корпусных деталей.

- при использовании электроинструмента в производственных или иных целях, связанных с получением прибыли, а также при возникновении неисправностей связанных с нестабильностью параметров электросети, превышающих нормы, установленные ГОСТ;

- при неправильной эксплуатации (использование электроинструмента не по назначению, установки на электроинструмент не предназначенных заводом-изготовителем насадок, дополнительных приспособлений и т.п.;

- при механических повреждениях корпуса, сетевого шнура и при повреждениях, вызванных воздействиями агрессивных сред, высоких и низких температур, попадании инородных предметов в вентиляционные решетки электроинструмента, а также при повреждениях, наступивших в результате неправильного хранения (коррозия металлических частей);

- при естественном износе деталей электроинструмента, в результате длительной эксплуатации (определяется по признакам полной или частичной выработки ресурса, сильного загрязнения, ржавчины снаружи и внутри электроинструмента, отработанной смазки в редукторе);

- использование инструмента не по назначению, указанному в инструкции по эксплуатации.

- при механических повреждениях инструмента;

- при возникновении повреждений в связи с несоблюдением предусмотренных инструкцией условий эксплуатации (см. главу «Указание по технике безопасности» в инструкции).

- повреждение изделия вследствие несоблюдения правил хранения и транспортировки.

Профилактическое обслуживание электроинструмента (чистка, промывка, смазка, замена пыльников, поршневых и уплотнительных колец) в гарантийный период является платной услугой.

Срок службы изделия составляет 3 года. Срок хранения – 2 года. Не рекомендуется к эксплуатации по истечении 2 лет хранения с даты изготовления, которая указана в серийном номере на этикетке инструмента, без предварительной проверки (определе-



ние даты выпуска смотрите ранее в Руководстве пользователя).

О возможных нарушениях, изложенных выше условий гарантийного обслуживания, владельцу сообщается после проведения диагностики в сервисном центре.

Владелец инструмента доверяет проведение диагностики в сервисном центре в свое отсутствие.

Запрещается эксплуатация электроинструмента при проявлении признаков повышенного нагрева, искрения, а также шума в редукторной части. Для выяснения причин неисправности покупателю следует обратиться в гарантийную мастерскую.

Неисправности, вызванные несвоевременной заменой угольных щеток двигателя, устраняются за счет покупателя.

5.Гарантия не распространяется на:

- сменные принадлежности (аксессуары и оснастка), например: аккумуляторы, диски, ножи, сверла, буры, патроны, цепи, звездочки, цанговые зажимы, шины, элементы натяжения и крепления, головки триммеров, подошвы шлифовальных и ленточных машин, фильтры, головки шестигранные сменные насадки и т.п.

- быстроизнашивающиеся детали, например: угольные щетки, приводные ремни, сальники, защитные кожухи, направляющие ролики, направляющие, резиновые уплотнения, подшипники, зубчатые ремни и колеса, стволы, ленты тормоза, храповики и тросы стартеров, поршневые кольца и т.п.

Замена их в течение гарантийного срока является платной услугой.

-шнуры питания, в случае повреждения изоляции, подлежат обязательной замене без согласия владельца (услуга платная), в т.ч. корпуса инструмента.



**ГАРАНТИЙНОЕ СВИДЕТЕЛЬСТВО НА ИНСТРУМЕНТ P.I.T.**

Наименование изделия \_\_\_\_\_

Серийный номер изделия □□□□□□□□□□

Серийный номер зарядного устройства □□□□□□□□□□

Дата продажи « \_\_\_\_ » \_\_\_\_\_

Наименование торговой организации \_\_\_\_\_

Уважаемый покупатель!

М.П.

Благодарим Вас за покупку инструмента P.I.T. и надеемся, что Вы останетесь довольны своим выбором.

При необходимости обслуживания Вашего изделия обращайтесь в авторизованные сервисные центры P.I.T. Все сервисные центры представлены на сайте [www.pittools.ru](http://www.pittools.ru)

**Внимание!**

При покупке требуйте у продавца проверки работоспособности инструмента и его комплектности, а также заполнения гарантийного свидетельства, гарантийного талона (графы «Заполняются продавцом») и простановки печати торговой организации в гарантийном свидетельстве и гарантийных талонах.

**Гарантия**

На основании данного гарантийного свидетельства компания P.I.T. гарантирует отсутствие дефектов производственного характера.

Если в течение гарантийного срока в Вашем изделии обнаружатся указанные дефекты, то специализированные сервисные центры P.I.T. бесплатно отремонтируют изделие и заменят дефектные запасные части.

Гарантийный срок на электроинструменты P.I.T. составляет 12 месяцев со дня продажи.

«С условиями гарантийного обслуживания ознакомлен(а). Работоспособность и комплектность изделия проверены в моем присутствии. Претензий к качеству и внешнему виду не имею».

Подпись покупателя \_\_\_\_\_ Фамилия (разборчиво) \_\_\_\_\_

Телефон \_\_\_\_\_

# P.I.T. WARRANTY CARD

Name _____ Serial Number _____ Sale Date _____ 20__ Date of Receipt from Repair _____ 20__	<b>P.I.T.</b>		<b>№ 1</b>
	Name _____		Place of Seal
	Serial Number _____		
	Sale Date _____ 20__		
	(Filled out by a Seller)		
	WARRANTY REPAIR CARD		
	Date of Acceptance for Repair _____ 20__		
	Application for Repair _____		
	Customer _____		
	Phone (Address) _____		
Cause of Application _____			
Date of Receipt from Repair _____ 20__			
The Tool is checked in my presence _____			
(The Order shall be performed in a Service Center) (Signature)			

Name _____ Serial Number _____ Sale Date _____ 20__ Date of Receipt from Repair _____ 20__	<b>P.I.T.</b>		<b>№ 2</b>
	Name _____		Place of Seal
	Serial Number _____		
	Sale Date _____ 20__		
	(Filled out by a Seller)		
	WARRANTY REPAIR CARD		
	Date of Acceptance for Repair _____ 20__		
	Application for Repair _____		
	Customer _____		
	Phone (Address) _____		
Cause of Application _____			
Date of Receipt from Repair _____ 20__			
The Tool is checked in my presence _____			
(The Order shall be performed in a Service Center) (Signature)			

Name _____ Serial Number _____ Sale Date _____ 20__ Date of Receipt from Repair _____ 20__	<b>P.I.T.</b>		<b>№ 3</b>
	Name _____		Place of Seal
	Serial Number _____		
	Sale Date _____ 20__		
	(Filled out by a Seller)		
	WARRANTY REPAIR CARD		
	Date of Acceptance for Repair _____ 20__		
	Application for Repair _____		
	Customer _____		
	Phone (Address) _____		
Cause of Application _____			
Date of Receipt from Repair _____ 20__			
The Tool is checked in my presence _____			
(The Order shall be performed in a Service Center) (Signature)			

## ГАРАНТИЙНЫЙ ТАЛОН P.I.T.

P.I.T.

Талон № 1

Наименование \_\_\_\_\_  
 Серийный номер \_\_\_\_\_  
 Дата продажи « \_\_\_\_ » \_\_\_\_\_ 20\_\_ Place of Seal  
 (Заполняется продавцом)  
 КАРТА ГАРАНТИЙНОГО РЕМОНА  
 Дата приема ремонт \_\_\_\_\_ 20\_\_  
 Заявка на ремонт \_\_\_\_\_  
 Заказчик \_\_\_\_\_  
 Телефон (адрес) \_\_\_\_\_  
 Причина обращения \_\_\_\_\_  
 Дата получения от ремонта \_\_\_\_\_ 20\_\_  
 Инструмент проверен в моем присутствии \_\_\_\_\_  
 (Заказ заполняется в Сервисном Центре) (Подпись)

Наименование \_\_\_\_\_  
 Серийный номер \_\_\_\_\_  
 Дата продажи \_\_\_\_\_ 20\_\_  
 Дата получения от ремонта \_\_\_\_\_ 20\_\_

P.I.T.

Талон № 2

Наименование \_\_\_\_\_  
 Серийный номер \_\_\_\_\_  
 Дата продажи « \_\_\_\_ » \_\_\_\_\_ 20\_\_ Place of Seal  
 (Заполняется продавцом)  
 КАРТА ГАРАНТИЙНОГО РЕМОНА  
 Дата приема ремонт \_\_\_\_\_ 20\_\_  
 Заявка на ремонт \_\_\_\_\_  
 Заказчик \_\_\_\_\_  
 Телефон (адрес) \_\_\_\_\_  
 Причина обращения \_\_\_\_\_  
 Дата получения от ремонта \_\_\_\_\_ 20\_\_  
 Инструмент проверен в моем присутствии \_\_\_\_\_  
 (Заказ заполняется в Сервисном Центре) (Подпись)

Наименование \_\_\_\_\_  
 Серийный номер \_\_\_\_\_  
 Дата продажи \_\_\_\_\_ 20\_\_  
 Дата получения от ремонта \_\_\_\_\_ 20\_\_

P.I.T.

Талон № 3

Наименование \_\_\_\_\_  
 Серийный номер \_\_\_\_\_  
 Дата продажи « \_\_\_\_ » \_\_\_\_\_ 20\_\_ Place of Seal  
 (Заполняется продавцом)  
 КАРТА ГАРАНТИЙНОГО РЕМОНА  
 Дата приема ремонт \_\_\_\_\_ 20\_\_  
 Заявка на ремонт \_\_\_\_\_  
 Заказчик \_\_\_\_\_  
 Телефон (адрес) \_\_\_\_\_  
 Причина обращения \_\_\_\_\_  
 Дата получения от ремонта \_\_\_\_\_ 20\_\_  
 Инструмент проверен в моем присутствии \_\_\_\_\_  
 (Заказ заполняется в Сервисном Центре) (Подпись)

Наименование \_\_\_\_\_  
 Серийный номер \_\_\_\_\_  
 Дата продажи \_\_\_\_\_ 20\_\_  
 Дата получения от ремонта \_\_\_\_\_ 20\_\_



www.pit-tools.com

# P.I.T.

**Поставщик / производитель:** Xinjiang Longbo Industrial Co., Ltd./Синьцзян Лонгбо Индастриал Ко., Лтд.

**Адрес производства:** Rm. 602, 6th Floor, No. 531, Weixing Road, Economic And Technological Development Zone, Urumqi, Xinjiang, China / Оф.602, 6 этаж, №531, Вейшинг Род, Экономик Энд Технолджикал Девелопмент Зон, Урумчи, Синьцзян, Китай

**Импортер/ организация, уполномоченная принимать претензии:** ООО «Турбо-Тулс»  
**Юридический адрес:** 117246, г. Москва, ул. Херсонская, 43 - 670

**Вопросы и предложения направляйте по адресу:** 614058, г. Пермь, ул. Фоминская, 36  
**Горячая линия по сервисному обслуживанию:**



**\*2445**

Звонок с мобильного  
бесплатный

[info@pittools.ru](mailto:info@pittools.ru)

Сделано в КНР / Made in China

**EAC**