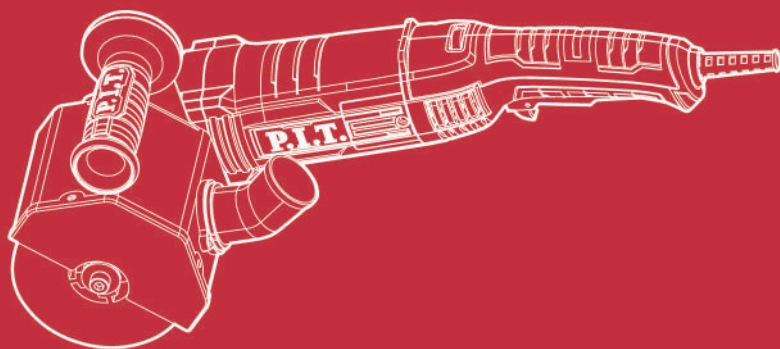


P.I.T.

PWP120-C1



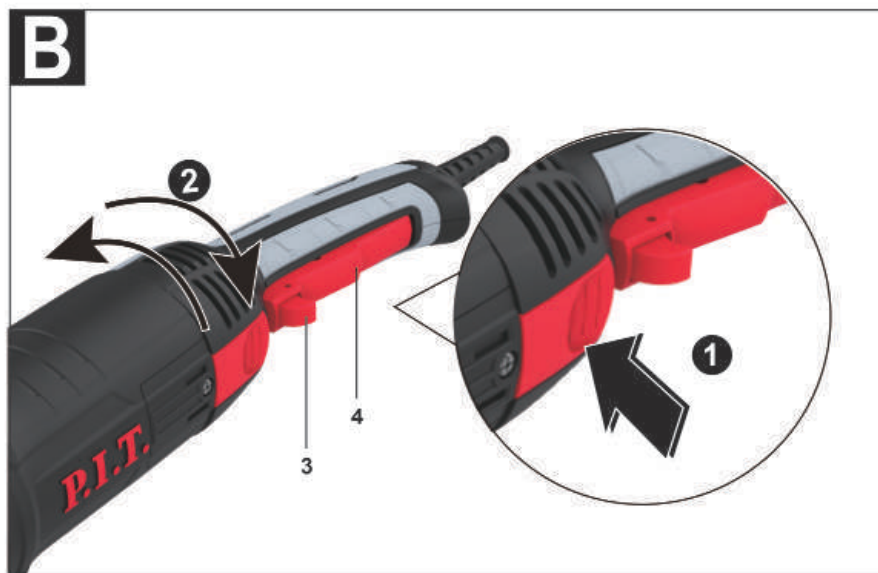
BURNISHING POLISHER

1500W

**Powerful
Efficient**

Please read the instruction manual carefully before use!





English

Safety Notes

General Power Tool Safety Warnings



WARNING Read all safety warnings and all instructions.

Failure to follow the warnings and instructions may result in electric shock, fire and/or serious injury.

Save all warnings and instructions for future reference.

The term “power tool” in the warnings refers to your mainsoperated (corded) power tool or battery-operated (cordless) power tool.

Work area safety

- ▶ **Keep work area clean and well lit.** Cluttered or dark areas invite accidents.
- ▶ **Do not operate power tools in explosive atmospheres.** such as in the presence of flammable liquids, gases or dust. Power tools create sparks which may ignite the dust or fumes.
- ▶ **Keep children and bystanders a way while operating a power tool.** Distractions can cause you to lose control.

Electrical safety

- ▶ **Power tool plugs must match the outlet. Never modify the plug in any way. Do not use any adapter plugs with earthed (grounded) power tools.** Unmodified plugs and matching outlets will reduce risk of electric shock.
- ▶ **Avoid body contact with earthed or grounded surfaces, such as pipes, radiators, ranges and refrigerators.** There is an increased risk of electric shock if your body is earthed or grounded.
- ▶ **Do not expose power tools to rain or wet conditions.** Water entering a power tool will increase the risk of electric shock.
- ▶ **Do not abuse the cord. Never use the cord for carrying, pulling or unplugging the power tool. Keep cord away from heat, oil, sharp edges and moving parts.** Damaged or entangled cords increase the risk of electric shock.
- ▶ **When operating a power tool outdoors, use an extension cord suitable for outdoor use.** Use of a cord suitable for outdoor use reduces the risk of electric shock.
- ▶ **If operating a power tool in a damp location is unavoidable, use a residual current device (RCD) protected supply.** Use of an rcd reduces the risk of electric shock. NOTE The term “residual current device (RCD)” may be replaced by the term “ground fault circuit interrupter (GFCI)” or

“earth leakage circuit breaker (ELCB)”.

Personal safety

- ▶ **Stay alert, watch what you are doing and use common sense when operating a power tool. Do not use a power tool while you are tired or under the influence of drugs, alcohol or medication.** A moment of inattention while operating power tools may result in serious personal injury.
- ▶ **Use safety equipment. Always wear eye protection.** Safety equipment such as dust mask, non-skid safety shoes, hard hat, or hearing protection used for appropriate conditions will reduce personal injuries.
- ▶ **Prevent unintentional starting. Ensure the switch is in the off-position before connecting to power source and/or battery pack, picking up or carrying the tool.** Carrying power tools with your finger on the switch or energising power tools that have the switch on invites accidents.
- ▶ **Remove any adjusting key or wrench before turning the power tool on.** A wrench or a key left attached to a rotating part of the power tool may result in personal injury.
- ▶ **Do not overreach. Keep proper footing and balance at all times.** This enables better control of the power tool in unexpected situations.
- ▶ **Dress properly. Do not wear loose clothing or jewellery. Keep your hair, clothing and gloves away from moving parts.** Loose clothes, jewellery or long hair can be caught in moving parts.
- ▶ **Keep the handles and gripping surfaces dry and clean and free of oil or grease.** Slippery handles and gripping surfaces prevent safe handling with the tool and do not give reliably control it in unforeseen situations.
- ▶ **If devices are provided for the connection of dust extraction and collection facilities, ensure these are connected and properly used.** Use of dust collection can reduce dust-related hazards.

Service

- ▶ **Have your power tool serviced by a qualified repair person using only identical replacement parts.** This will ensure that the safety of the power tool is maintained.

Special Safety Instructions

Hold power tool by insulated gripping surfaces, Cutting a “live” wire may make exposed metal parts of the tool “live” and could give the operator’ an electric shock.

Flying sparks are created when sanding metal.Ensure that no persons are in danger. Due to the risk of fire, all combustible materials must be removed from the work area (area affected by flying sparks).

During machining, of metals in particular, conductive dust can form deposits inside the machine. This can lead 1 the transfer of electrical energy onto the machin housing. This can mean a temporary danger of electric shocks. This is why it is necessary when the machine is running to blow compressed air through the rear ventilation slots of the machine regularly, frequently and thoroughly. Here, the machine must be held firmly.

We recommend using a stationary extractor system and connecting a residual current circuitbreaker (FI) upstream. When the machine is shut down via the FI circuit-breaker, it must be checked and cleaned. See chapter 8 Cleaning for more information on cleaning the motor.

Dust from material such as paint containing lead,some wood species, minerals and metal may be harmful. Contact with or inhalation of the dust may cause allergic reactions and/ or respiratory diseases to the operator or bystanders.

Certain kinds of dust are classified as carcinogenic such as oak and beech dust especially in conjunction with additives for wood conditioninQ (chromate,wood preservative). Material containing asbestos must only be treated by specialists.

- ▶ Where the use of a dust extraction device is possible it shall be used.
- ▶ The work place must be well ventilated.
- ▶ The use of a dust mask of filter class P2 is recommended.

Observe the regulations in force in your country for the processed materials.

Materials that generate dusts or vapours that may be harmful to health must not be processed.

Wear ear protectors. Exposure to noise can cause hearing loss.

Wear protective gloves.



Always wear protective goggles.

Secure the workpiece against slipping, e.g. with the help of clamping devices.

Always guide the machine with both hands on the handles provided. Loss of control can cause personal injury.

Never place your hand near rotating parts of the device or near the rotating grinding wheel. Remove sanding dust and similar material only when the machine is not in operation.

Pull the plug out of the plug socket before any adjustments, conversions or servicing are performed.

Product Description and Specifications



Read all safety warnings and all instructions. Failure to follow the warnings and instructions may result in electric shock, fire and/or serious

injury.

Intended Use

The brush grinder is designed for surface cleaning, sanding, polishing, satin finishing and brushing of wood and metal surfaces without water supply.

Product Features

The numbering of the product features refers to the diagram of the power tool on the graphics page.

- (1) Spindle
- (2) Speed control thumbwheel
- (3) Self-locking button
- (4) On/off switch
- (5) Protection/dust cover
- (6) Auxiliary handle
- (7) Burnishing head
- (8) Flange
- (9) Burnishing head fixing screw
- (10) Side cover
- (11) Side cover fixing screws
- (12) Vacuum cleaner adapter
- (13) Fixing screw of vacuum cleaner adapter
- (14) Nut for protection/dust cover
- (15) Fixing screws for protection/dust cover
- (16) Spindle lock button
- (17) Dust outlet cover
- (18) Phillips screwdriver hex key
- (19) Hex key
- (20) Shaft key

Technical Data

Model	PWP120-C1
Rated Voltage	220 V~/50 Hz
Rated Power	1500 W
Rated no-load speed	600-3500 r/min
Mixing diameter	φ120 mm

Model	PWP120-C1
Output shaft thread	M8
Weight	3.75 kg

Contents of delivery

Burnishing polisher	1 pc
Additional handle	1 pc
Phillips screwdriver hex key	1 pc
Hex key	1 pc
Dust outlet cover	1 pc
Burnishing head	1 pc
Vacuum cleaner adapter	1 pc
Square pin	2 pcs
Hexagon socket screws with washer	1 set
User manual	1 pc

Note

Since the product is constantly being improved, P.I.T. reserves the right to make changes to the specifications and product specifications specified here without prior notice.

Assembly

See Figure A

-Unscrew the fastening screws and remove the protective cover.

-Lock the spindle by pressing the spindle lock button.

-Using the hex key, unscrew the screw that secures the brush and remove hold-down washer seeker.

-Install the brush on the spindle.

ATTENTION!

-Assembly is performed in reverse sequence.

ATTENTION: Make sure the spindle lock button is back to its original position.

Switch handle mounting positions (Fig. B)

The switch handle can be rotated to either 90° left or right to fit your work needs. First, unplug the tool.

Press the lock button and rotate the switch handle until the lock button automatically lock again. The switch handle will be locked in that position.

Switching on/off (Fig. C)

CAUTION:

Before plugging in the tool, always check to see that the switch trigger actuates properly and returns to the "OFF" position when released.

To prevent the trigger from being accidentally actuated, a lock lever is provided. To start the tool, push the lock lever in and then pull the trigger. Release the trigger to stop.

Initial Operation

⚠ WARNING Before plugging in, check that the rated mains voltage and mains frequency, as stated on the rating label, match with your power supply.

Use

On/Off switch, continuous activation

- ▶ Always guide the machine with both hands.
- ▶ The machine must not be allowed to draw in additional dust and shavings. When switching the machine on and off, keep it away from dust deposits.
- ▶ After switching off the machine, only place it down when the motor has come to a standstill.
- ▶ In continuous operation, the machine continues running if it is forced out of your hands. Therefore, always hold the machine using the handles provided, stand in a safe position and concentrate.

Switching on/Continuous activation: Push sliding switch forward. For continuous activation, now tilt downwards until it engages.

Switching off: Press the rear end of the slide switch and release.

ATTENTION! Stick to the following operating mode with the tool!

After continuous work for 15-20 minutes, you must turn off the tool, you can resume work in 5-10 minutes.

Maintenance and service

Maintenance and cleaning

- ▶ Before any manipulation with pull out with a power tool plug from the socket.
- ▶ To ensure good and safe operation, keep the power tool and ventilation the slots are clean.
- ▶ Under extreme working conditions always use whenever possible dust removal device. Blow out the ventilation slots frequently and connect the instrument through residual current device.

When metalworking occurs, conductive dust can build up inside the power tool. Doing so can damage the protective insulation of the power tool.

Check regularly that all screws are secure. If you find a loose screw, tighten it immediately. Otherwise, you put yourself at risk of injury.

Store and handle accessories with care. If it is necessary to change the cord, to avoid a hazard, contact an Authorized P.I.T. Power Tool Service Center.

The list of authorized service centers can be viewed on the official website of P.I.T. by the link: <https://pittools.ru/services/>.

Dispose of waste

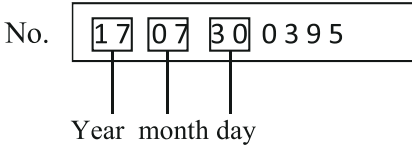
Damaged power tools, batteries, accessories and waste packaging materials must be recycled and reused in an environmentally friendly manner.



Do not throw power tools and accumula-

tors / batteries into general household waste!

Product serial number interpretation serial number



The first and second digits of the product serial number from left to right

Year of production, the third and fourth digits indicate the month of production, the

The fifth and sixth digits indicate the production day.

TERMS OF WARRANTY SERVICE

1. This Warranty Certificate is the only document that confirms your right to free warranty service. Without presenting this certificate, no claims are accepted. In case of loss or damage, the warranty certificate is not restored.

2. The warranty period for the electric machine is 12 months from the date of sale, during the warranty period the service department eliminates manufacturing defects and replaces parts that have failed due to the fault of the manufacturer free of charge. In the warranty repair, an equivalent operable product is not provided. Replaceable parts become property of service providers.

P.I.T. is not liable for any damage that may be caused by operation of the electric machine.

3. Only clean tool accompanied with the following duly executed documents: this Warranty Certificate, Warranty Card, with all fields filled out, bearing the stamp of the trade organization and the signature of the buyer, shall be accepted for warranty repair.

4. Warranty repair is not performed in the following cases:

- in the absence of a Warranty Certificate and a Warranty Card or their incorrect execution;
- with failure of both a rotor and a stator of the electric engine, charring or melting of primary winding of the welding machine transformer,

charging or starting-charging device, with internal parts melting, burn down of electronic circuit boards;

- if a Warranty Certificate or a Warranty Card does not correspond to this electric machine or to the form established by the supplier;

- upon expiration of the warranty period;

- at attempts of opening or repair of the electric machine outside the warranty workshop; making constructive changes and lubrication of the tool during the warranty period, as evidenced, for example, by the creases on the spline parts of the fasteners of non-rotational parts.

- when using electric tools for production or other purposes connected with making a profit, as well as in case of malfunctions related to instability of the power network parameters exceeding the norms established by GOST;

- in the events of improper operation (use the electric machine for other than intended purposes, attachments to the electric machine of attachments, accessories, etc. not provided by the manufacturer);

- with mechanical damage to the case, power cord and in case of damages caused by aggressive agents and high and low temperatures, ingress of foreign objects in the ventilation grids of the electric machine, as well as in case of damage resulting from improper storage (corrosion of metal parts);

- natural wear and tear on the parts of the electric machine, as a result of long-term operation (determined on the basis of the signs of full or partial depletion of the specified mean life, great contamination, presence of rust outside and inside the electric machine, waste lubricant in the gearbox);

- use of the tool the purposes for other than specified in the operating instructions.

- mechanical damages to the tool;

- in the event of damages due to non-observance of the operating conditions specified in the instruction (see chapter "Safety Precautions" of the Manual).

- damage to the product due to non-observance of the rules of storage and transportation.

- in case of strong internal contamination of the tool.

Preventive maintenance of electric machines (cleaning, washing, lubrication, replacement of anthers, piston and sealing rings) during the warranty period is a paid service.

The service life of the product is 3 years. Shelf life is 2 years. It is not recommended for oper-

ation after 2 years of storage from the date of manufacture, which is indicated in the serial number on the label of the instrument, without preliminary verification (for the definition of the date of manufacture, see the User's Manual earlier).

The owner is notified of any possible violations of the above terms of warranty service upon completion of diagnostics in the service center.

The owner of the tool entrusts the diagnostic procedure to be conducted in the service center in his absence.

Do not operate the electric machine when there are signs of excessive heat, sparking, or noise in the gearbox. To determine the cause of the malfunction, the buyer should contact the warranty service center.

Malfunctions caused by late replacement of carbon brushes of the engine are eliminated at the expense of the buyer.

5. The warranty does not cover:

- replacement accessories (accessories and components), for example: batteries, discs, blades, drill bits, borers, chucks, chains, sprockets, collet clamps, guide rails, tension and fastening elements, trimming device heads, base of grinding and belt sander machines, hexagonal heads, etc.,
- fast wearing parts, for example: carbon brushes, drive belts, seals, protective covers, guiding rollers, guides, rubber seals, bearings, toothed belts and wheels, shanks, brake belts, starter ratchets and ropes, piston rings, etc. Their replacement during the warranty period is a paid service;
- power cords, in case of damage to the insulation, power cords are subject to mandatory replacement without the consent of the owner (paid service);
- tool case.

Русский

Общие указания по технике безопасности для электроинструментов

⚠ ПРЕДУПРЕЖДЕНИЕ Прочтите все

указания и инструкции по технике безопасности. Несоблюдение указаний и инструкций по технике безопасности может стать причиной поражения электрическим током, пожара и тяжелых травм.

Сохраняйте эти инструкции и указания для будущего использования.

Использованное в настоящих инструкциях и указаниях понятие «электроинструмент» распространяется на электроинструмент с питанием от сети (с сетевым шнуром) и на аккумуляторный электроинструмент (без сетевого шнура).

Безопасность рабочего места

- ▶ **Содержите рабочее место в чистоте и хорошо освещенным.** Беспорядок или неоsvещенные участки рабочего места могут привести к несчастным случаям.
- ▶ **Не работайте с этим электроинструментом во взрывоопасном помещении, в котором находятся горючие жидкости, воспламеняющиеся газы или пыль.** Электроинструменты искрят, что может привести к воспламенению пыли или паров.
- ▶ **Во время работы с электроинструментом не допускайте близко к Вашему рабочему месту детей и посторонних лиц.** Отвлечшись, Вы можете потерять контроль над электроинструментом.

Электробезопасность

- ▶ **Штепсельная вилка электроинструмента должна подходить к штепсельной розетке.** Ни в коем случае не изменяйте штепсельную вилку. Не применяйте переходные штекеры для электроинструментов с защитным заземлением. Неизмененные штепсельные вилки и подходящие штепсельные розетки снижают риск поражения электротоком.
- ▶ **Предотвращайте телесный контакт заземленными поверхностями, как то: с трубами, элементами отопления, кухонными плитами и холодильниками.** При заземлении Вашего тела повышается риск поражения электротоком.
- ▶ **Защищайте электроинструмент от дождя и сырости.** Проникновение воды в электроинструмент повышает риск

поражения электротоком.

- ▶ **Не разрешается использовать шнур не по назначению, например, для транспортировки или подвески электроинструмента, или для вытягивания вилки из штепсельной розетки.** Защищайте шнур от воздействия высоких температур, масла, острых кромок или подвижных частей электроинструмента. Поврежденный или спутанный шнур повышает риск поражения электротоком.
- ▶ **При работе с электроинструментом под открытым небом применяйте пригодные для этого кабели удлинители.** Применение пригодного для работы под открытым небом кабеля-удлинителя снижает риск поражения электротоком.
- ▶ **Если невозможно избежать применения электроинструмента в сыром помещении, подключайте электроинструмент через устройство защитного отключения.** Применение устройства защитного отключения снижает риск электрического поражения.

Безопасность людей

- ▶ **Будьте внимательны, следите за тем, что делаете, и продуманно начинайте работу с электроинструментом.** Не пользуйтесь электроинструментом в усталом состоянии или под воздействием наркотиков, алкоголя или лекарственных средств. Один момент невнимательности при работе с электроинструментом может привести к серьезным травмам.
- ▶ **Применяйте средства индивидуальной защиты.** Всегда носите защитные очки. Использование средств индивидуальной защиты, как то: защитной маски, обуви на нескользящей подошве, защитного шлема или средств защиты органов слуха, в зависимости от вида работы с электроинструментом снижает риск получения травм.
- ▶ **Предотвращайте непреднамеренное включение электроинструмента.** Перед подключением электроинструмента к электропитанию и/или к аккумулятору убедитесь в выключенном состоянии электроинструмента. Удержание пальца на выключателе при транспортировке электроинструмента и подключение к сети питания включенного электроинструмента чревато несчаст-

ными случаями.

- ▶ **Убирайте установочный инструмент или гаечные ключи до включения электроинструмента.** Инструмент или ключ, находящийся во вращающейся части электроинструмента, может привести к травмам.
- ▶ **Не принимайте неестественное положение корпуса тела. Всегда занимайте устойчивое положение и со-храняйте равновесие.** Благодаря этому Вы можете лучше контролировать электроинструмент в неожиданных ситуациях.
- ▶ **Носите подходящую рабочую одежду. Не носите широкую одежду и украшения. Держите волосы, одежду и рукавицы вдали от движущихся частей.** Широкая одежда, украшения или длинные волосы могут быть затянуты вращающимися частями.
- ▶ **При наличии возможности установки пылеотсасывающих и пылесборных устройств проверяйте их присоединение и правильное использование.** Применение пылеотсоса может снизить опасность, создаваемую пылью.
- ▶ **ВНИМАНИЕ! В случае возникновения перебоя в работе электроинструмента вследствие полного или частичного прекращения энергоснабжения или повреждения цепи управления энергоснабжением установите выключатель в положение Выкл., убедившись, что он не заблокирован (при его наличии). Отключите сетевую вилку от розетки или отсоедините съёмный аккумулятор.** Этим предотвращается неконтролируемый повторный запуск.
- ▶ **Квалифицированный персонал в соответствии с настоящим руководством подразумевает лиц, которые знакомы с регулировкой, монтажом, вводом эксплуатацию обслуживанием электроинструмента.**
- ▶ **К работе с электроинструментом допускаются лица не моложе 18 лет, изучившие техническое описание, инструкцию по эксплуатации и правила безопасности.**
- ▶ **Изделие не предназначено для использования лицами (включая детей) с пониженными физическими, чувственными или умственными способностями или при отсутствии у них опыта или знаний,**

если они не находятся под контролем или не проинструктированы об использовании электроинструмента лицом, ответственным за их безопасность.

Применение электроинструмента и обращение с ним

- ▶ **Не перегружайте электроинструмент. Используйте для Вашей работы предназначенный для этого электроинструмент.** С подходящим электроинструментом Вы работаете лучше и надежнее в указанном диапазоне мощности.
- ▶ **Не работайте с электроинструментом при неисправном выключателе.** Электроинструмент, который не поддается включению или выключению, опасен и должен быть отремонтирован.
- ▶ **До начала наладки электроинструмента, перед заменой принадлежностей и прекращением работы отключайте штепсельную вилку от розетки сети и/или выньте аккумулятор.** Эта мера предосторожности предотвращает непреднамеренное включение электроинструмента.
- ▶ **Храните электроинструменты в недоступном для детей месте. Не разрешайте пользоваться электроинструментом лицам, которые не знакомы с ним или не читали настоящих инструкций.** Электроинструменты опасны в руках неопытных лиц.
- ▶ **Тщательно ухаживайте за электроинструментом. Проверяйте безупречную функцию и ход движущихся частей электроинструмента, отсутствие поломок или повреждений, отрицательно влияющих на функцию электроинструмента. Поврежденные части должны быть отремонтированы до использования электроинструмента.** Плохое обслуживание электроинструментов является причиной большого числа несчастных случаев.
- ▶ **Держите режущий инструмент в заточенном и чистом состоянии.** Заботливо ухоженные режущие инструменты с острыми режущими кромками режут лучше и их легче вести.
- ▶ **Держите рукоятки и поверхности хвата сухими и чистыми, следите чтобы на них чтобы на них не было жидкой или консистентной смазки.** Скользкие рукоятки и поверхности захвата препятствуют безопасному обращению

с инструментом и не дают надежно контролировать его в непредвиденных ситуациях.

- ▶ **Применяйте электроинструмент, принадлежность, рабочие инструменты и т. п. в соответствии с настоящими инструкциями. Учитывайте при этом рабочие условия и выполняемую работу.** Использование электроинструментов для непредусмотренных работ может привести к опасным ситуациям.

Сервис

- ▶ **Ремонт Вашего электроинструмента поручайте только квалифицированному персоналу и только с применением оригинальных запасных частей.** Этим обеспечивается безопасность электроинструмента.

Специальные инструкции по технике безопасности

Держите электроинструмент за изолированные поверхности, повреждение скрытой проводки может привести к поражению оператора электрическим током.

При шлифовке металла образуются летящие искры. Убедитесь в том, что никто не подвергается опасности. Из-за опасности возгорания все горючие материалы должны быть удалены из рабочей зоны (зона, подверженная воздействию летящих искр). В частности, при обработке металлов внутри машины может образовываться проводящая пыль. Это может привести к передаче электрической энергии на корпус машины. Это может привести к поражению электрическим током. Поэтому при работе машины необходимо периодически тщательно продувать машину сжатым воздухом через задние вентиляционные отверстия. Машину необходимо надежно удерживать.

Мы рекомендуем использовать стационарный вытяжной патрубок и подключить к нему автоматический выключатель остаточного тока (FI). Когда машина выключается через автоматический выключатель, ее необходимо проверить и очистить. Дополнительную информацию по очистке двигателя см. в главе «Очистка».

Пыль от таких материалов, как краска, содержащая свинец, некоторые древесные породы, минералы и металл могут быть вредными. Контакт с пылью или ее вдыхание могут вызвать аллергические реакции и/или респираторные заболевания у опера-

тора или посторонних лиц.

Некоторые виды пыли классифицируются как канцерогенная, например, дубовая и буковая пыль, особенно в сочетании с добавками для кондиционирования древесины (хромат, консервант для древесины). Материал, содержащий асбест, должен обрабатываться только специалистами.

Там, где возможно использование пылеулавливающего устройства, оно должно использоваться.

Рабочее место должно хорошо проветриваться.

Рекомендуется использовать пылезащитную маску класса фильтрации P2.

Нельзя перерабатывать материалы, выделяющие пыль или пары, которые могут нанести вред здоровью.

Носите средства защитные наушники. Воздействие шума может привести к потере слуха.



Всегда носите защитные очки.

Зафиксируйте заготовку от соскальзывания, например, с помощью зажимных приспособлений.

Всегда удерживайте машину обеими руками за комплектные рукоятки. Потеря управления может привести к травме.

Не подносите руки к вращающимся частям устройства или к вращающемуся шлифовальному кругу.

Удаляйте пыль от шлифовки и другие подобные материалы только при выключенной машине.

Выньте штепсельную вилку из розетки перед проведением регулировки, переоборудования или техобслуживания.

Описание и спецификации продукта



Прочитайте все предупреждения

и инструкции по технике безопасности. Несоблюдение предупреждений и инструкций может привести к поражению электрическим током, пожару и/или серьезной травме.

Назначение

Щеточная шлифмашина предназначена для зачистки поверхности, шлифования, полирования, сатинирования и брашировки поверхности древесины и металла без подачи воды.

Устройство щеточной шлифмашины

Обозначение частей инструмента представлено на рисунке А.

- (1) Шпиндель
- (2) Регулятор оборотов
- (3) Кнопка блокировки выключателя
- (4) Выключатель
- (5) Защитный кожух
- (6) Дополнительная рукоятка
- (7) Щетка
- (8) Шайба прижимная
- (9) Винт крепления щетки
- (10) Боковая защитная крышка
- (11) Винты крепления боковой крышки
- (12) Адаптер подключения пылесоса
- (13) Винты крепления адаптера
- (14) Гайка
- (15) Винты крепления защитного кожуха
- (16) Кнопка блокировки шпинделя
- (17) Заглушка пылеотвода
- (18) Ключ Phillips
- (19) Ключ шестигранный
- (20) Шпонка вала

Технические характеристики

Модель	PWP120-C1
Напряжение/частота тока	220 В /50 Гц
Номинальная мощность	1500 Вт
Частота вращения	600-3500 об/мин
Размер щетки (длина/диаметр)	φ120 мм
Резьба выходного вала	M8
Вес	3,75 кг

Комплект поставки

Щеточная шлифмашина	1 шт
Дополнительная ручка	1 шт
Шестигранный ключ для отвертки Phillips	1 шт
Ключ шестигранный	1 шт
Крышка выпускного отверстия для пыли	1 шт
Полировальная головка	1 шт
Адаптер для пылесоса	1 шт
Квадратный штифт	2 шт
Винты с внутренним шестигранником и шайбой	1 компл
Руководство пользователя	1 шт

Примечание

Так как продукт постоянно совершенствуется, P.I.T. оставляет за собой право вносить

изменения в указанные здесь технические характеристики и комплектацию продукта без предварительного уведомления.

Сборка/замена щетки

Смотрите рисунок А

- Открутите винты крепления и снимите крышку защитного кожуха.

- Заблокируйте шпиндель нажатием кнопки блокировки шпинделя.

- При помощи шестигранного ключа открутите винт крепления щетки и снимите прижимную шайбу и щетку.

- Установите щетку на шпиндель.

ВНИМАНИЕ!

- Сборка производится в обратной последовательности.

ВНИМАНИЕ! Убедитесь, что кнопка блокировки шпинделя вернулась в исходное положение.

Монтажные положения рукоятки переключателя (рис.В)

Рукоятку переключателя можно поворачивать на 90 ° влево или вправо в зависимости от ваших рабочих потребностей. Сначала отключите инструмент от сети.

Нажмите кнопку блокировки и поверните ручку переключателя, пока кнопка блокировки снова не заблокируется автоматически. Ручка переключателя будет заблокирована в этом положении.

Предупреждение:(рис.С)

Перед подключением инструмента всегда проверяйте, что триггерный переключатель срабатывает правильно и возвращается в положение «ВЫКЛ» при отпускании.

Для предотвращения случайного срабатывания спускового крючка предусмотрен рычаг блокировки. Чтобы запустить инструмент, нажмите на рычаг блокировки, а затем нажмите на спусковой крючок. Отпустите курок, чтобы остановиться.

Подготовка к работе



ПРЕДУПРЕЖДЕНИЕ Перед подключением проверьте соответствие номинального напряжения и частоты сети, с указанными техническими характеристиками машины.

- осмотрите машину и убедитесь в её комплектности и отсутствии внешних повреждений, а также проверьте надежность всех резьбовых соединений;

- после транспортировки в зимних условиях перед включением выдержите машину при комнатной температуре до полного

высыхания конденсата.

Работа

Включение/выключение, непрерывная работа

- ▶ Всегда удерживайте машину обеими руками.
- ▶ Следите за тем, чтобы инструмент не втягивал излишнюю пыль и опилки. При включении и выключении машины держите ее подальше от скопившейся пыли.
- ▶ Не кладите машину до полной остановки двигателя.
- ▶ После выключения машина продолжает вращаться некоторое время. Для исключения выхода машины из-под контроля всегда удерживайте ее за предоставленные рукоятки, стойте в безопасном положении и сконцентрируйтесь на работе.

Включение/ Непрерывная работа

Нажмите на кнопку блокировки выключателя и затем нажмите и удерживайте выключатель.

Выключение

Для остановки машины отпустите выключатель.

ВНИМАНИЕ! Придерживайтесь следующего режима работ с инструментом!

После непрерывной работы в течение 15-20 минут необходимо выключить инструмент, возобновить работу можно через 5-10 минут.

Техобслуживание и сервис

Техобслуживание и очистка

- ▶ Перед любыми манипуляциями с электроинструментом вытаскивайте штепсель из розетки.
- ▶ Для обеспечения качественной и безопасной работы содержите электроинструмент и вентиляционные прорези в чистоте.
- ▶ При экстремальных условиях работы всегда используйте по возможности устройство пылеудаления. Часто продувайте вентиляционные щели и подключайте инструмент через устройство защитного отключения.

При обработке металлов внутри электроинструмента может откладываться токопроводящая пыль. Это может нанести ущерб защитной изоляции электроинструмента. Регулярно проверяйте надежность крепления всех винтов. При обнаружении ослабленного винта немедленно затяните его.

В противном случае Вы подвергаете себя риску получения травмы.

Заботливо храните и обращайтесь с принадлежностями. Если требуется поменять шнур, во избежание опасности обращайтесь в авторизованную сервисную мастерскую для электроинструментов P.I.T.

Список авторизованных сервисных центров можно посмотреть на официальном сайте P.I.T. по ссылке: <https://pittools.ru/services/>.

Хранение/транспортировка

Во время назначенного срока службы, храните машину в сухом отапливаемом помещении. Рекомендуемая температура хранения от плюс 5 °С до плюс 40 °С. Храните машину в фирменной упаковке.

Перевозите машину в фирменной упаковке.

Хранение/транспортировка

Во время назначенного срока службы, храните машину в сухом отапливаемом помещении. Рекомендуемая температура хранения от плюс 5 °С до плюс 40 °С. Храните машину в фирменной упаковке.

Перевозите машину в фирменной упаковке.

Утилизация

Отслужившие свой срок электроинструменты, принадлежности и упаковку следует сдавать на экологически чистую переработку отходов.



Утилизируйте электроинструмент

отдельно от бытового мусора!

РАШИФРОВКА ДАТЫ ИЗГОТОВЛЕНИЯ ИЗДЕЛИЯ

№.

1	7	0	7	3	0	0	3	9	5
---	---	---	---	---	---	---	---	---	---

год месяц день

Дата изготовления изделия зашифрована в серийном номере, напечатанном на корпусе инструмента. Первые 2 цифры обозначают год выпуска, следующие 2 цифры – месяц и следующие 2 цифры - день.

УСЛОВИЯ ГАРАНТИЙНОГО ОБСЛУЖИВАНИЯ

1. Настоящее гарантийное свидетельство является единственным документом, подтверждающим ваше право на бесплатное гарантийное обслуживание. Без предъяв-

ления данного свидетельства претензии не принимаются. В случае утери или порчи гарантийное свидетельство не восстанавливается.

2. Гарантийный срок на электроинструмент, а также зарядные устройства и аккумуляторные батареи серии OnePower составляет 12 месяцев со дня продажи, в течение гарантийного срока сервисная служба бесплатно устраняет производственные дефекты и производит замену деталей, вышедших из строя по вине изготовителя. На период гарантийного ремонта эквивалентный исправный инструмент не предоставляется. Заменяемые детали переходят в собственность служб сервиса.

Компания P.I.T. не несет ответственности за вред, который может быть причинен при работе с электроинструментом.

3. В гарантийный ремонт инструмент принимается в чистом виде, при обязательном наличии надлежащим образом оформленных документов: настоящего гарантийного свидетельства, гарантийного талона, с полностью заполненными полями, штампом торговой организации и подписью покупателя.

4. Гарантийный ремонт не производится в следующих случаях:

- при отсутствии гарантийного свидетельства и гарантийного талона или неправильном их оформлении;
- при совместном выходе из строя якоря и статора электродвигателя, при обугливание или оплавлении первичной обмотки трансформатора сварочного аппарата, зарядного или пуско-зарядного устройства, при оплавлении внутренних деталей, прожиге электронных плат;
- если гарантийное свидетельство или талон не принадлежат данному электроинструменту или не соответствует установленному поставщиком образцу;
- по истечении срока гарантии;
- при попытках самостоятельного вскрытия или ремонта электроинструмента вне гарантийной мастерской;
- внесения конструктивных изменений и смазки инструмента в гарантийный период, о чем свидетельствуют, например, заломы на шлицевых частях крепежа корпусных деталей.
- при использовании электроинструмента в производственных или иных целях, связанных с получением прибыли, а также при возникновении неисправностей связанных

с нестабильностью параметров электросети, превышающих нормы, установленные ГОСТ;

- при неправильной эксплуатации (использование электроинструмента не по назначению, установки на электроинструмент не предназначенных заводом-изготовителем насадок, дополнительных приспособлений и т.п.;

- при механических повреждениях корпуса, сетевого шнура и при повреждениях, вызванных воздействиями агрессивных средств и высоких и низких температур, попадании инородных предметов в вентиляционные решетки электроинструмента, а также при повреждениях, наступивших в результате неправильного хранения (коррозия металлических частей);

- при естественном износе деталей электроинструмента, в результате длительной эксплуатации (определяется по признакам полной или частичной выработки ресурса, сильного загрязнения, ржавчины снаружи и внутри электроинструмента, отработанной смазки в редукторе);

- использование инструмента не по назначению, указанному в инструкции по эксплуатации.

- при механических повреждениях инструмента;

- при возникновении повреждений в связи с несоблюдением предусмотренных инструкцией условий эксплуатации (см. главу «Указание по технике безопасности» в инструкции).

- повреждение изделия вследствие несоблюдения правил хранения и транспортировки.

- при сильном внутреннем загрязнении инструмента.

Профилактическое обслуживание электроинструмента (чистка, промывка, смазка, замена пыльников, поршневых и уплотнительных колец) в гарантийный период является платной услугой.

Срок службы изделия составляет 3 года. Срок хранения – 2 года. Не рекомендуется к эксплуатации по истечении 2 лет хранения с даты изготовления, которая указана в серийном номере на этикетке инструмента, без предварительной проверки (определенные даты выпуска смотрите ранее в Руководстве пользователя).

О возможных нарушениях, изложенных выше условий гарантийного обслуживания, владельцу сообщается после проведения

диагностики в сервисном центре.

Владелец инструмента доверяет проведение диагностики в сервисном центре в свое отсутствие.

Запрещается эксплуатация электроинструмента при проявлении признаков повышенного нагрева, искрения, а также шума в редукторной части. Для выяснения причин неисправности покупателю следует обратиться в гарантийную мастерскую.

Неисправности, вызванные несвоевременной заменой угольных щеток двигателя, устраняются за счет покупателя.

5.Гарантия не распространяется на:

- сменные принадлежности (аксессуары и оснастка), например: аккумуляторы, диски, ножи, сверла, буры, патроны, цепи, звездочки, цанговые зажимы, шины, элементы натяжения и крепления, головки триммеров, подошвы шлифовальных и ленточных машин, фильтры, головки шестигранные сменные насадки и т.п.

- быстроизнашивающиеся детали, например: угольные щетки, приводные ремни, сальники, защитные кожухи, направляющие ролики, направляющие, резиновые уплотнения, подшипники, зубчатые ремни и колеса, стволы, ленты тормоза, храповики и тросы стартеров, поршневые кольца и т.п.

Замена их в течение гарантийного срока является платной услугой.

- шнуры питания, в случае повреждения изоляции, шнуры питания подлежат обязательной замене без согласия владельца (услуга платная), в т.ч. корпуса инструмента.

ГАРАНТИЙНОЕ СВИДЕТЕЛЬСТВО НА ИНСТРУМЕНТ P.I.T.

Наименование изделия _____

Серийный номер изделия □□□□□□□□□□

Серийный номер зарядного устройства □□□□□□□□□□

Дата продажи « ____ » _____

Наименование торговой организации _____

Уважаемый покупатель!

М.П.

Благодарим Вас за покупку инструмента P.I.T. и надеемся, что Вы останетесь довольны своим выбором.

При необходимости обслуживания Вашего изделия обращайтесь в авторизованные сервисные центры P.I.T. Все сервисные центры представлены на сайте www.pittools.ru

Внимание!

При покупке требуйте у продавца проверки работоспособности инструмента и его комплектности, а также заполнения гарантийного свидетельства, гарантийного талона (графы «Заполняются продавцом») и простановки печати торговой организации в гарантийном свидетельстве и гарантийных талонах.

Гарантия

На основании данного гарантийного свидетельства компания P.I.T. гарантирует отсутствие дефектов производственного характера.

Если в течение гарантийного срока в Вашем изделии обнаружатся указанные дефекты, то специализированные сервисные центры P.I.T. бесплатно отремонтируют изделие и заменят дефектные запасные части.

Гарантийный срок на электроинструменты P.I.T. составляет 12 месяцев со дня продажи.

«С условиями гарантийного обслуживания ознакомлен(а). Работоспособность и комплектность изделия проверены в моем присутствии. Претензий к качеству и внешнему виду не имею».

Подпись покупателя _____ Фамилия (разборчиво) _____

Телефон _____

P.I.T. WARRANTY CARD

Name _____ Serial Number _____ Sale Date _____ 20__ Date of Receipt from Repair _____ 20__	P.I.T.		№ 1
	Name _____		
	Serial Number _____		
	Sale Date _____ 20__		Place of Seal
	(Filled out by a Seller)		
	WARRANTY REPAIR CARD		
	Date of Acceptance for Repair _____ 20__		
	Application for Repair _____		
	Customer _____		
	Phone (Address) _____		
Cause of Application _____			
Date of Receipt from Repair _____ 20__			
The Tool is checked in my presence _____			
(The Order shall be performed in a Service Center) (Signature)			

Name _____ Serial Number _____ Sale Date _____ 20__ Date of Receipt from Repair _____ 20__	P.I.T.		№ 2
	Name _____		
	Serial Number _____		
	Sale Date _____ 20__		Place of Seal
	(Filled out by a Seller)		
	WARRANTY REPAIR CARD		
	Date of Acceptance for Repair _____ 20__		
	Application for Repair _____		
	Customer _____		
	Phone (Address) _____		
Cause of Application _____			
Date of Receipt from Repair _____ 20__			
The Tool is checked in my presence _____			
(The Order shall be performed in a Service Center) (Signature)			

Name _____ Serial Number _____ Sale Date _____ 20__ Date of Receipt from Repair _____ 20__	P.I.T.		№ 3
	Name _____		
	Serial Number _____		
	Sale Date _____ 20__		Place of Seal
	(Filled out by a Seller)		
	WARRANTY REPAIR CARD		
	Date of Acceptance for Repair _____ 20__		
	Application for Repair _____		
	Customer _____		
	Phone (Address) _____		
Cause of Application _____			
Date of Receipt from Repair _____ 20__			
The Tool is checked in my presence _____			
(The Order shall be performed in a Service Center) (Signature)			

ГАРАНТИЙНЫЙ ТАЛОН P.I.T.

P.I.T.

Талон № 1

Наименование _____
 Серийный номер _____
 Дата продажи « ____ » _____ 20__ Place of Seal
 (Заполняется продавцом)
 КАРТА ГАРАНТИЙНОГО РЕМОНА
 Дата приема ремонт _____ 20__
 Заявка на ремонт _____
 Заказчик _____
 Телефон (адрес) _____
 Причина обращения _____
 Дата получения от ремонта _____ 20__
 Инструмент проверен в моем присутствии _____
 (Заказ заполняется в Сервисном Центре) (Подпись)

Наименование _____
 Серийный номер _____
 Дата продажи _____ 20__
 Дата получения от ремонта _____ 20__

P.I.T.

Талон № 2

Наименование _____
 Серийный номер _____
 Дата продажи « ____ » _____ 20__ Place of Seal
 (Заполняется продавцом)
 КАРТА ГАРАНТИЙНОГО РЕМОНА
 Дата приема ремонт _____ 20__
 Заявка на ремонт _____
 Заказчик _____
 Телефон (адрес) _____
 Причина обращения _____
 Дата получения от ремонта _____ 20__
 Инструмент проверен в моем присутствии _____
 (Заказ заполняется в Сервисном Центре) (Подпись)

Наименование _____
 Серийный номер _____
 Дата продажи _____ 20__
 Дата получения от ремонта _____ 20__

P.I.T.

Талон № 3

Наименование _____
 Серийный номер _____
 Дата продажи « ____ » _____ 20__ Place of Seal
 (Заполняется продавцом)
 КАРТА ГАРАНТИЙНОГО РЕМОНА
 Дата приема ремонт _____ 20__
 Заявка на ремонт _____
 Заказчик _____
 Телефон (адрес) _____
 Причина обращения _____
 Дата получения от ремонта _____ 20__
 Инструмент проверен в моем присутствии _____
 (Заказ заполняется в Сервисном Центре) (Подпись)

Наименование _____
 Серийный номер _____
 Дата продажи _____ 20__
 Дата получения от ремонта _____ 20__



www.pit-tools.com

P.I.T.

Поставщик / производитель: Xinjiang Longbo Industrial Co., Ltd./Синьцзян Лонгбо Индастриал Ко., Лтд.

Адрес производства: Rm. 602, 6th Floor, No. 531, Weixing Road, Economic And Technological Development Zone, Urumqi, Xinjiang, China / Оф.602, 6 этаж, №531, Вейшинг Родд, Экономик Энд Технолоджикал Девелопмент Зон, Урумчи, Синьцзян, Китай

Импортер / организация, уполномоченная принимать претензии: ООО «Турбо-Тулс»

Юридический адрес: 117246, г. Москва, ул. Херсонская, 43 - 670

Вопросы и предложения направляйте по адресу: 614058, г. Пермь, ул. Фоминская, 36 info@pittools.ru

Сделано в КНР / Made in China

