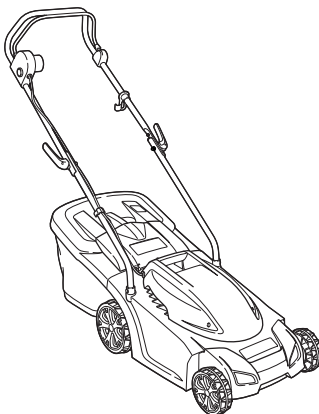
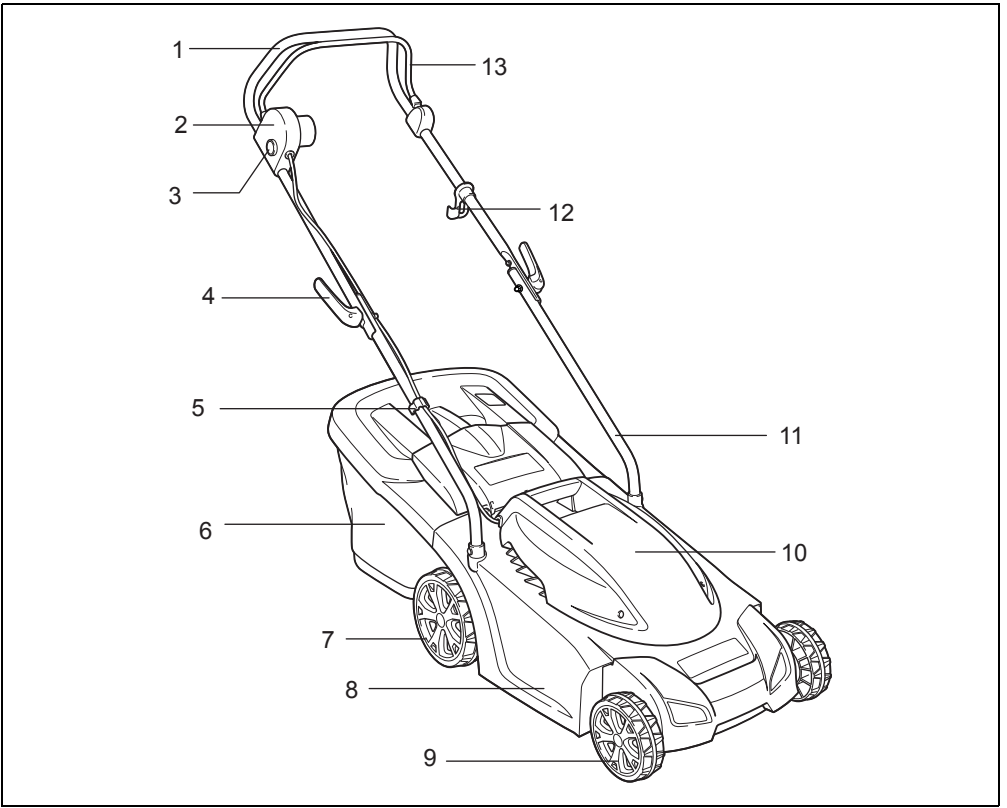




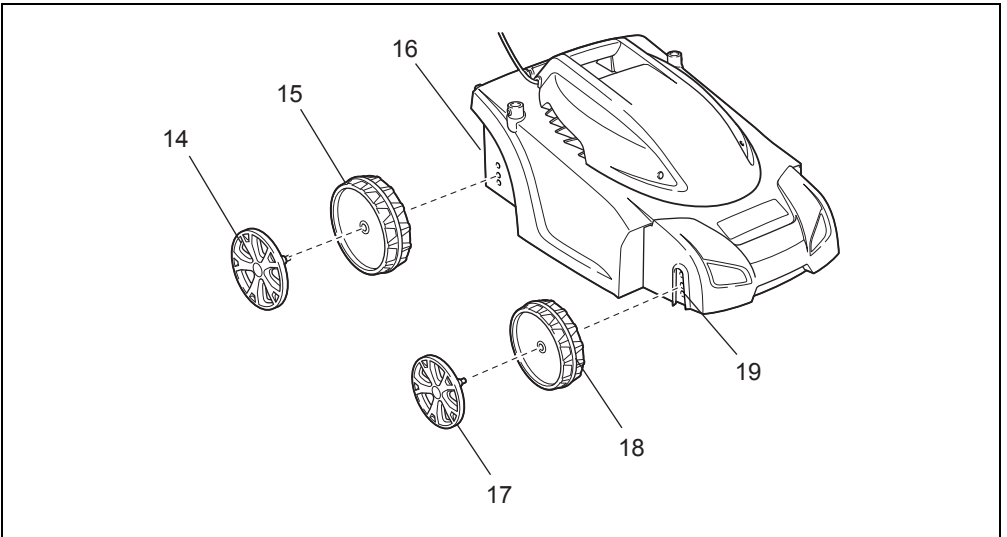
<b>GB</b>	Lawn Mower	Original instruction manual
<b>F</b>	Tondeuse	Manuel d'instructions d'origine
<b>D</b>	Elektro-Rasenmäher	Original-Bedienungsanleitung
<b>I</b>	Rasaerba	Manuale di istruzioni originale
<b>NL</b>	Grasmaaier	Oorspronkelijke gebruiksaanwijzing
<b>E</b>	Cortadora de Césped	Manual de instrucciones original
<b>P</b>	Cortador de Grama Elétrico	Manual de instruções original
<b>DK</b>	Plæneklipper	Original brugsanvisning
<b>GR</b>	Χλοοκοπτικό	Πρωτότυπο εγχειρίδιο οδηγιών
<b>TR</b>	Çim Bıçme Makinesi	Orijinal kullanım kılavuzu
<b>S</b>	Gräsklippare	Originalbruksanvisning
<b>N</b>	Gressklipper	Original bruksanvisning
<b>FIN</b>	Ruohonleikkuri	Alkuperäinen käyttöohje
<b>LV</b>	Zāles pļaujmašīna	Originālā lietošanas rokasgrāmata
<b>LT</b>	Veļapjovė	Originali naudojimo instrukcija
<b>EE</b>	Muruniiduk	Originaalne kasutusjuhend
<b>PL</b>	Elektryczna Kosiarka do Trawy	Oryginalna instrukcja obsługi
<b>HU</b>	Fűnyíró	Eredeti használati útmutató
<b>SK</b>	Kosačka	Pôvodný návod na obsluhu
<b>CZ</b>	Sekačka na trávu	Originální návod k obsluze
<b>RO</b>	Mașină de tuns iarba	Manual de instrucțiuni original
<b>RUS</b>	Газонокосилка	Оригинальное руководство по эксплуатации
<b>UA</b>	Газонокосарка	Оригинальні інструкції з експлуатації

**ELM3311**  
**ELM3711**

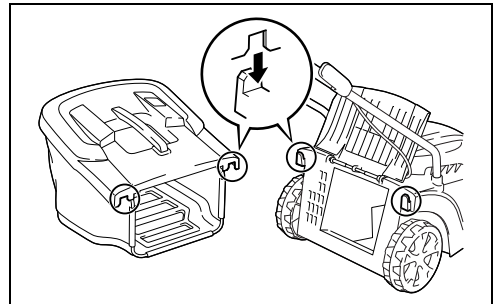
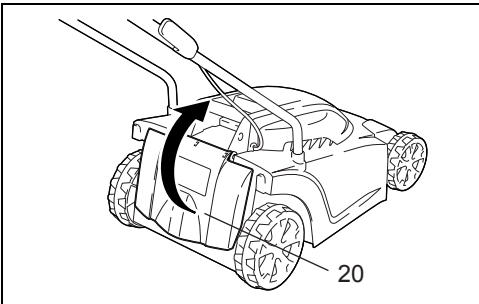
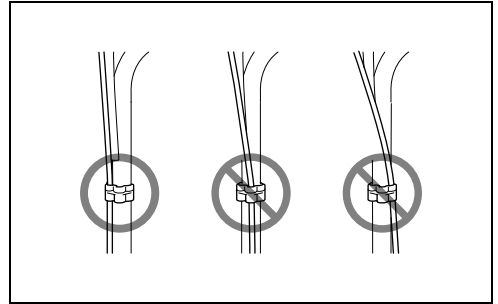
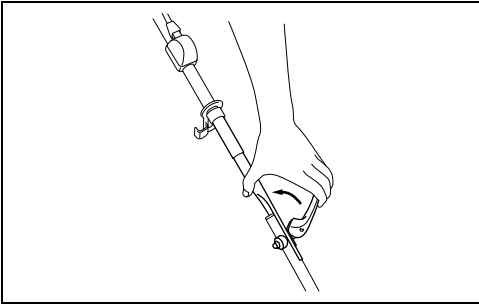
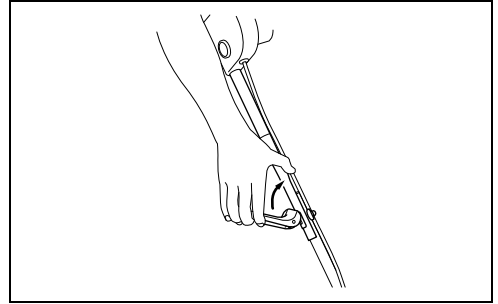
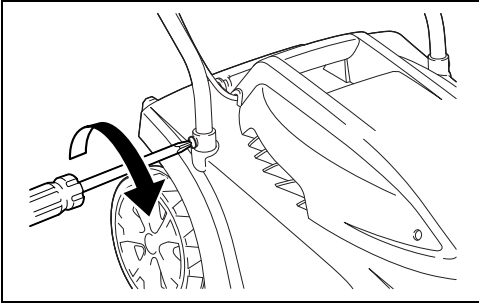
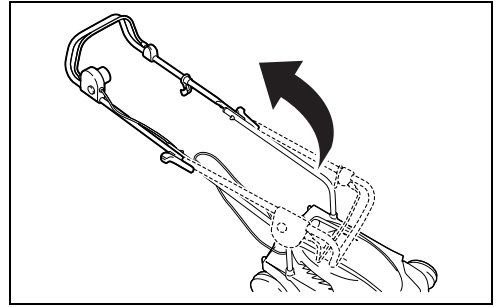
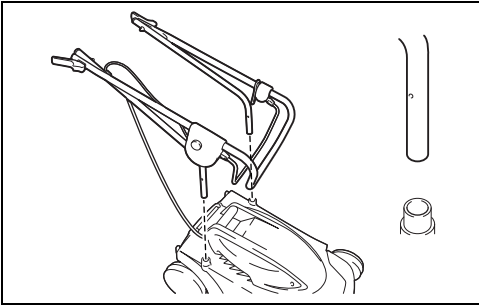




1

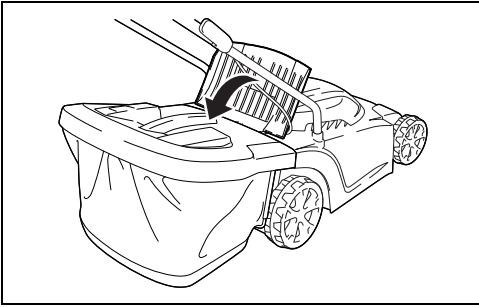


2

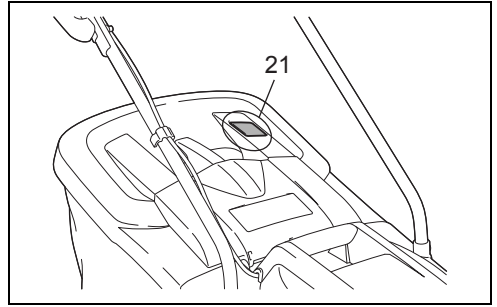


9

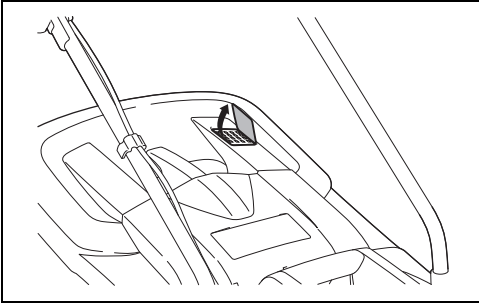
10



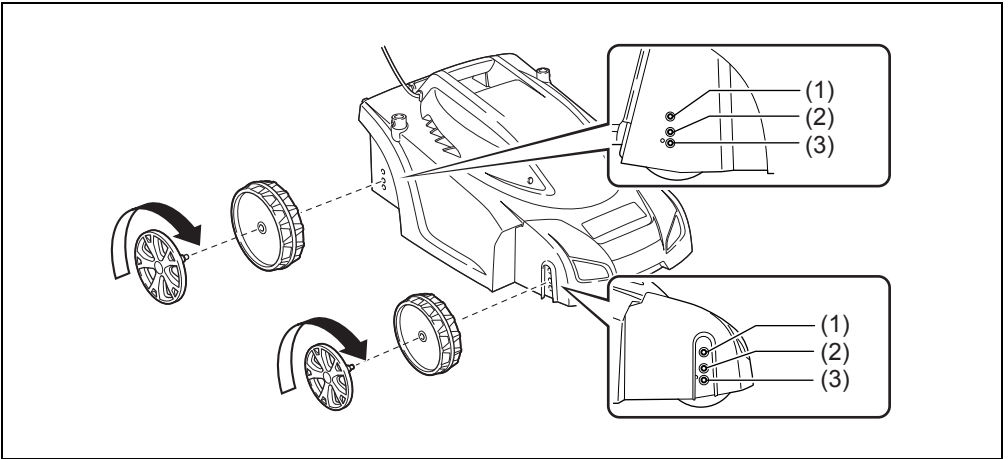
11



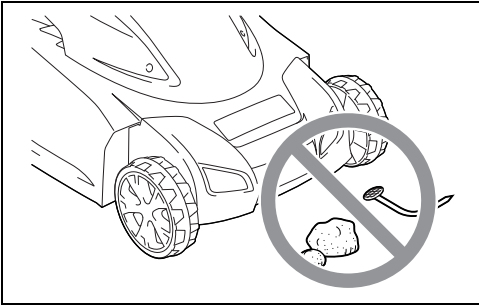
12A



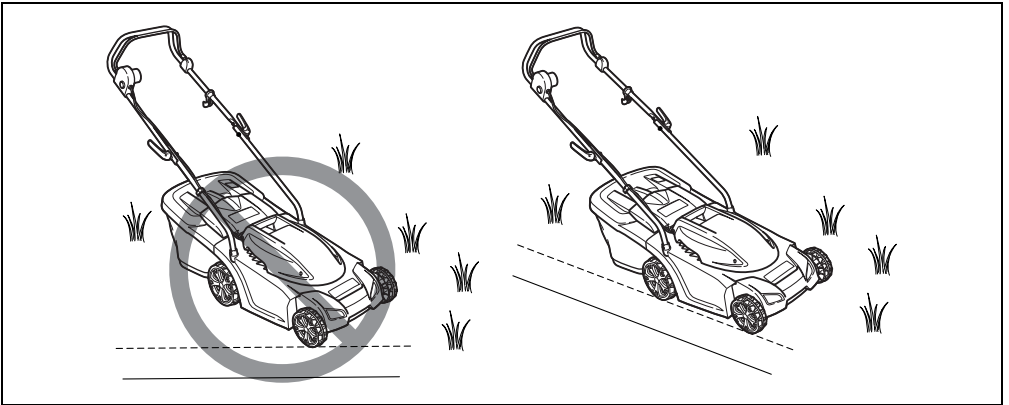
12B



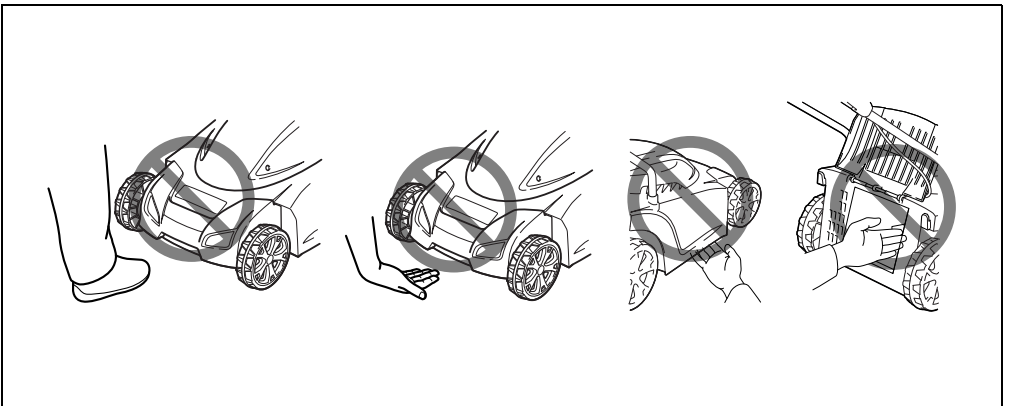
13



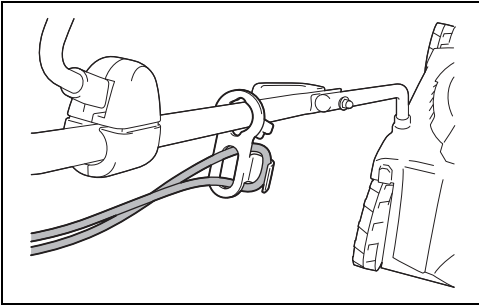
14



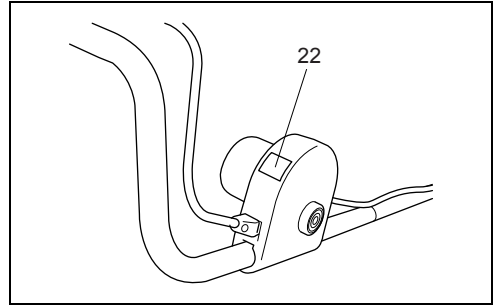
15



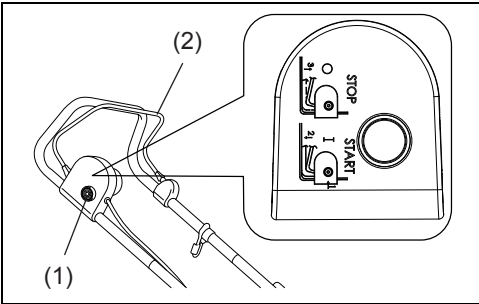
16



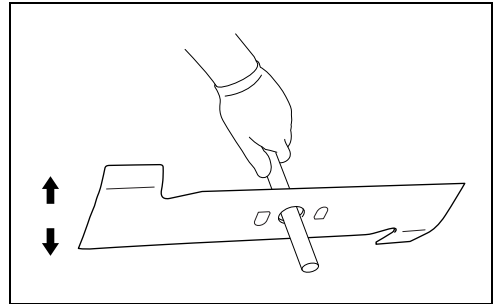
17



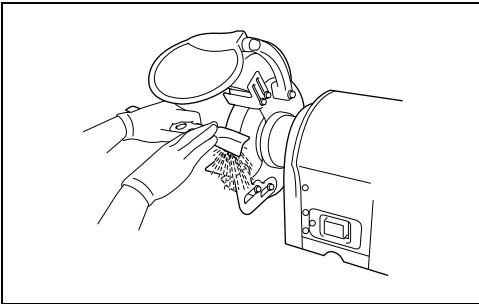
18



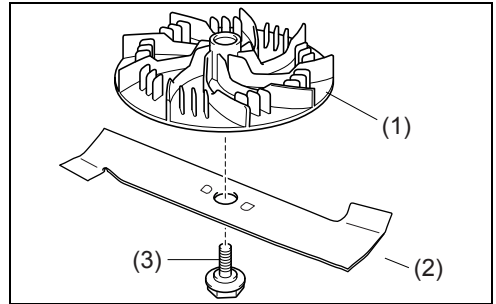
19



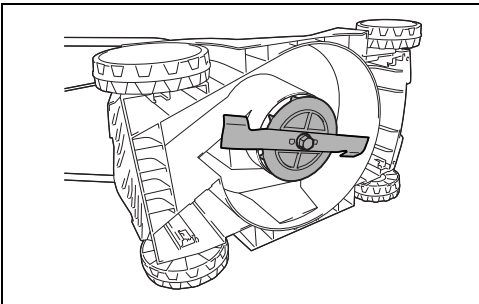
20



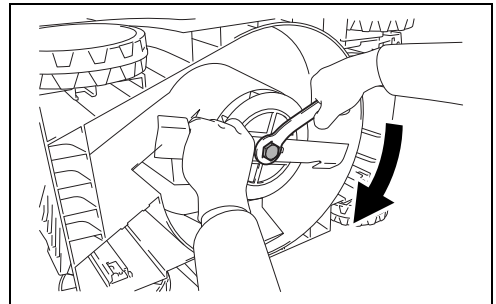
21



22



23



24

# CONTENTS

ENGLISH .....	8
FRANÇAIS .....	13
DEUTSCH .....	18
ITALIANO .....	23
NEDERLANDS .....	28
ESPAÑOL.....	33
PORTUGUÊS.....	38
DANSK .....	43
ΕΛΛΗΝΙΚΑ .....	48
TÜRKÇE .....	54
SVENSKA.....	59
NORSK .....	64
SUOMI.....	69
LATVIEŠU .....	74
LIETUVIŲ KALBA.....	79
EESTI .....	84
POLSKI.....	89
MAGYAR .....	94
SLOVENČINA .....	99
ČESKY .....	104
ROMÂNĂ.....	109
РУССКИЙ .....	114
УКРАЇНСЬКА .....	120

**Explanation of general view**

- |                       |                            |                             |
|-----------------------|----------------------------|-----------------------------|
| 1. Upper handle       | 9. Front wheel             | 17. The front wheel cover   |
| 2. Switch box         | 10. Motor cover            | 18. The front wheel         |
| 3. Safety push-button | 11. Lower handle           | 19. The front wheel support |
| 4. Locking lever      | 12. Cable hook             | 20. Rear cover              |
| 5. Cable clamp        | 13. Switch handle          | 21. Level indicator         |
| 6. Grass catcher      | 14. The rear wheel cover   | 22. Indicator light         |
| 7. Rear wheel         | 15. The rear wheel         |                             |
| 8. Underpan           | 16. The rear wheel support |                             |

**KNOW YOUR LAWN MOWER**

Read this manual carefully, observing the recommended safety instructions before, during and after using your lawn mower. Following these simple instructions will also maintain your lawn mower in good working order. Familiarize yourself with the controls on your mower before attempting to operate it, but above all, be sure you know how to stop your mower in an emergency. Retain this user manual and all other literature with your mower for future reference.

**1. SYMBOLS MARKED ON THE PRODUCT**



Read this instruction book carefully before using the lawn mower and keep it in a safe place for future reference.



Keep bystanders away.



Beware of sharp blades.

Remove the plug from the machine before maintenance or if cord damaged.



Keep the supply flexible cord away from the cutting blades.



**SAFETY ALERT SYMBOL:** Indicates caution or warning may be used in conjunction with other symbols or pictures.

**DOUBLE INSULATED**



**Your mower is double insulated.**

This means that all external parts are electrically isolated from the power supply. This is achieved by placing an extra insulation barrier between the electrical and mechanical parts.

**2. GENERAL SAFETY RULES**

The purpose of the safety rules is to attract your attention to possible dangers. The safety symbols and the explanations with them, require your careful attention and understanding. The safety warnings do not by themselves eliminate any danger. The instruction or warnings they give are not substitutes for proper accident prevention measures.



**WARNING:** Failure to obey a safety warning can result in serious injury to yourself or to others. Always follow the safety precautions to reduce the risk of fire, electric shock and personal injury. Save owners manual and review frequently for continuing safe operation and instructing others who may use this tool.



**WARNING:** This machine produces an electromagnetic field during operation. This field may under some circumstances interfere with active or passive medical implants. To reduce the risk of serious or fatal injury, we recommend persons with medical implants to consult their physician and the medical implant manufacturer before operating this machine.



**WARNING:** The operation of any tool can result in foreign objects being thrown into your eyes, which can result in eyes severely damaged. Before beginning power tool operation, always wears safety goggles or safety glasses with side shields and a full face shield when needed. We recommend Wide Vision Safety Mask for use over eyeglasses or standard safety glasses with side shield.

- 1) Read the instructions carefully. Be familiar with the controls and the proper use of the equipment.
- 2) Never allow children or people unfamiliar with these instructions to use the lawn mower. Local regulations can restrict the age of the operator.
- 3) Never mow while people, especially children, or pets are nearby.
- 4) Keep in mind that the operator or user is responsible for accidents or hazards occurring to other people or their property.
- 5) While mowing, always wear substantial footwear and long trousers. Do not operate the equipment when barefoot or wearing open sandals.



- 6) Thoroughly inspect the area where the equipment is to be used and remove all objects which can be thrown by the machine.
- 7) Before using, always visually inspect to see that the blades, blade bolts and cutter assembly are not worn or damaged. Replace worn or damaged blades and bolts in sets to preserve balance.
- 8) Mow only in daylight or in good artificial light.
- 9) Avoid operating the equipment in wet grass, where feasible.
- 10) Always be sure of your footing on slopes.
- 11) Walk, never run.
- 12) For wheeled rotary machines; mow across the face of slopes, never up and down.
- 13) Exercise extreme caution when changing direction on slopes.
- 14) Do not mow excessively on steep slopes.
- 15) Use extreme caution when reversing or pulling the lawn mower toward you.
- 16) Stop the blade if the lawn mower has to be tilted for transportation when crossing surfaces other than grass, and when transporting the lawn mower to and from the area to be mowed.
- 17) Never operate the lawn mower with defective guards, or without safety devices, for example deflectors and/or grass catchers, in place.
- 18) Start or switch on the motor carefully according to instructions and with feet well away from the blades.
- 19) Do not tilt the lawn mower when starting switching on the motor, except if the lawn mower has to be tilted for starting. In this case, do not tilt it more than absolutely necessary and lift only the part which is away from the operator.
- 20) Do not start the motor when standing in front of the discharge chute.
- 21) Do not put hands or feet near or under rotating parts. Keep clear of the discharge opening at all times.
- 22) Never pick up or carry a lawn mower while the motor is running.
- 23) Stop the motor and disconnect the plug:
  - before clearing blockages or unclogging chute;
  - before checking, cleaning or working on the lawn mower;
  - after striking a foreign object. Inspect the lawn mower for damage and make repairs before restarting and operating the lawn mower;
  - if lawn mower starts to vibrate abnormally (check immediately).
- 24) Stop the mower:
  - whenever you leave the lawn mower.
- 25) Keep all nuts, bolts and screws tight to be sure the equipment is in safe working condition.
- 26) Check the grass catcher frequently for wear or deterioration.
- 27) Replace worn or damaged parts for safety.
- 28) Do not use the lawn mower if the cords are damaged or worn.
- 29) Do not connect a damaged cord to the supply or touch a damaged cord before it is disconnected from the supply. A damaged cord can lead to contact with live parts.
- 30) Do not touch the blade before the machine is disconnected from the supply and the blade have come to a complete stop.
- 31) To keep extension cords away from the blade. The blade can cause damage to the cords and lead to contact with live parts.
- 32) To disconnect the supply (i.e. pulling the plug from the socket):
  - whenever leaving the machine unattended;
  - before clearing a blockage;
  - before checking, cleaning or working on the machine;
  - after striking a foreign object;
  - whenever the machine starts vibrating abnormally.
- 33) Children should be supervised to ensure that they do not play with the appliance.
- 34) This appliance is not intended for use by persons (including children) with reduced physical, sensory or mental capabilities, or lack of experience and knowledge, unless they have been given supervision or instruction concerning use of the appliance by a person responsible for their safety.
- 35) If the supply cord is damaged, it must be replaced by a special cord or assembly available from the manufacturer or its service agent.
- 36) Instructions for the safe operation of the appliance, including a recommendation that the appliance should be supplied via a Residual Current Device (RCD) with a tripping current of not more than 30 mA.
- 37) Be careful during adjustment of the machine to prevent entrapment of the fingers between moving blades and fixed parts of the machine.
- 38) Always allow the machine to cool before storing.
- 39) When servicing the blades be aware that, even though the power source is switched off, the blades can still be moved.
- 40) Replace worn or damaged parts for safety; Use only genuine replacement parts and accessories.
- 41) Be careful during adjustment of the appliance to prevent entrapment of the fingers between moving blades and fixed parts of appliance.
- 42) Before use check the supply and extension cord for signs of damage or worn. If the cord becomes damaged during use, disconnect the cord from the supply immediately. **DO NOT TOUCH THE CORD BEFORE DISCONNECTING THE SUPPLY.** Do not use the appliance if the cord is damaged or worn.
- 43) If the supply cord is damaged, it must be replaced by the manufacturer, its service agent or similarly qualified persons in order to avoid a hazard.

### 3. PARTS DESCRIPTION (Fig. 1)

## 4. TECHNICAL DATA

Model:	ELM3311	ELM3711
Rated voltage:	230 V~	230 V~
Rated frequency:	50 Hz	50 Hz
Rated power:	1,100 W	1,300 W
No load speed:	2,900/min	2,900/min
Cutting width:	330 mm	370 mm
Guaranteed sound power level:	96 dB (A)	96 dB (A)
$L_{pA}$ (SPL) at the site of the user:	75.4 dB (A), K=3 dB (A)	77.6 dB (A), K=3 dB (A)
Guaranteed vibration:	0.672 m/s <sup>2</sup> , K=1.5 m/s <sup>2</sup>	0.917 m/s <sup>2</sup> , K=1.5 m/s <sup>2</sup>
Grass catcher capacity:	27 L	35 L
Net weight:	13.1 kg	14.9 kg
Degree of protection against liquid:	IP24	IP24
Height adjustment :	20/40/55 mm, 3 adjustment	20/40/55 mm, 3 adjustment

## 5. ASSEMBLY

### 5-1 ASSEMBLE THE WHEEL

Insert the axle of front and rear wheel cover into the wheel and then screw into the hole of wheel support. (Fig. 2)



**WARNING:** All wheels must be at the same height.

### 5-2 ASSEMBLE THE FOLDING HANDLE

- Insert the lower handlebars into the fixed holes of the underpan, and then fixed with supplied screw by a screwdriver. (Fig. 3, Fig. 4, Fig. 5)
- Connect the upper handle and the lower handle with the locking lever. (Fig. 6, Fig. 7)
- Position the cable over the handle shaft. Clamp it around the middle of lower handle by the cable clamp and make sure the cable is fixed on the outside of the handle. Otherwise the cable may be pinched by opening/closing the rear cover. (Fig. 8)

### 5-3 ASSEMBLE THE GRASS CATCHER

- To fit: Raise the rear cover and hitch the grass catcher on rear of mower. (Fig. 9, Fig. 10, Fig. 11)
- To remove: Grasp and lift the rear cover, remove grass catcher.

There is a level indicator on the top of the grass catcher that shows whether the catcher is empty or full (Fig. 12A, Fig. 12B):

- The level indicator inflates if the catcher is not full during the moving. (Fig. 12B)
- If the catcher is full, the indicator collapses. Once this happens, stop moving immediately and empty the catcher, make sure it is clean and ensure its meshwork is ventilated. (Fig. 12A)

#### IMPORTANT

If the position of indicator opening is very dirty, the indicator will not inflate. In this case, clean the position of indicator opening immediately.

## 6. ADJUSTMENT OF CUTTING HEIGHT

The cutting height is adjusted by attaching the wheels to the required hole.

All wheels must be at the same height.

The height (the blade to the ground) can be adjusted from 20 mm to 55 mm (3 height positions). (Fig. 13)

The lowest adjustment: 20 mm (position (1)); the middle adjustment: 40 mm (position (2)); the highest adjustment: 55 mm (position (3)).



**WARNING:** Disconnect the electric cord from the power supply.



**WARNING:** Make this adjustment only when the blade is stopped.

## 7. SAFETY PRECAUTIONS

- Always operate with the deflector or grass catcher in the correct position.
- Always stop the motor before removing the grass catcher or adjusting the height of cutting position.
- Before mowing, remove all foreign objects from the lawn which may be thrown by the machine. While mowing, stay alert for any foreign objects which may have been missed. (Fig. 14)
- Never lift the rear of the mower while starting the motor or during normal operation. (Fig. 15)
- Never place your hands or feet underneath the underpan or into the rear discharge chute while the motor is running. (Fig. 16)

## 8. STARTING

Before connecting up the lawn mower to the electric power supply, make sure that the mains supply voltage is 230 V ~ 50 Hz.

Before start the lawn mower, fix the extension cord into the cable hook. (Fig. 17)

When the lawn mower power on, the indicator light will turn on. (Fig. 18)

Start the motor as follows. (Fig. 19)

- a) Press the safety push-button (1).
- b) And meanwhile, pull the the switch handle (2), and keep it in grasp.

Push the lawn mower manually when the motor is running.

If you release the switch handle, the motor will stop.



**CAUTION:** The blade starts turning as soon as the motor is started.



**WARNING:** Cutting elements continue to rotate after the motor is switched off.

## 9. BLADE

The blade is made of pressed steel. It will be necessary to reshape it frequently (with a grind wheel).

Ensure that it is always balanced (an unbalanced blade will cause dangerous vibrations). To check for balance, insert a round rod through the central hole and support the blade horizontally. (Fig. 20) A balance blade will remain horizontal. If the blade is not balanced the heavy end will rotate downwards. Reshape the heavy end until the blade is currently balanced. (Fig. 21) To remove the blade (2), unscrew the blade screw (3). (Fig. 22, Fig. 23, Fig. 24)

Check the conditions of the fan (1), and replace any parts, which are damaged. (Fig. 22)

When reassembling, make sure that the cutting edges face in the direction of the motor rotation. The blade screw (3) must be tightened to torque 20-25 Nm.



**WARNING:** For service, replace the blade with: MAKITA 263001422 (for ELM3311) and MAKITA 263001414 (for ELM3711) only.

## 10. EXTENSION CORDS

You should only use extension cords for outdoor use, ordinary duty with a cross sectional area not less than 1.0 mm<sup>2</sup>.

Before using, check the supply and extension cords for signs of damage during use, disconnect the cord for signs of damage or aging. If the cord becomes damaged during use, disconnect the cord from the supply immediately. DO NOT TOUCH THE CORD BEFORE DISCONNECTING THE SUPPLY. Do not use the appliance if the cord is damaged or worn. Keep extension cord away from cutting elements.



**WARNING:** Always ensure that the ventilation openings are kept clear of debris.

## 11. MAINTENANCE AND CARE



**WARNING:** Before performing any maintenance or cleaning work, always pull out the mains plug! Do not spray the unit with water. Ingress of water may destroy the switch-plug combination unit and the electric motor. Clean the unit with a cloth, hand brush, etc.

**Expert inspection is required, do not make any adjustment by yourself, must contact Makita authorized service centre:**

- a) if the lawn mower strikes an object.
- b) if the motor stops suddenly.
- c) if the blade is bent (do not align!).
- d) if the motor shaft is bent (do not align!).
- e) if a short-circuit occurs when the cable is connected.
- f) if the gears are damaged.
- g) if the V-belt is defective.

## 12. TROUBLESHOOTING



**WARNING:** Before performing any maintenance or cleaning work, always pull out the mains plug and wait until the cutter has come to a standstill.

Fault	Remedial action
Motor does not run	Check mains connection cable. Start on short grass or on an area which has already been mown. Clean discharge channel/housing-the mowing blade must rotate freely. Correct the cutting height.
Motor power drops	Correct the cutting height. Clean discharge channel/housing. Have mowing blade resharpened/replaced → authorized service centre.
Grass catcher is not filled	Correct the cutting height. Allow the lawn to dry. Have mowing blade resharpened/replaced → authorized service centre. Clean the grille on the grass catcher. Clean the discharge channel/housing.
Wheel drive does not function	Adjust the flexible cable. Check the V-belt/gears → authorized service centre. Check the drive wheels for damage.



**CAUTION:** Faults which cannot be rectified with the aid of this table may be rectified by Makita authorized service centre only.

## 13. ENVIRONMENTALLY FRIENDLY DISPOSAL



According to EU directive 2002/96/EC on electric and electronic equipment and its implementation into national law, all electric tools must be separately collected and environmentally friendly recycled. Alternative disposal: If the owner of the power tool does

not return the tool to the manufacturer, he is responsible for proper disposal at a designated collection point that prepares the device for recycling according to national recycling laws and regulations.

This does not include accessories and tools without electric or electronic components.

### For European countries only

### EC Declaration of Conformity

**We Makita Corporation as the responsible manufacturer declare that the following Makita machine(s):**

Designation of Machine: Lawn Mower

Model No./Type: ELM3311, ELM3711

Specifications: See "4. TECHNICAL DATA" are of series production and

### Conforms to the following European Directives:

2004/108/EC, 2006/42/EC, 2000/14/EC & 2005/88/EC, 2006/95/EC

And are manufactured in accordance with following standards or standardized documents:

EN 60335, EN 62233, EN 55014, EN 61000

The technical documentation is kept by:

Makita International Europe Ltd.,

Michigan Drive, Tongwell,

Milton Keynes, MK15 8JD, England

The conformity assessment procedure required by Directive 2000/14/EC was in Accordance with Annex VI.

Notified Body:

TÜV SÜD Industrie Service GmbH

Westendstraße 199, D-80686 München

Identification Number: 0036

Model: ELM3311

Measured Sound Power level: 87.7 dB (A)

Guaranteed Sound Power level: 96 dB (A)

Model: ELM3711

Measured Sound Power level: 91.0 dB (A)

Guaranteed Sound Power level: 96 dB (A)

30. 11. 2012

Tomoyasu Kato

Director

Makita Corporation

3-11-8, Sumiyoshi-cho,

Anjo, Aichi, 446-8502, JAPAN

## Descriptif

- |                           |                                |                              |
|---------------------------|--------------------------------|------------------------------|
| 1. Guidon supérieur       | 9. Roue avant                  | 17. Carter de la roue avant  |
| 2. Coffret d'interrupteur | 10. Capot du moteur            | 18. Roue avant               |
| 3. Bouton de blocage      | 11. Guidon inférieur           | 19. Support de la roue avant |
| 4. Levier de verrouillage | 12. Clip de maintien du câble  | 20. Carter arrière           |
| 5. Clip de maintien       | 13. Guidon d'interrupteur      | 21. Indicateur de niveau     |
| 6. Sac de ramassage       | 14. Carter de la roue arrière  | 22. Témoin                   |
| 7. Roue arrière           | 15. Roue arrière               |                              |
| 8. Sous-bac               | 16. Support de la roue arrière |                              |

## PRÉSENTATION DE VOTRE TONDEUSE

Lisez ce manuel attentivement, en respectant les instructions de sécurité précédemment citées, pendant et après l'utilisation de votre tondeuse. Le respect de ces instructions simples permet également de conserver votre tondeuse en bon état de fonctionnement. Familiarisez-vous avec les commandes de votre tondeuse avant d'essayer de la faire fonctionner, mais surtout, assurez-vous de savoir comment arrêter votre tondeuse en cas d'urgence. Conservez ce manuel d'utilisateur et les autres documents fournis avec votre tondeuse pour toute référence future.

### 1. SYMBOLES MARQUÉS SUR LE PRODUIT



Lisez ce manuel d'instructions attentivement avant d'utiliser la tondeuse et conservez-le dans un endroit sûr pour toute référence future.



Ménagez un périmètre de sécurité.



Attention aux lames coupantes.

Débranchez la fiche d'alimentation avant toute maintenance ou si le câble est endommagé.



Maintenez le câble électrique éloigné des lames de coupe.



**SYMBOLE D'ALERTE DE SÉCURITÉ :** Indique qu'une précaution ou une mise en garde peut être utilisée avec d'autres symboles ou images.

### DOUBLE ISOLATION



**Votre tondeuse est doublement isolée.**

Cela signifie que toutes les parties externes sont isolées électriquement de l'alimentation. Pour cela, une barrière d'isolation supplémentaire est placée entre les parties électriques et mécaniques.

### 2. CONSIGNES DE SÉCURITÉ GÉNÉRALES

Les règles de sécurité visent à attirer votre attention sur les dangers possibles. Les symboles de sécurité et les explications s'y rattachant méritent votre attention et votre compréhension. Les mises en garde de sécurité n'éliminent pas le danger en lui-même. Les instructions ou mises en garde qu'elles prodiguent ne remplacent pas les mesures adéquates de prévention d'accidents.



**AVERTISSEMENT :** Tout manquement au respect des mises en garde de sécurité peut entraîner des blessures graves à vous-même ou à d'autres personnes. Prenez toujours les précautions de sécurité afin de réduire les risques d'incendie, de choc électrique et de blessure. Gardez ce manuel d'utilisation et révisiez-le fréquemment pour une utilisation continue en toute sécurité et pour former d'autres personnes à utiliser cet outil.



**AVERTISSEMENT :** Cet appareil produit un champ électromagnétique pendant son fonctionnement. Dans certains cas, ce champ peut perturber les implants médicaux actifs ou non. Pour réduire les risques de blessures graves ou mortelles, il est recommandé aux personnes porteuses d'implants médicaux de consulter leur médecin ainsi que le fabricant de l'implant médical avant d'utiliser cet appareil.



**AVERTISSEMENT :** L'utilisation de tout outil peut entraîner la projection de corps étrangers dans vos yeux, ce qui peut entraîner de graves blessures oculaires. Avant d'utiliser l'outil électrique, portez toujours un masque de protection ou des lunettes de sécurité avec des écrans latéraux, ainsi qu'une visière de protection intégrale si nécessaire. Nous conseillons le port d'un masque de sécurité panoramique par-dessus des

lunettes ou des lunettes de sécurité standard avec des écrans latéraux.

- 1) Lisez les instructions attentivement. Familiarisez-vous avec les commandes et l'utilisation correcte de l'équipement.
- 2) Ne laissez pas des enfants ou des personnes ne connaissant pas ces instructions utiliser la tondeuse. Les réglementations locales peuvent limiter l'âge de l'opérateur.
- 3) N'utilisez jamais la tondeuse lorsque des personnes, particulièrement des enfants, ou des animaux se trouvent à proximité.
- 4) Gardez à l'esprit que l'opérateur ou l'utilisateur est responsable des accidents ou blessures arrivant à d'autres personnes ou à leurs biens.
- 5) Pendant la tonte, portez toujours des chaussures résistantes et des pantalons longs. N'utilisez pas le matériel lorsque vous êtes pieds nus ou en sandales.
- 6) Inspectez minutieusement toute la zone à tondre et éliminez tout objet qui pourrait être projeté par la machine.
- 7) Avant l'utilisation, procédez toujours à une vérification générale pour vous assurer que les lames, les boulons de lame et l'ensemble de coupe ne sont ni usés ni endommagés. Remplacez les lames et boulons endommagés ou usés par lots complets pour préserver le bon équilibre.
- 8) Tondez uniquement à la lumière du jour ou dans une lumière artificielle de bonne qualité.
- 9) Évitez de tondre de l'herbe mouillée, si possible.
- 10) Assurez vos pas dans les pentes.
- 11) Marchez, ne courez jamais.
- 12) Pour les machines rotatives à roues ; tondez les pentes dans le sens transversal, jamais en montant ou en descendant.
- 13) Soyez particulièrement prudent lors des changements de direction sur les terrains en pente.
- 14) Ne coupez pas l'herbe sur des pentes excessivement raides.
- 15) Faites particulièrement attention lorsque la tondeuse doit être tirée vers vous.
- 16) Arrêtez la lame si la tondeuse doit être inclinée pour le transport, lorsque vous traversez des zones sans herbe et lors des déplacements entre les surfaces à tondre.
- 17) N'utilisez jamais la tondeuse si ses protecteurs sont endommagés, ou en l'absence de dispositifs de sécurité, comme le déflecteur ou le sac de ramassage.
- 18) Démarrez le moteur avec précaution, en respectant les consignes d'utilisation et en tenant vos pieds éloignés des lames.
- 19) N'inclinez pas la tondeuse lorsque vous allumez le moteur, à moins que ce soit nécessaire pour la mise en marche. Dans ce cas, ne l'inclinez pas de plus que ce qui est absolument nécessaire, et ne soulevez que la partie qui est le plus loin de l'opérateur.
- 20) Ne démarrez pas le moteur lorsque vous êtes devant la goulotte d'éjection.
- 21) Ne placez pas vos mains ou vos pieds à proximité ou sous des pièces qui tournent. Restez en permanence éloigné de l'ouverture d'éjection.
- 22) Ne soulevez ou transportez jamais une tondeuse dont le moteur est en fonctionnement.

23) Arrêtez le moteur et débranchez la fiche:

- avant toute opération de retrait d'obstruction ou de débouchage de la goulotte;
- avant toute opération de vérification, de nettoyage ou de réparation de la tondeuse;
- après avoir heurté un corps étranger. Inspectez la tondeuse pour vérifier si elle est endommagée. Effectuez les réparations nécessaires avant toute nouvelle utilisation de la tondeuse;
- si la tondeuse commence à vibrer de manière anormale (vérification immédiate).

24) Arrêtez la tondeuse:

- lorsque vous vous éloignez de la tondeuse.

25) Maintenez tous les écrous, boulons et vis serrés afin d'assurer des conditions d'utilisation sûres.

26) Vérifiez fréquemment que le sac de ramassage ne présente aucune trace d'usure ou de détérioration.

27) Remplacez les pièces usées ou endommagées pour des raisons de sécurité.

28) N'utilisez pas la tondeuse si les câbles sont endommagés ou usés.

29) Ne branchez pas un câble endommagé, ne touchez pas un câble endommagé avant qu'il soit débranché de l'alimentation. Un câble endommagé peut entraîner un contact avec des parties sous tension.

30) Ne touchez pas la lame avant que la machine soit débranchée de l'alimentation et la lame complètement arrêtée.

31) Maintenez les rallonges éloignées de la lame. La lame peut endommager les câbles et entraîner un contact avec des parties sous tension.

32) Débranchez la prise (c'est-à-dire en retirant la fiche de la prise):

- toutes les fois où la tondeuse doit être laissée sans surveillance;
- avant toute opération de retrait d'obstruction;
- avant toute opération de vérification, de nettoyage ou de réparation de la machine;
- après avoir heurté un corps étranger;
- dès que la machine commence à vibrer de manière anormale.

33) Les enfants doivent être surveillés car ils ne doivent pas jouer avec l'appareil.

34) Cet appareil ne doit pas être utilisé par des personnes (notamment des enfants) dont les capacités physiques, sensorielles ou mentales sont réduites ou n'ayant aucune expérience ni compétence, à moins d'avoir reçu des instructions relatives à l'utilisation de l'appareil par une personne responsable de leur sécurité ou d'être sous la supervision de celle-ci.

35) Si le câble d'alimentation est endommagé, il doit être remplacé par un câble ou un assemblage spécial disponible auprès du fabricant ou de son agent de service.

36) Les instructions pour un fonctionnement sûr de l'appareil comprennent la recommandation que

l'appareil doit être alimenté via un appareil de courant résiduel (RCD) avec un courant de déclenchement inférieur à 30 mA.

37) Soyez prudent lors du réglage de l'outil afin d'éviter de vous coincer les doigts entre les lames en mouvement et les pièces fixes de l'outil.

38) Laissez toujours l'outil refroidir avant de le ranger.

- 39) Lors de l'entretien des lames, n'oubliez pas que même si la source d'alimentation est coupée, les lames peuvent toujours tourner.
- 40) Remplacez les pièces usées ou endommagées pour des raisons de sécurité; utilisez uniquement des pièces de remplacement et accessoires d'origine.
- 41) Soyez prudent lors du réglage de l'appareil afin d'éviter de vous coincer les doigts entre les lames en mouvement et les pièces fixes de l'appareil.
- 42) Avant utilisation, vérifiez que le câble d'alimentation et la rallonge ne sont pas endommagés ou usés. Si le câble est endommagé au cours de l'utilisation,

débranchez-le de la prise immédiatement. NE TOUCHEZ PAS LE CÂBLE AVANT DE DÉBRANCHER LA PRISE. N'utilisez pas l'appareil si le câble est endommagé ou usé.

- 43) Si le cordon d'alimentation est endommagé, il doit être remplacé par le fabricant, un représentant du service après-vente ou des personnes disposant de qualifications similaires afin d'éviter tout danger.

### 3. DESCRIPTION DES PIÈCES (Fig. 1)

## 4. CARACTÉRISTIQUES TECHNIQUES

Modèle :	ELM3311	ELM3711
Tension nominale :	230 V~	230 V~
Fréquence nominale :	50 Hz	50 Hz
Puissance nominale :	1 100 W	1 300 W
Vitesse à vide :	2 900/min	2 900/min
Largeur de coupe :	330 mm	370 mm
Niveau de puissance sonore garantie :	96 dB (A)	96 dB (A)
L <sub>pA</sub> (SPL) sur le site de l'utilisateur :	75,4 dB (A), K=3 dB (A)	77,6 dB (A), K=3 dB (A)
Vibrations garanties :	0,672 m/s <sup>2</sup> , K=1,5 m/s <sup>2</sup>	0,917 m/s <sup>2</sup> , K=1,5 m/s <sup>2</sup>
Capacité du sac de ramassage :	27 l	35 l
Poids net :	13,1 kg	14,9 kg
Degré de protection contre les liquides :	IP24	IP24
Réglage en hauteur :	20/40/55 mm, 3 réglages	20/40/55 mm, 3 réglages

## 5. MONTAGE

### 5-1 MONTER LA ROUE

Insérez l'axe du carter de la roue avant et arrière dans la roue, puis vissez dans l'orifice du support de la roue.

(Fig. 2)



**AVERTISSEMENT** : Toutes les roues doivent être montées à la même hauteur.

### 5-2 MONTER LE GUIDON REPLIABLE

- A) Insérez les barres inférieures du guidon dans les trous fixes du sous-bac, puis fixez-les avec la vis fournie avec un tournevis. (Fig. 3, Fig. 4, Fig. 5)
- B) Fixez le guidon supérieur et le guidon inférieur avec le levier de verrouillage. (Fig. 6, Fig. 7)
- C) Placez le câble sur le manche. Serrez-le autour du milieu du guidon inférieur avec le clip de maintien et assurez-vous que le câble est fixé à l'extérieur du guidon. Sinon, le câble risque de se pincer lors de l'ouverture/la fermeture du carter arrière. (Fig. 8)

### 5-3 MONTER LE SAC DE RAMASSAGE

- Pour l'installer : soulevez le carter arrière et fixez le sac de ramassage à l'arrière de la tondeuse. (Fig. 9, Fig. 10, Fig. 11)
- Pour le retirer : soulevez le carter arrière, retirez le sac de ramassage.

La partie supérieure du sac de ramassage comporte un indicateur de niveau qui signale si le sac est vide ou plein (Fig. 12A, Fig. 12B):

- L'indicateur de niveau augmente si le sac n'est pas plein pendant la tonte. (Fig. 12B)
- Si le sac est plein, l'indicateur diminue. Dans ce cas, cessez immédiatement de tondre et videz le sac, assurez-vous qu'il est propre et que ses aérations ne sont pas obstruées. (Fig. 12A)

#### IMPORTANT

Si l'emplacement de l'ouverture de l'indicateur est très sale, celui-ci n'augmentera pas. Dans ce cas, nettoyez immédiatement l'emplacement de l'ouverture de l'indicateur.

## 6. RÉGLAGE DE LA HAUTEUR DE COUPE

Pour régler la hauteur de coupe, fixez les roues dans le trou approprié.

Toutes les roues doivent être montées à la même hauteur.

La hauteur (entre la lame et le sol) peut être réglée entre 20 mm et 55 mm (3 hauteurs) : (Fig. 13)

Réglage minimal : 20 mm (position (1)) ; réglage moyen : 40 mm (position (2)) ; réglage maximal : 55 mm (position (3)).



**AVERTISSEMENT** : Débranchez le cordon électrique de l'alimentation.



**AVERTISSEMENT** : Ne procédez à ce réglage que lorsque la lame est arrêtée.

## 7. PRÉCAUTIONS DE SÉCURITÉ

- Utilisez toujours le déflecteur ou le sac de ramassage dans la position correcte.
- Arrêtez toujours le moteur avant de retirer le sac de ramassage ou de régler la hauteur de coupe.
- Avant la tonte, éliminez tout objet de la pelouse qui pourrait être projeté par la machine. Pendant la tonte, faites attention aux objets que vous avez pu manquer. (Fig. 14)
- Ne soulevez jamais l'arrière de la tondeuse au démarrage du moteur ou au cours d'un fonctionnement normal. (Fig. 15)
- Ne placez jamais vos mains sous le sous-bac ou dans la goulotte d'éjection arrière avec le moteur en fonctionnement. (Fig. 16)

## 8. DÉMARRAGE

Avant de brancher la tondeuse à une prise électrique, assurez-vous que la tension d'alimentation est de 230 V ~ 50 Hz.

Avant de démarrer la tondeuse, installez la rallonge dans le clip de maintien du câble. (Fig. 17)

Lorsque la tondeuse est sous tension, le témoin s'allume. (Fig. 18)

Pour démarrer le moteur, procédez comme suit. (Fig. 19)

- Appuyez sur le bouton de blocage (1).
- En même temps, tirez le guidon d'interrupteur (2) et gardez-le en main.

Poussez la tondeuse avec les mains lorsque le moteur est en fonctionnement.

Si vous relâchez le guidon d'interrupteur, le moteur s'arrête.



**ATTENTION** : La lame commence à tourner dès que le moteur est mis en marche.



**AVERTISSEMENT** : Les éléments coupants continuent à tourner après l'arrêt du moteur.

## 9. LAME

La lame est constituée d'acier embouti. Il sera nécessaire de la reformer fréquemment (avec une meule).

Assurez-vous qu'elle est toujours équilibrée (une lame non équilibrée provoquera des vibrations dangereuses).

Pour vérifier l'équilibre, insérez une barre ronde dans le trou central et soutenez la lame horizontalement. (Fig. 20)

Une lame équilibrée restera horizontale. Si la lame n'est pas équilibrée, l'extrémité lourde ira vers le bas.

Reformez l'extrémité lourde jusqu'à ce que la lame soit correctement équilibrée. (Fig. 21) Pour retirer la lame (2), dévissez la vis de la lame (3). (Fig. 22, Fig. 23, Fig. 24)

Vérifiez l'état du ventilateur (1), et remplacez toutes les pièces qui ont été endommagées. (Fig. 22)

Lors du remontage, assurez-vous que les bords coupants sont orientés dans le sens de rotation du moteur. Le couple de serrage de la vis de la lame (3) doit être compris entre 20 et 25 Nm.



**AVERTISSEMENT** : lors de l'entretien, remplacez la lame par une lame : MAKITA 263001422 (pour ELM3311) et MAKITA 263001414 (pour ELM3711) uniquement.

## 10. RALLONGES ÉLECTRIQUES

Vous devez utiliser uniquement des rallonges pour l'extérieur, destinées aux travaux normaux et d'une section transversale d'au moins 1,0 mm<sup>2</sup>.

Avant l'utilisation, vérifiez que les câbles d'alimentation et les rallonges n'ont pas été endommagés au cours de l'utilisation, débranchez le câble si vous voyez des signes d'endommagement ou d'usure. Si le câble est endommagé au cours de l'utilisation, débranchez-le de la prise immédiatement. **NE TOUCHEZ PAS LE CÂBLE AVANT DE DÉBRANCHER LA PRISE.** N'utilisez pas l'appareil si le câble est endommagé ou usé. Maintenez la rallonge éloignée des éléments coupants.



**AVERTISSEMENT** : Assurez-vous toujours que les ouvertures de ventilation ne sont pas obstruées par des débris.

## 11. MAINTENANCE ET ENTRETIEN



**AVERTISSEMENT** : Avant d'effectuer toute tâche de maintenance ou de nettoyage, débranchez toujours la fiche !

Ne vaporisez pas d'eau sur l'appareil. L'entrée d'eau peut détruire l'unité de combinaison interrupteur/fiche et le moteur électrique. Nettoyez l'appareil avec un chiffon, une brosse à main, etc.

**Une inspection experte est nécessaire, ne faites pas de réglage vous-même, vous devez contacter le centre de service autorisé Makita :**

- si la tondeuse heurte un objet.
- si le moteur s'arrête subitement.
- si la lame est courbée (ne pas l'aligner !)
- si l'arbre de moteur est courbé (ne pas l'aligner !)
- si un court-circuit se produit lorsque le câble est branché.
- si les roues sont endommagées.
- si la courroie trapézoïdale est défectueuse.



## 12. RÉOLUTION DES PROBLÈMES



**AVERTISSEMENT** : Avant d'effectuer une tâche de maintenance ou de nettoyage, débranchez toujours la fiche et attendez que la lame se soit arrêtée.

Panne	Action corrective
Le moteur ne tourne pas	Vérifiez le câble de connexion. Commencez par une zone où l'herbe est courte ou a déjà été tondue. Nettoyez le canal/l'ensemble d'éjection ; la lame de la tondeuse doit tourner librement. Corrigez la hauteur de coupe.
La puissance du moteur faiblit	Corrigez la hauteur de coupe. Nettoyez le canal/l'ensemble d'éjection. Faites affûter/remplacer la lame de la tondeuse → centre de service autorisé.
Le sac de ramassage n'est pas rempli	Corrigez la hauteur de coupe. Laissez l'herbe sécher. Faites affûter/remplacer la lame de la tondeuse → centre de service autorisé. Nettoyez la grille du sac de ramassage. Nettoyez le canal/l'ensemble d'éjection.
La roue motrice ne fonctionne pas	Réglez le câble flexible. Vérifiez la courroie trapézoïdale/les roues → centre de service autorisé. Vérifiez que les roues motrices ne sont pas endommagées.



**ATTENTION** : Les pannes ne pouvant pas être rectifiées à l'aide de ce tableau ne peuvent être rectifiées que par le centre de service autorisé Makita.

## 13. ÉLIMINATION ÉCOLOGIQUE



Selon la directive 2002/96/CE de l'UE sur les équipements électriques et électroniques et leur implémentation dans la réglementation nationale, tous les outils électriques doivent être collectés séparément et recyclés de façon écologique. Autre méthode

d'élimination : Si le propriétaire de l'outil électrique ne retourne pas l'outil au fabricant, il est responsable de l'élimination appropriée dans un centre de collecte défini qui prépare l'appareil pour le recyclage en fonction des lois et réglementations nationales sur le recyclage. Cela n'inclut pas les accessoires et outils dépourvus de composants électriques ou électroniques.

**Pour les pays d'Europe uniquement**  
**Déclaration de conformité CE**  
**Nous, Makita Corporation, en tant que fabricant responsable, déclarons que la ou les machines Makita suivantes :**

Nom de la machine : Tondeuse

N° de modèle/Type : ELM3311, ELM3711

Spécifications : Voir « 4. CARACTÉRISTIQUES TECHNIQUES » sont produites en série et **sont conformes aux directives européennes suivantes :**

2004/108/CE, 2006/42/CE, 2000/14/CE et 2005/88/CE, 2006/95/CE

et sont produites conformément aux normes ou documents de normalisation suivants :

EN 60335, EN 62233, EN 55014, EN 61000

La documentation technique est disponible auprès de :

Makita International Europe Ltd.,  
Michigan Drive, Tongwell,  
Milton Keynes, MK15 8JD, Angleterre

La procédure d'évaluation de la conformité requise par la directive 2000/14/CE est conforme à l'annexe VI.

Organisme notifié :

TÜV SÜD Industrie Service GmbH  
Westendstraße 199, D-80686 München  
Numéro d'identification : 0036

Modèle : ELM3311

Niveau de puissance sonore mesurée : 87,7 dB (A)

Niveau de puissance sonore garantie : 96 dB (A)

Modèle : ELM3711

Niveau de puissance sonore mesurée : 91,0 dB (A)

Niveau de puissance sonore garantie : 96 dB (A)

30. 11. 2012

Tomoyasu Kato  
Directeur

Makita Corporation  
3-11-8, Sumiyoshi-cho,  
Anjo, Aichi, 446-8502, JAPAN

**Erklärung der Gesamtdarstellung**

- |                          |                               |                               |
|--------------------------|-------------------------------|-------------------------------|
| 1. Oberer Griff          | 9. Vorderes Rad               | 17. Die vordere Radabdeckung  |
| 2. Schaltkasten          | 10. Motorabdeckung            | 18. Das vordere Rad           |
| 3. Sicherheitsdrucktaste | 11. Unterer Griff             | 19. Die vordere Radaufhängung |
| 4. Arretierhebel         | 12. Kabelhaken                | 20. Hintere Abdeckung         |
| 5. Kabelklemme           | 13. Schaltergriff             | 21. Füllstandsanzeige         |
| 6. Grasfänger            | 14. Die hintere Radabdeckung  | 22. Anzeigenleuchte           |
| 7. Hinteres Rad          | 15. Das hintere Rad           |                               |
| 8. Bodenwanne            | 16. Die hintere Radaufhängung |                               |

**LERNEN SIE IHREN ELEKTRO-RASENMÄHER KENNEN**

Lesen Sie diese Anleitung aufmerksam durch und befolgen Sie die empfohlenen Sicherheitshinweise vor, während und nach der Verwendung des Elektro-Rasenmähers. Durch Einhalten dieser einfachen Anweisungen halten Sie den Elektro-Rasenmäher auch in einem guten Zustand. Machen Sie sich vor der Verwendung des Rasenmähers mit den Steuerungen vertraut; stellen Sie vor allem sicher, dass Sie wissen, wie Sie den Rasenmäher im Notfall stoppen können. Bewahren Sie diese Bedienungsanleitung sowie alle anderen, mit den Rasenmäher gelieferten Unterlagen zum späteren Nachschlagen gut auf.

**1. SYMBOLE AM PRODUKT**



Lesen Sie dieses Anleitung aufmerksam durch, bevor Sie den Elektro-Rasenmäher verwenden und bewahren Sie sie zum späteren Nachschlagen an einem sicheren Ort auf.



Halten Sie umstehende Personen fern.



Achten Sie auf die scharfen Messer.



Halten Sie das flexible Netzkabel in einem Abstand zu den Schnittmessern.



**GEFAHRENSYMBOL:** Bedeutet ACHTUNG oder WARNUNG und wird möglicherweise in Verbindung mit anderen Symbolen oder Piktogrammen verwendet.

**DOPPELT SCHUTZISOLIERT**



Ihr Rasenmäher ist doppelt schutzisoliert.

Das bedeutet, dass alle externen Bauteile elektrisch von der Stromversorgung isoliert sind. Dies wird durch eine zusätzliche Isolierung zwischen elektrischen und mechanischen Bauteilen erreicht.

**2. ALLGEMEINE SICHERHEITSREGELN**

Mit diesen Sicherheitsregeln sollen Sie auf mögliche Gefahren aufmerksam gemacht werden. Achten Sie unbedingt auf die Sicherheitssymbole und machen Sie sich mit der Bedeutung dieser Symbole vertraut. Die Sicherheitswarnungen selbst verhindern noch keine Gefahr. Die Anweisungen und Warnungen ersetzen keine entsprechenden Maßnahmen zur Unfallvermeidung.



**WARNUNG:** Das Nichtbeachten einer Sicherheitswarnung kann zu ernsthaften Verletzungen bei Ihnen oder anderen Personen führen. Befolgen Sie stets die Sicherheitsmaßnahmen, um die Gefahr eines Brandes, eines elektrischen Schlages oder von Personenschäden zu vermeiden. Heben Sie diese Betriebsanleitung auf und schlagen Sie für einen fortwährenden sicheren Betrieb und zur Anleitung anderer Benutzer dieses Werkzeugs in dieser Betriebsanleitung nach.



**WARNUNG:** Während des Betriebs erzeugt diese Maschine ein elektromagnetisches Feld. Unter bestimmten Umständen kann dieses Feld Auswirkungen auf aktive oder passive medizinische Implantate haben. Zur Verminderung der Gefahr ernsthafter oder tödlicher Verletzungen empfehlen wir Personen mit medizinischen Implantaten, sich vor der Bedienung dieses Geräts an einen Arzt oder den Hersteller des medizinischen Implantats zu wenden.



**WARNUNG:** Jegliche Arbeiten mit Werkzeugen können dazu führen, dass Fremdkörper in Ihre Augen gelangen, die ernsthafte Augenverletzungen verursachen. Setzen Sie vor Beginn der Arbeiten mit Elektrowerkzeugen stets eine Schutzbrille mit Seitenschutz und – falls erforderlich – Gesichtsschutz auf. Wir empfehlen, über einer Brille eine Sicherheitsmaske

mit breitem Sichtfeld bzw. eine Standardsicherheitsbrille mit Seitenschutz zu tragen.

- 1) Lesen Sie alle Anweisungen aufmerksam durch. Machen Sie sich mit der Bedienung und der ordnungsgemäßen Verwendung des Gerätes vertraut.
- 2) Erlauben Sie Kindern und Personen, die diese Anleitungen nicht kennen, NIEMALS den Gebrauch des Elektro-Rasenmähers. Das Mindestalter für den Bediener kann durch geltende Gesetze und Bestimmungen geregelt sein.
- 3) Mähen Sie niemals, wenn Personen, vor allem Kinder, oder Haustiere in der Nähe sind.
- 4) Beachten Sie, dass der Bediener für Unfälle mit oder Gefahren für andere Personen oder deren Eigentum verantwortlich ist.
- 5) Tragen Sie während des Mähens stets festes Schuhwerk und lange Hosen. Arbeiten Sie nicht barfuß oder mit offenen Sandalen.
- 6) Überprüfen Sie sorgfältig das zu mähende Gelände und entfernen Sie alle Gegenstände, die von dem Mäher weggeschleudert werden könnten.
- 7) Führen Sie vor jedem Gebrauch eine Sichtprüfung der Schneidklingen, Schrauben und Schnitteinheit auf Verschleiß und Beschädigungen durch. Tauschen Sie verschlissene oder beschädigte Schneidklingen und Schrauben nur satzweise aus, um eine Unwucht zu vermeiden.
- 8) Mähen Sie ausschließlich bei Tageslicht oder ausreichendem Kunstlicht.
- 9) Vermeiden Sie, wenn möglich, den Betrieb des Mähers in feuchtem Gras.
- 10) Achten Sie auch an Hängen immer auf einen sicheren Stand.
- 11) Gehen Sie beim Mähen, rennen Sie niemals beim Mähen.
- 12) Mähen Sie bei Walzenmähern quer zum Hang, niemals nach oben und unten.
- 13) Seien Sie besonders vorsichtig, wenn Sie die Richtung am Hang ändern.
- 14) Mähen Sie nicht an Hängen mit übermäßiger Neigung.
- 15) Seien Sie besonders vorsichtig, wenn Sie den Elektro-Rasenmäher wenden oder zu sich heranziehen.
- 16) Stoppen Sie das Schnittwerkzeug, wenn der Elektro-Rasenmäher beim Transport geneigt werden muss, z.B. beim Überqueren von Flächen, die kein Rasen sind, oder beim Transport vom und zum zu mähenden Gelände.
- 17) Verwenden Sie den Elektro-Rasenmäher niemals mit defekten oder fehlenden Schutzvorrichtungen, beispielsweise ohne Schutzbleche und/oder Grasfänger.
- 18) Starten Sie den Motor vorsichtig entsprechend den Anweisungen und mit ausreichendem Abstand zwischen Füßen und Schnittwerkzeug.
- 19) Kippen Sie den Elektro-Rasenmäher beim Einschalten nicht, außer wenn der Elektro-Rasenmäher zum Starten gekippt werden muss. Kippen Sie in diesem Fall den Elektro-Rasenmäher nicht weiter als notwendig und heben Sie nur den Teil an, der nicht zum Bediener zeigt.
- 20) Starten Sie den Motor nicht, wenn Sie vor der Auswurföffnung stehen.

- 21) Halten Sie weder Hände noch Füße in die Nähe oder unter rotierende Teile. Achten Sie jederzeit auf ausreichenden Abstand zur Auswurföffnung.
- 22) Heben oder tragen Sie einen Elektro-Rasenmäher niemals mit laufendem Motor.
- 23) Halten Sie in folgenden Fällen den Motor an und ziehen Sie den Netzstecker ab:
  - vor dem Lösen von Blockierungen oder vor dem Reinigen des Auswurfs;
  - vor dem Prüfen, Reinigen oder Arbeiten am Elektro-Rasenmäher;
  - nach dem Anschlagen an Fremdkörper. Überprüfen Sie den Elektro-Rasenmäher auf Beschädigungen und nehmen Sie ggf. Reparaturen vor, bevor Sie den Elektro-Rasenmäher wieder starten und den Betrieb fortsetzen;
  - falls der Elektro-Rasenmäher ungewöhnlich zu vibrieren beginnt (sofort überprüfen).
- 24) Stoppen Sie den Mäher in folgenden Fällen:
  - wenn Sie den Elektro-Rasenmäher verlassen.
- 25) Überprüfen Sie, dass alle Muttern, Bolzen und Schrauben stets festgezogen sind, um sichere Arbeitsbedingungen zu gewährleisten.
- 26) Überprüfen Sie den Grasfänger häufig auf Verschleiß oder Zerstörung.
- 27) Ersetzen Sie verschlissene oder beschädigte Teile zu Ihrer Sicherheit.
- 28) Verwenden Sie den Elektro-Rasenmäher nicht, wenn das Netzkabel beschädigt oder verschlissen ist.
- 29) Schließen Sie ein beschädigtes Netzkabel nicht an die Stromversorgung an und berühren Sie ein beschädigtes Kabel erst, wenn es von der Stromversorgung getrennt wurde. Ein beschädigtes Kabel kann in Kontakt mit stromführenden Teilen kommen.
- 30) Berühren Sie das Schnittmesser erst, wenn das Netzkabel von der Stromversorgung getrennt wurde und das Messer zum völligen Stillstand gekommen ist.
- 31) Halten Sie Verlängerungskabel vom Schnittmesser fern. Das Schnittmesser kann das Kabel beschädigen und mit stromführenden Teilen in Kontakt kommen.
- 32) Ziehen Sie in den folgenden Fällen den Netzstecker aus der Steckdose:
  - immer, wenn der Mäher unbeaufsichtigt ist;
  - bevor Sie eine Verstopfung beheben;
  - vor dem Prüfen, Reinigen oder Arbeiten an der Maschine;
  - nach dem Anschlagen an Fremdkörper;
  - immer, wenn der Mäher abnormal zu vibrieren beginnt.
- 33) Kleinkinder sind zu beaufsichtigen, um sicherzustellen, dass sie nicht mit diesem Gerät spielen.
- 34) Dieses Gerät darf nicht von Personen (einschließlich Kindern) mit verminderten physischen, sensorischen oder psychischen Fähigkeiten oder fehlenden Erfahrungen und Kenntnissen bedient werden, es sei denn, sie werden beaufsichtigt oder wurden in der Anwendung des Geräts von einem Sicherheitsverantwortlichen unterwiesen.
- 35) Bei einem beschädigten Netzkabel muss dieses durch ein spezielles Netzkabel ersetzt werden, das Sie beim Hersteller oder Kundendienst erhalten.

- 36) Die Maschine sollte für einen sicheren Betrieb mit einem RCD-Schutzschalter (GFCI, früher als FI-Schutzschalter bezeichnet) mit einem Auslösestrom von max. 30 mA ausgestattet sein.
- 37) Achten Sie beim Vornehmen von Einstellungen darauf, dass Ihre Finger nicht zwischen sich bewegende Schneidmesser und feste Teilen des Rasenmähers geraten.
- 38) Lassen Sie die Maschine vor der Lagerung immer abkühlen.
- 39) Beachten Sie bei Arbeiten an den Schneidmessern, dass sich die Schneidmesser auch bei ausgeschalteter Stromversorgung drehen können.
- 40) Ersetzen Sie aus Sicherheitsgründen beschädigte oder verschlissene Teile; Verwenden Sie nur Original-Ersatzteile und Zubehör.
- 41) Achten Sie beim Vornehmen von Einstellungen darauf, dass Ihre Finger nicht zwischen sich

- bewegende Schneidmesser und feste Teilen des Rasenmähers geraten.
- 42) Prüfen Sie vor der Verwendung Steckdose, Stecker und Kabel/Verlängerungskabel auf Anzeichen von Schäden oder Verschleiß. Falls das Kabel während der Arbeiten beschädigt wird, trennen Sie das Kabel sofort von der Stromversorgung. **BERÜHREN SIE DAS KABEL ERST, NACHDEM ES VON DER STROMVERSORGUNG GETRENNT WURDE.** Verwenden Sie das Gerät nicht, wenn das Kabel beschädigt oder verschlissen ist.
- 43) Um Gefahren zu vermeiden, muss ein beschädigtes Stromversorgungskabel vom Hersteller, seinem Kundendienstbeauftragten oder einer entsprechend qualifizierten Person ausgetauscht werden.

### 3. BESCHREIBUNG DER BAUTEILE (Abb. 1)

## 4. TECHNISCHE DATEN

Modell:	ELM3311	ELM3711
Nennspannung:	230 V~	230 V~
Nennfrequenz:	50 Hz	50 Hz
Nennleistung:	1.100 W	1.300 W
Drehzahl ohne Last:	2.900 U/min	2.900 U/min
Schnittbreite:	330 mm	370 mm
Garantierter Schalleistungspegel:	96 dB (A)	96 dB (A)
$L_{pA}$ (SLP) am Standort des Benutzers:	75,4 dB (A), K = 3 dB (A)	77,6 dB (A), K = 3 dB (A)
Garantierte Vibration:	0,672 m/s <sup>2</sup> , K=1,5 m/s <sup>2</sup>	0,917 m/s <sup>2</sup> , K=1,5 m/s <sup>2</sup>
Volumen des Grasfängers:	27 l	35 l
Nettogewicht:	13,1 kg	14,9 kg
Schutzklasse gegen Feuchtigkeit:	IP24	IP24
Höheneinstellung:	20/40/55 mm, 3 Anpassung	20/40/55 mm, 3 Anpassung

## 5. MONTAGE

### 5-1 RADMONTAGE

Setzen Sie jeweils die Achse der vorderen und hinteren Radabdeckung in das Rad ein und befestigen Sie es mit einer Schraube in der Öffnung der Radaufhängung. (Abb. 2)



**WARNUNG:** Alle Räder müssen auf gleicher Höhe sein.

### 5-2 MONTAGE DES KLAPPBAREN GRIFFS

- A) Stecken Sie die unteren Lenkerstangen in die Befestigungslöcher der Bodenwanne, und ziehen Sie die mitgelieferte Schraube mit einem Schraubendreher fest. (Abb. 3, Abb. 4, Abb. 5)
- B) Verbinden Sie den oberen und unteren Griff mit dem Arretierhebel. (Abb. 6, Abb. 7)
- C) Verlegen Sie das Kabel über dem Griffrohr. Klemmen Sie es in der Mitte des unteren Griffs mit der Kabelklemme fest, sodass das Kabel an der Außenseite des Mähers fixiert ist. Andernfalls kann

das Kabel beim Öffnen/Schließen der hinteren Abdeckung verkleben. (Abb. 8)

### 5-3 MONTAGE DES GRASFÄNGERS

- Einsetzen: Heben Sie die hintere Abdeckung an und haken Sie den Grasfänger hinten am Mäher ein. (Abb. 9, Abb. 10, Abb. 11)
- Entfernen: Heben Sie die hintere Abdeckung an und entfernen Sie den Grasfänger.

An der Oberseite des Grasfängers ist eine Füllstandsanzeige angebracht, die Ihnen zeigt, ob der Fänger leer oder voll ist (Abb. 12A, Abb. 12B):

- Die Füllstandsanzeige wird durch Luft nach oben gedrückt, wenn der Fänger während des Mähens noch nicht voll ist. (Abb. 12B)
- Ist der Fänger voll, klappt die Anzeige nach unten. Wenn dies geschieht, unterbrechen Sie sofort den Mähvorgang und leeren Sie den Fänger. Stellen Sie sicher, dass er sauber ist und dass Luft durch das Maschenwerk gelangt. (Abb. 12A)

#### WICHTIG

Wenn die Öffnungen an der Anzeige stark verschmutzt sind, wird die Anzeige nicht nach oben gedrückt. Reinigen Sie in diesem Fall sofort die Öffnungen an der Anzeige.

## 6. ANPASSEN DER SCHNITTHÖHE

Die Schnitthöhe kann durch Einsetzen der Räder in den erforderlichen Durchbruch angepasst werden.

Alle Räder müssen auf gleicher Höhe sein.

Die Höhe (der Schneidklinge über dem Boden) kann zwischen 20 mm und 55 mm eingestellt werden (3 Höhenstufen). (Abb. 13)

Die niedrigste Stufe: 20 mm (Stufe (1)); die mittlere Stufe: 40 mm (Stufe (2)); die höchste Stufe: 55 mm (Stufe (3)).



**WARNUNG:** Trennen Sie das Netzkabel von der Stromversorgung.



**WARNUNG:** Nehmen Sie diese Einstellung nur bei angehaltener Schneidklinge vor.

## 7. ARBEITSSCHUTZ

- Betreiben Sie den Rasenmäher nur mit ordnungsgemäß montiertem Schutzblech und Grasfänger.
- Stoppen Sie stets den Motor, bevor Sie den Grasfänger entfernen oder die Höhe der Schnittposition verändern.
- Entfernen Sie vor dem Mähen alle Fremdkörper vom Rasen, die durch die Maschine weggeschleudert werden können. Achten Sie während des Mähens auf Fremdkörper, die Sie übersehen haben könnten. (Abb. 14)
- Heben Sie während Startens des Motors oder des Mähens niemals den hinteren Teil des Rasenmähers an. (Abb. 15)
- Halten Sie Ihre Hände oder Füße niemals unter die Bodenwanne oder in die rückseitige Auswurföffnung, während der Motor läuft. (Abb. 16)

## 8. STARTEN

Vergewissern Sie sich vor dem Anschließen des Elektro-Rasenmähers an die Stromversorgung, dass die Versorgungsspannung 230 V mit 50 Hz beträgt.

Befestigen Sie das Verlängerungskabel vor dem Start des Elektro-Rasenmähers im Kabelhaken. (Abb. 17)

Wenn der Elektro-Rasenmäher mit Strom versorgt wird, leuchtet die Anzeige auf. (Abb. 18)

Starten Sie den Motor wie folgt: (Abb. 19)

- Drücken Sie die Sicherheitsdrucktaste (1).
- Ziehen Sie währenddessen am Schaltergriff (2) und halten Sie diesen fest.

Schieben Sie den Elektro-Rasenmäher bei laufendem Motor vorwärts.

Wenn Sie den Schaltergriff loslassen, stoppt der Motor.



**ACHTUNG:** Das Schnittmesser beginnt sich zu drehen, sobald der Motor gestartet wird.



**WARNUNG:** Die Schneidelemente drehen sich nach dem Ausschalten des Motors eine gewisse Zeit weiter.

## 9. SCHNITTBLATT

Das Schnittblatt ist aus Pressstahl gefertigt. Es muss regelmäßig (mit einer Schleifscheibe) neu geschärft werden.

Stellen Sie sicher, dass das Schnittblatt stets ausgewuchtet ist (ein unausgewuchtetes Schnittblatt verursacht gefährliche Vibrationen). Stecken Sie zum Prüfen der Auswuchtung einen runden Stab in das Mittelloch und halten Sie das Schnittblatt horizontal.

(Abb. 20) Ein ausgewuchtetes Schnittblatt bleibt dabei horizontal. Bei einem unausgewuchtetem Schnittblatt dreht sich das schwerere Ende nach unten. Schleifen Sie das schwere Ende, bis das Schnittblatt wirklich ausgewuchtet ist. (Abb. 21) Zum Entfernen des Schnittblattes (2) lösen Sie die Blattschraube (3).

(Abb. 22, Abb. 23, Abb. 24)

Prüfen Sie den Zustand des Ventilators (1) und tauschen Sie beschädigte Teile aus. (Abb. 22)

Stellen Sie bei der Wiedermontage sicher, dass die Schnittkanten in Richtung der Motorrotation zeigen. Die Blattschraube (3) muss mit einem Moment von 20 bis 25 Nm festgezogen werden.



**WARNUNG:** Tauschen Sie bei der Wartung das Schnittblatt aus durch: nur MAKITA 263001422 (für ELM3311) und MAKITA 263001414 (für ELM3711).

## 10. VERLÄNGERUNGSKABEL

Verwenden Sie ausschließlich Verlängerungskabel, die für die Verwendung im Freien zugelassen sind, für Normalbelastung mit einem Leiterquerschnitt von mindestens 1,0 mm<sup>2</sup>.

Überprüfen Sie die Netz- und Verlängerungskabel vor der Verwendung auf Anzeichen einer Beschädigung und trennen Sie das Kabel bei Anzeichen einer Beschädigung oder von Verschleiß ab. Falls das Kabel während der Arbeiten beschädigt wird, trennen Sie das Kabel sofort von der Stromversorgung. **BERÜHREN SIE DAS KABEL ERST, NACHDEM ES VON DER STROMVERSORGUNG GETRENNT WURDE.** Verwenden Sie das Gerät nicht, wenn das Kabel beschädigt oder verschlissen ist. Halten Sie Verlängerungskabel von Schneidwerkzeugen fern.



**WARNUNG:** Achten Sie stets darauf, dass die Belüftungsöffnungen frei von Fremdkörpern sind.

## 11. WARTUNG UND PFLEGE



**WARNUNG:** Ziehen Sie vor der Durchführung von Wartungs- oder Reinigungsarbeiten stets den Netzstecker heraus!

Besprühen Sie die Maschine nicht mit Wasser. Das Eindringen von Wasser kann die Schalter und den Elektromotor zerstören. Reinigen Sie die Maschine mit einem Tuch, einer Handbürste usw.

**In den folgenden Fällen ist eine Inspektion fällig; nehmen Sie keine Einstellungen selbst vor, wenden Sie sich an ein von Makita autorisiertes Servicezentrum:**

- a) Der Elektro-Rasenmäher stößt auf einen Gegenstand.
- b) Der Motor stoppt plötzlich.
- c) Das Schnittmesser ist verbogen. (Richten Sie es nicht!)
- d) Die Motorwelle ist verbogen. (Richten Sie sie nicht!)
- e) Ein Kurzschluss tritt auf, wenn das Netzkabel angeschlossen wird.
- f) Das Getriebe ist beschädigt.
- g) Der Keilriemen ist defekt.

## 12. FEHLERBEHEBUNG



**WARNUNG:** Ziehen Sie vor der Durchführung von Wartungs- oder Reinigungsarbeiten stets den Netzstecker heraus und warten Sie, bis das Schnittmesser zum Stillstand kommt.

Problem	Abhilfe
Motor dreht sich nicht	Prüfen Sie den Netzkabelanschluss. Beginnen Sie bei kurzem Gras oder in einem bereits gemähtem Bereich. Reinigen Sie den Auswurfkanal bzw. das Gehäuse. Das Schnittblatt muss sich frei drehen. Korrigieren Sie die Schnitthöhe.
Motorleistung fällt ab	Korrigieren Sie die Schnitthöhe. Reinigen Sie den Auswurfkanal bzw. das Gehäuse. Lassen Sie das Schnittwerkzeug nachschärfen/ersetzen → autorisiertes Servicezentrum.
Grasfänger wird nicht gefüllt	Korrigieren Sie die Schnitthöhe. Lassen Sie den Rasen trocknen. Lassen Sie das Schnittwerkzeug nachschärfen/ersetzen → autorisiertes Servicezentrum. Reinigen Sie das Gitter am Grasfänger. Reinigen Sie den Auswurfkanal bzw. das Gehäuse.
Radantrieb funktioniert nicht	Richten Sie das flexible Kabel aus. Prüfen Sie den Keilriemen/das Getriebe → autorisiertes Servicezentrum. Prüfen Sie die Antriebsräder auf Beschädigungen.



**ACHTUNG:** Bei Problemen, die nicht anhand dieser Tabelle gelöst werden können, wenden Sie sich an ein von Makita autorisiertes Servicezentrum.

## 13. UMWELTGERECHTE ENTSORGUNG



Gemäß der Europäischen Richtlinie 2002/96/EG zu Elektro- und Elektronik-Altgeräten sowie der Umsetzung in nationales Recht müssen alle Elektrowerkzeuge getrennt gesammelt und einer umweltgerechten Wiederverwertung zugeführt werden.

Alternative Entsorgung: Falls der Eigentümer eines Elektrogeräts das Gerät nicht an den Hersteller zurücksendet, ist der Eigentümer für eine ordnungsgemäße Entsorgung am zuständigen Wertstoffhof verantwortlich, von dem das Gerät gemäß den nationalen Recycling-Bestimmungen entsorgt wird. Davon ausgenommen sind Zubehörteile und Werkzeuge ohne elektrische oder elektronische Komponenten.

### Nur für europäische Länder

#### EG-Konformitätserklärung

**Wir, Makita Corporation als verantwortlicher Hersteller, erklären, dass die folgende(n) Maschine(n) der Marke Makita:**

Bezeichnung der Maschine(n): Elektro-Rasenmäher  
 Nummer/Typ des Modells: ELM3311, ELM3711  
 Technische Daten: Siehe „4. TECHNISCHE DATEN“ in Serienfertigung hergestellt wird/werden und den folgenden Richtlinien der Europäischen Union genügt/genügen:

2004/108/EG, 2006/42/EG, 2000/14/EG und 2005/88/EG, 2006/95/EG

Außerdem werden die Geräte gemäß den folgenden Standards oder Normen gefertigt:

EN 60335, EN 62233, EN 55014, EN 61000

Die technische Dokumentation erfolgt durch:

Makita International Europe Ltd.,  
 Michigan Drive, Tongwell,  
 Milton Keynes, MK15 8JD, England

Das Verfahren der Konformitätsbewertung, das in der Richtlinie 2000/14/EG verlangt wird, wurde in Übereinstimmung mit Anhang VI durchgeführt.

Benannte Stelle:

TÜV SÜD Industrie Service GmbH  
 Westendstraße 199, D-80686 München  
 Kennnummer der benannten Stelle: 0036

Modell: ELM3311

Gemessener Schalleistungspegel: 87,7 dB (A)  
 Garantierter Schalleistungspegel: 96 dB (A)

Modell: ELM3711

Gemessener Schalleistungspegel: 91,0 dB (A)  
 Garantierter Schalleistungspegel: 96 dB (A)

30. 11. 2012

Tomoyasu Kato  
 Direktor  
 Makita Corporation  
 3-11-8, Sumiyoshi-cho,  
 Anjo, Aichi, 446-8502, JAPAN

**Spiegazione della vista generale**

- |                          |                                      |                                     |
|--------------------------|--------------------------------------|-------------------------------------|
| 1. Impugnatura superiore | 9. Ruota anteriore                   | 17. Coperchio della ruota anteriore |
| 2. Scatola di comando    | 10. Copertura del motore             | 18. Ruota anteriore                 |
| 3. Pulsante di sicurezza | 11. Impugnatura inferiore            | 19. Supporto della ruota anteriore  |
| 4. Leva di blocco        | 12. Gancio del cavo                  | 20. Coperchio posteriore            |
| 5. Serracavo             | 13. Impugnatura di attivazione       | 21. Indicatore di livello           |
| 6. Sacco raccogliërba    | 14. Coperchio della ruota posteriore | 22. Spia                            |
| 7. Ruota posteriore      | 15. Ruota posteriore                 |                                     |
| 8. Sottocoppa            | 16. Supporto della ruota posteriore  |                                     |

**CONOSCERE IL RASAERBA**

Si prega di leggere attentamente il manuale, rispettando le istruzioni per la sicurezza consigliate prima, durante e dopo l'uso del rasaerba. Attenendosi a queste semplici istruzioni è possibile mantenere il corretto funzionamento del rasaerba. Familiarizzare con i comandi del rasaerba prima di metterlo in funzione e, soprattutto, assicurarsi di saper arrestare il rasaerba in caso di emergenza. Conservare il manuale utente e tutta la documentazione insieme al rasaerba per successive consultazioni.

**1. SIMBOLI SUL PRODOTTO**

Leggere attentamente le istruzioni prima di utilizzare il rasaerba e conservarle in un luogo sicuro per successive consultazioni.



Tenere lontani gli astanti.



Attenzione alle lame taglienti.

Togliere la spina dalla macchina prima di procedere alla manutenzione o se il cavo è danneggiato.



Tenere il cavo flessibile di alimentazione lontano dalle lame di taglio.



**SIMBOLO DI ALLARME SICUREZZA:** indica di prestare attenzione; può essere utilizzato insieme ad altri simboli o immagini.

**ISOLAMENTO DOPPIO**

Il rasaerba presenta un doppio isolamento.

Questo significa che tutte le parti esterne sono elettricamente isolate dall'alimentazione. Questo risultato è stato raggiunto inserendo una barriera isolante aggiuntiva tra le parti elettriche e meccaniche.

**2. NORME GENERALI DI SICUREZZA**

Lo scopo delle regole di sicurezza è attirare l'attenzione sui possibili pericoli. I simboli di sicurezza e le relative spiegazioni devono essere considerati con attenzione e compresi integralmente. Le avvertenze per la sicurezza in sé non eliminano il pericolo. Le istruzioni o le avvertenze che forniscono non sostituiscono le adeguate misure di prevenzione degli infortuni.



**AVVERTENZA:** la mancata ottemperanza a un'avvertenza per la sicurezza può determinare gravi infortuni all'utilizzatore o ad altri. Osservare sempre le precauzioni di sicurezza per ridurre il rischio di incendio, scosse elettriche e lesioni personali. Conservare il manuale dell'utilizzatore e rileggerlo spesso per garantire costantemente un funzionamento sicuro e addestrare altri utilizzatori.



**AVVERTENZA:** la macchina produce un campo elettromagnetico quando è in uso. In alcune circostanze il campo potrebbe interferire con impianti medicali attivi o passivi. Per ridurre il rischio di incidenti gravi o mortali, si raccomanda alle persone con impianti medicali di consultare il proprio medico e il produttore dell'impianto medicale prima di utilizzare questa macchina.



**AVVERTENZA:** la macchina in moto può provocare il lancio di corpi estranei negli occhi, con conseguenti gravi danni alla vista. Prima di avviare la macchina, indossare sempre occhiali di protezione con schermature laterali e, se necessario, uno schermo facciale completo. Si consiglia di indossare la maschera di sicurezza con ampia visuale sopra gli occhiali da vista oppure occhiali di sicurezza standard con schermature laterali.

- 1) Leggere attentamente le istruzioni. Acquisire familiarità con i comandi e con l'uso corretto dell'apparecchiatura.
- 2) Non permettere che il rasaerba venga utilizzato da bambini o da persone che non abbiano dimestichezza con le presenti istruzioni. Le leggi locali possono stabilire un'età minima per l'operatore.
- 3) Non utilizzare il rasaerba in presenza di persone, in particolare bambini, o animali nelle vicinanze.

- 4) L'operatore o l'utilizzatore è responsabile per incidenti o pericoli causati ad altre persone o alle proprietà di queste ultime.
- 5) Durante la rasatura, indossare sempre calzature robuste e pantaloni lunghi. Non utilizzare l'apparecchio a piedi nudi o se si indossano sandali aperti.
- 6) Ispezionare a fondo l'area in cui dovrà essere utilizzata la macchina e rimuovere tutti gli oggetti che potrebbero essere scagliati dalla stessa.
- 7) Prima dell'uso, ispezionare visivamente la macchina per controllare che le lame, i bulloni e il gruppo di taglio non siano usurati o danneggiati. Sostituire le lame e i bulloni usurati o danneggiati in gruppi per mantenere l'equilibratura.
- 8) Utilizzare il rasaerba solamente alla luce del giorno o con buona luce artificiale.
- 9) Se possibile, evitare di utilizzare l'apparecchiatura su erba bagnata.
- 10) Accertarsi sempre del proprio punto d'appoggio sui terreni in pendenza.
- 11) Camminare, senza correre.
- 12) Per le macchine dotate di ruote, procedere in senso trasversale al pendio e mai su e giù.
- 13) Prestare la massima attenzione ai cambi di direzione sui pendii.
- 14) Non utilizzare il rasaerba su pendii eccessivamente ripidi.
- 15) Prestare particolare attenzione durante i cambi di direzione o quando si tira il rasaerba verso di sé.
- 16) Fermare la lama se il rasaerba deve essere inclinato per il trasporto, nell'attraversare superfici non erbose, e quando il rasaerba viene trasportato da o verso l'area che deve essere tagliata.
- 17) Non azionare mai il rasaerba se le protezioni sono difettose oppure in assenza di dispositivi di sicurezza, ad esempio i deflettori e/o i sacchi raccogliherba.
- 18) Avviare o accendere il motore con attenzione, rispettando le istruzioni e tenendo i piedi ben distanti dalle lame.
- 19) Non inclinare il rasaerba durante l'avvio del motore, tranne nel caso in cui il rasaerba debba essere inclinato per iniziare il lavoro. In questo caso, non inclinarlo più del minimo necessario e sollevare solamente la parte lontana dall'operatore.
- 20) Non avviare il motore rimanendo davanti al convogliatore di scarico.
- 21) Non avvicinare mani e piedi alle parti rotanti o alle aree sottostanti. Rimanere sempre lontani dall'apertura di scarico.
- 22) Non sollevare o trasportare il rasaerba quando il motore è in funzione.
- 23) Fermare il motore e scollegare la spina:
  - prima di rimuovere le ostruzioni o di disintasar il convogliatore;
  - prima di controllare, pulire o lavorare sul rasaerba;
  - dopo aver colpito un corpo estraneo. Verificare eventuali danni sul rasaerba ed effettuare le necessarie riparazioni prima di usare nuovamente la macchina;
  - se il rasaerba inizia a vibrare in modo anomalo (eseguire un controllo immediato).
- 24) Spegner il rasaerba:
  - quando si lascia incustodito il rasaerba.
- 25) Mantenere serrati dadi, bulloni e viti per garantire che la macchina sia in condizioni di funzionamento sicure.
- 26) Controllare di frequente il sacco raccogliherba per verificarne l'usura o il deterioramento.
- 27) Sostituire le parti usurate o danneggiate per garantire la sicurezza.
- 28) Non utilizzare il rasaerba se i cavi sono danneggiati o usurati.
- 29) Non collegare un cavo danneggiato all'alimentazione e non toccare un cavo danneggiato prima di scollegarlo. Un cavo danneggiato può portare al contatto con parti in tensione.
- 30) Non toccare la lama prima di scollegare la macchina dall'alimentazione e prima che la lama si sia completamente fermata.
- 31) Mantenere le prolunge a distanza dalla lama. La lama può causare danni ai cavi e portare al contatto con parti in tensione.
- 32) Scollegare l'alimentazione (estrarre la spina dalla presa):
  - quando si lascia incustodita la macchina;
  - prima di rimuovere un'ostruzione;
  - prima di controllare, pulire o eseguire qualsiasi operazione sulla macchina;
  - dopo aver colpito un corpo estraneo;
  - se la macchina inizia a vibrare in modo anomalo.
- 33) I bambini devono essere tenuti sotto controllo per evitare che giochino con la macchina.
- 34) Questo prodotto non è destinato all'uso da parte di persone (bambini inclusi) con ridotte capacità fisiche, sensoriali o mentali, o con scarsa esperienza e conoscenza del prodotto, a meno che non siano sotto supervisione o non ricevano istruzioni sull'uso della macchina da una persona responsabile della loro sicurezza.
- 35) Se il cavo di alimentazione è danneggiato deve essere sostituito con un cavo speciale messo a disposizione dal produttore o dal responsabile dell'assistenza.
- 36) Le istruzioni per un funzionamento corretto della macchina raccomandano di alimentare la macchina per mezzo di un differenziale (RCD, Residual Current Device) con una corrente di sgancio non superiore a 30 mA.
- 37) Prestare attenzione durante la regolazione della macchina ad evitare che le dita rimangano intrappolate tra le lame in movimento e le parti fisse della macchina.
- 38) Attendere sempre il raffreddamento della macchina prima di riparla.
- 39) Durante la manutenzione delle lame tener presente che, anche se l'alimentazione è spenta, le lame potrebbero ancora muoversi.
- 40) Sostituire le parti usurate o danneggiate per garantire la sicurezza. Utilizzare solo pezzi di ricambio e accessori originali.
- 41) Prestare attenzione durante la regolazione del dispositivo ad evitare che le dita rimangano intrappolate tra le lame in movimento e le parti fisse del dispositivo.
- 42) Prima di usare la macchina, controllare la presenza di danni o segni di usura sul cavo di alimentazione e sulla prolunga. Se il cavo si danneggia durante l'uso, scollegarlo immediatamente dall'alimentazione. NON



TOCCARE IL CAVO PRIMA DI SCOLLEGARE L'ALIMENTAZIONE. Non utilizzare la macchina se il cavo è danneggiato o usurato.

- 43) Se il cavo di alimentazione è danneggiato, deve essere sostituito dal produttore, dal tecnico addetto

all'assistenza o da altro personale qualificato per evitare potenziali pericoli.

## 3. DESCRIZIONE DELLE PARTI (Fig. 1)

## 4. DATI TECNICI

Modello:	ELM3311	ELM3711
Tensione nominale:	230 V~	230 V~
Frequenza nominale:	50 Hz	50 Hz
Potenza nominale:	1.100 W	1.300 W
Velocità a vuoto:	2.900/min	2.900/min
Larghezza di taglio:	330 mm	370 mm
Livello di potenza acustica garantito:	96 dB (A)	96 dB (A)
L <sub>pA</sub> (SPL) presso la sede dell'operatore:	75,4 dB (A), K=3 dB (A)	77,6 dB (A), K=3 dB (A)
Vibrazione garantita:	0,672 m/s <sup>2</sup> , K=1,5 m/s <sup>2</sup>	0,917 m/s <sup>2</sup> , K=1,5 m/s <sup>2</sup>
Capacità del sacco raccoglierba:	27 L	35 L
Peso netto:	13,1 kg	14,9 kg
Grado di protezione dai liquidi:	IP24	IP24
Regolazione in altezza:	20/40/55 mm, 3 regolazioni	20/40/55 mm, 3 regolazioni

## 5. MONTAGGIO

### 5-1 MONTAGGIO DELLA RUOTA

Inserire l'asse del coperchio della ruota anteriore e posteriore nella ruota, quindi avvitare nel foro del supporto della ruota. (Fig. 2)



**AVVERTENZA:** tutte le ruote devono essere alla stessa altezza.

### 5-2 MONTAGGIO DELL'IMPUGNATURA RIPIEGABILE

- Inserire le impugnature inferiori nei fori fissi della sottocoppa, quindi fissarle con la vite in dotazione utilizzando un cacciavite. (Fig. 3, Fig. 4, Fig. 5)
- Collegare l'impugnatura superiore e l'impugnatura inferiore con la leva di blocco. (Fig. 6, Fig. 7)
- Posizionare il cavo sopra l'albero dell'impugnatura. Fissarlo intorno alla parte centrale dell'impugnatura inferiore utilizzando il serracavo e assicurarsi che il cavo sia fissato all'esterno dell'impugnatura. In caso contrario, il cavo potrebbe impigliarsi durante l'apertura o la chiusura del coperchio posteriore. (Fig. 8)

### 5-3 MONTAGGIO DEL SACCO RACCOGLIERBA

- Per il montaggio: sollevare il coperchio posteriore e attaccare il sacco raccoglierba nella parte posteriore del rasaerba. (Fig. 9, Fig. 10, Fig. 11)
- Per la rimozione: afferrare e sollevare il coperchio posteriore, quindi rimuovere il sacco raccoglierba. Sulla parte superiore del sacco raccoglierba è presente un indicatore di livello che mostra se il raccoglitore è vuoto o pieno (Fig. 12A, Fig. 12B):

- L'indicatore di livello si gonfia se il raccoglitore non è pieno durante il movimento. (Fig. 12B)
- Se il raccoglitore è pieno, l'indicatore si sgonfia. In questo caso, arrestare immediatamente il movimento, svuotare il raccoglitore, accertandosi che sia pulito e che il suo reticolato sia ventilato. (Fig. 12A)

#### IMPORTANTE

Se la posizione dell'apertura dell'indicatore è molto sporca, l'indicatore non si gonfia. È quindi necessario pulirla immediatamente.

## 6. REGOLAZIONE DELL'ALTEZZA DI TAGLIO

L'altezza di taglio viene regolata agganciando le ruote al foro desiderato.

Tutte le ruote devono essere alla stessa altezza. L'altezza (della lama al suolo) può essere regolata da 20 mm a 55 mm (3 posizioni di altezza). (Fig. 13)  
Regolazione minima: 20 mm (posizione (1)); regolazione intermedia: 40 mm (posizione (2)); regolazione massima: 55 mm (posizione (3)).



**AVVERTENZA:** scollegare il cavo elettrico dall'alimentazione.



**AVVERTENZA:** effettuare questa regolazione solo quando la lama è completamente ferma.

## 7. MISURE DI SICUREZZA

- Utilizzare sempre la macchina con il deflettore o il sacco raccoglierba nella posizione corretta.

- b) Fermare sempre il motore prima di rimuovere il sacco raccogliherba o di regolare l'altezza della posizione di taglio.
- c) Prima dello spostamento, rimuovere dal terreno tutti i corpi estranei che potrebbero essere scagliati dalla macchina. Durante la rasatura, prestare attenzione a eventuali corpi estranei trascurati. **(Fig. 14)**
- d) Non sollevare mai la parte posteriore del rasaerba durante l'avvio del motore o durante l'uso normale. **(Fig. 15)**
- e) Non posizionare mai le mani o i piedi sotto la sottocoppa o nel convogliatore di scarico posteriore quando il motore è in funzione. **(Fig. 16)**

## 8. AVVIAMENTO

Prima di collegare il rasaerba all'alimentazione elettrica, assicurarsi che la tensione di rete sia pari a 230 V ~ 50 Hz.

Prima di avviare il rasaerba, fissare la prolunga nel gancio del cavo. **(Fig. 17)**

All'accensione del rasaerba, la spia si illumina. **(Fig. 18)**

Avviare il motore come segue. **(Fig. 19)**

- a) Premere il pulsante di sicurezza (1).
- b) Contemporaneamente, tirare l'impugnatura di attivazione (2) e tenerla saldamente.

Spingere il rasaerba mentre il motore è in funzione.

Se si rilascia l'impugnatura di attivazione, il motore si ferma.



**ATTENZIONE:** la lama inizia a ruotare non appena il motore viene avviato.



**AVVERTENZA:** gli elementi di taglio continuano a ruotare dopo lo spegnimento del motore.

## 9. LAMA

La lama è realizzata in acciaio pressato. Potrebbe essere necessario affilarla spesso (con una mola).

Verificare che sia sempre equilibrata (una lama non equilibrata causa vibrazioni pericolose). Per controllare l'equilibratura, inserire un'asta rotonda nel foro centrale e sostenere la lama orizzontalmente. **(Fig. 20)** Una lama equilibrata rimane orizzontale. Se la lama non è equilibrata, l'estremità più pesante ruota verso il basso.

Affilare l'estremità più pesante fino a ottenere una corretta equilibratura della lama. **(Fig. 21)** Per rimuovere la lama (2), svitare la vite relativa (3). **(Fig. 22, Fig. 23, Fig. 24)**

Controllare le condizioni della ventola (1) e sostituire eventuali parti danneggiate. **(Fig. 22)**

Durante il rimontaggio, assicurarsi che i taglienti siano rivolti nella direzione di rotazione del motore. La vite della lama (3) deve essere serrata a una coppia di 20-25 Nm.



**AVVERTENZA:** durante la riparazione, sostituire la lama esclusivamente con MAKITA 263001422 (per ELM3311) e MAKITA 263001414 (per ELM3711).

## 10. PROLUNGHE

Le prolunghe vanno usate solo per lavori all'aperto, devono essere idonee per il servizio ordinario e avere una sezione non inferiore a 1,0 mm<sup>2</sup>.

Prima dell'uso, controllare il cavo di alimentazione e la prolunga verificando la presenza di danni; durante l'uso, scollegare il cavo se si rilevano segni di danni o di usura. Se il cavo si danneggia durante l'uso, scollegarlo immediatamente dall'alimentazione. **NON TOCCARE IL CAVO PRIMA DI SCOLLEGARE L'ALIMENTAZIONE.** Non utilizzare la macchina se il cavo è danneggiato o usurato. Mantenere la prolunga a distanza dagli elementi di taglio.



**AVVERTENZA:** assicurarsi sempre che le prese d'aria siano libere da detriti.

## 11. CURA E MANUTENZIONE



**AVVERTENZA:** prima di eseguire operazioni di manutenzione o pulizia, estrarre sempre la spina dell'alimentazione.

Non spruzzare acqua sull'unità. La penetrazione di acqua può distruggere l'unità combinata interruttore-spina e il motore elettrico. Pulire l'unità con un panno, una spazzola e così via.

**L'ispezione da parte di un esperto è fondamentale nei seguenti casi; non effettuare le regolazioni autonomamente ma rivolgersi a un centro assistenza autorizzato Makita:**

- a) se il rasaerba colpisce un oggetto;
- b) se il motore si ferma improvvisamente;
- c) se la lama si piega (non cercare di sistemarla);
- d) se l'albero motore si piega (non cercare di sistemarlo);
- e) se si verifica un cortocircuito quando viene collegato il cavo;
- f) se gli ingranaggi sono danneggiati;
- g) se la cinghia a V è difettosa.

## 12. RISOLUZIONE DEI PROBLEMI



**AVVERTENZA:** prima di eseguire operazioni di manutenzione o pulizia, estrarre sempre la spina dell'alimentazione e attendere che la lama si fermi.

Guasto	Soluzione
Il motore non si avvia	Controllare il collegamento del cavo di alimentazione. Avviare la macchina su erba bassa o su un'area che è già stata rasata. Pulire il canale di scarico e l'alloggiamento: la lama del rasoerba deve ruotare liberamente. Correggere l'altezza di taglio.
La potenza del motore diminuisce	Correggere l'altezza di taglio. Pulire il canale di scarico e l'alloggiamento. Affilare/Sostituire la lama del rasoerba → rivolgersi a un centro assistenza autorizzato.
Il sacco raccoglierba non viene riempito	Correggere l'altezza di taglio. Lasciar asciugare il rasoerba. Affilare/Sostituire la lama del rasoerba → rivolgersi a un centro assistenza autorizzato. Pulire la griglia del sacco raccoglierba. Pulire il canale di scarico e l'alloggiamento.
La trasmissione delle ruote non funziona	Regolare il cavo flessibile. Controllare la cinghia a V e gli ingranaggi → rivolgersi a un centro assistenza autorizzato. Verificare la presenza di danni sulle ruote.

**conformi alle seguenti direttive europee:**

2004/108/EC, 2006/42/EC, 2000/14/EC e 2005/88/EC, 2006/95/EC

Sono inoltre prodotti in conformità con le normative o i documenti standardizzati riportati di seguito:

EN 60335, EN 62233, EN 55014, EN 61000

La documentazione tecnica viene conservata da:

Makita International Europe Ltd.,  
Michigan Drive, Tongwell,  
Milton Keynes, MK15 8JD, Inghilterra

La procedura di valutazione della conformità richiesta dalla Direttiva 2000/14/EC è stata effettuata secondo quanto specificato nell'allegato VI.

Ente competente:

TÜV SÜD Industrie Service GmbH  
Westendstraße 199, D-80686 München  
Numero identificativo: 0036

Modello: ELM3311

Livello di potenza acustica misurato: 87,7 dB (A)

Livello di potenza acustica garantito: 96 dB (A)

Modello: ELM3711

Livello di potenza acustica misurato: 91,0 dB (A)

Livello di potenza acustica garantito: 96 dB (A)

30. 11. 2012



Tomoyasu Kato  
Direttore

Makita Corporation  
3-11-8, Sumiyoshi-cho,  
Anjo, Aichi, 446-8502, JAPAN



**ATTENZIONE:** i problemi che non possono essere risolti con l'ausilio di questa tabella esigono una riparazione presso un centro assistenza autorizzato Makita.

### 13. SMALTIMENTO ECOCOMPATIBILE



Secondo la direttiva UE 2002/96/EC sulle apparecchiature elettriche ed elettroniche e la sua applicazione nelle leggi nazionali, tutti gli utensili elettrici devono essere raccolti separatamente e riciclati in maniera ecocompatibile. Smaltimento alternativo: Se il

proprietario della macchina non la restituisce al produttore, è responsabile del corretto smaltimento presso un punto di raccolta adeguato, che prepari il dispositivo per il riciclo secondo le leggi e le normative nazionali in materia.

Non sono inclusi gli accessori e gli utensili privi di componenti elettrici o elettronici.

**Solo per i paesi europei**

**Dichiarazione di conformità CE**

**Makita Corporation, in qualità di produttore responsabile, dichiara che gli utensili Makita indicati di seguito:**

Denominazione della macchina: Rasoerba

N. modello/Tipo: ELM3311, ELM3711

Caratteristiche tecniche: Vedere "4. DATI TECNICI"

appartengono ad una produzione in serie e sono

**Verklaring van het onderdelenoverzicht**

- |                                       |  |                             |
|---------------------------------------|--|-----------------------------|
| 1. Bovenste gedeelte van de handgreep | 9. Voorwiel                            | 17. Afdekplaat van voorwiel |
| 2. Schakeldoos                        | 10. Motorkap                           | 18. Voorwiel                |
| 3. Veiligheidsknop                    | 11. Onderste gedeelte van de handgreep | 19. Steun voor voorwiel     |
| 4. Vergrendelknop                     | 12. Trekontlasting                     | 20. Achterklep              |
| 5. Snoerklem                          | 13. Schakelhendel                      | 21. Niveau-aanduiding       |
| 6. Grasopvangbak                      | 14. Afdekplaat van achterwiel          | 22. Controlelampje          |
| 7. Achterwiel                         | 15. Achterwiel                         |                             |
| 8. Onderstel                          | 16. Steun voor achterwiel              |                             |

**KEN UW GRASMAAIER**

Lees deze gebruiksaanwijzing zorgvuldig, met name de aanbevolen veiligheidsvoorschriften vóór, tijdens en na het gebruik van uw grasmaaiër. Naleving van deze eenvoudige voorschriften zorgt er ook voor dat uw grasmaaiër goed blijft werken. Zorg dat u vertrouwd raakt met de bedieningsknoppen van de grasmaaiër voordat u deze gaat gebruiken, maar zorg er in ieder geval voor, dat u weet hoe u de motor in geval van nood snel kunt uitschakelen. Bewaar deze gebruiksaanwijzing en alle andere documentatie van uw grasmaaiër om deze later te kunnen raadplegen.

**1. VERKLARING VAN DE SYMBOLEN OP HET PRODUCT**



Lees deze gebruiksaanwijzing zorgvuldig voordat u deze grasmaaiër gaat gebruiken en bewaar het op een veilige plek om deze later te kunnen raadplegen.



Houd omstanders uit de buurt.



Pas op voor het scherpe maaiemes. Haal de stekker uit het stopcontact vóór elke onderhoudsbeurt of als het netsnoer beschadigd is.



Houd het netsnoer uit de buurt van het maaiemes.



**VEILIGHEIDSWAARSCHUWING-PICTOGRAM:** Geeft een veiligheidsvoorziening of waarschuwing aan en kan gebruikt worden in combinatie met andere pictogrammen of afbeeldingen.

**DUBBEL GEÏSOLEERD**



**Uw grasmaaiër is dubbel geïsoleerd.**

Dat betekent dat alle externe onderdelen elektrisch geïsoleerd zijn van de elektriciteitsaansluiting. Dit is bereikt door het aanbrengen van een extra isolatie-afscherming tussen de elektrische en mechanische onderdelen.

**2. ALGEMENE VEILIGHEIDSVORSCHRIFTEN**

Het doel van deze veiligheidsvoorschriften is om uw aandacht te vestigen op mogelijke risico's. Uw zorgvuldige aandacht en begrip voor de veiligheidspictogrammen en de daarbij behorende uitleg is noodzakelijk. De veiligheidswaarschuwingen zelf voorkomen geen gevaar. De voorschriften of de waarschuwingen die ze geven gelden niet als vervanging voor de passende maatregelen ter voorkoming van ongelukken.



**WAARSCHUWING:** Als een veiligheidswaarschuwing niet wordt nageleefd kan dit ernstig letsel voor u of anderen tot gevolg hebben. Volg altijd de veiligheidsvoorzorgsmaatregelen op om het risico van brand, elektrische schok of persoonlijk letsel te verminderen. Bewaar de gebruiksaanwijzing en lees deze regelmatig door voor een veilige bediening in de toekomst en aanwijzingen te geven aan anderen die dit gereedschap kunnen gebruiken.



**WAARSCHUWING:** Dit gereedschap produceert tijdens gebruik een elektromagnetisch veld. Dit veld kan onder bepaalde omstandigheden de werking van actieve of passieve medische implantaten hinderen. Om het risico van ernstig persoonlijk en fataal letsel te verminderen, adviseren wij personen met medische implantaten hun dokter en de fabrikant van het implantaat te raadplegen alvorens dit gereedschap te bedienen.



**WAARSCHUWING:** Bij omgang met elk gereedschap bestaat het risico dat er vreemde voorwerpen in uw ogen geslingerd worden, wat ernstig oogletsel tot gevolg kan hebben. Voordat u begint met het gebruik van het elektrisch gereedschap dient u altijd een

beschermende bril of een veiligheidsbril met zijstukken en een spatscherm als dat nodig is te dragen. Wij adviseren een breedzicht-veiligheidsmasker om over een gewone bril te dragen, of een standaardveiligheidsbril met zijstukken.

- 1) Lees de gebruiksaanwijzingen zorgvuldig. Zorg dat u vertrouwd bent met de bedieningsknoppen en de juiste omgang met het gereedschap.
- 2) Laat in geen geval kinderen of personen die deze gebruiksaanwijzing niet gelezen hebben de grasmaaier gebruiken. De leeftijd van de gebruiker kan landelijk gereguleerd zijn.
- 3) Gebruik de grasmaaier in geen geval als er personen, met name kinderen of dieren in de buurt zijn.
- 4) Denk eraan dat de gebruiker aansprakelijk is voor ongevallen en onvoorziene gebeurtenissen die personen of hun eigendommen kunnen overkomen.
- 5) Draag tijdens het maaien altijd stevige schoenen en een lange broek. Gebruik het gereedschap niet met blote voeten of met open sandalen.
- 6) Controleer het gehele terrein dat u wilt maaien grondig en verwijder alles wat door het gereedschap kan worden weggeslingerd.
- 7) Voer vóór gebruik altijd een visuele controle uit of het maaimes, de mesbout of het maaimechanisme versleten of beschadigd is. Vervang het versleten of beschadigd maaimes en mesbout altijd samen, om onbalans te voorkomen.
- 8) Werk alleen bij daglicht of bij goed kunstlicht.
- 9) Gebruik de grasmaaier bij voorkeur niet wanneer het gras nat is.
- 10) Zorg er op een helling altijd voor dat u stevig staat.
- 11) Loop rustig, nooit te snel.
- 12) Maai met cirkelmaaiers met wielen een helling altijd in de dwarsrichting en nooit van boven naar beneden.
- 13) Ga altijd uiterst voorzichtig te werk bij het veranderen van richting op een helling.
- 14) Maai niet op bijzonder steile hellingen.
- 15) Pas goed op als u de grasmaaier achteruit laat rijden of naar u toe haalt.
- 16) Het maaimes moet stilstaan wanneer de grasmaaier bij het vervoeren moet worden gekanteld, wanneer de grasmaaier over een oppervlak waar geen gras groeit moet worden verplaatst en bij het vervoer naar en van een te maaien gedeelte.
- 17) Gebruik de grasmaaier nooit met defecte afschermingen of zonder veiligheidsvoorzieningen zoals een achterklep en/of grasopvangbak.
- 18) Start de motor voorzichtig volgens de aanwijzingen en houd uw voeten uit de buurt van het maaimes.
- 19) Kantel de grasmaaier niet bij het starten of inschakelen van de motor, behalve wanneer dit nodig is. Kantel in dit geval alleen zo ver als nodig is en alleen aan de van u afgekeerde zijde.
- 20) Start de motor niet als u voor het uitwerpkanaal staat.
- 21) Kom niet met uw handen of voeten in de buurt van of onder draaiende delen. Blijf altijd uit de buurt van de uitwerpopening.
- 22) De grasmaaier nooit optillen of dragen wanneer de motor loopt.
- 23) De motor afzetten en het netsnoer loskoppelen:
  - voordat u een verstopping opheft of voordat u het uitwerpkanaal leegt.

- voordat u de grasmaaier controleert, reinigt of er werkzaamheden aan gaat verrichten.
  - na het raken van een vreemd voorwerp. Controleer of de grasmaaier beschadigd is en laat deze indien nodig repareren voordat u de grasmaaier opnieuw gaat starten en gebruiken.
  - als de grasmaaier op ongebruikelijke manier begint te trillen (onmiddellijk controleren).
- 24) Schakel de grasmaaier uit:
    - iedere keer als u de grasmaaier onbeheerd achterlaat.
  - 25) Laat de bouten en de schroeven vastgedraaid zitten om er zeker van te zijn dat het gereedschap altijd op een veilige manier bruikbaar is.
  - 26) Controleer regelmatig de grasopvangbak op slijtage en beschadigingen.
  - 27) Vervang veiligheidshalve versleten of beschadigde delen.
  - 28) Gebruik de grasmaaier niet met een beschadigd of versleten netsnoer.
  - 29) Steek geen beschadigd netsnoer in het stopcontact of raak een beschadigd netsnoer niet aan voordat de stekker uit het stopcontact is getrokken. Bij een beschadigd netsnoer is het mogelijk in aanraking te komen met delen die onder stroom staan.
  - 30) Raak het maaimes niet aan voordat het netsnoer is losgekoppeld van de voeding en het maaimes volledig tot stilstand is gekomen.
  - 31) Houd het netsnoer uit de buurt van het maaimes. Het maaimes kan het netsnoer beschadigen waardoor het mogelijk is in aanraking te komen met delen die onder stroom staan.
  - 32) Het netsnoer loskoppelen (d.w.z. de stekker uit het stopcontact trekken):
    - iedere keer als u de grasmaaier onbeheerd achterlaat;
    - voordat u een verstopping opheft;
    - voordat u het gereedschap controleert, reinigt of er werkzaamheden aan gaat verrichten;
    - na het raken van een vreemd voorwerp;
    - als de grasmaaier op ongebruikelijke manier begint te trillen.
  - 33) Kinderen dienen onder toezicht te staan om ervoor te zorgen dat zij niet met het gereedschap spelen.
  - 34) Dit gereedschap is niet geschikt voor gebruik door personen (waaronder kinderen) met een verminderd lichamelijk, zintuiglijk of geestelijk vermogen, of gebrek aan kennis en ervaring, behalve indien zij instructies hebben gehad en onder toezicht staan van een persoon die verantwoordelijk is voor hun veiligheid.
  - 35) Wanneer het netsnoer is beschadigd moet het vervangen worden door een speciaal snoer of snoersamenstel dat verkrijgbaar is bij de fabrikant of zijn service-agentschap.
  - 36) Aanwijzingen voor het veilig gebruik van het apparaat, inclusief de aanbeveling dat het apparaat gevoed moet worden via een aardlekschakelaar (RCD) met een lekstroom van maximaal 30 mA.
  - 37) Wees voorzichtig tijdens het afstellen van de grasmaaier om te voorkomen dat uw vingers bekneld raken tussen het bewegende maaimes en een vast onderdeel van de grasmaaier.

- 38) Laat het gereedschap altijd eerst afkoelen voordat u hem opbergt.
- 39) Let er bij het onderhouden van het maaimes op dat ondanks dat de aandrijving is uitgeschakeld, het maaimes nog steeds kan bewegen.
- 40) Vervang veiligheidshalve versleten of beschadigde delen. Gebruik uitsluitend originele vervangingsonderdelen en accessoires.
- 41) Wees voorzichtig tijdens het afstellen van het gereedschap om te voorkomen dat uw vingers bekneld raken tussen het bewegende maaimes en een vast onderdeel van het gereedschap.
- 42) Controleer voor gebruik het netsnoer en verlengsnoer op tekenen van beschadiging of slijtage. Als het snoer

tijdens gebruik beschadigd raakt, moet u de stekker onmiddellijk uit het stopcontact trekken. **RAAK HET SNOER NIET AAN VOORDAT DE STEKKER UIT HET STOPCONTACT IS GETROKKEN.** Gebruik het gereedschap niet als het netsnoer beschadigd of versleten is.

43) Als het netsnoer beschadigd is, moet het worden vervangen door de fabrikant, haar servicecentrum of een soortgelijke, vakbekwame persoon om gevaarlijke situaties te voorkomen.

### 3. BESCHRIJVING VAN DE ONDERDELEN (zie afb. 1)

## 4. TECHNISCHE GEGEVENS

Model:	ELM3311	ELM3711
Nominale spanning:	230 V~	230 V~
Nominale frequentie:	50 Hz	50 Hz
Nominaal vermogen:	1.100 W	1.300 W
Onbelast toerental:	2.900/min	2.900/min
Maai breedte:	330 mm	370 mm
Gegarandeerd geluidsvermogeniveau:	96 dB (A)	96 dB (A)
$L_{pA}$ (SPL) ter plaatse van de gebruiker:	75,4 dB (A), K = 3 dB (A)	77,6 dB (A), K = 3 dB (A)
Gegarandeerd trillingsniveau:	0,672 m/s <sup>2</sup> , K = 1,5 m/s <sup>2</sup>	0,917 m/s <sup>2</sup> , K = 1,5 m/s <sup>2</sup>
Inhoud van grasopvangbak:	27 liter	35 liter
Nettogewicht:	13,1 kg	14,9 kg
Beschermingsklasse tegen water:	IP24	IP24
Maaihoogteregeling:	20/40/55 mm, 3 standen	20/40/55 mm, 3 standen

## 5. ONDERDELEN AANBRENGEN EN VERWIJDEREN

### 5-1 HET WIEL MONTEREN

Stee de as op de afdekplaat van het voorwiel en achterwiel op het wiel en draai hem daarna in het gat van de steun voor het wiel (zie afb. 2).



**WAARSCHUWING:** De hoogte moet voor alle wielen gelijk zijn.

### 5-2 DE INKLAPBARE HANDGREEP MONTEREN

- A) Steek de onderste gedeelten van de handgreep in de desbetreffende gaten van het onderstel en zet deze daarna met schroevendraaier vast met de bijgeleverde schroef (zie afb. 3, 4 en 5).
- B) Zet de bovenste gedeelten van de handgreep met de vergrendelknoppen vast op de onderste gedeelten van de handgreep (zie afb. 6 en 7).
- C) Plaats het snoer op de buis van de handgreep. Klem het met de snoerklem vast op het midden van het onderste gedeelte van de handgreep en verzeker u ervan dat het snoer aan de buitenkant van de handgreep is bevestigd. Het snoer kan anders bekneld raken bij het openen/sluiten van de achterklep (zie afb. 8).

### 5-3 DE GRASOPVANGBAK AANBRENGEN EN VERWIJDEREN

1. Aanbrengen: til de achterklep op en haak de grasopvangbak aan de achterkant van de grasmaaier (zie afb. 9, 10 en 11).
2. Verwijderen: til de achterklep op en verwijder de grasopvangbak.

Op de bovenkant van de grasopvangbak zit een niveau-aanduiding die aangeeft of de grasopvangbak leeg of vol is (zie afb. 12A en 12B):

- De niveau-aanduiding staat open wanneer de grasopvangbak nog niet vol zit tijdens het maaien (zie afb. 12B).
- Als de grasopvangbak vol is, zakt de niveau-aanduiding omlaag. Nadat dit is gebeurd, stopt u onmiddellijk met maaien en maakt u de grasopvangbak leeg. Controleer of de grasopvangbak schoon is en het luchtrooster open is (zie afb. 12A).

#### BELANGRIJK

Als de opening van de niveau-aanduiding erg vuil is, zal de niveau-aanduiding niet open gaan. In dat geval maakt u de opening van de niveau-aanduiding onmiddellijk schoon.

## 6. DE MAIHOOGTE INSTELLEN

De maaihoogte wordt ingesteld door de wielas in het overeenkomstige gat te plaatsen.

De hoogte moet voor alle wielen gelijk zijn.

De hoogte (van het maimes tot de grond) kan worden ingesteld tussen 20 mm en 55 mm (in 3 standen) (**zie afb. 13**).

De onderste instelling: 20 mm (stand (1)); de middelste instelling: 40 mm (stand (2)); de hoogste instelling: 55 mm (stand (3)).



**WAARSCHUWING:** Trek de stekker van het netsnoer uit het stopcontact.



**WAARSCHUWING:** Wijzig de instelling alleen als het maimes stil staat.

## 7. VEILIGHEIDSVOORZORGSMAA TREGELLEN

- Gebruik de grasmaaier altijd met een achterklep of grasopvangbak in de juiste stand.
- Stop altijd de motor voordat u de grasopvangbak verwijdert of de instelling van de maaihoogte wijzigt.
- Verwijder voordat u gaat maaien alle vreemde voorwerpen die door de grasmaaier weggeslingerd kunnen worden. Let goed op tijdens het maaien en probeer elk vreemd voorwerp te ontdekken die u aanvankelijk over het hoofd hebt gezien (**zie afb. 14**).
- Til nooit de achterkant van de grasmaaier op tijdens het starten van de motor of tijdens normaal gebruik (**zie afb. 15**).
- Kom nooit met uw handen of voeten onder het onderstel of in het uitwerpkanaal als de motor nog loopt (**zie afb. 16**).

## 8. STARTEN

Voordat u de grasmaaier aansluit met het netsnoer moet u controleren of de netvoedingsspanning 230 V van 50 Hz is.

Voordat u de grasmaaier start, zet u het verlengsnoer vast in de trekontlasting (**zie afb. 17**).

Als de voeding van de grasmaaier is aangesloten, brandt het controlelampje (**zie afb. 18**).

Start de motor als volgt (**zie afb. 19**).

- Druk op de veiligheidsknop (1).
- Trek tegelijkertijd aan de schakelhendel (2) en houd deze ingeknepen.

Duw de grasmaaier met de hand voort als de motor loopt. De motor slaat af zodra u de schakelhendel loslaat.



**LET OP:** Het maimes gaat roteren zodra de motor is gestart.



**WAARSCHUWING:** Na het uitschakelen van de motor blijft het snijgarntuur nog even ronddraaien.

## 9. MAAIMES

Het maimes is gemaakt van plaatstaal. Het is nodig om regelmatig de vorm te herstellen (met een slijpsteen).

Zorg ervoor dat het altijd in balans is (een maimes in onbalans veroorzaakt gevaarlijke trillingen). Om de balans te controleren, steekt u een ronde staaf in het middengat en brengt u het maimes in horizontale positie (**zie afb. 20**). Een maimes dat in balans is zal horizontaal blijven. Als het maimes niet in balans is zal het zwaardere gedeelte naar beneden draaien. Bewerk het zwaardere gedeelte totdat het maimes weer in balans is (**zie afb. 21**). Verwijder het maimes (2) door de mesbout (3) los te draaien (**zie afb. 22, 23 en 24**).

Controleer de staat van de ventilator (1) en vervang elk beschadigd onderdeel (**zie afb. 22**).

Zorg ervoor bij montage dat de snede van het maimes in de draairichting van de motor wijst. Het aantrekkoppel van de mesbout (3) is 20-25 Nm.



**WAARSCHUWING:** Vervang voor onderhoud het maimes alleen door: MAKITA 263001422 (voor ELM3311) en MAKITA 263001414 (voor ELM3711).

## 10. VERLENGSNOEREN

U mag uitsluitend verlengsnoeren gebruiken die geschikt zijn voor gebruik buitenshuis, voor normaal gebruik zijn, en een dwarsdoorsnede hebben van niet minder dan 1,0 mm<sup>2</sup>.

Controleer het netsnoer en de verlengsnoeren voor gebruik op beschadigingen, en trek de stekker van het snoer uit het stopcontact als het sporen van beschadiging of veroudering vertoont. Als het snoer tijdens gebruik beschadigd raakt, moet u de stekker onmiddellijk uit het stopcontact trekken. **RAAK HET SNOER NIET AAN VOORDAT DE STEKKER UIT HET STOPCONTACT IS GETROKKEN.** Gebruik het gereedschap niet als het netsnoer beschadigd of versleten is. Houd het verlengsnoer uit de buurt van het snijgarntuur.



**WAARSCHUWING:** Zorg ervoor dat de ventilatieopeningen altijd vrij zijn van vuil.

## 11. ONDERHOUD



**WAARSCHUWING:** Trek altijd de stekker uit het stopcontact voordat u onderhouds- of schoonmaakwerkzaamheden gaat uitvoeren! Spuit geen water op het gereedschap. Als er water in het gereedschap komt kan de schakel/stekkerdoos en de elektrische motor defect raken. Maak het apparaat schoon met een doek, zachte borstel, enz.

**Deskundig onderzoek is nodig, ga dus zelf geen veranderingen aanbrengen, maar neem contact op met een erkend Makita-servicecentrum:**

- Als de grasmaaier een voorwerp heeft geraakt.
- Als de motor plotseling afslaat.
- Als het maimes is verbogen (niet rechtbuigen!).
- Als de motoras is verbogen (niet rechtbuigen!).
- Es er een kortsluiting is geweest na het aansluiten van het netsnoer.
- Als de tandwielen beschadigd zijn.
- Als de V-snaar defect is.

## 12. PROBLEMEN OPLOSSEN



**WAARSCHUWING:** Haal altijd de stekker uit het stopcontact en wacht totdat het maaimes stilstaat voordat u onderhouds- of schoonmaakwerkzaamheden gaat uitvoeren.

Probleem	Oplossing
Motor loopt niet	Controleer het netsnoer. Probeer te starten op kort gras of op een gedeelte dat al is gemaaid. Maak het uitwerpkanaal en de behuizing schoon zodat het maaimes vrij kan draaien. Corrigeer de maaihoogte.
Motorvermogen neemt af	Corrigeer de maaihoogte. Maak het uitwerpkanaal en de behuizing schoon. Laat het maaimes slijpen of vervangen → erkend servicecentrum.
De grasopvangbak raakt niet vol	Corrigeer de maaihoogte. Laat het gazon drogen. Laat het maaimes slijpen of vervangen → erkend servicecentrum. Maak het rooster van de grasopvangbak schoon. Maak het uitwerpkanaal en de behuizing schoon.
De wielaandrijving werkt niet	Verstel de flexibele kabel. Controleer de V-snaar en tandwielen → erkend servicecentrum. Controleer of de aangedreven wielen beschadigd zijn.



**LET OP:** Als deze tabel geen oplossing biedt voor de problemen, kunnen ze alleen verholpen worden door een erkend Makita-servicecentrum.

## 13. MILIEUVRIENDELIJKE VERWERKING



Volgens de Europese richtlijn 2002/96/EC inzake elektrische en elektronische apparaten en de toepassing daarvan binnen de nationale wetgeving, dienen alle elektrische gereedschappen gescheiden te worden ingezameld en op een milieuvriendelijke wijze

te worden hergebruikt. Alternatieve verwerking: Als de eigenaar van het elektrische gereedschap het apparaat niet terugstuurt naar de fabrikant, is hij verantwoordelijk voor een correcte afvalverwerking door een aangewezen inzamelpunt dat het apparaat voorbereid voor hergebruik volgens de nationale wetten en regelgeving op het gebied van hergebruik.

Dit is niet van toepassing op accessoires en gereedschappen zonder elektrische of elektronische componenten.

**Alleen voor Europese landen**  
**EU-verklaring van conformiteit**  
**Wij, Makita Corporation, als de verantwoordelijke fabrikant, verklaren dat de volgende Makita-machine(s):**

Aanduiding van de machine: Grasmaaier  
Modelnr./Type: ELM3311 en ELM3711  
Technische gegevens: Zie "4. TECHNISCHE GEGEVENS" in serie zijn geproduceerd en

**Voldoen aan de volgende Europese richtlijnen:**  
2004/108/EC, 2006/42/EC, 2000/14/EC en 2005/88/EC, 2006/95/EC

En zijn gefabriceerd in overeenstemming met de volgende normen of genormaliseerd documenten:  
EN 60335, EN 62233, EN 55014 en EN 61000

De technische documentatie wordt bewaard door:

Makita International Europe Ltd.,  
Michigan Drive, Tongwell,  
Milton Keynes, MK15 8JD, Engeland

De conformiteitsbeoordelingsprocedure vereist door Richtlijn 2000/14/EC was is Overeenstemming met Annex VI.

Officiële instantie:

TÜV SÜD Industrie Service GmbH  
Westendstraße 199, D-80686 München  
Identificatienummer: 0036

Model: ELM3311

Gemeten geluidsvermogeniveau: 87,7 dB (A)  
Gegarandeerd geluidsvermogeniveau: 96 dB (A)

Model: ELM3711

Gemeten geluidsvermogeniveau: 91,0 dB (A)  
Gegarandeerd geluidsvermogeniveau: 96 dB (A)

30. 11. 2012

Tomoyasu Kato  
Directeur

Makita Corporation  
3-11-8, Sumiyoshi-cho,  
Anjo, Aichi, 446-8502, JAPAN



**Explicación de los dibujos**

- |                           |                                  |                                    |
|---------------------------|----------------------------------|------------------------------------|
| 1. Mango superior         | 9. Rueda delantera               | 17. Cubierta de la rueda delantera |
| 2. Caja del interruptor   | 10. Cubierta del motor           | 18. Rueda delantera                |
| 3. Pulsador de seguridad  | 11. Mango inferior               | 19. Soporte de la rueda delantera  |
| 4. Palanca de bloqueo     | 12. Gancho del cable             | 20. Cubierta trasera               |
| 5. Acoplamiento del cable | 13. Mango interruptor            | 21. Indicador de nivel             |
| 6. Saco de recogida       | 14. Cubierta de la rueda trasera | 22. Luz indicadora                 |
| 7. Rueda trasera          | 15. Rueda trasera                |                                    |
| 8. Chasis                 | 16. Soporte de la rueda trasera  |                                    |

**CONOZCA SU CORTADORA DE CÉSPED**

Lea este manual atentamente, respetando las instrucciones de seguridad recomendadas antes, durante y después del uso de la cortadora de césped. Siguiendo estas sencillas instrucciones también se mantendrá la cortadora de césped en buen estado de funcionamiento. Familiarícese con los controles de la cortadora de césped antes de intentar utilizarla, pero sobre todo, asegúrese de saber cómo detener la cortadora de césped en caso de emergencia. Conserve este manual del usuario y cualquier otra documentación con la cortadora de césped para futuras consultas.

**1. SÍMBOLOS MARCADOS EN EL PRODUCTO**



Lea este libro de instrucciones atentamente antes de utilizar la cortadora de césped y guárdelo en un lugar seguro para futuras consultas.



Mantenga alejadas a las personas circundantes.



Tenga cuidado con las cuchillas afiladas.  
Desenchufe la máquina antes de realizar el mantenimiento o si se daña el cable.



Mantenga el cable de electricidad flexible alejado de las cuchillas de corte.



**SÍMBOLO DE ALERTA DE SEGURIDAD:** Indica que se debe tener precaución o seguir una advertencia en conjunción con otros símbolos o imágenes.

**DOBLE AISLAMIENTO**



La cortadora de césped cuenta con doble aislamiento.

Esto significa que todas las piezas externas están aisladas eléctricamente de la fuente de alimentación. Esto se consigue colocando una barrera aislante adicional entre las piezas eléctricas y mecánicas.

**2. NORMAS GENERALES DE SEGURIDAD**

El propósito de las normas de seguridad es llamar su atención ante posibles peligros. Los símbolos de seguridad y las explicaciones que los acompañan requieren su atención y comprensión. Las advertencias de seguridad solas no eliminan ningún peligro. Las instrucciones o advertencias que se proporcionan no sustituyen las medidas de prevención de accidentes apropiadas.



**ADVERTENCIA:** Si no se obedece una advertencia de seguridad, el resultado puede ser lesiones graves a usted mismo o a otros. Siga siempre las precauciones de seguridad para reducir el riesgo de fuego, descargas eléctricas y lesiones personales. Guarde el manual del propietario y revíselo frecuentemente para un uso seguro continuado y para proporcionar instrucciones a otras personas que puedan usar esta herramienta.



**ADVERTENCIA:** Esta máquina crea un campo electromagnético durante su funcionamiento. En ciertas circunstancias este campo puede interferir con implantes médicos activos o pasivos. Para reducir el riesgo de lesiones graves o fatales, se recomienda a las personas con implantes médicos que consulten con su doctor y el fabricante del implante médico antes de utilizar esta máquina.



**ADVERTENCIA:** Durante el uso de la herramienta pueden salir despedidos hacia sus ojos objetos extraños, lo que puede provocar graves daños en los ojos. Para utilizar la herramienta eléctrica, utilice siempre gafas de seguridad o gafas de seguridad con protecciones laterales y una careta protectora completa cuando sea necesario. Recomendamos una máscara de

seguridad de amplia visión para su uso sobre gafas convencionales o gafas de seguridad estándar con protectores laterales.

- 1) Lea las instrucciones atentamente. Familiarícese con los controles y el uso correcto del equipo.
- 2) Nunca deje que los niños o personas que no estén familiarizadas con estas instrucciones utilicen la cortadora de césped. Las normas locales pueden establecer una edad máxima para el operario.
- 3) Nunca corte césped mientras haya cerca personas, especialmente niños, o animales.
- 4) Tenga en cuenta que el operario o el usuario es responsable de los accidentes o situaciones de peligro que se produzcan para otras personas o su propiedad.
- 5) Mientras corte césped, utilice calzado robusto y pantalones largos. No utilice el equipo cuando esté descalzo o calce sandalias abiertas.
- 6) Inspeccione minuciosamente dónde se va a usar el equipo y retire todos los objetos que puedan salir despedidos de la máquina.
- 7) Antes del uso, inspeccione visualmente las cuchillas para asegurarse de que los pernos de la cuchilla o el conjunto de la cuchilla no estén gastados o dañados. Sustituya los pernos y las cuchillas gastadas o dañadas en conjuntos para conservar el equilibrio.
- 8) Corte el césped solamente de día o con una buena luz artificial.
- 9) No utilice el equipo con césped húmedo cuando sea posible.
- 10) Asegúrese siempre de que mantiene un buen equilibrio en pendientes.
- 11) Camine, nunca corra.
- 12) Para máquinas giratorias con ruedas, corte césped de un lado a otro, nunca arriba y abajo.
- 13) Tenga el máximo cuidado cuando cambie de dirección en pendientes.
- 14) No corte césped en pendientes con una inclinación excesiva.
- 15) Tenga el máximo cuidado cuando invierta la marcha o tire de la cortadora de césped hacia usted.
- 16) Detenga la cuchilla si la cortadora de césped debe inclinarse para su transporte cuando cruce superficies que no sean césped, y cuando la transporte desde y hacia el área en la que debe cortarse el césped.
- 17) Nunca utilice la cortadora de césped con protecciones defectuosas o sin instalar dispositivos de seguridad, por ejemplo deflectores y/o sacos de recogida.
- 18) Encienda o ponga en marcha el motor con cuidado de acuerdo con las instrucciones y con los pies alejados de las cuchillas.
- 19) No incline la cortadora de césped cuando ponga en marcha el motor, excepto si la cortadora de césped debe inclinarse para ponerse en marcha. En ese caso, no la incline más de lo absolutamente necesario y levante solamente la parte que esté alejada del operario.
- 20) No ponga en marcha el motor cuando permanezca delante del transportador de salida.
- 21) No coloque las manos o los pies cerca o debajo de las piezas que giran. Manténgase alejado de la abertura de salida en todo momento.
- 22) Nunca alce o transporte la cortadora de césped mientras el motor esté en funcionamiento.
- 23) Detenga el motor y desconecte el cable de alimentación:
  - antes de despejar atascos o desbloquear el conducto de salida;
  - antes de comprobar, limpiar o trabajar en la cortadora de césped;
  - después de golpear un objeto extraño. Compruebe si la cortadora de césped está dañada y realice las reparaciones antes de volver a poner en marcha la cortadora de césped y utilizarla;
  - si la cortadora de césped empieza a vibrar de modo anómalo (compruébela inmediatamente).
- 24) Detenga la cortadora de césped:
  - cuando deje la cortadora de césped desatendida.
- 25) Mantenga todas las tuercas, los pernos y los tornillos apretados para asegurarse de que el equipo está en un estado de funcionamiento seguro.
- 26) Compruebe el saco de recogida frecuentemente en busca de desgastes o deterioros.
- 27) Reemplace las piezas gastadas o dañadas por su seguridad.
- 28) No use la cortadora de césped si los cables están dañados o gastados.
- 29) No conecte un cable dañado a la toma de corriente ni toque un cable dañado antes de desconectarlo de la toma de corriente. Un cable dañado puede provocar el contacto con piezas cargadas de electricidad.
- 30) No toque la cuchilla antes de desconectar la máquina de la toma de corriente y de que la cuchilla se haya detenido por completo.
- 31) Mantenga los cables de extensión alejados de la cuchilla. La cuchilla puede causar daños en los cables y provocar el contacto con piezas cargadas de electricidad.
- 32) Desconecte la toma de corriente (por ejemplo, desconectando el cable de la toma de corriente de pared):
  - cuando deje la máquina desatendida;
  - antes de despejar un atasco;
  - antes de comprobar, limpiar o trabajar en la máquina;
  - después de golpear un objeto extraño;
  - cuando la máquina empiece a vibrar de forma anómala.
- 33) Se debe supervisar a los niños para asegurarse de que no juegan con el aparato.
- 34) Este aparato no se ha diseñado para ser utilizado por personas (incluyendo niños) con capacidades mentales, sensoriales o físicas reducidas o con falta de experiencia y conocimientos, a menos que esas personas estén supervisadas o hayan recibido instrucciones de uso del aparato de una persona responsable de su seguridad.
- 35) Si se daña el cable de alimentación, se debe reemplazar con un cable o un conjunto especial disponible del fabricante o de su agente de servicio técnico.
- 36) Instrucciones para el uso seguro del aparato, incluyendo la recomendación de proporcionar alimentación eléctrica a través de un dispositivo de corriente residual (RCD) con una corriente de disyunción de no más de 30 mA.

- 37) Tenga cuidado durante el ajuste de la máquina para evitar que los dedos queden atrapados entre las cuchillas y las piezas fijas de la máquina.
- 38) Permita siempre que se enfríe la máquina antes de almacenarla.
- 39) Cuando realice el mantenimiento de las cuchillas, tenga en cuenta que, aunque la alimentación eléctrica esté desconectada, las cuchillas pueden seguir girando.
- 40) Sustituya las piezas gastadas o dañadas por su seguridad. Utilice solamente accesorios y piezas de recambio originales.
- 41) Tenga cuidado durante el ajuste del aparato para evitar que los dedos queden atrapados entre las cuchillas y las piezas fijas del aparato.
- 42) Antes de su uso, compruebe si la fuente de alimentación y el cable de extensión muestran símbolos de daños o desgaste. Si el cable se daña durante el uso, desconéctelo de la toma de corriente inmediatamente. **NO TOQUE EL CABLE ANTES DE DESCONECTARLO DE LA TOMA DE CORRIENTE.** No use el aparato si el cable está dañado o desgastado.
- 43) Si el cable de alimentación está dañado, debe ser reemplazado por el fabricante, su agente de servicio o personas con una calificación similar para evitar una situación de riesgo.

### 3. DESCRIPCIÓN DE LAS PIEZAS (Fig. 1)

## 4. DATOS TÉCNICOS

Modelo:	ELM3311	ELM3711
Tensión nominal:	230 V~	230 V~
Frecuencia nominal:	50 Hz	50 Hz
Potencia nominal:	1.100 W	1.300 W
Velocidad en vacío:	2.900/min	2.900/min
Ancho de corte:	330 mm	370 mm
Nivel de potencia sonora garantizado:	96 dB (A)	96 dB (A)
L <sub>pA</sub> (SPL) en el emplazamiento del usuario:	75,4 dB (A), K=3 dB (A)	77,6 dB (A), K=3 dB (A)
Vibración garantizada:	0,672 m/s <sup>2</sup> , K=1,5 m/s <sup>2</sup>	0,917 m/s <sup>2</sup> , K=1,5 m/s <sup>2</sup>
Capacidad del saco de recogida:	27 L	35 L
Peso neto:	13,1 kg	14,9 kg
Grado de protección contra líquidos:	IP24	IP24
Ajuste de altura:	20/40/55 mm, 3 ajustes	20/40/55 mm, 3 ajustes

## 5. MONTAJE

### 5-1 MONTAJE DE LA RUEDA

Inserte el eje de la cubierta de la rueda delantera y trasera en la rueda y después atorníllelo en el orificio del soporte de la rueda. (Fig. 2)



**ADVERTENCIA:** Todas las ruedas deben estar a la misma altura.

### 5-2 MONTAJE DEL MANGO DE PLEGADO

- A) Inserte los mangos inferiores en los orificios fijos del chasis y después fíjelos con los tornillos suministrados mediante un destornillador. (Fig. 3, Fig. 4, Fig. 5)
- B) Conecte el mango superior y el mango inferior con la palanca de bloqueo. (Fig. 6, Fig. 7)
- C) Coloque el cable sobre el eje del mango. Fíjelo alrededor de la parte media del mango inferior mediante el acoplamiento del cable y asegúrese de que el cable quede fijado a la parte exterior del mango. De lo contrario, el cable puede pinzarse con la cubierta trasera de apertura/cierre. (Fig. 8)

### 5-3 MONTAJE DEL SACO DE RECOGIDA

- Para montarlo: Levante la cubierta trasera y enganche el saco de recogida a la parte posterior de la cortadora de césped. (Fig. 9, Fig. 10, Fig. 11)
- Para extraerlo: Sujete y levante la cubierta trasera y retire el saco de recogida.

Hay un indicador de nivel en la parte superior del saco de recogida que muestra si el saco está vacío o lleno (Fig. 12A, Fig. 12B):

- El indicador de nivel está levantado si el saco no está lleno durante el corte de césped. (Fig. 12B)
- Si el saco está lleno, el indicador baja. Cuando ocurra esto, deje de cortar césped inmediatamente, asegúrese de que esté limpio y de que la malla esté ventilada. (Fig. 12A)

#### IMPORTANTE

Si la abertura de la posición del indicador está muy sucia, el indicador no se levantará. En ese caso, limpie inmediatamente la abertura de la posición del indicador.

## 6. AJUSTE DE LA ALTURA DE CORTE

La altura de corte se ajusta acoplando las ruedas en el orificio correspondiente.

Todas las ruedas deben estar a la misma altura. La altura (de la cuchilla respecto al suelo) se puede ajustar desde 20 mm a 55 mm (3 posiciones de altura).

(Fig. 13)

El ajuste inferior: 20 mm (posición (1)); el ajuste medio: 40 mm (posición (2)); el ajuste superior: 55 mm (posición (3)).



**ADVERTENCIA:** Desconecte el cable eléctrico de la alimentación eléctrica.



**ADVERTENCIA:** Realice el ajuste únicamente cuando se haya detenido la cuchilla.

## 7. PRECAUCIONES DE SEGURIDAD

- Utilice siempre la herramienta con el deflector o el saco de recogida en la posición correcta.
- Detenga siempre el motor antes de extraer el saco de recogida o ajustar la altura de la posición de corte.
- Antes de cortar el césped, retire del césped todos los objetos extraños que puedan salir despedidos de la máquina. Mientras corte el césped, preste atención a cualquier objeto extraño que pueda haberse pasado por alto. (Fig. 14)
- Nunca levante la parte trasera de la cortadora de césped mientras pone en marcha el motor o durante el uso normal. (Fig. 15)
- Nunca coloque las manos debajo del chasis o en el conducto de salida trasero, ni los toque, cuando el motor esté en funcionamiento. (Fig. 16)

## 8. ARRANQUE

Antes de conectar la cortadora de césped a la fuente de alimentación eléctrica, asegúrese de que la tensión de la toma de corriente sea de 230 V ~ 50 Hz.

Antes de poner en marcha la cortadora de césped, fije el cable de extensión en el gancho del cable. (Fig. 17)

Cuando la cortadora de césped esté en marcha, la luz indicadora se encenderá. (Fig. 18)

Ponga en marcha el motor de la siguiente manera. (Fig. 19)

- Pulse el pulsador de seguridad (1).
- Al mismo tiempo, tire del mango interruptor (2) y sujételo.

Empuje la cortadora de césped manualmente cuando el motor esté en funcionamiento.

Si suelta el mango interruptor, el motor se detendrá.



**PRECAUCIÓN:** La cuchilla empieza a girar cuando se pone en marcha el motor.



**ADVERTENCIA:** Los elementos de corte siguen girando después de apagar el motor.

## 9. CUCHILLA

La cuchilla está hecha de acero prensado. Será necesario afilarla frecuentemente (con una muela abrasiva).

Asegúrese de que siempre esté equilibrada (una cuchilla desequilibrada provocará vibraciones peligrosas). Para comprobar el equilibrio, inserte una varilla redondeada en el orificio central y sujete la cuchilla horizontalmente.

(Fig. 20) Una cuchilla equilibrada permanecerá horizontal. Si la cuchilla no está equilibrada, el extremo pesado girará hacia abajo. Rectifique el extremo pesado hasta que la cuchilla esté equilibrada. (Fig. 21) Para extraer la cuchilla (2), desatornille el tornillo de la cuchilla (3). (Fig. 22, Fig. 23, Fig. 24)

Compruebe el estado del ventilador (1) y sustituya las piezas que estén dañadas. (Fig. 22)

Cuando vuelva a montar, asegúrese de que los bordes de corte están orientados en la dirección de giro del motor. El tornillo de la cuchilla (3) debe apretarse con un par de apriete de 20 - 25 Nm.



**ADVERTENCIA:** Para tareas de mantenimiento, sustituya la cuchilla con: MAKITA 263001422 (para ELM3311) y MAKITA 263001414 (para ELM3711) solamente.

## 10. CABLES DE EXTENSIÓN

Solamente debe usar los cables de extensión para uso en exteriores, de carga normal con una sección transversal no inferior a 1,0 mm<sup>2</sup>.

Antes del uso, compruebe el suministro de energía y los cables de extensión en busca de daños durante el uso, desconecte el cable si detecta indicios de daños o desgaste. Si el cable se daña durante el uso, desconéctelo de la toma de corriente inmediatamente. **NO TOQUE EL CABLE ANTES DE DESCONECTARLO DE LA TOMA DE CORRIENTE.** No use el aparato si el cable está dañado o desgastado. Mantenga el cable de extensión alejado de los elementos de corte.



**ADVERTENCIA:** Asegúrese siempre de que las aberturas de ventilación estén libres de residuos.

## 11. MANTENIMIENTO Y CUIDADO



**ADVERTENCIA:** Antes de realizar cualquier trabajo de mantenimiento o limpieza, desenchufe siempre la toma de corriente!

No pulverice agua sobre la unidad. La entrada de agua puede destruir la unidad de combinación interruptor-enchufe y el motor eléctrico. Limpie la unidad con un paño, un cepillo, etc.

**Se requiere una inspección por parte de personal cualificado. No realice usted mismo los ajustes. Debe ponerse en contacto con un centro de servicio técnico autorizado de Makita:**

- si la cortadora de césped golpea un objeto.
- si el motor se detiene repentinamente.
- si la cuchilla se dobla (¡no la alinee!).

- d) si se dobla el eje del motor (¡no lo alinee!).
- e) si se produce un cortocircuito cuando se conecta el cable.
- f) Si se dañan los engranajes.
- g) Si la correa en V es defectuosa.

## 12. LOCALIZACIÓN Y SOLUCIÓN DE AVERÍAS



**ADVERTENCIA:** Antes de realizar tareas de mantenimiento o limpieza, desenchufe siempre el aparato de la toma de corriente y espere hasta que la cuchilla se haya detenido.

Avería	Acción correctora
El motor no funciona	Compruebe el cable de conexión eléctrica. Póngalo en marcha sobre un área de césped que ya se haya cortado. Limpie el canal de descarga/ alojamiento. La cuchilla de corte debe girar libremente. Corrija la altura de corte.
La potencia del motor se reduce	Corrija la altura de corte. Limpie el canal de descarga/ alojamiento. Haga que la cuchilla de corte de césped se afile/sustituya → centro de servicio técnico autorizado.
El saco de recogida no se llena	Corrija la altura de corte. Deje que el césped se seque. Haga que la cuchilla de corte de césped se afile/sustituya → centro de servicio técnico autorizado. Limpie la rejilla del saco de recogida. Limpie el canal de descarga/ alojamiento.
Las ruedas de tracción no giran	Ajuste el cable flexible. Compruebe la correa en V/los engranajes → centro de servicio técnico autorizado. Compruebe si hay daños en las ruedas.



**PRECAUCIÓN:** Las averías que no se pueden solucionar con la ayuda de esta tabla deben solucionarse solamente en un centro de servicio técnico autorizado de Makita.

## 13. DESECHO RESPETUOSO CON EL MEDIO AMBIENTE



De conformidad con la Directiva Europea 2002/96/CE sobre residuos de aparatos eléctricos y electrónicos y su aplicación de acuerdo con la legislación nacional, todas las herramientas eléctricas cuya vida útil haya llegado a su fin se deben recoger por

separado y se deben reciclar de forma respetuosa con el medio ambiente. Desecho alternativo: si el propietario de la herramienta eléctrica no la devuelve al fabricante, es responsable de su desecho en el punto de recolección

designado que prepare el dispositivo para su reciclado de acuerdo con las leyes y normativas nacionales de reciclado.

Esto no incluye accesorios y herramientas sin componentes eléctricos o electrónicos.

### Sólo para países europeos

**Declaración de conformidad de la CE**  
**Nosotros, Makita Corporation, en calidad de fabricante responsable, declaramos que las siguientes máquinas Makita:**

Designación de la máquina: Cortadora de Césped  
Nº de modelo/Tipo: ELM3311, ELM3711

Especificaciones: Consulte "4. DATOS TÉCNICOS", son de producción serie y

### Cumplen con las siguientes Directivas europeas:

2004/108/CE, 2006/42/CE, 2000/14/CE y 2005/88/CE, 2006/95/CE

Y se han fabricado de acuerdo con los siguientes estándares o documentos estandarizados:

EN 60335, EN 62233, EN 55014, EN 61000

La documentación técnica la conserva:

Makita International Europe Ltd.,  
Michigan Drive, Tongwell,  
Milton Keynes, MK15 8JD, Inglaterra

El procedimiento de evaluación de conformidad requerido por la Directiva 2000/14/CE se realizó de acuerdo con el Anexo VI.

Organismo notificado:

TÜV SÜD Industrie Service GmbH  
Westendstraße 199, D-80686 München  
Número de identificación: 0036

Modelo: ELM3311

Nivel de potencia sonora medido: 87,7 dB (A)

Nivel de potencia sonora garantizado: 96 dB (A)

Modelo: ELM3711

Nivel de potencia sonora medido: 91,0 dB (A)

Nivel de potencia sonora garantizado: 96 dB (A)

30. 11. 2012

Tomoyasu Kato  
Director

Makita Corporation  
3-11-8, Sumiyoshi-cho,  
Anjo, Aichi, 446-8502, JAPAN

**Descrição geral**

- |                           |                                |                                 |
|---------------------------|--------------------------------|---------------------------------|
| 1. Pega superior          | 9. Roda dianteira              | 17. A tampa da roda dianteira   |
| 2. Caixa de interruptores | 10. Tampa do motor             | 18. A roda dianteira            |
| 3. Botão de segurança     | 11. Pega inferior              | 19. O suporte da roda dianteira |
| 4. Alavanca de bloqueio   | 12. Gancho do cabo             | 20. Tampa traseira              |
| 5. Grampo do cabo         | 13. Pega de interruptor        | 21. Indicador de nível          |
| 6. Colector de relva      | 14. A tampa da roda traseira   | 22. Luz indicadora              |
| 7. Roda traseira          | 15. A roda traseira            |                                 |
| 8. Compartimento inferior | 16. O suporte da roda traseira |                                 |

**CONHEÇA O SEU CORTADOR DE GRAMA ELÉTRICO**

Leia atentamente este manual, cumprindo as instruções de segurança recomendadas antes, durante e depois de utilizar o cortador de grama elétrico. Cumprir estas simples instruções irá também manter o seu cortador de grama elétrico em bom estado. Familiarize-se com os controlos do cortador antes de tentar operá-lo, mas acima de tudo, certifique-se de que sabe como parar o cortador em caso de emergência. Guarde este manual de utilizador e a restante documentação junto com o cortador para referência futura.

**1. SÍMBOLOS MARCADOS NO PRODUTO**



Leia atentamente este livro de instruções antes de utilizar o cortador de grama elétrico e guarde-o num local seguro para referência futura.



Mantenha as pessoas afastadas.



Tenha cuidado com as lâminas afiadas.



Mantenha o cabo flexível de alimentação afastado das lâminas de corte.



**SÍMBOLO DE ALERTA DE SEGURANÇA:** Indica cautela ou pode ser utilizado um aviso em conjunto com outros símbolos ou imagens.

**ISOLAMENTO DUPLO**



O cortador tem isolamento duplo.

Isto significa que todas as peças externas estão isoladas electricamente da fonte de alimentação. Isto é conseguido através da colocação de um barreira de isolamento extra entre as peças eléctricas e as peças mecânicas.

**2. REGRAS GERAIS DE SEGURANÇA**

A finalidade das regras de segurança é atrair a sua atenção para possíveis perigos. Os símbolos de segurança e as explicações neles, exigem a sua atenção e compreensão. Os avisos de segurança não eliminam por si só quaisquer perigos. As instruções ou avisos que fornecem não substituem as medidas de prevenção de acidentes adequadas.



**AVISO:** A desobediência de um aviso de segurança pode resultar em ferimentos graves para si e para outros. Cumpra sempre as precauções de segurança para reduzir o risco de incêndio, choques eléctricos e ferimentos pessoais. Guarde o manual do proprietário e consulte-o frequentemente para manter um funcionamento seguro e para instruir outros que possam utilizar esta ferramenta.



**AVISO:** Esta máquina produz um campo electromagnético durante o funcionamento. Em certas circunstâncias, este campo pode interferir com implantes médicos activos ou passivos. Para reduzir o risco de ferimentos graves ou fatais, é aconselhável que as pessoas com implantes médicos consultem o seu médico e o fabricante do implante antes de utilizar esta máquina.



**AVISO:** O funcionamento de qualquer ferramenta pode resultar em objectos estranhos a serem projectados para os seus olhos, o que pode resultar em danos graves nos olhos. Antes de iniciar o funcionamento da ferramenta eléctrica, use sempre óculos de segurança ou óculos de protecção com protecções laterais e, quando necessário, protecção de rosto completa. É aconselhável utilizar uma máscara de segurança de visão ampla em vez de óculos ou óculos de protecção padrão com protecção lateral.

- 1) Leia atentamente as instruções. Familiarize-se com os controlos e a utilização adequada do equipamento.
- 2) Nunca permita que crianças ou pessoas não familiarizadas com estas instruções utilizem o cortador de grama elétrico. As regulamentações locais podem restringir a idade do operador.
- 3) Nunca corte relva com pessoas, especialmente, crianças ou animais por perto.
- 4) Lembre-se que o operador ou o utilizador é responsável pelos acidentes ou perigos que ocorrem a outras pessoas ou à sua propriedade.
- 5) Durante o corte, use sempre calçado adequado e calças longas. Não utilize o equipamento descalço ou usando sandálias abertas.
- 6) Inspeccione minuciosamente a área onde vai utilizar o equipamento e retire todos os objectos que podem ser projectados pela máquina.
- 7) Antes de utilizar, inspeccione sempre visualmente para se certificar de que as lâminas, parafusos das lâminas e o conjunto do cortador não estão gastos ou danificados. Substitua as lâminas e parafusos gastos e danificados por conjuntos para preservar o equilíbrio.
- 8) Corte a relva apenas durante o dia ou com uma boa luz artificial.
- 9) Evite operar o equipamento na relva molhada, quando possível.
- 10) Certifique-se de que tem sempre um bom apoio de pés nos declives.
- 11) Caminhe, nunca corra.
- 12) Para máquinas com rodas; corte a relva nos declives na transversal, nunca para cima e para baixo.
- 13) Tenha muito cuidado quando mudar de direcção nos declives.
- 14) Não corte a relva em declives com uma inclinação excessiva.
- 15) Tenha muito cuidado quando recuar ou puxar o cortador de grama elétrico na sua direcção.
- 16) Pare a lâmina se o cortador de grama elétrico tiver de ser inclinado para transporte quando atravessar superfícies que não relva e quando transportar o cortador de grama elétrico de e para a área a cortar.
- 17) Nunca opere o cortador de grama elétrico com protecções defeituosas ou sem dispositivos de segurança, por exemplo, deflectores e/ou colectores de relva, em posição.
- 18) Ligue o motor com cuidado de acordo com as instruções e com os pés bem afastados das lâminas.
- 19) Não incline o cortador de grama elétrico quando ligar o motor, excepto se o cortador de grama elétrico tiver de ser inclinado para ligar. Neste caso, não a incline mais do que necessário e levante apenas a parte afastado do operador.
- 20) Não ligue o motor quando se encontrar em frente ao canal de escoamento.
- 21) Não coloque as mãos ou os pés perto ou debaixo das peças rotativas. Mantenha-se sempre afastado da abertura de descarga.
- 22) Nunca desloque ou transporte um cortador de grama elétrico com o motor em funcionamento.
- 23) Pare o motor e desligue a ficha:
  - antes de eliminar bloqueios ou desentupir o canal de escoamento;
  - antes de verificar, limpar ou efectuar reparações no cortador de grama elétrico;
  - após bater num objecto estranho. Inspeccione o cortador de grama elétrico por danos e efectue reparações antes de ligar e operar novamente o cortador de grama elétrico;
  - se o cortador de grama elétrico começar a vibrar de forma estranha (verifique imediatamente).
- 24) Desligue o cortador de grama elétrico:
  - sempre que abandonar o cortador de grama elétrico.
- 25) Mantenha todas as porcas e parafusos apertados para se certificar de que o equipamento se encontra em bom estado.
- 26) Verifique frequentemente o colector de relva por desgaste e deterioração.
- 27) Por razões de segurança, substitua as peças gastas ou danificadas.
- 28) Não utilize o cortador de grama elétrico se os cabos estiverem danificados ou gastos.
- 29) Não ligue um cabo danificado à alimentação nem toque num cabo danificado antes de ser desligado da alimentação. Um cabo danificado pode resultar no contacto com peças sob tensão.
- 30) Não toque na lâmina antes da máquina ser desligada da alimentação e antes da lâmina parar por completo.
- 31) Mantenha os cabos de extensão afastados da lâmina. A lâmina pode causar danos nos cabos e resultar no contacto com peças sob tensão.
- 32) Para desligar a alimentação (isto é, puxar a ficha da tomada):
  - sempre que deixar a máquina sem supervisão;
  - antes de eliminar um bloqueio;
  - antes de verificar, limpar ou efectuar reparações na máquina;
  - após bater num objecto estranho;
  - sempre que a máquina começar a vibrar de forma estranha.
- 33) As crianças devem ser supervisionadas para garantir que não brincam com o aparelho.
- 34) Este aparelho não se destina à utilização por pessoas (incluindo crianças) com capacidades físicas, sensoriais ou mentais reduzidas ou falta de experiência e conhecimento, a menos que tenham sido supervisionadas ou formadas, relativamente à utilização do aparelho, por uma pessoa responsável pela sua segurança.
- 35) Se o cabo de alimentação estiver danificado, tem de ser substituído por um cabo ou conjunto especial disponível a partir do fabricante ou agente de assistência.
- 36) As instruções para o funcionamento seguro do aparelho, incluindo uma recomendação de que o aparelho deve ser fornecido através de um Dispositivo de Corrente Residual (RCD) com uma corrente de paragem inferior a 30 mA.
- 37) Tenha cuidado durante o ajuste da máquina para evitar prender dedos entre as lâminas em movimento e as peças fixas da máquina.
- 38) Permita sempre que a máquina arrefeça antes de a armazenar.

- 39) Ao efectuar manutenção nas lâminas, lembre-se de que, mesmo que a fonte de alimentação esteja desligada, as lâminas podem ser movidas.
- 40) Substitua as peças desgastadas ou danificadas por razões de segurança; Utilize apenas peças sobresselentes e acessórios genuínos.
- 41) Tenha cuidado durante o ajuste do aparelho para evitar prender dedos entre as lâminas em movimento e as peças fixas do aparelho.
- 42) Antes da utilização, verifique o cabo de alimentação e de extensão por sinais de danos ou desgaste. Se o cabo se danificar durante a utilização, desligue

imediatamente o cabo da alimentação. **NÃO TOQUE NO CABO ANTES DE DESLIGAR A ALIMENTAÇÃO.** Não utilize o aparelho se o cabo estiver danificado ou gasto.

- 43) Se o cabo de alimentação estiver danificado, tem de ser substituído pelo fabricante, pelo seu agente de serviço ou por pessoas igualmente qualificadas, de modo a evitar perigos.

### 3. DESCRIÇÃO DAS PEÇAS (Fig. 1)

## 4. DADOS TÉCNICOS

Modelo:	ELM3311	ELM3711
Tensão nominal:	230 V~	230 V~
Frequência nominal:	50 Hz	50 Hz
Potência nominal:	1.100 W	1.300 W
Velocidade sem carga:	2.900/min	2.900/min
Largura de corte:	330 mm	370 mm
Nível de potência sonora garantido:	96 dB (A)	96 dB (A)
$L_{pA}$ (SPL) no local do utilizador:	75,4 dB (A), K=3 dB (A)	77,6 dB (A), K=3 dB (A)
Vibração garantida:	0,672 m/s <sup>2</sup> , K=1,5 m/s <sup>2</sup>	0,917 m/s <sup>2</sup> , K=1,5 m/s <sup>2</sup>
Capacidade do colector de relva:	27 L	35 L
Peso líquido:	13,1 kg	14,9 kg
Grau de protecção contra líquido:	IP24	IP24
Regulação da altura:	20/40/55 mm, 3 regulações	20/40/55 mm, 3 regulações

## 5. MONTAGEM

### 5-1 MONTE A RODA

Introduza o eixo da tampa da roda dianteira e traseira na roda e, de seguida, aparafuse no orifício do suporte da roda. (Fig. 2)



**AVISO:** Todas as rodas têm de estar à mesma altura.

### 5-2 MONTE A PEGA REBATÍVEL

- A) Introduza as barras inferiores nos orifícios fixos do compartimento inferior e, de seguida, fixe com o parafuso fornecido através de uma chave de fendas. (Fig. 3, Fig. 4, Fig. 5)
- B) Ligue a pega superior e a pega inferior com a alavanca de bloqueio. (Fig. 6, Fig. 7)
- C) Posicione o cabo sobre o veio da pega. Fixe-o em torno do centro da pega inferior através do grampo do cabo e certifique-se de que o cabo está fixo na parte exterior da pega. Caso contrário, o cabo pode ser trilhado pela abertura/fecho da tampa traseira. (Fig. 8)

### 5-3 MONTE O COLECTOR DE RELVA

- Para instalar: Levante a tampa traseira e engate o colector de relva na parte traseira do cortador. (Fig. 9, Fig. 10, Fig. 11)
- Para retirar: Agarre e levante a tampa traseira, retire o colector de relva.

Existe um indicador de nível na parte superior do colector de relva que mostra se o colector está vazio ou cheio (Fig. 12A, Fig. 12B):

- O indicador de nível enche se o colector não estiver cheio durante a deslocação. (Fig. 12B)
- Se o colector estiver cheio, o indicador colapsa. Assim que isto acontecer, pare imediatamente e esvazie o colector, certifique-se de que está limpo e de que a rede é ventilada. (Fig. 12A)

#### IMPORTANTE

Se a posição da abertura do indicador estiver muito suja, o indicador não irá encher. Neste caso, limpe imediatamente a posição da abertura do indicador.

## 6. REGULAÇÃO DA ALTURA DE CORTE

A altura de corte é regulada instalando as rodas no orifício necessário.

Todas as rodas têm de estar à mesma altura.

A altura (da lâmina ao solo) pode ser ajustada de 20 mm a 55 mm (3 posições de altura). (Fig. 13)

A regulação inferior: 20 mm (posição (1)); a regulação média: 40 mm (posição (2)); a regulação mais alta: 55 mm (posição (3)).



**AVISO:** Desligue o cabo eléctrico da fonte de alimentação.





**AVISO:** Efectue apenas esta regulação quando a lâmina está parada.

## 7. PRECAUÇÕES DE SEGURANÇA

- Opere sempre com o deflector ou colector de relva na posição correcta.
- Desligue sempre o motor antes de retirar o colector de relva ou regular a altura da posição de corte.
- Antes de cortar relva, retire todos os objectos estranhos da relva que possam ser projectados pela máquina. Durante o corte, permaneça atento por quaisquer objectos estranhos que possa não ter visto. (Fig. 14)
- Nunca levante a parte traseira do cortador ao ligar o motor ou durante o funcionamento normal. (Fig. 15)
- Nunca coloque as mãos ou os pés debaixo do compartimento inferior ou no canal de escoamento traseiro enquanto o motor está em funcionamento. (Fig. 16)

## 8. INÍCIO

Antes de ligar o cortador de grama eléctrico à fonte de alimentação eléctrica, certifique-se de que a tensão de alimentação da corrente eléctrica é 230 V ~ 50 Hz.

Antes de ligar o cortador de grama eléctrico, fixe o cabo de extensão no gancho do cabo. (Fig. 17)

Quando o cortador de grama eléctrico está ligado, a luz indicadora irá acender. (Fig. 18)

Ligue o motor da seguinte forma. (Fig. 19)

- Prima o botão de segurança (1).
- E, entretanto, puxe a pega de interruptor (2) e continue a segurá-la.

Empurre o cortador de grama eléctrico manualmente quando o motor está em funcionamento.

Se soltar a pega de interruptor, o motor irá desligar-se.



**PRECAUÇÃO:** A lâmina começa a rodar assim que o motor é ligado.



**AVISO:** Os elementos de corte continuam a rodar após o motor ser desligado.

## 9. LÂMINA

A lâmina é feita de aço torcido. Será necessário remoldá-la frequentemente (com uma mó).

Certifique-se de que está sempre equilibrada (uma lâmina desequilibrada irá causar vibrações perigosas). Para verificar o equilíbrio, introduza uma haste redonda no orifício central e segure a lâmina na horizontal. (Fig. 20)

Uma lâmina equilibrada irá permanecer na horizontal. Se a lâmina não estiver equilibrada, a extremidade pesada irá rodar para baixo. Molde novamente a extremidade pesada até a lâmina ficar equilibrada. (Fig. 21) Para retirar a lâmina (2), desaperte o parafuso da lâmina (3). (Fig. 22, Fig. 23, Fig. 24)

Verifique o estado da ventoinha (1) e substitua as peças danificadas. (Fig. 22)

Aquando da montagem, certifique-se de que as extremidades de corte estão viradas no sentido de rotação do motor. O parafuso da lâmina (3) tem de ser apertado a um binário de 20-25 Nm.



**AVISO:** Para assistência, substitua a lâmina com: Apenas MAKITA 263001422 (para ELM3311) e MAKITA 263001414 (para ELM3711).

## 10. CABOS DE EXTENSÃO

Só deve utilizar cabos de extensão para utilização exterior, trabalhos normais com uma área de secção transversal superior a 1,0 mm<sup>2</sup>.

Antes de utilizar, verifique o cabo de alimentação e de extensão por sinais de danos durante a utilização, desligue o cabo em caso de sinais de danos ou desgaste. Se o cabo se danificar durante a utilização, desligue imediatamente o cabo da alimentação. **NÃO TOQUE NO CABO ANTES DE DESLIGAR A ALIMENTAÇÃO.** Não utilize o aparelho se o cabo estiver danificado ou gasto. Mantenha o cabo de extensão afastado dos elementos de corte.



**AVISO:** Certifique-se sempre de que as aberturas de ventilações estão isentas de detritos.

## 11. MANUTENÇÃO E CUIDADOS



**AVISO:** Antes de efectuar qualquer trabalho de manutenção ou limpeza, retire sempre a ficha da corrente eléctrica!

Não pulverize a unidade com água. A entrada de água pode destruir a unidade de combinação interruptor-ficha e o motor eléctrico. Limpe a unidade com um pano, vassourinha, etc.

**É necessária uma inspecção por peritos, não efectue regulações sozinho, contacte o centro de assistência autorizado da Makita:**

- se o cortador de grama eléctrico bater num objecto.
- se o motor parar repentinamente.
- se a lâmina estiver deformada (não alinhe!).
- se o veio do motor estiver deformado (não alinhe!).
- se ocorrer um curto-circuito quando o cabo está ligado.
- Se as engrenagens estiverem danificadas.
- Se a correa trapezoidal tiver defeitos.

## 12. RESOLUÇÃO DE PROBLEMAS



**AVISO:** Antes de efectuar qualquer trabalho de manutenção ou limpeza, retire sempre a ficha da corrente eléctrica e aguarde que o cortador pare por completo.

Avaria	Ação correctiva
O motor não arranca	Verifique o cabo de ligação da corrente eléctrica. Comece na relva curta ou numa área que já tenha sido cortada. Limpe o canal de descarga/estrutura - a lâmina de corte tem de rodar livremente. Corrija a altura de corte.
Quebras de potência do motor	Corrija a altura de corte. Limpe o canal de descarga/estrutura. Afie/substitua a lâmina de corte → centro de assistência autorizado.
O colector de relva não está cheio	Corrija a altura de corte. Deixe o relva secar. Afie/substitua a lâmina de corte → centro de assistência autorizado. Limpe a grelha no colector de relva. Limpe o canal de descarga/estrutura.
A roda motriz tracção não funciona	Ajuste o cabo flexível. Verifique a correia trapezoidal/engrenagens → centro de assistência autorizado. Verifique as rodas motrizes por danos.



**PRECAUÇÃO:** As avarias que não podem ser corrigidas com a ajuda desta tabela só podem ser rectificadas por um centro de assistência autorizado da Makita.

## 13. ELIMINAÇÃO ECOLÓGICA



De acordo com a directiva UE 2002/96/EC sobre equipamento eléctrico e electrónico e implementação na lei nacional, todas as ferramentas eléctricas têm de ser recolhidas separadamente e recicladas ecologicamente.

Eliminação alternativa: Se o proprietário da

ferramenta eléctrica não devolver a ferramenta ao fabricante, ele é responsável pela eliminação adequada num ponto de recolha designado que prepara o dispositivo para reciclagem de acordo com as leis e regulamentações nacionais de reciclagem. Isto não inclui acessórios e ferramentas sem componentes eléctricos ou electrónicos.

### Apenas para países europeus

#### Declaração de conformidade CE

**Nós, a Makita Corporation, como fabricante responsável, declaramos que a(s) máquina(s) Makita seguinte(s):**

Designação da máquina: Cortador de Grama Elétrico

Nº/Tipo de modelo: ELM3311, ELM3711

Especificações: Consulte "4. DADOS TÉCNICOS" são de produção em série e

Está em conformidade com as directivas europeias seguintes:

2004/108/EC, 2006/42/EC, 2000/14/EC & 2005/88/EC, 2006/95/EC

E são fabricadas de acordo com as normas e documentos padronizados seguintes:

EN 60335, EN 62233, EN 55014, EN 61000

A documentação técnica é mantida por:

Makita International Europe Ltd.,  
Michigan Drive, Tongwell,  
Milton Keynes, MK15 8JD, Inglaterra

O procedimento de avaliação da conformidade requisitado pela Directiva 2000/14/EC estava de acordo com o anexo VI.

Corpo notificado:

TÜV SÜD Industrie Service GmbH  
Westendstraße 199, D-80686 München  
Número de identificação: 0036

Modelo: ELM3311

Nível de potência sonora medida: 87,7 dB (A)

Nível de potência sonora garantida: 96 dB (A)

Modelo: ELM3711

Nível de potência sonora medida: 91,0 dB (A)

Nível de potência sonora garantida: 96 dB (A)

30. 11. 2012

Tomoyasu Kato  
Director

Makita Corporation  
3-11-8, Sumiyoshi-cho,  
Anjo, Aichi, 446-8502, JAPAN

## Forklaring til generel oversigt

- |                    |                      |                      |
|--------------------|----------------------|----------------------|
| 1. Øverste håndtag | 9. Forhjul           | 17. Forhjulsdækslet  |
| 2. Afbryderkasse   | 10. Motordæksel      | 18. Forhjulet        |
| 3. Sikkerhedsknap  | 11. Nederste håndtag | 19. Forhjulsophænget |
| 4. Låsearm         | 12. Kabelkrog        | 20. Bagdæksel        |
| 5. Kabelklemme     | 13. Afbryderhåndtag  | 21. Niveauindikator  |
| 6. Græsopsamler    | 14. Baghjulsdækslet  | 22. Indikatorlampe   |
| 7. Baghjul         | 15. Baghjulet        |                      |
| 8. Understel       | 16. Baghjulsophænget |                      |

## LÆR DIN PLÆNEKLIPPER AT KENDE

Læs denne brugsanvisning omhyggeligt igennem og bemærk de anbefalede sikkerhedsanvisninger før, under og efter brug af din plæneklipper. Følger du disse simple anvisninger er det også med til at bibeholde din plæneklipper i god stand. Gør dig bekendt med betjeningen af din plæneklipper inden du anvender den, og sørg især for at kende til, hvordan du stopper plæneklipperen i et nødstilfælde. Gem denne brugsanvisning og andre papirer til plæneklipperen, så de altid er til rådighed.

### 1. SYMBOLER PÅ PRODUKTET



Læs denne brugsanvisning omhyggeligt igennem inden brug af plæneklipperen og opbevar den på et sikkert sted, så den altid er til rådighed.



Hold andre tilstedeværende på afstand.



Pas på skarpe knive.



Tag stikket ud af maskinen inden vedligeholdelse, eller hvis ledningen er beskadiget.



Hold flexstrømforsyningsledningen væk fra skæreknivene.



**SYMBOL FOR SIKKERHEDSADVARSEL:** Angiver opfordring til forsigtighed eller advarsel i forbindelse med andre symboler eller billeder.

### DOBBELTISOLERET



**Plæneklipperen er dobbeltisoleret.**

Dette betyder, at alle eksterne dele er elektrisk isolerede fra strømforsyningen. Dette opnås ved at placere en

ekstra isoleringsbarriere mellem de elektriske og mekaniske dele.

## 2. GENERELLE SIKKERHEDSREGLER

Formålet med sikkerhedsreglerne er at gøre dig opmærksom på eventuelle farer. Sikkerhedssymbolerne, og forklaringerne sammen med dem, kræver din fulde opmærksomhed og forståelse. Sikkerhedsadvarselne alene eliminerer ikke alle farer. De instruktioner eller advarsler de giver, er ikke erstatninger for korrekt ulykkesforebyggelse.



**ADVARSEL:** Hvis sikkerhedsadvarselne ikke overholdes, kan det medføre alvorlige skader på dig selv eller andre. Efterfølg altid sikkerhedsforholdsreglerne for at reducere risikoen for brand, elektrisk stød og personskader. Gem brugsanvisningen og konsulter den ofte for fortsat sikker anvendelse og for instruktion af andre, der eventuelt bruger denne maskine.



**ADVARSEL:** Denne maskine frembringer et elektromagnetisk felt under anvendelsen. Dette felt kan under visse omstændigheder interferere med aktive eller passive medicinske implantater. For at reducere risikoen for alvorlige eller fatale skader anbefaler vi, at personer med medicinske implantater konsulterer deres læge og producenten af de medicinske implantater inden anvendelse af denne maskine.



**ADVARSEL:** Enhver anvendelse af en maskine kan medføre, at der udkastes fremmedlegemer som du kan få i øjnene, hvilket kan resultere i alvorlig beskadigelse af øjnene. Inden anvendelse af en maskine skal du altid bære beskyttelsesbriller med sidebeskyttelse eller en ansigtsskærm, hvis det er nødvendigt. Vi anbefaler en bred beskyttelsesmaske til brug over briller eller almindelige beskyttelsesbriller med sidebeskyttelse.

- 1) Læs omhyggeligt instruktionerne igennem. Gør dig bekendt med betjeningen og den korrekte anvendelse af udstyret.
- 2) Lad aldrig børn eller personer, som ikke har kendskab til disse instruktioner, anvende plæneklipperen. Lokale bestemmelser kan sætte begrænsninger for brugerens alder.
- 3) Klip aldrig græs mens der er personer, især børn, eller kæledyr i nærheden.

- 4) Vær opmærksom på, at operatøren eller brugeren er ansvarlig for ulykker eller farlige situationer, der måtte opstå mod andre personer eller deres ejendele.
- 5) Bær altid robust fodtøj og lange bukser under plæneklipping. Anvend ikke maskinen med bare fødder eller åbne sandaler.
- 6) Gennemgå grundigt det område hvor maskinen skal anvendes, og fjern alle de genstande der kan blive kastet ud af maskinen.
- 7) Inden brug skal du altid se efter slid eller skader på knivene, knivboltene og knivmonteringen. Udskift slidte eller beskadigede knive og bolte sætvis for at opretholde balancen.
- 8) Klip kun græs i dagslys eller under god kunstig belysning.
- 9) Undgå at anvende maskinen i vådt græs, hvor det er muligt.
- 10) Sørg altid for et godt fodfæste på skråninger.
- 11) Gå, løb aldrig.
- 12) Med kørende roterende maskiner skal klipningen foregå på tværs af skråninger og aldrig op og ned.
- 13) Vær meget forsigtig ved retningsændringer på skråninger.
- 14) Klip ikke græs på meget stejle skråninger.
- 15) Vær meget forsigtig, når du bakker eller trækker plæneklipperen ind mod dig selv.
- 16) Stop kniven hvis plæneklipperen skal vippes af hensyn til transport over andre overflader end græs, eller når plæneklipperen transporteres til og fra det område, hvor der skal klippes græs.
- 17) Benyt aldrig plæneklipperen, hvis beskyttelsesskærmene er beskadiget eller uden påmonteret sikkerhedsudstyr som f.eks. deflektorer og/eller græsopsamlere.
- 18) Start eller tænd for motoren præcis som beskrevet i brugsanvisningen med fødderne på god afstand af knivene.
- 19) Vip ikke plæneklipperen, når du starter motoren, undtagen hvis plæneklipperen skal vippes for at starte. I dette tilfælde skal den ikke vippes mere end absolut nødvendigt, og løft kun den del, der vender væk fra operatøren.
- 20) Start ikke motoren, mens du står foran græsudkastet.
- 21) Stik ikke hænder eller fødder ind i nærheden af eller under roterende dele. Hold dig altid væk fra udkastningsåbningen.
- 22) Løft eller bær aldrig en plæneklipper, mens motoren kører.
- 23) Stop motoren og tag stikket ud.
  - inden fjernelse af forhindringer eller rensning af græsudkastet;
  - inden kontrol, rengøring eller arbejde på plæneklipperen;
  - efter du har ramt et fremmedlegeme. Kontroller plæneklipperen for skader og udfør reparationer inden start eller betjening af plæneklipperen;
  - hvis plæneklipperen vibrerer unormalt (kontroller straks).
- 24) Stop plæneklipperen:
  - når du forlader plæneklipperen.
- 25) Sørg for, at alle møtrikker, bolte og skruer er strammet, så maskinen altid er klar til brug.
- 26) Kontroller jævnligt græsopsamleren for slid eller beskadigelse.
- 27) Udskift slidte eller beskadigede dele af sikkerhedshensyn.
- 28) Brug ikke plæneklipperen, hvis ledningerne er beskadiget eller slidte.
- 29) Tilslut ikke en beskadiget ledning til strømforsyningen og rør ikke en beskadiget ledning, før dens forbindelse til strømforsyningen er afbrudt. En beskadiget ledning kan medføre kontakt med strømførende dele.
- 30) Rør ikke ved kniven før maskinens forbindelse til strømforsyningen er afbrudt, og kniven er fuldstændigt stoppet.
- 31) Hold forlængerledninger væk fra kniven. Kniven kan beskadige ledningerne og medføre kontakt med strømførende dele.
- 32) Afbryd strømforsyningen (dvs. udtag stikket fra stikkontakten):
  - inden maskinen lades uden opsyn;
  - inden du fjerner en forhindring;
  - inden kontrol, rengøring eller arbejde på maskinen;
  - efter du har ramt et fremmedlegeme;
  - når maskinen begynder at vibrere unormalt.
- 33) Børn bør holdes under opsyn for at sikre, at de ikke leger med apparatet.
- 34) Dette apparat er ikke beregnet til brug af personer (inklusive børn) med reducerede fysiske, sensoriske eller mentale evner, eller personer med manglende erfaring og viden, medmindre de er under opsyn eller instrueres i brugen af apparatet af en person, der er ansvarlig for deres sikkerhed.
- 35) Hvis strømforsyningsledningen er beskadiget, skal den udskiftes med en specialledning eller vha. en samling fra producenten eller serviceagenten.
- 36) Instruktions for sikker anvendelse af apparatet, inklusive en anbefaling om, at apparatet bør strømfødes via en fejlstrømsafbryder (RCD) med en udløsningsstrøm på ikke mere end 30 mA.
- 37) Vær forsigtig ved justering af maskinen for at forhindre at fingrene sætter sig fast mellem de roterende knive og maskinens faste dele.
- 38) Lad altid motoren køle af, inden den stilles væk.
- 39) Når knivene efterses, skal du være opmærksom på, at selvom strømkilden er slået fra, kan knivene alligevel køre rundt.
- 40) Udskift slidte eller beskadigede dele af sikkerhedshensyn. Brug kun originale udskiftningsdele og tilbehør.
- 41) Vær forsigtig ved justering af apparatet for at forhindre at fingrene sætter sig fast mellem de roterende knive og apparatets faste dele.
- 42) Kontroller strømforsynings- og forlængerledningen inden brug for tegn på beskadigelse eller slid. Hvis ledningen bliver beskadiget under brug, skal ledningen straks afbrydes fra strømforsyningen. RØR IKKE VED LEDNINGEN, FØR DEN ER BLEVET AFBRUDT FRA STRØMFORSYNINGEN. Benyt ikke apparatet, hvis ledningen er beskadiget eller slidt.
- 43) Hvis strømforsyningsledningen beskadiges, skal den udskiftes af producenten, serviceagenten eller lignende kvalificerede personer for at undgå eventuelle risici.

### 3. BESKRIVELSE AF DELE (Fig. 1)

## 4. TEKNISKE DATA

Model:	ELM3311	ELM3711
Nominal spænding:	230 V~	230 V~
Nominal frekvens:	50 Hz	50 Hz
Nominal effekt:	1.100 W	1.300 W
Hastighed uden belastning:	2.900/min.	2.900/min.
Skærebredde:	330 mm	370 mm
Garanteret lydeffektniveau:	96 dB (A)	96 dB (A)
L <sub>PA</sub> (SPL) på brugerens plads:	75,4 dB (A), K=3 dB (A)	77,6 dB (A), K=3 dB (A)
Garanteret vibration:	0,672 m/s <sup>2</sup> , K=1,5 m/s <sup>2</sup>	0,917 m/s <sup>2</sup> , K=1,5 m/s <sup>2</sup>
Græsopsamlerkapacitet:	27 l	35 l
Nettovægt:	13,1 kg	14,9 kg
Beskyttelsesgrad mod væske:	IP24	IP24
Højdejustering:	20/40/55 mm, 3 justeringer	20/40/55 mm, 3 justeringer

## 5. MONTERING

### 5-1 MONTERING AF HJULET

Sæt akslen på det forreste og bagerste hjuldæksel ind i hjulet og skru derefter ind i hullet på hjulophænget. (Fig. 2)



**ADVARSEL:** Alle hjulene skal være i samme højde.

### 5-2 MONTERING AF FOLDEHÅNDTAGET

- Indsæt de nederste håndtagsstænger i de faste huller i understellet og fastgør dem derefter med den medfølgende skrue vha. en skruetrækker. (Fig. 3, Fig. 4, Fig. 5)
- Tilslut det øverste håndtag med det nederste håndtag vha. låsearmen. (Fig. 6, Fig. 7)
- Placer kablet over håndtagsskaffet. Klem det fast ca. midt på det nederste håndtag med kabelklemmen, og sørg for at kablet er fastgjort på ydersiden af håndtaget. Ellers kan kablet blive klemt, når bagdækslet åbnes/lukkes. (Fig. 8)

### 5-3 MONTERING AF

#### GRÆSOPSAMLEREN

- Påsætning: Løft bagdækslet op og hæng græsopsamleren bag på plæneklipperen. (Fig. 9, Fig. 10, Fig. 11)
- Aftagning: Tag fat og løft op i bagdækslet for tage græsopsamleren af.

Der en niveauindikator oven på græsopsamleren, som viser om opsamleren er tom eller fuld (Fig. 12A, Fig. 12B):

- Niveauindikatoren udspiles, hvis opsamleren er fuld under klipningen. (Fig. 12B)
- Hvis opsamleren er fuld, klapper indikatoren sammen. Når først dette sker, skal du øjeblikkeligt stoppe klipningen og tømme opsamleren, sørg for at den er ren, samt sikre dig at lufte kan passere igennem dens trådned. (Fig. 12A)

#### VIGTIGT

Hvis indikatoråbningens position er meget beskidt, udspiles indikatoren ikke. I dette tilfælde skal du straks rengøre indikatoråbningens position.

## 6. JUSTERING AF KLIPPEHØJDE

Klippehøjden justeres ved at montere hjulene i det ønskede hul.

Alle hjulene skal være i samme højde.

Højden (fra kniven til jorden) kan justeres fra 20 mm til 55 mm (3 højdepositioner). (Fig. 13)

Den laveste justering: 20 mm (position (1)); midterjusteringen: 40 mm (position (2)); den højeste justering: 55 mm (position (3)).



**ADVARSEL:** Tag elledningen ud af stikkontakten.



**ADVARSEL:** Foretag kun denne justering, mens kniven er stoppet.

## 7. SIKKERHEDSFORHOLDSREGLER

- Benytt altid maskinen med deflektoren eller græsopsamleren i den korrekte position.
- Stop altid motoren, inden du tager græsopsamleren af eller justerer højden på klippepositionen.
- Inden klipning fjernes alle de fremmedlegemer fra græsplænen, der kan blive kastet ud af maskinen. Under klipningen skal du være opmærksom på eventuelle fremmedlegemer, som du har overset. (Fig. 14)
- Løft aldrig bagenden på plæneklipperen, mens du starter motoren eller under normal anvendelse. (Fig. 15)
- Placer aldrig hænderne, eller mærk efter med hænderne, nedenunder understellet eller inde bagerst i græsudkastet, mens motoren kører. (Fig. 16)

## 8. START

Inden du tilslutter plæneklipperen til strømforsyningen, skal du sikre dig, at spændingen i stikkontakten er 230 V~50 Hz.

Sæt forlængerledningen ind i kabelkrogen, inden du starter plæneklipperen. (Fig. 17)

Når plæneklipperen er tændt, lyser indikatorlampen. (Fig. 18)

Start motoren som følger. (Fig. 19)

- Tryk på sikkerhedsknappen (1).
- Træk samtidigt i afbryderhåndtaget (2) og hold det fast.

Skub plæneklipperen manuelt, når motoren kører.

Hvis du slipper afbryderhåndtaget, standser motoren.



**FORSIGTIG:** Kniven begynder at dreje rundt, så snart motoren er startet.



**ADVARSEL:** Skærelementerne fortsætter med at dreje rundt, efter motoren er slukket.

## 9. KNIV

Kniven er lavet af presset stål. Det vil jævnligt være nødvendigt omforme den (med en slibeskive).

Sørg for at den altid er afbalanceret (en ubalanceret kniv forårsager farlige vibrationer). Du kan kontrollere balancen ved at indsætte en rund stang i hullet i midten og understøtte kniven i vandret position. (Fig. 20) En afbalanceret kniv forbliver vandret. Hvis kniven ikke er afbalanceret, drejer den tunge ende nedad. Omform den tunge ende indtil kniven er i balance. (Fig. 21) Afmonter kniven (2) ved at skrue knivskruen (3) ud. (Fig. 22, Fig. 23, Fig. 24)

Kontroller ventilatorens tilstand (1) og udskift alle eventuelt beskadigede dele. (Fig. 22)

Når kniven monteres igen, skal du sikre dig, at de skarpe sider vender i den retning, som motoren drejer. Knivskruens (3) skal strammes med et moment på 20-25 Nm.



**ADVARSEL:** Ved udskiftning af kniven skal følgende anvendes: Kun MAKITA 263001422 (til ELM3311) og MAKITA 263001414 (til ELM3711).

## 10. FORLÆNGERLEDNINGER

Du skal kun anvende forlængerledninger til udendørsbrug, til almindeligt brug med et tværsnit på mindst 1,0 mm<sup>2</sup>.

Inden brug kontrolleres strømforsynings- og forlængerledninger for tegn på skader opstået under brug, og ledningen afbrydes ved tegn på skader eller ældning. Hvis ledningen bliver beskadiget under brug, skal ledningen straks afbrydes fra strømforsyningen. RØR IKKE VED LEDNINGEN, FØR DEN ER BLEVET AFBRUDT FRA STRØMFORSYNINGEN. Benyt ikke apparatet, hvis ledningen er beskadiget eller slidt. Hold forlængerledningen væk fra skarpe genstande.



**ADVARSEL:** Sørg altid for, at ventilationsåbningerne holdes fri for afklippede materialer.

## 11. VEDLIGEHOLDELSE OG BEHANDLING



**ADVARSEL:** Inden udførsel af nogen form for vedligeholdelse eller rengøring, skal stikket altid tages ud af stikkontakten!

Sprøjt ikke vand på enheden. Trænger der vand ind i maskinen kan det ødelægge kontakt-stik-kombinationsenheden og den elektriske motor. Rengør enheden med en klud, børste osv.

**Der behøves eftersyn fra en ekspert, så du skal ikke selv foretage nogen justeringer, men i stedet kontakte et autoriseret Makita-servicecenter:**

- hvis plæneklipperen støder mod en genstand.
- hvis motoren pludselig stopper.
- hvis kniven er bøjet (du skal ikke rette den ud!).
- hvis motorakslen er bøjet (du skal ikke rette den ud!).
- hvis der opstår en kortslutning, når kablet tilsluttes.
- Hvis gearene er beskadiget.
- Hvis V-remmen er defekt.

## 12. FEJLFINDING



**ADVARSEL:** Inden udførsel af nogen form for vedligeholdelse eller rengøring, skal stikket altid tages ud af stikkontakten, og du skal vente til kniven står stille.

Fejl	Afhjælpning
Motoren kører ikke	Kontroller tilslutningskablet til stikkontakten. Start på kort græs eller på et sted, hvor græsset allerede er blevet klippet. Rens udkastningskanalen/-huset-den bevægelige kniv skal kunne dreje frit. Korriger klippehøjden.
Motoreffekten falder	Korriger klippehøjden. Rens udkastningskanalen/-huset. Få plæneklipperens kniv slebet/udskiftet → autoriseret servicecenter.
Græsopsamleren fyldes ikke	Korriger klippehøjden. Lad plænen tørre først. Få plæneklipperens kniv slebet/udskiftet → autoriseret servicecenter. Rens glitteret på græsopsamleren. Rens udkastningskanalen/-huset.
Hjultrækket fungerer ikke	Juster flexkablet. Kontroller V-remmen/gearene → autoriseret servicecenter. Kontroller drivhjulene for skader.



**FORSIGTIG:** Fejl, som ikke kan udbedres vha. denne tabel, kan muligvis kun udbedres af et autoriseret Makita-servicecenter.

## 13. MILJØVENLIG BORTSKAFFELSE



I henhold til EU-direktivet 2002/96/EF for elektriske og elektroniske produkter og dets implementering i national lovgivning skal alt elektrisk værktøj indsamles separat og genanvendes på miljøvenlig vis. Alternativ bortskaffelse: Hvis ejeren af el-værktøjet ikke

returnerer værktøjet til producenten, er han ansvarlig for korrekt bortskaffelse på en designeret opsamlingsplads, der klargør apparatet til genbrug i henhold til nationale love og bestemmelser for genbrug.

Dette inkluderer ikke tilbehør og værktøjer uden elektriske eller elektroniske komponenter.

### **Kun for lande i Europa**

#### **EF-overensstemmelseserklæring**

**Vi, Makita Corporation, erklærer som ansvarlig producent at følgende Makita-maskine(r):**

Maskinens betegnelse: Plæneklipper

Modelnummer/type: ELM3311, ELM3711

Specifikationer: Se "4. TEKNISKE DATA" er en produktionsserie og

#### **Overholder følgende europæiske direktiver:**

2004/108/EF, 2006/42/EF, 2000/14/EF og 2005/88/EF, 2006/95/EF

Og er produceret i overensstemmelse med følgende standarder eller standardiserede dokumenter:

EN 60335, EN 62233, EN 55014, EN 61000

Den tekniske dokumentation findes hos:

Makita International Europe Ltd.,  
Michigan Drive, Tongwell,  
Milton Keynes, MK15 8JD, England

Den konformitetsvurderingsprocedure, der kræves af Direktiv 2000/14/EF, blev udført i henhold til appendiks VI.

Underrettet organ:

TÜV SÜD Industrie Service GmbH  
Westendstraße 199, D-80686 München  
Identifikationsnummer: 0036

Model: ELM3311

Målt lydeffektniveau: 87,7 dB (A)  
Garanteret lydeffektniveau: 96 dB (A)

Model: ELM3711

Målt lydeffektniveau: 91,0 dB (A)  
Garanteret lydeffektniveau: 96 dB (A)

30. 11. 2012

Tomoyasu Kato  
Direktør

Makita Corporation  
3-11-8, Sumiyoshi-cho,  
Anjo, Aichi, 446-8502, JAPAN

Περιγραφή γενικής όψης

- |                         |                          |                                |
|-------------------------|--------------------------|--------------------------------|
| 1. Πάνω τμήμα χερουλιού | 9. Μπροστινός τροχός     | 17. Κάλυμμα μπροστινού τροχού  |
| 2. Κουτί διακόπτη       | 10. Κάλυμμα κινητήρα     | 18. Μπροστινός τροχός          |
| 3. Κουμπί ασφαλείας     | 11. Κάτω τμήμα χερουλιού | 19. Στήριγμα μπροστινού τροχού |
| 4. Μοχλός ασφάλισης     | 12. Γάντζος καλωδίου     | 20. Πίσω κάλυμμα               |
| 5. Σφικτήρας καλωδίου   | 13. Λαβή διακόπτη        | 21. Δείκτης στάθμης            |
| 6. Συλλογέας γρασιδιού  | 14. Κάλυμμα πίσω τροχού  | 22. Ενδεικτικός φωτισμός       |
| 7. Πίσω τροχός          | 15. Πίσω τροχός          |                                |
| 8. Κάτω δίσκος          | 16. Στήριγμα πίσω τροχού |                                |

**ΓΝΩΡΙΣΤΕ ΤΟ ΧΛΟΟΚΟΠΤΙΚΟ ΣΑΣ**

Διαβάστε προσεκτικά αυτό το εγχειρίδιο και τηρήστε προσεκτικά τις συνιστώμενες οδηγίες ασφαλείας πριν, κατά τη διάρκεια και μετά το τέλος της χρήσης του χλοοκοπτικού σας. Τηρώντας αυτές τις οδηγίες θα διατηρήσετε το χλοοκοπτικό σας σε μια καλή κατάσταση λειτουργίας. Εξοικειωθείτε με τα χειριστήρια του χλοοκοπτικού σας πριν επιχειρήσετε να το λειτουργήσετε, αλλά πάνω από όλα, να είστε σίγουροι ότι γνωρίζετε πως να σταματήσετε το χλοοκοπτικό σας σε περίπτωση έκτακτης ανάγκης. Διατηρήστε αυτό το εγχειρίδιο χρήστη και όλα τα άλλα έντυπα μαζί με το χλοοκοπτικό σας για μελλοντική αναφορά.

**1. ΣΥΜΒΟΛΑ ΠΟΥ ΕΙΝΑΙ ΤΥΠΩΜΕΝΑ ΠΑΝΩ ΣΤΟ ΠΡΟΪΟΝ**

Διαβάστε αυτό το βιβλίο οδηγιών προσεκτικά πριν χρησιμοποιήσετε το χλοοκοπτικό και διατηρήστε το σε ένα ασφαλές μέρος για μελλοντική αναφορά.



Κρατήστε μακριά τους παρευρισκόμενους.



Προσέξτε τις κοφτερές λάμες.



Αφαιρέστε το βύσμα από το μηχάνημα πριν από τις εργασίες συντήρησης ή εάν πάθει ζημιά το καλώδιο.



**ΠΡΟΕΙΔΟΠΟΙΗΤΙΚΟ ΣΥΜΒΟΛΟ ΑΣΦΑΛΕΙΑΣ:** Υποδηλώνει προσοχή ή προειδοποίηση και μπορεί να χρησιμοποιηθεί σε συνδυασμό με άλλα σύμβολα ή εικόνες.

**ΔΙΠΛΑ ΜΟΝΩΜΕΝΟ**

Το χλοοκοπτικό σας είναι διπλά μονωμένο.

Αυτό σημαίνει ότι όλα τα εξωτερικά μέρη είναι ηλεκτρικά μονωμένα από την παροχή ρεύματος. Αυτό έχει επιτευχθεί με την τοποθέτηση μιας επιπλέον μόνωσης μεταξύ των ηλεκτρικών και μηχανικών μερών.

**2. ΓΕΝΙΚΟΙ ΚΑΝΟΝΕΣ ΑΣΦΑΛΕΙΑΣ**

Ο σκοπός αυτών των κανόνων ασφαλείας είναι να σας επιστήσουν την προσοχή για τους πιθανούς κινδύνους. Πρέπει να δώσετε μεγάλη προσοχή και να κατανοήσετε τα σύμβολα ασφαλείας καθώς και τις επεξηγήσεις που παρέχονται με αυτά. Οι προειδοποιήσεις ασφαλείας δεν εξαλείφουν από μόνες τους κινδύνους. Οι οδηγίες και οι προειδοποιήσεις που παρέχουν δεν αποτελούν υποκατάστατα των κατάλληλων μέτρων αποτροπής ατυχημάτων.



**ΠΡΟΕΙΔΟΠΟΙΗΣΗ:** Η μη συμμόρφωση με την οδηγία ασφαλείας μπορεί να προκαλέσει το σοβαρό τραυματισμό του εαυτού σας ή των άλλων. Πάντοτε να ακολουθείτε τις προφυλάξεις ασφαλείας για να ελαττωθεί ο κίνδυνος πυρκαγιάς, ηλεκτροπληξίας και προσωπικού τραυματισμού. Φυλάξτε το εγχειρίδιο ιδιοκτητή και διαβάστε το συχνά για τη συνεχιζόμενη ασφαλή λειτουργία και την καθοδήγηση άλλων που μπορούν να χρησιμοποιούν αυτό το εργαλείο.



**ΠΡΟΕΙΔΟΠΟΙΗΣΗ:** Το μηχάνημα αυτό παράγει ένα ηλεκτρομαγνητικό πεδίο κατά τη λειτουργία. Το πεδίο αυτό, υπό ορισμένες συνθήκες, μπορεί να προκαλέσει παρεμβολή σε ενεργά ή παθητικά εμφυτεύματα. Για την μείωση του κινδύνου του σοβαρού ή του θανατηφόρου τραυματισμού, συνιστούμε στα άτομα με ιατρικά εμφυτεύματα να συμβουλευτούν τον ιατρό τους και τον κατασκευαστή του ιατρικού εμφυτεύματος πριν από τον χειρισμό αυτού του μηχανήματος.



**ΠΡΟΕΙΔΟΠΟΙΗΣΗ:** Η λειτουργία του κάθε εργαλείου μπορεί να οδηγήσει στον εκσφενδονισμό ξένων αντικείμενων προς τα μάτια σας, ο οποίος μπορεί να οδηγήσει σε σοβαρή βλάβη στα μάτια. Πριν αρχίσετε τη λειτουργία του ηλεκτρικού εργαλείου, να φοράτε πάντα προστατευτικά γυαλιά ή γυαλιά με πλαϊνό προστατευτικό



και ένα πλήρες προστατευτικό προσώπου όταν είναι απαραίτητο. Σας συνιστάμε να χρησιμοποιείτε μια Προσωπίδα Ασφαλείας Ευρείας Όρασης πάνω από τα γυαλιά ή από τα γυαλιά με πλαινό προστατευτικό.

- 1) Διαβάστε προσεκτικά τις οδηγίες. Εξοικειωθείτε με τα χειριστήρια και την σωστή χρήση του μηχανήματος.
- 2) Ποτέ μην επιτρέψετε την χρήση του χλοοκοπτικού από παιδιά ή από άτομα που δεν γνωρίζουν αυτές τις οδηγίες. Μπορεί να υπάρξει περιορισμός όσον αφορά την ηλικία του χρήστη από την τοπική νομοθεσία.
- 3) Ποτέ να μην κόβετε το γρασίδι όταν βρίσκονται κοντά άλλα άτομα, ιδιαίτερα παιδιά ή κατοικίδια ζώα.
- 4) Έχετε κατά νου ότι ο χρήστης ή ο χειριστής είναι υπεύθυνος για τα ατυχήματα ή τους κινδύνους που προκαλούνται στα άλλα άτομα ή στην ιδιοκτησία τους.
- 5) Κατά την κοπή του γρασιδιού πάντοτε να φοράτε ενισχυμένα παπούτσια και μακριά παντελόνια. Μην χειρίζεστε τη συσκευή όταν δεν φοράτε παπούτσια ή όταν φοράτε ανοικτά πέδιλα.
- 6) Επιθεωρήστε σχολαστικά την περιοχή στην οποία θα χρησιμοποιηθεί η συσκευή και απομακρύνετε όλα τα αντικείμενα τα οποία μπορούν να εκσφενδονιστούν από το μηχάνημα.
- 7) Πριν από την χρήση, πάντοτε να κάνετε μια οπτική επιθεώρηση για να δείτε ότι δεν έχουν φθαρεί ή έχουν πάθει βλάβη οι λάμες, τα μπουλόνια των λαμνών και το συγκρότημα του κόφτη. Αντικαταστήστε ταυτόχρονα όλες τις λάμες και τα μπουλόνια που έχουν υποστεί φθορά ή ζημιά για να διατηρήσετε την ζυγοστάθμιση.
- 8) Να κόβετε το γρασίδι μόνο κατά τη διάρκεια της ημέρας ή όταν υπάρχει επαρκής τεχνητός φωτισμός.
- 9) Όπου είναι εφικτό, αποφεύγετε να χρησιμοποιείτε την συσκευή σε υγρό γρασίδι.
- 10) Πάντοτε να κρατάτε καλό βηματισμό στις πλαγιές.
- 11) Περπατάτε, ποτέ να μην τρέχετε.
- 12) Με τα τροχοφόρα περιστροφικά μηχανήματα, κόβετε το γρασίδι κατά πλάτος των επικλινών εδαφών, ποτέ πάνω και κάτω.
- 13) Να δίνετε μεγάλη προσοχή κατά την αλλαγή διεύθυνσης σε επικλινή εδάφη.
- 14) Μην κόβετε γρασίδι σε εδάφη με υπερβολικά μεγάλη κλίση.
- 15) Δώστε μεγάλη προσοχή όταν κάνετε αναστροφή ή όταν τραβάτε το χλοοκοπτικό προς το μέρος σας.
- 16) Σταματήστε τη λάμα εάν το χλοοκοπτικό πρόκειται να ανυψωθεί για να μεταφερθεί πάνω από επιφάνειες στις οποίες δεν υπάρχει γρασίδι, καθώς επίσης και κατά την μετακίνηση του χλοοκοπτικού από και προς την περιοχή στην οποία θα κοπεί το γρασίδι.
- 17) Ποτέ να μην λειτουργείτε το χλοοκοπτικό με ελαττωματικούς ασφαλιστικούς μηχανισμούς ή χωρίς να είναι τοποθετημένες οι συσκευές ασφαλείας, για παράδειγμα οι εκτροπείς και/ή οι συλλέκτες γρασιδιού.
- 18) Ξεκινήστε ή ενεργοποιήστε τον κινητήρα με προσοχή σύμφωνα με τις οδηγίες και με τα πόδια σας αρκετά μακριά από τις λάμες.
- 19) Μην δίνετε κλίση στο χλοοκοπτικό κατά την ενεργοποίηση του κινητήρα, εκτός και αν το χλοοκοπτικό πρέπει να πάρει κλίση για να ξεκινήσει. Σε αυτή την περίπτωση, μην δίνετε μεγαλύτερη κλίση από αυτή που είναι απολύτως απαραίτητη και ανυψώστε μόνο το τμήμα που βρίσκεται μακριά από το χειριστή.

- 20) Μην ξεκινάτε τον κινητήρα όταν στέκεστε μπροστά από το στόμιο εκφόρτισης.
- 21) Μην βάλτε τα χέρια σας ή τα πόδια σας κοντά ή κάτω από τα περιστρεφόμενα μέρη. Κρατηθείτε πάντοτε μακριά από τα στόμια εκφόρτισης.
- 22) Ποτέ να μην σηκώσετε ή μεταφέρετε το χλοοκοπτικό όταν λειτουργεί ο κινητήρας.
- 23) Σταματήστε τον κινητήρα και αποσυνδέστε το βύσμα:
  - πριν από τα ζεμπλοκαρίσματα ή από τον καθαρισμό του στομίου,
  - πριν από τον έλεγχο, τον καθαρισμό ή την εκτέλεση εργασιών πάνω στο χλοοκοπτικό,
  - μετά από το κτύπημα ενός ξένου αντικειμένου. Επιθεωρήστε το χλοοκοπτικό για την ύπαρξη ζημιών και πραγματοποιήστε τις επιδιορθώσεις πριν την επανεκκίνηση και τη χρήση του,
  - εάν το χλοοκοπτικό αρχίζει να δονείται με μη φυσιολογικό τρόπο (επιθεωρήστε αμέσως).
- 24) Σταματήστε το χλοοκοπτικό:
  - όποτε αφήνετε μόνο του το χλοοκοπτικό.
- 25) Διατηρήστε όλα τα παξιμάδια, τα μπουλόνια και τις βίδες σφικτά για να εξασφαλίσετε ότι η συσκευή βρίσκεται σε ασφαλή κατάσταση λειτουργίας.
- 26) Ελέγχετε τακτικά το συλλογέα γρασιδιού για την ύπαρξη φθοράς ή επιδείνωσης της λειτουργίας.
- 27) Για ασφάλεια αντικαθιστάτε τα φθαρμένα ή κατεστραμμένα εξαρτήματα.
- 28) Μην χρησιμοποιήσετε το χλοοκοπτικό εάν τα καλώδια είναι φθαρμένα ή κατεστραμμένα.
- 29) Μην συνδέσετε ένα φθαρμένο καλώδιο στην παροχή ρεύματος ή αγγίξετε το φθαρμένο καλώδιο πριν το αποσυνδέσετε από την παροχή ρεύματος. Ένα φθαρμένο καλώδιο μπορεί να προκαλέσει την επαφή με ηλεκτροφόρα μέρη.
- 30) Μην αγγίξετε τη λάμα πριν αποσυνδεθεί το μηχάνημα από την παροχή ρεύματος και πριν η λάμα σταματήσει εντελώς.
- 31) Διατηρήστε τα καλώδια προέκτασης μακριά από τη λάμα. Η λάμα μπορεί να προκαλέσει φθορά στα καλώδια και να οδηγήσει στην επαφή με ηλεκτροφόρα μέρη.
- 32) Αποσυνδέστε την παροχή ρεύματος (δηλ. τραβήξτε το βύσμα από την πρίζα):
  - όποτε αφήνετε την συσκευή χωρίς επίβλεψη,
  - πριν από το ζεμπλοκάρισμα,
  - πριν από τον έλεγχο, την συντήρηση ή την εκτέλεση εργασιών πάνω στο μηχάνημα,
  - μετά από το κτύπημα ενός ξένου αντικειμένου,
  - όποτε το μηχάνημα αρχίζει να πάτετε με αφύσικο τρόπο.
- 33) Τα παιδιά θα πρέπει να εποπτεύονται ώστε να διασφαλιστεί ότι δεν παίζουν με τη συσκευή.
- 34) Αυτή η συσκευή δεν προορίζεται για χρήση από πρόσωπα (συμπεριλαμβανομένων των παιδιών) που παρουσιάζουν ελαττωμένες φυσικές, αισθητήριες ή διανοητικές ικανότητες ή δεν διαθέτουν εμπειρία και γνώσεις, εκτός και αν τους παρασχεθεί εποπτεία ή οδηγίες σχετικά με τη χρήση της συσκευής από ένα πρόσωπο που είναι υπεύθυνο για την ασφάλειά τους.
- 35) Εάν το καλώδιο παροχής ρεύματος έχει φθαρεί, θα πρέπει να αντικατασταθεί με ένα ειδικό καλώδιο ή συγκρότημα που είναι διαθέσιμο από τον κατασκευαστή ή τον αντιπρόσωπο του σέρβις.

- 36) Οδηγίες για την ασφαλή λειτουργία της συσκευής, συμπεριλαμβανομένης της σύστασης ότι στη συσκευή θα πρέπει να τροφοδοτείται με ρεύμα μέσω μιας διάταξης προστασίας ρεύματος διαρροής (RCD), με ρεύμα απελευθέρωσης που δεν υπερβαίνει τα 30 mA.
- 37) Να είστε προσεκτικοί κατά τη ρύθμιση του μηχανήματος για την αποφυγή παγίδευσης των δακτύλων ανάμεσα στις κινούμενες λάμες και στα σταθερά τμήματα του μηχανήματος.
- 38) Πάντοτε να αφήνετε το μηχάνημα να κρυώσει πριν την αποθήκευση.
- 39) Κατά τη συντήρηση των λαμών να γνωρίζετε ότι ακόμη και αν είναι απενεργοποιημένη η πηγή ρεύματος, οι λάμες μπορούν ακόμη να κινηθούν.
- 40) Αντικαταστήστε τα φθαρμένα ή κατεστραμμένα μέρη για την ασφάλεια. Χρησιμοποιείτε μόνο γνήσια ανταλλακτικά και αξεσουάρ.
- 41) Να είστε προσεκτικοί κατά τη ρύθμιση του μηχανήματος για την αποφυγή παγίδευσης των

- δακτύλων ανάμεσα στις κινούμενες λάμες και στα σταθερά τμήματα του μηχανήματος.
- 42) Πριν από τη χρήση, ελέγξτε το καλώδιο παροχής και το καλώδιο προέκτασης για ύπαρξη σημαδιών βλάβης ή φθοράς. Εάν το καλώδιο καταστραφεί κατά τη χρήση, αποσυνδέστε το αμέσως από την παροχή ρεύματος. ΜΗΝ ΑΓΓΙΞΕΤΕ ΤΟ ΚΑΛΩΔΙΟ ΠΡΙΝ ΤΗΝ ΑΠΟΣΥΝΔΕΣΗ ΑΠΟ ΤΗΝ ΠΑΡΟΧΗ ΡΕΥΜΑΤΟΣ. Μην χρησιμοποιήσετε τη συσκευή εάν το καλώδιο είναι φθαρμένο ή κατεστραμμένο.
- 43) Εάν το καλώδιο παροχής ρεύματος έχει φθαρεί, θα πρέπει να αντικατασταθεί από τον κατασκευαστή, τον αντιπρόσωπο του σέρβις ή από ένα παρόμοιο εξειδικευμένο τεχνικό ώστε να αποφευχθεί ο οποιοσδήποτε κίνδυνος.

### 3. ΠΕΡΙΓΡΑΦΗ ΕΞΑΡΤΗΜΑΤΩΝ (Εικ. 1)

## 4. ΤΕΧΝΙΚΑ ΔΕΔΟΜΕΝΑ

Μοντέλο:	ELM3311	ELM3711
Όνομαστική τιμή τάσης:	230 V~	230 V~
Όνομαστική συχνότητα:	50 Hz	50 Hz
Όνομαστική ισχύς:	1.100 W	1.300 W
Ταχύτητα χωρίς φορτίο:	2.900/min	2.900/min
Πλάτος κοπής:	330 mm	370 mm
Εγγυημένο επίπεδο ηχητικής ισχύος:	96 dB (A)	96 dB (A)
$L_{pA}$ (SPL) στη πλευρά του χρήστη:	75,4 dB (A), K=3 dB (A)	77,6 dB (A), K=3 dB (A)
Εγγυημένο επίπεδο δόνησης:	0,672 m/s <sup>2</sup> , K=1,5 m/s <sup>2</sup>	0,917 m/s <sup>2</sup> , K=1,5 m/s <sup>2</sup>
Χωρητικότητα συλλογέα γρασιδιού:	27 L	35 L
Καθαρό βάρος:	13,1 kg	14,9 kg
Βαθμός προστασίας έναντι σε υγρό:	IP24	IP24
Ρύθμιση ύψους:	20/40/55 mm, 3 ρύθμιση	20/40/55 mm, 3 ρύθμιση

## 5. ΣΥΝΑΡΜΟΛΟΓΗΣΗ

### 5-1 ΣΥΝΑΡΜΟΛΟΓΗΣΗ ΤΡΟΧΟΥ

Τοποθετήστε τους άξονες των καλυμμάτων του μπροστινού και του πίσω τροχού και στη συνέχεια βιδώστε μέσα στα στηρίγματα των τροχών. (Εικ. 2)



**ΠΡΟΕΙΔΟΠΟΙΗΣΗ:** Όλοι οι τροχοί πρέπει να βρίσκονται στο ίδιο ύψος.

### 5-2 ΣΥΝΑΡΜΟΛΟΓΗΣΗ ΤΟΥ ΑΝΑΔΙΠΛΟΥΜΕΝΟΥ ΧΕΡΟΥΛΙΟΥ

- A) Τοποθετήστε τις κάτω ράβδους οδήγησης στις σταθερές τρύπες του κάτω δίσκου και στη συνέχεια στερεώστε με τις παρεχόμενες βίδες με ένα καταβιδί. (Εικ. 3, Εικ. 4, Εικ. 5)
- B) Συνδέστε το πάνω τμήμα χερουλιού και το κάτω τμήμα χερουλιού με τον σφιγκτήρα του καλωδίου έτσι ώστε το καλώδιο να είναι στερεωμένο στο

εξωτερικό του χερουλιού. Σε αντίθετη περίπτωση το καλώδιο μπορεί να τρυπηθεί από το άνοιγμα/κλείσιμο του πίσω καλύμματος. (Εικ. 8)

### 5-3 ΣΥΝΑΡΜΟΛΟΓΗΣΗ ΤΟΥ ΣΥΛΛΟΓΕΑ ΓΡΑΣΙΔΙΟΥ

- Για την τοποθέτηση: Ανυψώστε το πίσω κάλυμμα και συνδέστε το συλλογέα γρασιδιού στο πίσω μέρος του χλοοκοπτικού. (Εικ. 9, Εικ. 10, Εικ. 11)
- Για την αφαίρεση: Πιάστε και ανυψώστε το πίσω κάλυμμα, αφαιρέστε το συλλογέα γρασιδιού. Υπάρχει ένας δείκτης στάθμης στην κορυφή του συλλογέα γρασιδιού που δείχνει αν ο συλλογέας είναι άδειος ή γεμάτος (Εικ. 12A, Εικ. 12B):
  - Ο δείκτης στάθμης φουσκώνει αν ο συλλογέας δεν είναι πλήρης κατά το κόψιμο γρασιδιού. (Εικ. 12B)
  - Αν ο συλλογέας είναι πλήρης ο δείκτης συμπύσσεται. Όταν συμβεί αυτό, σταματήστε αμέσως το κόψιμο γρασιδιού και αδειάστε το συλλογέα, βεβαιωθείτε ότι είναι καθαρός και διασφαλίστε ότι αερίζεται το πλέγμα του. (Εικ. 12A)

## ΠΡΟΣΟΧΗ

Εάν το σημείο του ανοίγματος του δείκτη είναι πολύ βρώμικο, ο δείκτης δεν θα φουσκώσει. Στην περίπτωση αυτή, καθαρίστε αμέσως το σημείο του ανοίγματος του δείκτη.

## 6. ΡΥΘΜΙΣΗ ΤΟΥ ΥΨΟΥΣ ΚΟΠΗΣ

Το ύψος κοπής ρυθμίζεται μέσω της σύνδεσης των τροχών στην απαιτούμενη τρύπα.

Όλοι οι τροχοί πρέπει να βρίσκονται στο ίδιο ύψος.

Το ύψος (η λάμα στο έδαφος) μπορεί να ρυθμιστεί από τα

20 mm έως τα 55 mm (3 θέσεις ύψους). **(Εικ. 13)**

Η χαμηλότερη ρύθμιση: 20 mm (θέση (1)), η μεσαία

ρύθμιση: 40 mm (θέση (2)), η υψηλότερη ρύθμιση: 55 mm

(θέση (3)).



**ΠΡΟΕΙΔΟΠΟΙΗΣΗ:** Αποσυνδέστε το ηλεκτρικό καλώδιο από την παροχή ρεύματος.



**ΠΡΟΕΙΔΟΠΟΙΗΣΗ:** Η ρύθμιση αυτή πρέπει να γίνεται μόνο όταν η λάμα είναι σταματημένη.

## 7. ΜΕΤΡΑ ΑΣΦΑΛΕΙΑΣ

- Το μηχάνημα πρέπει να λειτουργεί πάντοτε με τον εκτροπή ή τον συλλογέα γρασιδιού στην σωστή θέση.
- Πάντοτε να σταματάτε τον κινητήρα πριν την αφαίρεση του συλλογέα γρασιδιού ή την ρύθμιση του ύψος της θέσης κοπής.
- Πριν από την κοπή του γρασιδιού, αφαιρέστε όλα τα ξένα αντικείμενα από το γρασίδι τα οποία μπορούν να εκσφενδονιστούν από το μηχάνημα. Κατά την κοπή γρασιδιού, να είστε σε εγρήγορη για την ύπαρξη ξένων αντικειμένων που δεν είχατε προσέξει. **(Εικ. 14)**
- Ποτέ να μην ανυψώνετε το πίσω μέρος του χλοοκοπτικού κατά την εκκίνηση του κινητήρα ή κατά την διάρκεια της κανονικής λειτουργίας. **(Εικ. 15)**
- Ποτέ να μην βάζετε τα χέρια σας ή να ψηλαφίζετε κάτω από τον κάτω δίσκο ή μέσα στο πίσω μέρος του στομίου εκφόρτισης κατά τη διάρκεια της λειτουργίας του κινητήρα. **(Εικ. 16)**

## 8. ΞΕΚΙΝΗΜΑ

Πριν από την σύνδεση του χλοοκοπτικού στην παροχή ρεύματος, βεβαιωθείτε ότι η τάση του ρεύματος είναι 230 V ~ 50 Hz.

Πριν από την εκκίνηση του χλοοκοπτικού, στερεώστε το καλώδιο προέκτασης στο γάντζο καλωδίου. **(Εικ. 17)**

Όταν το χλοοκοπτικό βρίσκεται σε λειτουργία, ο ενδεικτικός φωτισμός θα ανάψει. **(Εικ. 18)**

Ξεκινήστε το μοτέρ σύμφωνα με τα παρακάτω. **(Εικ. 19)**

- Πατήστε το κουμπί ασφαλείας (1).
- Και στο μεταξύ, τραβήξτε τη λαβή διακόπτη (2), και διατηρήστε την κρατημένη.

Σπρώξτε το χλοοκοπτικό με τα χέρια όταν ο κινητήρας λειτουργεί.

Αν αφήσετε τη λαβή διακόπτη, ο κινητήρας θα σταματήσει.



**ΠΡΟΣΟΧΗ:** Η λάμα αρχίζει να περιστρέφεται μόλις ξεκινήσει ο κινητήρας.



**ΠΡΟΕΙΔΟΠΟΙΗΣΗ:** Τα στοιχεία κοπής συνεχίζουν να περιστρέφονται μετά την απενεργοποίηση του κινητήρα.

## 9. ΛΑΜΑ

Η λάμα είναι φτιαγμένη από πιεσμένο ασάλι. Θα είναι απαραίτητο να την αναδιαμορφώνετε συχνά (με ένα τροχό για τρύχιση).

Διασφαλίστε ότι πάντοτε είναι ισορροπημένη (μια λάμα που δεν διαθέτει ισορροπία θα προκαλέσει επικίνδυνες δονήσεις). Για να ελέγξετε την ισορροπία, εισάγετε μια στρογγυλή ράβδο μέσα από την κεντρική τρύπα και στηρίξτε οριζόντια την λάμα. **(Εικ. 20)** Μια ισορροπημένη λάμα θα παραμείνει οριζόντια. Εάν η λάμα δεν είναι ισορροπημένη το βαρύ άκρο θα περιστραφεί προς τα κάτω. Αναδιαμορφώστε το βαρύ άκρο έως ότου η λάμα να αποκτήσει την ισορροπία της. **(Εικ. 21)** Για να αφαιρέσετε τη λάμα (2), ξεβιδώστε τη βίδα της λάμας (3). **(Εικ. 22, Εικ. 23, Εικ. 24)**

Ελέγξτε τις συνθήκες του ανεμιστήρα (1) και αντικαταστήστε όλα τα μέρη που έχουν πάθει ζημιά. **(Εικ. 22)**

Κατά την επανασυναρμολόγηση, διασφαλίστε ότι τα άκρα κοπής είναι προσανατολισμένα προς την διεύθυνση περιστροφής του κινητήρα. Η βίδα της λάμας (3) πρέπει να σφίξει με ροπή 20-25 Nm.



**ΠΡΟΕΙΔΟΠΟΙΗΣΗ:** Για το σέρβις, αντικαταστήστε τη λάμα με: MAKITA 263001422 (για ELM3311) και MAKITA 263001414 (για ELM3711) μόνο.

## 10. ΚΑΛΩΔΙΑ ΠΡΟΕΚΤΑΣΗΣ

Θα πρέπει να χρησιμοποιείτε τα καλώδια προέκτασης μόνο για την εξωτερική, συνηθισμένη χρήση με εγκάρσια επιφάνεια όχι μικρότερη από τα 1,0 mm<sup>2</sup>.

Πριν από τη χρήση, ελέγξτε το καλώδιο παροχής ρεύματος και το καλώδιο προέκτασης για την ύπαρξη σημάδιων φθοράς κατά την χρήση, αποσυνδέστε το καλώδιο εάν υπάρχουν σημάδια φθοράς ή παλαιότητας.

Εάν το καλώδιο καταστραφεί κατά τη χρήση, αποσυνδέστε το αμέσως από την παροχή ρεύματος.

**ΜΗΝ ΑΓΓΙΖΕΤΕ ΤΟ ΚΑΛΩΔΙΟ ΠΡΙΝ ΤΗΝ ΑΠΟΣΥΝΔΕΣΗ ΑΠΟ ΤΗΝ ΠΑΡΟΧΗ ΡΕΥΜΑΤΟΣ.** Μην χρησιμοποιήσετε τη συσκευή εάν το καλώδιο είναι φθαρμένο ή κατεστραμμένο. Κρατήστε το καλώδιο προέκτασης μακριά από το στοιχείο κοπής.



**ΠΡΟΕΙΔΟΠΟΙΗΣΗ:** Πάντοτε να διασφαλίσετε ότι οι σπές εξαιρισμού δεν είναι μπλοκαρισμένες από θραύσματα.

## 11. ΣΥΝΤΗΡΗΣΗ ΚΑΙ ΦΡΟΝΤΙΔΑ



**ΠΡΟΕΙΔΟΠΟΙΗΣΗ:** Πριν από την εκτέλεση οποιασδήποτε εργασίας συντήρησης ή καθαρισμού, πάντοτε να βγάξετε το φως από την παροχή ρεύματος! Μην ψεκάζετε τη μονάδα με νερό. Η είσοδο του νερού μπορεί να καταστρέψει την συνδυαστική μονάδα διακόπτη βύσματος και τον ηλεκτρικό κινητήρα. Καθαρίστε τη συσκευή με ένα ύφασμα, μια βούρτσα χειρός, κτλ.

**Απαιτείται η επιθεώρηση από ένα ειδικό, μην κάνετε την οποιαδήποτε ρύθμιση μόνοι σας, πρέπει να επικοινωνήσετε με το εξουσιοδοτημένο κέντρο σέρβις της Makita:**

- Εάν το χλοοκοπτικό χτυπήσει ένα αντικείμενο.
- Εάν ο κινητήρας σταματήσει ξαφνικά.
- Εάν η λάμα καμφθεί (μην την ευθυγραμμίσετε!).
- Εάν καμφθεί ο άξονας του κινητήρα (μην τον ευθυγραμμίσετε!).
- Εάν συμβεί βραχυκύκλωμα όταν συνδεθεί το καλώδιο.
- Εάν πάθουν ζημιά οι ταχύτητες.
- Αν ο ιμάντας σχήματος V είναι ελαττωματικός.

## 12. ΕΠΙΛΥΣΗ ΠΡΟΒΛΗΜΑΤΩΝ



**ΠΡΟΕΙΔΟΠΟΙΗΣΗ:** Πριν από την εκτέλεση οποιασδήποτε εργασίας συντήρησης ή καθαρισμού, πάντοτε να βγάξετε το φως από την παροχή ρεύματος και περιμένετε να σταματήσει ο κόφτης.

Σφάλμα	Επανορθωτική ενέργεια
Ο κινητήρας δεν λειτουργεί	Ελέγξτε το καλώδιο σύνδεσης με το ηλεκτρικό ρεύμα. Ξεκινήστε από κοντό γρασίδι ή από μία περιοχή της οποίας έχει ήδη κοπεί το γρασίδι. Καθαρίστε το κανάλι/κιβώτιο εκφόρτισης- η λάμα κοπής γρασιδιού πρέπει να περιστρέφεται ελεύθερα. Διορθώστε το ύψος κοπής.
Μειώνεται η ισχύς του κινητήρα	Διορθώστε το ύψος κοπής. Καθαρίστε το κανάλι/κιβώτιο εκφόρτισης. Ακονίστε/αντικαταστήστε τη λάμα κοπής γρασιδιού → από ένα εξουσιοδοτημένο κέντρο σέρβις.
Ο συλλογέας γρασιδιού δεν είναι γεμάτος	Διορθώστε το ύψος κοπής. Αφήστε το γρασίδι να ξεραθεί. Ακονίστε/αντικαταστήστε τη λάμα κοπής γρασιδιού → από ένα εξουσιοδοτημένο κέντρο σέρβις. Καθαρίστε τη γρίλια του συλλογέα γρασιδιού. Καθαρίστε το κανάλι/κιβώτιο εκφόρτισης.
Δεν λειτουργεί η μετάδοση κίνησης του τροχού	Ρυθμίστε το εύκαμπτο καλώδιο. Ελέγξτε τον ιμάντα σχήματος V/ ταχύτητες → από ένα εξουσιοδοτημένο κέντρο σέρβις. Ελέγξτε τους τροχούς μετάδοσης κίνησης για ύπαρξη ζημιάς.



**ΠΡΟΣΟΧΗ:** Τα σφάλματα τα οποία δεν μπορούν να διορθωθούν με τη βοήθεια αυτού του πίνακα, μπορούν να διορθωθούν μόνο από ένα εξουσιοδοτημένο κέντρο σέρβις της Makita.

## 13. ΑΠΟΡΡΙΨΗ ΦΙΛΙΚΗ ΠΡΟΣ ΤΟ ΠΕΡΙΒΑΛΛΟΝ



Σύμφωνα με την οδηγία της Ευρωπαϊκής Ένωσης 2002/96/ΕΚ που αφορά τις ηλεκτρικές και τις ηλεκτρονικές συσκευές και την εφαρμογή της στην εθνική νομοθεσία, όλα τα ηλεκτρικά εργαλεία πρέπει να συλλέγονται ξεχωριστά και να ανακυκλώνονται με τρόπο φιλικό προς το περιβάλλον. Εναλλακτική απόρριψη: Εάν ο ιδιοκτήτης του ηλεκτρικού εργαλείου δεν επιστρέψει το εργαλείο στον κατασκευαστή, είναι υπεύθυνος για την ορθή διάθεση σε ένα καθορισμένο σημείο συλλογής που θα προετοιμάσει τη συσκευή για ανακύκλωση σύμφωνα με τους εθνικούς νόμους και κανονισμούς ανακύκλωσης. Η εναλλακτική απόρριψη δεν περιλαμβάνει αξεσουάρ και εργαλεία χωρίς ηλεκτρικά ή ηλεκτρονικά εξαρτήματα.

Για τις ευρωπαϊκές χώρες μόνο

**ΕΚ – Δήλωση συμμόρφωσης**

**Η Εταιρία Makita ως υπεύθυνος κατασκευαστής,**

**δηλώνει ότι το παρακάτω μηχάνημα(-τα) της Makita:**

Όνομασία μηχανήματος: Χλοοκοπτικό

Αρ. Μοντέλου/Τύπος: ELM3311, ELM3711

Προδιαγραφές: Δείτε το "4. ΤΕΧΝΙΚΑ ΔΕΔΟΜΕΝΑ"

αποτελούν παραγωγή σε σειρά και

**Συμμορφώνονται με την ακόλουθη Ευρωπαϊκή Οδηγία:**

2004/108/ΕΚ, 2006/42/ΕΚ, 2000/14/ΕΚ & 2005/88/ΕΚ, 2006/95/ΕΚ

Και κατασκευάζονται σύμφωνα με τα παρακάτω πρότυπα ή τυποποιημένα έγγραφα:

EN 60335, EN 62233, EN 55014, EN 61000

Τα τεχνικά έγγραφα διατηρούνται από την:

Makita International Europe Ltd.,

Michigan Drive, Tongwell,

Milton Keynes, MK15 8JD, England

Η διαδικασία εκτίμησης συμμόρφωσης που απαιτείται από την Οδηγία 2000/14/ΕΚ εκτελέστηκε σύμφωνα με το Παράρτημα VI.

Κοινοποιημένος οργανισμός:

TÜV SÜD Industrie Service GmbH

Westendstraße 199, D-80686 München

Αριθμός αναγνώρισης: 0036

Μοντέλο: ELM3311

Μετρημένο Επίπεδο Ηχητικής Ισχύος: 87,7 dB (A)

Εγγυημένο Επίπεδο Ηχητικής Ισχύος: 96 dB (A)

Μοντέλο: ELM3711

Μετρημένο Επίπεδο Ηχητικής Ισχύος: 91,0 dB (A)

Εγγυημένο Επίπεδο Ηχητικής Ισχύος: 96 dB (A)

30. 11. 2012



Tomoyasu Kato  
Διευθυντής

Makita Corporation  
3-11-8, Sumiyoshi-cho,  
Anjo, Aichi, 446-8502, JAPAN

## Genel görünüm

- |                      |                           |                         |
|----------------------|---------------------------|-------------------------|
| 1. Üst tutma kolu    | 9. Ön tekerlek            | 17. Ön tekerlek kapağı  |
| 2. Anahtar kutusu    | 10. Motor kapağı          | 18. Ön tekerlek         |
| 3. Emniyet düğmesi   | 11. Alt tutma kolu        | 19. Ön tekerlek desteği |
| 4. Kilitleme mandalı | 12. Kablo kancası         | 20. Arka kapak          |
| 5. Kablo kelepçesi   | 13. Çalıştırma kolu       | 21. Seviye göstergesi   |
| 6. Çim haznesi       | 14. Arka tekerlek kapağı  | 22. Gösterge ışığı      |
| 7. Arka tekerlek     | 15. Arka tekerlek         |                         |
| 8. Alt tabla         | 16. Arka tekerlek desteği |                         |

## ÇİM BİÇME MAKİNESİNİZİ TANIYIN

Bu kılavuzu dikkatli bir şekilde okuyun ve çim biçme makinenizi kullanmaya başlamadan önce ve kullanım sırasında ve sonrasında önerilen güvenlik talimatlarına uyun. Bu basit talimatları uygulamanız ayrıca çim biçme makinenizi her zaman çalışır durumda tutar. Çim biçme makinenizi çalıştırmaya başlamadan önce kontroller hakkında bilgi sahibi olun, ancak her şeyden önce herhangi bir acil durumda makineyi nasıl durdurmanız gerektiğini öğrenin. Bu kullanım kılavuzunu ve makinenizle birlikte verilen diğer dokümanları daha sonra başvurmak üzere saklayın.

## 1. ÜRÜN ÜZERİNDEKİ SİMGELER



Çim biçme makinenizi kullanmadan önce bu kullanım kılavuzunu dikkatli bir şekilde okuyun ve daha sonra başvurmak üzere güvenli bir yerde saklayın.



Başkalarının yaklaşmasına izin vermeyin.



Keskin bıçaklar bulunduğuna dikkat edin.



Esnek elektrik kablosunu kesici bıçaklardan uzak tutun.



**GÜVENLİK UYARISI SİMGESİ:** Diğer simgeler veya şekiller ile birlikte kullanılacak dikkat veya uyarı mesajlarını belirtir.

## ÇİFT YALITIMLI



Çim biçme makineniz çift yalıtımlıdır.

Bu da harici tüm parçaların elektriksel olarak güç kaynağından yalıtılmış olduğu anlamına gelir. Bu yalıtım,

elektrikli ve mekanik parçalar arasına ilave bir yalıtım bariyeri yerleştirilerek gerçekleştirilir.

## 2. GENEL GÜVENLİK KURALLARI

Güvenlik kurallarının amacı, dikkatinizi olası tehlikelere çekmektir. Güvenlik simgelerine ve bunlarla birlikte verilen açıklamalara dikkat etmeniz ve bunları anlamanız çok önemlidir. Ancak, güvenlik uyarıları tek başlarına herhangi bir tehlikeyi ortadan kaldırmaz. İlgili talimatlar veya uyarılar uygun kaza önleme tedbirlerinin yerine geçmez.



**UYARI:** Bir güvenlik uyarısına uyulmaması sizin ve başkalarının ciddi şekilde yaralanmasına yol açabilir. Yangın, elektrik çarpması ve yaralanma gibi riskleri azaltmak için güvenlik önlemlerini mutlaka dikkate alın. Güvenli çalıştırmaya devam etmek ve bu makineyi kullanacak diğer kişilere öğretmek için bu kullanım kılavuzunu saklayın ve sıkça gözden geçirin.



**UYARI:** Bu makine, çalışma sırasında bir elektromanyetik alan meydana getirir. Bu alan da bazı koşullarda aktif veya pasif tıbbi implantlara etki edebilmektedir. Ciddi yaralanma ve ölüm riskini azaltmak için, tıbbi implantları olan kişilerin bu makineyi çalıştırmadan önce doktorlarına ve tıbbi implant üreticilerine danışmalarını öneriyoruz.



**UYARI:** Makinenin çalıştırılması sırasında, gözlerinize yabancı maddeler sıçrayabilir ve bunlar ciddi göz yaralanmalarına neden olabilir. Makineyi çalıştırmaya başlamadan önce, mutlaka koruyucu gözlük veya kenarı muhafazalı koruyucu gözlük kullanın ve gerektiğinde tam yüz maskesi takın. Koruyucu gözlüğün veya kenarı siperli koruyucu gözlüğün üzerine Geniş Görüş Açılı Güvenlik Maskesi takmanızı tavsiye ederiz.

- 1) Talimatları dikkatlice okuyun. Kontrolleri ve makinenin güvenli kullanımı hakkında bilgi sahibi olun.
- 2) Çocukların veya bu talimatları bilmeyen kişilerin çim biçme makinesini kullanmasına izin vermeyin. Bazı ülkelerde kullanıcı yaşını sınırlandıran yönetmelikler yürürlükte olabilir.
- 3) Çim biçme makinesini kesinlikle insanların, özellikle de çocukların ve evcil hayvanların yakınında çalıştırmayın.

- 4) Yaralanmalar veya mal kayıplarıyla sonuçlanan kazalardan veya tehlikelerden tek başına operatörün veya kullanıcının sorumlu olacağına dikkat edin.
- 5) Çim biçerken daima sağlam ayakkabılar ve uzun pantolonlar giyin. Makineyi kesinlikle çıplak ayakla veya ayağınızda terlik veya sandalet varken çalıştırmayın.
- 6) Makinenin kullanılacağı alanı dikkatli bir şekilde kontrol edin ve makine tarafından fırlatılabilecek nesnelere dikkatli olun.
- 7) Her kullanımdan önce mutlaka bıçakların, bıçak civatalarının ve kesici tertibatının aşınmamış ve hasarsız olduğundan emin olmak için gerekli kontrolleri gerçekleştirin. Dengeyi korumak için, aşınmış veya hasar görmüş bıçakları ve civataları değiştirin.
- 8) Çim biçme makinesini yalnızca gün ışığında veya iyi bir aydınlatmayla çalıştırın.
- 9) Mümkünse, makineyi ıslak çimlerde kullanmaktan kaçının.
- 10) Eğimlerde mutlaka yere sağlam ve dengeli basın.
- 11) Makineyi yürüterek çalıştırın ve kesinlikle koşmayın.
- 12) Tekerlekli makineler ile eğimli arazide çim biçerken, eğime dik şekilde çalışın, kesinlikle aşağı veya yukarı yürüterek çalışmayın.
- 13) Eğimli arazide çalışma yönünüzü değiştirirken çok dikkatli olun.
- 14) Çim biçme makinesini aşırı derecede dik eğimli arazide kullanmayın.
- 15) Çim biçme makinesinin yönünü değiştirirken veya kendinize doğru çekerken çok dikkatli olun.
- 16) Çim dışındaki alanlardan geçerken çim biçme makinesinin yatırılması gerekiyorsa ve çim biçme makinesinin biçilecek alana veya biçilecek alandan taşınması sırasında bıçağı durdurun.
- 17) Muhafazaları hasarlı veya emniyet cihazları, örneğin deflektörleri ve/veya çim haznelere takılı olmayan çim biçme makinelerini kesinlikle çalıştırmayın.
- 18) Motoru talimatlara uygun olarak dikkatli çalıştırın ve çalıştırmadan önce ayaklarınızın bıçaklardan yeterli uzaklıkta olduğundan emin olun.
- 19) Çim biçme makinesinin çalıştırılması için yatırılmasının gerektiği durumlar hariç, motoru çalıştırdıktan sonra çim biçme makinesini yatırmayın. Böyle bir durumda, makineyi gereğinden fazla yatırmayın ve yalnızca operatörün uzağındaki bölümünü yatırın.
- 20) Deşarj oluşunun önünde duruyorken, motoru çalıştırmayın.
- 21) Ellerinizi ve ayaklarınızı hareketli parçalardan uzak tutun. Deşarj açıklığını her zaman temiz tutun.
- 22) Motor çalışırken, çim biçme makinesini kesinlikle kaldırmayın veya taşımayın.
- 23) Şu durumlarda motoru durdurun ve fişini prizden çekin:
  - tıkanıklıkları veya oluktaki birikmeyi temizlemeye başlamadan önce,
  - çim biçme makinesini kontrol etmeye, temizlemeye veya üzerinde herhangi bir işlem yapmaya başlamadan önce,
  - yabancı bir nesneye çarpıldığında. Aşağıdaki durumlarda çim biçme makinesinde hasar olup olmadığını kontrol edin ve makineyi yeniden başlatmadan ve çalıştırmadan önce gerekli onarımları yaptırın:
    - çim biçme makinesi anormal derecede titreşimli çalışıyorsa (derhal kontrol edin).
- 24) Çim biçme makinesini aşağıdaki durumlarda durdurun:
  - çim biçme makinesinin yanından ayrılacağınızda.
- 25) Makineyi sürekli olarak güvenli ve çalışır durumda tutmak için tüm somunların, civataların ve vidaların sağlam şekilde sıkıldığını kontrol edin.
- 26) Çim haznesinde aşınma veya hasar olup olmadığını sık sık kontrol edin.
- 27) Güvenlik nedeniyle aşınmış veya hasarlı parçaları değiştirin.
- 28) Kablo hasar görmüş veya aşınmış çim biçme makinelerini kullanmayın.
- 29) Hasarlı bir kabloyu güç kaynağına bağlamayın veya güç kaynağı ile bağlantısını kesmeden hasarlı kabloları dokunmayın. Hasarlı bir kablo elektrik çarpmasına yol açabilir.
- 30) Makine ile güç kaynağı arasındaki bağlantı kesilmeden ve bıçak tamamen durmadan kesinlikle bıçağı dokunmayın.
- 31) Uzatma kablolarını bıçaktan uzakta tutun. Bıçak, kabloların hasar görmesine ve neticesinde elektrik çarpmasına yol açabilir.
- 32) Aşağıdaki durumlarda güç beslemesini kesin (yani, fişi prizden çıkartın):
  - makinenin başından ayrılacağınızda,
  - bir tıkanıklığı temizlemeye başlamadan önce,
  - makineyi kontrol etmeye, temizlemeye veya üzerinde herhangi bir işlem yapmaya başlamadan önce,
  - yabancı bir nesneye çarpıldığında ve
  - makine anormal derecede titreşimli çalıştığında.
- 33) Çocuklar, bu makine ile oynamamaları gerektiği konusunda uyarılmalıdır.
- 34) Bu makine, makinenin güvenliğinden sorumlu personelin makinenin kullanımına ilişkin kontrol veya talimatları olmaksızın fiziksel, algısal veya zihinsel yetersizlikleri bulunan ve yeterli deneyime ve bilgiye sahip olmayan kişiler (çocuklar dahil) tarafından kullanılmalıdır.
- 35) Besleme kablosu hasarlıysa, mutlaka üretici veya yetkili temsilcisi tarafından tedarik edilen özel bir kabloyla değiştirilmelidir.
- 36) Makinenin güvenli kullanımına ilişkin talimatlara, makineyle birlikte bir Artık Akım Cihazının (RCD) kullanılması ve bu cihazın devreye girme akımının 30 mA'dan yüksek olmaması yönündeki uyarı da dahildir.
- 37) Makinenin ayarlanması sırasında parmaklarınızı hareketli bıçaklar ile makinenin sabit parçaları arasında sıkıştırmamaya dikkat edin.
- 38) Depoya kaldırmadan önce makinenin mutlaka soğumasını bekleyin.
- 39) Bıçaklarla ilgili servis çalışmaları gerçekleştirirken, güç beslemesi kapalı olsa dahi, bıçakların dönebileceğine dikkat edin.
- 40) Güvenlik nedeniyle aşınmış veya hasarlı parçaları değiştirin. Yalnızca orijinal yedek parçalar ve aksesuarlar kullanın.

- 41) Makinenin ayarlanması sırasında parmaklarınızı hareketli bıçaklar ile makinenin sabit parçaları arasına sıkıştırmamaya dikkat edin.
- 42) Kullanmaya başlamadan önce, ana elektrik ve uzatma kablolarında herhangi bir hasar veya aşınma belirtisi olup olmadığını kontrol edin. Kablonun kullanım sırasında hasar görmesi halinde, kablunun derhal güç kaynağıyla bağlantısını kesin. GÜÇ KAYNAĞI İLE BAĞLANTISINI KESMEDEN ÖNCE KABLOYA

- KESİNLİKLE DOKUNMAYIN. Kablosu hasar görmüş veya aşınmış makineleri kesinlikle kullanmayın.
- 43) Besleme kablosu hasar görürse olası tehlikelerin önlenmesi için mutlaka üretici, yetkili servis veya yetkili başka bir kuruluş tarafından değiştirilmelidir.

### 3. PARÇALARIN TANIMI (Şekil 1)

## 4. TEKNİK BİLGİLER

Model:	ELM3311	ELM3711
Anma gerilimi:	230 V~	230 V~
Anma frekansı:	50 Hz	50 Hz
Anma gücü:	1.100 W	1.300 W
Yüksüz hız:	2.900/dak	2.900/dak
Kesme genişliği:	330 mm	370 mm
Garanti edilen ses gücü düzeyi:	96 dB (A)	96 dB (A)
L <sub>pA</sub> (SPL) (kullanıcı tarafında):	75,4 dB (A), K=3 dB (A)	77,6 dB (A), K=3 dB (A)
Garanti edilen titreşim:	0,672 m/s <sup>2</sup> , K=1,5 m/s <sup>2</sup>	0,917 m/s <sup>2</sup> , K=1,5 m/s <sup>2</sup>
Çim haznesi kapasitesi:	27 L	35 L
Net ağırlık:	13,1 kg	14,9 kg
Sıvılara karşı koruma sınıfı:	IP24	IP24
Yüksek ayarı:	20/40/55 mm, 3 kademeli	20/40/55 mm, 3 kademeli

## 5. MONTAJ

### 5-1 TEKERLEĞİN TAKILMASI

Ön ve arka tekerlek kapağı aksını tekerleğe yerleştirin ve ardından tekerlek desteği deliğine vidalayın. (Şekil 2)



**UYARI:** Tüm tekerlekler mutlaka aynı yükseklikte olmalıdır.

### 5-2 KATLANIR TUTMA KOLUN TAKILMASI

- A) Alt tutma demirlerini alt tabla üzerindeki sabit deliklere sokun ve ardından makineyle birlikte verilen vidayı bir tornavida yardımıyla sıkarak sabitleyin. (Şekil 3, Şekil 4, Şekil 5)
- B) Üst tutma kolunu ve kilitleme mandallı alt tutma kolunu bağlayın. (Şekil 6, Şekil 7)
- C) Kabloyu kol milinin üzerine yerleştirin. Kablo kelepçesi ile alt tutma kolunun orta kısmına gelecek şekilde sabitleyin ve kablunun, tutma kolunun dışına sabitlendiğinden emin olun. Aksi takdirde, kablo, arka kapak açılırken/kapatılırken sıkışabilir. (Şekil 8)

### 5-3 ÇİM HAZNESİNİN TAKILMASI

1. Hazneyi takmak için: Arka kapağı kaldırın ve çim haznesini makinenin arkasına takın. (Şekil 9, Şekil 10, Şekil 11)
2. Hazneyi çıkartmak için: Arka kapağı kaldırın ve çim haznesini çıkartın.

Çim haznesinin üzerinde, haznenin boş veya dolu olduğunu gösteren bir seviye göstergesi mevcuttur (Şekil 12A, Şekil 12B):

- Çim biçilirken hazne dolu değilse seviye göstergesi şişer. (Şekil 12B)
- Hazne dolu olduğunda, gösterge söner. Bu durumda, çim biçme çalışmasını derhal durdurun, hazneyi boşaltın ve haznenin temiz olduğundan ve delikli kısmının havalandırıldığından emin olun. (Şekil 12A)

### ÖNEMLİ

Gösterge açıklığı konumu çok kirliyse, gösterge şişmeyecektir. Bu durumda, gösterge açıklığı konumunu vakit kaybetmeden temizleyin.

## 6. KESME YÜKSEKLİĞİNİN AYARLANMASI

Kesme yüksekliği tekerleklerin istenen deliğe takılmasıyla ayarlanır.

Tüm tekerlekler mutlaka aynı yükseklikte olmalıdır. Yükseklik (bıçakla zemin arasındaki mesafe) 20 mm ila 55 mm arasında (3 yüksek kademesinde) ayarlanabilir. (Şekil 13)

En alçak ayar: 20 mm (konum (1)); orta ayar: 40 mm (konum (2)); en yüksek ayar: 55 mm (konum (3)).



**UYARI:** Elektrik kablosunu güç beslemesinden çıkartın.



**UYARI:** Bu ayar işlemini mutlaka bıçak durduktan sonra gerçekleştirin.



## 7. GÜVENLİK ÖNLEMLERİ

- Her zaman deflektör veya çim haznesi doğru konuma takılı haldeyken çalışın.
- Çim haznesini çıkartmadan veya kesme yüksekliği konumunu ayarlamaya başlamadan önce mutlaka motoru durdurun.
- Çim biçmeye başlamadan önce, biçilecek arazide makine tarafından fırlatılabilecek tüm yabancı maddeleri temizleyin. Çim biçilirken, gözden kaçırılmıő olabilecek yabancı maddelere karşı dikkatli olun. **(Şekil 14)**
- Motoru çalıştırırken veya normal kullanım sırasında çim biçme makinesinin arka kısmını kesinlikle kaldırmayın. **(Şekil 15)**
- Motor çalışırken, ellerinizi veya ayaklarınızı kesinlikle alt tabla altına veya arka deşarj oluđuna sokmayın. **(Şekil 16)**

## 8. ÇALIŐTIRMA

Çim biçme makinesini elektrik kaynađına bađlamadan önce, ana besleme geriliminin 230 V ~ 50 Hz olduđundan emin olun.

Çim biçme makinesini çalıştırmadan önce, uzatma kablосunu kablo kancasına sabitleyin. **(Şekil 17)**

Çim biçme makinesi açık konumdayken, gösterge ışığı yanar. **(Şekil 18)**

Motoru aőađı açıkladıđı şekilde çalıştırın. **(Şekil 19)**

- Emniyet düđmesine (1) basın.
- Bu sırada, çalıştırma kolunu (2) çekin ve makineyi çim üzerinde tutun.

Motor çalışırken, çim biçme makinesini iterek kullanın. Çalıştırma kolunu bıraktığınızda, motor duracaktır.

**! DİKKAT:** Bıçak, motor çalışmaya başlar başlamaz dönmeye başlar.

**! UYARI:** Motor kapatıldıktan sonra kesici parçalar bir süre daha dönmeye devam eder.

## 9. BIÇAK

Bıçak, preslenmiş çelikten imal edilmiştir. Bıçađın sık sık (bir bileme çarkıyla) bilenmesi gerekir.

Her zaman dengeli olduđundan emin olun (dengesiz bir bıçak, tehlikeli titreşimlere neden olur). Bıçađın dengeli olup olmadıđını kontrol etmek için, ortadaki deliđe yuvarlak bir çubuk sokun ve bıçađı yatay olarak kaldırın. **(Şekil 20)** Dengeli bir bıçak yatay konumda kalacaktır.

Bıçak dengesizse, ağır ucu aőađı doğru dönecektir. Bıçak tamamen dengeye gelene kadar ağır tarafı bileyin. **(Şekil 21)** Bıçađı (2) çıkartmak için, bıçak vidasını (3) sökün.

**(Şekil 22, Şekil 23, Şekil 24)**

Fanın (1) durumunu kontrol edin ve varsa, hasarlı parçaları deđiştirin. **(Şekil 22)**

Yeniden monte ederken, kesici kenarların motorun dönüş yönüne baktığından emin olun. Bıçak vidası (3) mutlaka 20-25 Nm'lik bir tork kuvveti uygulanarak sıkılmalıdır.



**UYARI:** Servis için, bıçađı yalnızca řu parçalarla deđiştirin: MAKITA 263001422 (ELM3311 için) ve MAKITA 263001414 (ELM3711 için).

## 10. UZATMA KABLoları

Uzatma kablolarını yalnızca dıőarıda çalışırken kullanın ve kesit alanı 1,0 mm<sup>2</sup>'den düşük olmayan, normal hizmet tipi uzatma kabloları tercih edin.

Makineyi çalıştırmadan önce, ana elektrik kablosunda ve uzatma kablosunda hasar belirtisi olup olmadıđını kontrol edin ve hasar veya yıpranma varsa kabloyu çıkartın. Kablونun kullanım sırasında hasar görmesi halinde, kablونun derhal güç kaynađıyla bađlantısını kesin. **GÜÇ KAYNAĐI İLE BAĐLANTISINI KESMEDEN ÖNCE KABLOYA KESİNLİKLE DOKUNMAYIN.** Kablosu hasar görmüş veya aşınmış makineleri kesinlikle kullanmayın. Uzatma kablosunu kesici parçalardan uzak tutun.



**UYARI:** Havalandırma deliklerinin her zaman açık olduđundan emin olun.

## 11. BAKIM VE TEMİZLİK



**UYARI:** Herhangi bir bakım veya temizlik çalışmasına başlamadan önce mutlaka ana güç beslemesini kesin!

Makineye kesinlikle su püskürtmeyin. Su girmesi anahtar-priz kombinasyonuna ve elektrikli motora zarar verebilir. Makineyi temiz bir el fırçasıyla vs. temizleyin.

**Uzman kontrolü gereklidir, bu nedenle herhangi bir arayı kendi başınıza yapmaya çalışmayın. Aőađıdaki durumlarda mutlaka bir Makita yetkili servis merkezine danıőın:**

- Çim biçme makinesi bir nesneye çarparsa.
- Motor aniden durursa.
- Bıçak eğilirse (düzeltmeye çalışmayın!).
- Motor mili eğilirse (düzeltmeye çalışmayın!).
- Kablo bađlandıđında, kısa devre meydana gelirse.
- Dişliler hasar görürse.
- V kayışı hasar görürse.

## 12. SORUN GİDERME



**UYARI:** Herhangi bir bakım veya temizlik çalışmasına başlamadan önce, ana güç kablosunu çekin ve kesici parçalar tamamen durana kadar bekleyin.

Arıza	Düzeltilici işlem
Motor çalışmıyor	Ana bağlantı kablosunu kontrol edin. Makineyi çimleri kısa bir alanda veya daha önce biçilmiş bir alanda çalıştırın. Deşarj kanalını/muhafazasını kontrol edin, çim biçme bıçağı mutlaka serbest şekilde dönmelidir. Kesme yüksekliğini düzeltin.
Motor gücü düşüyor	Kesme yüksekliğini düzeltin. Deşarj kanalını/muhafazasını temizleyin. Çim biçme bıçağını biletin/değiştirin → yetkili servis merkezi.
Çim haznesi dolmuyor	Kesme yüksekliğini düzeltin. Çimlerin kurumasını bekleyin. Çim biçme bıçağını biletin/değiştirin → yetkili servis merkezi. Çim haznesindeki ızgarayı temizleyin. Deşarj kanalını/muhafazasını temizleyin.
Tekerlek tahriki çalışmıyor	Esnek kabloyu ayarlayın. V kayışı/dişlileri kontrol ettirin → yetkili servis merkezi. Tekerlek tahrikinde hasar olup olmadığını kontrol edin.



**DİKKAT:** Bu tablo yardımıyla düzilemeyen arızalar mutlaka yalnızca Makita yetkili servis merkezi tarafından düzeltilmelidir.

## 13. ÇEVREYE UYUMLU ŞEKİLDE BERTARAFI



Elektrikli ve elektronik cihazlara ilişkin 2002/96/EC sayılı AB direktifi ve bu direktifin ilgili ülke kanunlarında uygulanışı uyarınca, tüm elektrikli aletler mutlaka ayrı olarak toplanmalı ve çevreye uyumlu şekilde geri dönüştürülmelidir. Alternatif bertaraf yöntemi:

Elektrikli aletin sahibi, aleti üreticiye iade etmezse, aletin uygun bir toplama merkezinde ulusal geri dönüşüm kanunları ve yönetmelikleri uyarınca geri dönüştürülmesi için gerekli işlemleri yapmakla yükümlüdür. Bu kural aksesuarlar ve elektrikli veya elektronik parçaları olmayan aletler için geçerli değildir.

### Yalnızca Avrupa ülkeleri için

#### AT Uygunluk Beyanı

**Makita Corporation, sorumlu üretici firma olarak, Makita marka makine/makineler ile ilgili şu hususları beyan eder:**

Makinenin Adı: Çim Biçme Makinesi

Model Numarası/Tipi: ELM3311, ELM3711

Teknik Özellikler: Bkz. "4. TEKNİK BİLGİLER"; seri üretimdir ve

### Şu Avrupa Yönergelerine uygundur:

2004/108/EC, 2006/42/EC, 2000/14/EC ve 2005/88/EC, 2006/95/EC

Ve şu standartlara veya standartlaştırılmış belgelere uygun olarak üretilmiştir:

EN 60335, EN 62233, EN 55014, EN 61000

Teknik dokümanlar şu firma tarafından saklanmaktadır:

Makita International Europe Ltd.,  
Michigan Drive, Tongwell,  
Milton Keynes, MK15 8JD, İngiltere

2000/14/EC sayılı Direktif uyarınca istenen uygunluk değerlendirme prosedürü, Ek VI'ya uygundur.

Onaylayan Kurum:

TÜV SÜD Industrie Service GmbH  
Westendstraße 199, D-80686 München  
Tanım Numarası: 0036

Model: ELM3311

Ölçülen Ses Gücü düzeyi: 87,7 dB (A)

Garanti Edilen Ses Gücü düzeyi: 96 dB (A)

Model: ELM3711

Ölçülen Ses Gücü düzeyi: 91,0 dB (A)

Garanti Edilen Ses Gücü düzeyi: 96 dB (A)

30. 11. 2012

Tomoyasu Kato

Müdür

Makita Corporation

3-11-8, Sumiyoshi-cho,  
Anjo, Aichi, 446-8502, JAPAN

**Förklaring till översiktsbilderna**

- |                        |                          |                     |
|------------------------|--------------------------|---------------------|
| 1. Handtagets övre del | 9. Framhjul              | 17. Framhjulsskydd  |
| 2. Kopplingsdosa       | 10. Motorkåpa            | 18. Framhjul        |
| 3. Säkerhetsknapp      | 11. Handtagets nedre del | 19. Framhjulsfäste  |
| 4. Låsspak             | 12. Kabelhake            | 20. Stenskydd       |
| 5. Kabelklämma         | 13. Kontrollhandtag      | 21. Nivåindikator   |
| 6. Gräsuppsamlare      | 14. Bakhjulsskydd        | 22. Indikatorlampan |
| 7. Bakhjul             | 15. Bakhjul              |                     |
| 8. Klippdäck           | 16. Bakhjulsfäste        |                     |

**LÄR KÄNNA DIN GRÄSKLIPPARE**

Läs igenom denna bruksanvisning noggrant, lägg märke till de rekommenderade säkerhetsinstruktionerna innan, under och efter användningen av din gräsklippare. Genom att följa dessa enkla instruktioner kommer du också att bevara din gräsklippare i gott skick. Bekanta dig med kontrollerna på din gräsklippare innan du använder den, men se framför allt till att du lär dig hur du stoppar gräsklipparen i ett nödläge. Behåll denna bruksanvisning och all annan information tillsammans med gräsklipparen för framtida bruk.

**1. SYMBOLER MÄRKTA PÅ PRODUKTEN**

Läs denna bruksanvisning noggrant innan du använder gräsklipparen och förvara den på ett säkert ställe för framtida bruk.



Håll åskådare borta.



Se upp för vassa knivar.



Håll den flexibla kabeln borta från de skärande knivarna.



**SYMBOL FÖR SÄKERHETSVARNING:** Indikerar att försiktighet krävs eller varningar och kan användas tillsammans med andra symboler eller bilder.

**DUBBEL ISOLERING**

Gräsklipparen är dubbelisolerad.

Detta betyder att alla yttre delar är strömisolerade. Detta åstadkoms genom att en extra isolerande barriär är placerad mellan de elektriska och mekaniska delarna.

**2. ALLMÄNNA SÄKERHETSANVISNINGAR**

Syftet med säkerhetsregler är att uppmärksamma dig på möjliga faror. Säkerhetssymbolerna och förklaringarna till dessa kräver din fulla uppmärksamhet och förståelse. Säkerhetsvarningarna eliminerar inte någon fara av sig själv. Instruktioner eller varningar som de ger ska inte ersätta förebyggande olycksåtgärder.



**VARNING:** Att misslyckas att hörsamma en säkerhetsvarning kan resultera i allvarig skada för dig eller andra. Följ alltid säkerhetsföreskrifterna för att minska risken för eldsvåda, elektrisk stöt och personskada. Spara bruksanvisningen och gå igenom den ofta för fortsatt säker användning och för att instruera andra som ska använda denna maskin.



**VARNING:** Maskinen bildar ett elektromagnetiskt fält omkring sig under användningen. Under vissa förhållanden kan detta fält störa aktiva eller passiva medicinska implantat. För att minska risken för allvarig eller dödlig skada, rekommenderar vi personer med medicinskt implantat att konsultera sin läkare och tillverkaren av det medicinska implantatet innan de använder maskinen.



**VARNING:** Användningen av maskiner kan leda till att främmande föremål kastas in i dina ögon, vilket kan orsaka allvarliga ögonskador. Bär alltid korgglasögon eller skyddsglasögon med sidoskydd och ett komplett ansiktsskydd, vid behov, innan du börjar arbeta med maskinen. Vi rekommenderar en säkerhetsmask som ger brett synfält för användning över glasögon eller standard skyddsglasögon med sidoskydd.

- 1) Läs noggrant igenom anvisningarna. Vänj dig vid manöverkontrollerna och att använda utrustningen på rätt sätt.
- 2) Låt aldrig gräsklipparen användas av barn eller av personer som inte känner till dessa anvisningar. Lokala bestämmelser kan ange en åldersgräns för användaren.
- 3) Använd aldrig gräsklipparen när personer, speciellt barn, eller djur finns i närheten.
- 4) Glöm inte att användaren är ansvarig för olyckor eller fara gentemot andra personer och deras egendom.

- 5) Bär alltid kraftiga skor och långbyxor när du klipper gräs. Använd inte utrustningen barfota eller med öppna skor.
- 6) Kontrollera noggrant hela arbetsområdet och ta bort alla föremål som skulle kunna kastas ut från maskinen.
- 7) Utför alltid en visuell inspektion innan användningen för att kontrollera att knivar, knivbultar och knivmonteringen inte är utnötta eller skadade. Ersätt samtliga utnötta eller skadade knivar och bultar i hela satsen så att balansen bibehålls.
- 8) Klipp endast i dagsljus eller i god belysning.
- 9) Undvik om det är möjligt att använda utrustningen i vått gräs.
- 10) Se alltid till att ha bra förfäste på slutningar.
- 11) Gå, spring aldrig.
- 12) För hjulförsedda roterande maskiner, klipp tvärs över sluttande terräng, aldrig upp och ner.
- 13) Var särskilt försiktig vid byte av riktning i sluttande terräng.
- 14) Klipp inte för mycket på branta ytor.
- 15) Var särskilt försiktig när du vänder eller drar gräsklipparen emot dig.
- 16) Stoppa kniven om gräsklipparen måste lutas för att transporteras över gräsfria ytor och när gräsklipparen transporteras till och från ytan där gräset ska klippas.
- 17) Använd aldrig gräsklipparen med trasiga skyddsanordningar eller utan säkerhetsutrustning som t ex stenskydd och/eller gräsupsamlare.
- 18) Starta motorn försiktigt enligt instruktionerna och håll fötterna långt borta från knivarna.
- 19) Luta inte gräsklipparen när du startar den, förutom om gräsklipparen måste lutas vid start. I så fall ska den inte lutas mer än vad som är absolut nödvändigt och lyft endast den del som är långt bort från operatören.
- 20) Starta inte motorn när du står framför gräsutkastningsöppningen.
- 21) Placera inte händer och fötter i närheten eller under roterande delar. Stå alltid på avstånd från utkastöppningen.
- 22) Lyft aldrig upp eller bär gräsklipparen när motorn är igång.
- 23) Stoppa motorn och dra ut stickkontakten:
  - innan du tar bort något som fastnat eller rensar gräsutkastöppningen.
  - innan gräsklipparen kontrolleras, rengörs eller något arbete utförs på den.
  - när du har kört på ett främmande föremål. Kontrollera gräsklipparen om det uppstått skador och utför reparationer innan maskinen startas och används på nytt.
  - om gräsklipparen börjar vibrera på ett onormalt sätt (kontrollera omedelbart).
- 24) Stoppa gräsklipparen:
  - när du lämnar gräsklipparen utan uppsikt.
- 25) Se till att alla muttrar, bultar och skruvar är åtdragna för att alltid bibehålla utrustningen i säkert arbetsskick.
- 26) Kontrollera gräsupsamlaren ofta så att den inte är utnött eller försämrad.
- 27) Byt ut utnötta eller skadade delar för säker användning.
- 28) Använd inte gräsklipparen om kablarna är skadade eller slitna.
- 29) Anslut aldrig en skadad kabel till elnätet eller vidrör en skadad kabel innan den är bortkopplad från elnätet. En skadad kabel kan resultera i strömförande delar.
- 30) Rör inte kniven innan maskinen är bortkopplad från elnätet eller innan kniven har stannat helt.
- 31) Håll förlängningskablar borta från kniven. Kniven kan skada kablarna och vilket kan leda till kontakt med strömförande delar.
- 32) Koppla bort från elnätet (t ex dra ut stickkontakten ur vägguttaget):
  - när maskinen lämnas utan uppsikt
  - innan du tar bort något som fastnat.
  - innan maskinen kontrolleras, rengörs eller något arbete utförs på den.
  - om du slagit emot ett främmande föremål.
  - om gräsklipparen börjar vibrera på ett onormalt sätt.
- 33) Barn ska övervakas så att de inte leker med maskinen.
- 34) Denna maskin är inte avsedd för användning av personer (inklusive barn) med nedsatt fysisk, mental eller sensorisk förmåga, eller av personer som inte har erfarenhet och kunskap om hur maskinen används, om de inte övervakas eller får instruktioner angående användning av maskinen av en person som är ansvarig för deras säkerhet.
- 35) Om den medskickade kabeln är skadad måste den ersättas med en ny specialkabel som finns tillgänglig från tillverkaren eller dess återförsäljare.
- 36) Instruktioner för säker hantering av apparaten, inklusive en rekommendation att strömförsörjning till apparaten ska ske via en differentialbrytare (RCD - Residual Current Device) med bortkoppling av strömmen vid högst 30 mA.
- 37) Var försiktig under justering av maskinen för att undvika att fastna med fingrarna mellan rörliga knivar och fasta maskindelar.
- 38) Låt alltid maskinen svalna innan du ställer undan den för förvaring.
- 39) Vid servicearbeten bör du vara uppmärksam på att knivarna fortfarande kan snurra även om strömkällan är avstängd.
- 40) Byt ut utnötta eller skadade delar för säker användning. Använd endast äkta reservdelar och tillbehör.
- 41) Var försiktig under justering av apparaten för att undvika att fastna med fingrarna mellan rörliga knivar och fasta apparatdelar.
- 42) Innan användningen ska du kontrollera utrustningen och förlängningskabeln för tecken på skada eller slitage. Om kabeln skadas under användning ska kabeln genast kopplas bort från elnätet. RÖR INTE KABELN FÖRRÄN DEN ÄR BORTKOPPLAD FRÅN ELNÄTET. Använd inte maskinen om kabeln är skadad eller slitna.
- 43) Om den medskickade kabeln är skadad måste den bytas ut av tillverkaren, dess serviceombud eller liknande kvalificerad fackman för att undvika fara.

### 3. BESKRIVNING AV DELAR (Fig. 1)

## 4. TEKNISKA DATA

Modell:	ELM3311	ELM3711
Märkspänning:	230 V~	230 V~
Märkfrekvens:	50 Hz	50 Hz
Märkeffekt:	1 100 W	1 300 W
Obelastat varvtal:	2 900/min	2 900/min
Skärvidd:	330 mm	370 mm
Garanterad ljudeffektnivå:	96 dB (A)	96 dB (A)
L <sub>pA</sub> (SPL) vid användarplatsen:	75,4 dB (A), K=3 dB (A)	77,6 dB (A), K=3 dB (A)
Garanterad vibration:	0,672 m/s <sup>2</sup> , K=1,5 m/s <sup>2</sup>	0,917 m/s <sup>2</sup> , K=1,5 m/s <sup>2</sup>
Gräsuppsamlarens kapacitet:	27 L	35 L
Nettovikt:	13,1 kg	14,9 kg
Skyddsgrad mot vätska:	IP24	IP24
Höjdställning:	20/40/55 mm, 3 lägen	20/40/55 mm, 3 lägen

## 5. MONTERING

### 5-1 MONTERA HJULET

För in axeln på fram- och bakhjulsskyddet i hjulet och skruva därefter in den i hålet på hjulfästet. (Fig. 2)



**WARNING:** Samtliga hjul måste stå på samma höjd.

### 5-2 MONTERA DET FÄLLBARA HANDTAGET

- För in de nedre handtagsstängerna i de förberedda hålen i klippdäcket, fäst sedan med den medskickade skruven med hjälp av en skruvmejsel. (Fig. 3, Fig. 4, Fig. 5)
- Fäst handtagets övre och undre del med låsspaken. (Fig. 6, Fig. 7)
- Placera kabeln över handtagsskafet. Kläm fast den runt det nedre handtagets mitt med kabelklämman och kontrollera att kabeln är fäst på utsidan av handtaget. Annars kan kabeln komma i kläm vid öppning/stängning av stenskyddet. (Fig. 8)

### 5-3 MONTERA GRÄSUPPSAMLAREN

- Fastsättning: lyft stenskyddet och haka fast gräsuppsamlaren på maskinens baksida. (Fig. 9, Fig. 10, Fig. 11)
- Borttagning: ta tag i och lyft upp stenskyddet, ta bort gräsuppsamlaren.  
Det finns en nivåindikator på ovansidan av gräsuppsamlaren som visar om uppsamlaren är tom eller full (Fig. 12A, Fig. 12B):
  - Nivåindikatorn blåser upp om uppsamlaren inte är full under klippning. (Fig. 12B)
  - Indikatorn faller ner om uppsamlaren är full. När detta händer ska du omedelbart sluta klippa och tömma uppsamlaren, kontrollera att den är ren och se till att nätet i uppsamlaren är rent. (Fig. 12A)

#### VIKTIGT

Om indikatoröppningen är mycket igång blåser inte indikatorn upp. Om detta är fallet ska indikatoröppningen omedelbart rengöras.

## 6. JUSTERING AV KLIPPHÖJDEN

Klipphöjden regleras genom att fästa hjulen i motsvarande hål.

Samtliga hjul måste stå på samma höjd.

Höjden (från kniven till marken) kan justeras från 20 mm till 55 mm (3 höjdlägen). (Fig. 13)

Det lägsta läget: 20 mm (läge (1)); det mittersta läget: 40 mm (läge (2)); det högsta läget: 55 mm (läge (3)).



**WARNING:** Koppla bort elkabeln från elnätet.



**WARNING:** Utför justeringen endast med stillastående kniv.

## 7. SÄKERHETSÅTGÄRDER

- Använd alltid maskinen med stenskydd eller gräsuppsamlare i rätt position.
- Stoppa alltid motorn innan gräsuppsamlaren tas bort eller vid reglering av klipphöjden.
- Innan man börjar klippa ska man avlägsna alla främmande föremål, som kan kastas ut från maskinen, från gräsmattan. Var under klippningen uppmärksam på främmande föremål på gräsmattan som du kan ha missat. (Fig. 14)
- Lyft aldrig den bakre delen av gräsklipparen medan du startar motorn eller under klippningen. (Fig. 15)
- Placera aldrig dina händer eller fötter under klippdäcket eller i den bakre gräsutkastningsöppningen medan motorn är igång. (Fig. 16)

## 8. STARTA

Kontrollera att spänningen är 230 V ~ 50 Hz innan du ansluter gräsklipparen till elnätet.

Fäst förlängningskabeln i kabelhaken innan du startar gräsklipparen. (Fig. 17)

När gräsklipparen får ström tänds indikatorlampan. (Fig. 18)

Starta motorn på följande sätt. (Fig. 19)

- Tryck på säkerhetsknappen (1).
- Och dra under tiden i kontrollhandtaget (2) och behåll det i det läget.

Skjut gräsklipparen manuellt när motorn går.

Om du släpper kontrollhandtaget stannar motorn.



**FÖRSIKTIGHET:** Kniven börjar rotera så fort motorn startar.



**WARNING:** Skärande delar fortsätter att snurra efter det att motorn stängts av.

## 9. KNIV

Kniven är tillverkad av pressat stål. Det är nödvändigt att slipa den ofta (med en slipskiva).

Kontrollera att den alltid är i jämvikt (en obalanserad kniv skapar farliga vibrationer). För in en rund stång genom mitthålet och stöd kniven horisontalt för att kontrollera balansen. (Fig. 20) En balanserad kniv förblir horisontell. Om kniven inte är balanserad kommer den tunga änden att rotera neråt. Slipa den tunga sidan på nytt tills kniven är balanserad. (Fig. 21) För att ta bort kniven (2) skruvar du ur den skruv som fäster den (3). (Fig. 22, Fig. 23, Fig. 24)

Kontrollera fläktens (1) skick och byt ut eventuella delar som är skadade. (Fig. 22)

Kontrollera vid monteringen att de skärande delarna är riktade i motorns rotationsriktning. Knivens skruv (3) måste dras åt till ett vridmoment på 20 - 25 Nm.



**WARNING:** Vid service, byt endast ut kniven mot: MAKITA 263001422 (för ELM3311) och MAKITA 263001414 (för ELM3711).

## 10. FÖRLÄNGNINGSKABLAR

Endast förlängningskablar för utomhusbruk ska användas. Använd kablar för normalanvändning med en tvärsnittsarea inte mindre än 1,0 mm<sup>2</sup>.

Kontrollera den medskickade kabeln och förlängningskablar före användningen så att de inte har skadats under tidigare användning och ta bort eventuell skadad eller sliten kabel. Om kabeln skadas under användning ska kabeln genast kopplas bort från elnätet. RÖR INTE KABELN FÖRRÄN DEN ÄR BORTKOPPLAD FRÅN ELNÄTET. Använd inte maskinen om kabeln är skadad eller sliten. Håll förlängningskabeln borta från skärande delar.



**WARNING:** Försäkra dig alltid om att ventilationshålen är fria från skräp.

## 11. UNDERHÅLL OCH SKÖTSEL



**WARNING:** Innan något underhållsarbete eller rengöring utförs ska alltid stickkontakten dras ut!

Spreja inte vatten på enheten. Inträde av vatten kan förstöra kombinationsenheten strömbrytare/stickkontakt och elmotorn. Rengör enheten med en duk, handborste etc.

**Inspektion av en fackman krävs, utför inte några justeringar själv, du måste kontakta Makitas auktoriserade servicecenter:**

- om gräsklipparen slår emot ett föremål.
- om motorn plötsligt stannar.
- om kniven är böjd (räta inte ut den!).
- om motoraxeln är böjd (räta inte ut den!).
- om en kortslutning uppstår när kabeln är ansluten.
- om växlarna är skadade.
- om kilremmen är felaktig.

## 12. FELSÖKNING



**WARNING:** Dra alltid ut stickkontakten och vänta tills kniven har stannat helt innan du utför något underhålls- eller rengöringsarbete.

Fel	Åtgärd
Motorn startar inte	Kontrollera strömanslutningskabeln. Starta på kort gräs eller på ett område som redan har klippts. Rengör gräsutkastningskanal/hölje, den klippande kniven måste rotera fritt. Korrigera klipphöjden.
Motoreffekten avtar	Korrigera klipphöjden. Rengör gräsutkastningskanalen/höljet. Få den klippande kniven slipad eller utbytt → auktoriserade servicecenter.
Gräsuppsamlaren är inte fylld	Korrigera klipphöjden. Tillåt gräsmattan att torka. Få den klippande kniven slipad eller utbytt → auktoriserade servicecenter. Rengör skyddsgallret på gräsuppsamlaren. Rengör gräsutkastningskanalen/höljet.
Fyrhjulsdriften fungerar inte	Justera den flexibla kabeln. Kontrollera kilremmen/växlarna → auktoriserade servicecenter. Kontrollera om drivhjulen är skadade.



**FÖRSIKTIGHET:** Fel som inte kan åtgärdas med hjälp av denna tabell ska endast korrigeras av Makitas auktoriserade servicecenter.

## 13. MILJÖVÄNLIG AVFALLSHANTERING



Enligt EU-direktiv 2002/96/EU för elektrisk och elektronisk utrustning och dess implementering i nationell lag, måste alla elektriska maskiner samlas in separat och återvinnas på ett miljövänligt sätt. Alternativt avfallshantering: om ägaren av maskinen inte lämnar tillbaka maskinen till tillverkaren är ägaren

ansvarig för korrekt avfallshantering på en utsedd  
sopsorteringsstation där maskinen förbereds för  
återvinning enligt nationella lagar och bestämmelser.  
Detta inkluderar inte tillbehör och maskiner utan elektriska  
eller elektroniska komponenter.

**Gäller endast Europa**

**EU-deklaration om överensstämmelse**

**Vi Makita Corporation som ansvarig tillverkare  
deklarerar härmed att följande maskin(er) från Makita:**

Maskinbeteckning: Gräsklippare

Modellnr./typ: ELM3311, ELM3711

Specifikationer: Se "4. TEKNISKA DATA" ingår i  
serieproduktion och

**Uppfyller följande europeiska direktiv:**

2004/108/EU, 2006/42/EU, 2000/14/EU & 2005/88/  
EU, 2006/95/EU

Och är tillverkade enligt följande standarder eller  
standarddokument:

EN 60335, EN 62233, EN 55014, EN 61000

Den tekniska dokumentationen förs av:

Makita International Europe Ltd.,

Michigan Drive, Tongwell,

Milton Keynes, MK15 8JD, England

Konformitetsgodkännandet som krävs av direktiv 2000/  
14/EU, var i överensstämmelse med bilaga VI.

Anmält organ:

TÜV SÜD Industrie Service GmbH

Westendstraße 199, D-80686 München

Identifikationsnummer: 0036

Modell: ELM3311

Uppmätt ljudeffektnivå: 87,7 dB (A)

Garanterad ljudeffektnivå: 96 dB (A)

Modell: ELM3711

Uppmätt ljudeffektnivå: 91,0 dB (A)

Garanterad ljudeffektnivå: 96 dB (A)

30. 11. 2012



Tomoyasu Kato

Direktör

Makita Corporation

3-11-8, Sumiyoshi-cho,

Anjo, Aichi, 446-8502, JAPAN

**Forklaring til oversikten**

- |                        |                        |                        |
|------------------------|------------------------|------------------------|
| 1. Øvre håndtak        | 9. Forhjul             | 17. Deksel for forhjul |
| 2. Bryterboks          | 10. Motordeksel        | 18. Forhjulet          |
| 3. Sikkerhetstrykknapp | 11. Nedre håndtak      | 19. Forhjulstøtten     |
| 4. Låsehendel          | 12. Kabelkrok          | 20. Bakdekslet         |
| 5. Kabelklemme         | 13. Bryterhåndtak      | 21. Nivåindikator      |
| 6. Gressoppsamler      | 14. Deksel for bakhjul | 22. Indikatorlampe     |
| 7. Bakhjul             | 15. Bakhjulet          |                        |
| 8. Bunnpanne           | 16. Bakhjulstøtten     |                        |

**KJENN DIN GRESSKLIPPER**

Les denne bruksanvisningen nøye, og observer de anbefalte sikkerhetsinstruksene før, under og etter bruk av gressklipperen. Ved å følge disse enkle instruksjonene vil du også kunne holde gressklipperen i god stand. Gjør deg kjent med kontrollene på gressklipperen din før du prøver å bruke den, men fremfor alt, vær sikker på at du vet hvordan du skal stoppe klipperen i en nødsituasjon. Oppbevar denne bruksanvisningen og all annen informasjon med gressklipperen for fremtidig referanse.

**1. SYMBOLENE PÅ PRODUKTET**

Les denne bruksanvisningen nøye før du bruker gressklipperen og oppbevar den på et trygt sted for fremtidig referanse.



Hold tilskuere unna.



Pass deg for skarpe blader.



Dra støpset ut før det utføres vedlikehold på maskinen, eller hvis ledningen er skadet.



Hold den fleksible forsyningsledningen unna skjærebledene.



**SIKKERHETSSYMBOL:** Indikerer advarsel og kan brukes sammen med andre symboler eller bilder.

**DOBBELTISOLERT**

**Gressklipperen er dobbeltisolert.**

Dette betyr at alle ytre deler er elektrisk isolert fra strømforsyningen. Dette er oppnådd ved å plassere et ekstra isoleringssjikt mellom de elektriske og mekaniske delene.

**2. GENERELLE SIKKERHETSREGLER**

Formålet med sikkerhetsreglene er å gjøre deg oppmerksom på mulige farer. Du må studere og forstå sikkerhetssymbolene og forklaringene av dem. Advarslene eliminerer ikke i seg selv noen fare. Anvisningene eller advarslene de gir er ingen erstatning for gode ulykkesforebyggende tiltak.



**ADVARSEL:** Det å ikke ta hensyn til en advarsel, kan føre til at du selv eller andre får alvorlige personskader. Du må alltid følge forholdsreglene for å redusere brannfaren, faren for elektrisk støt eller helseskade. Oppbevar denne bruksanvisningen og slå opp i den med jevne mellomrom for å sikre trygg bruk, og for å kunne instruere andre som skal bruke denne maskinen.



**ADVARSEL:** Denne maskinen produserer et elektromagnetisk felt under drift. Dette feltet kan i enkelte tilfeller forstyrre aktive eller passive medisinske implantater. For å redusere risikoen for alvorlig eller livsfarlig personskade, anbefaler vi personer med medisinske implantater å konsultere deres lege og produsenten av det medisinske implantatet før de bruker denne maskinen.



**ADVARSEL:** Bruken av enhver type verktøy kan føre til at man får fremmedlegemer i øynene, noe som kan gi alvorlige øyeskader. Før du begynner å bruke et elektrisk verktøy må du alltid ta på deg vernebriller med sidevern, og om nødvendig, en heldekkende ansiktsmaske. Vi anbefaler vernemaske med bredt synsfelt til bruk over briller eller standard vernebriller med sidevern.

- 1) Les nøye gjennom bruksanvisningen. Gjør deg kjent med kontrollene og sett deg inn i hvordan utstyret fungerer.
- 2) La aldri barn eller personer som ikke er kjent med denne bruksanvisningen, bruke gressklipperen. Lokale bestemmelser kan omfatte aldersgrenser for bruk av utstyret.
- 3) Bruk aldri gressklipperen mens uvedkommende (særlig barn og kjæledyr) er til stede.
- 4) Husk at operatøren eller brukeren er ansvarlig for ulykker eller faresituasjoner som kan oppstå for andre personer eller på deres eiendom.



- 5) Bruk alltid solid fottøy og langbukser når du bruker gressklipperen. Ikke bruk utstyret barbeint eller med åpne sandaler.
- 6) Inspiser området hvor utstyret skal brukes grundig, og fjern alle gjenstander som kan slenges vekk av maskinen.
- 7) Før bruk må du alltid inspisere maskinen for å sjekke at blader, bladbolter og skjæreverket ikke er slitt eller skadet. Erstatt hele settet av slitte eller skadde blader og bolter for å opprettholde balansen.
- 8) Bruk gressklipperen bare i dagslys eller ved god kunstig belysning.
- 9) Unngå å bruke gressklipperen i vått gress, der det lar seg gjøre.
- 10) Pass på at du har godt fotfeste i skråninger.
- 11) Gå, ikke løp.
- 12) For roterende maskiner med hjul, klipp på tvers av skråninger, aldri oppover og nedover.
- 13) Vær svært forsiktig under endring av retning i skråninger.
- 14) Ikke klipp i allfor bratte skråninger.
- 15) Vær uhyre forsiktig når du skal rygge eller trekke gressklipperen mot deg.
- 16) Stans bladet hvis gressklipperen må skråstilles for transport når du må krysse andre bakkeunderlag enn gress og når du transporterer gressklipperen til og fra området hvor den skal brukes.
- 17) Du må aldri bruke gressklipperen hvis vernebeskyttelse er defekte eller sikkerhetsinnretningene ikke er på plass, for eksempel ledeplater og/eller gressoppsamlere.
- 18) Start eller slå på motoren forsiktig i samsvar med instruksjonene og med føttene godt borte fra bladene.
- 19) Ikke skråstill gressklipperen mens du starter eller slår på motoren, med mindre gressklipperen må skråstilles for at den skal starte. I så fall, ikke skråstill den mer enn absolutt nødvendig og løft bare den delen som er unna brukeren.
- 20) Ikke start motoren mens du står foran utløpsrennen.
- 21) Ikke plasser hender eller føtter nær eller under roterende deler. Hold deg hele tiden borte fra utløpsåpningen.
- 22) Du må aldri løfte eller bære en gressklipper mens motoren er i gang.
- 23) Stopp motoren og koble den fra støpselet:
  - før du fjerner tilstopninger eller blokkeringer i rennen,
  - før du kontrollerer, rengjør eller utfører arbeid på gressklipperen,
  - etter at du har truffet et fremmedlegeme. Inspiser gressklipperen for skade, og reparer før du starter og bruker gressklipperen på nytt.
  - hvis gressklipperen begynner å vibrere unormalt (kontroller umiddelbart).
- 24) Stans gressklipperen:
  - hver gang du forlater gressklipperen.
- 25) Hold alle mutre, bolter og skruer strammet for å sikre at utstyret er i god driftsmessig stand.
- 26) Sjekk gressoppsamlere ofte for slitasje eller skader.
- 27) Erstatt slitte og skadde deler for å øke sikkerheten.
- 28) Ikke bruk gressklipperen hvis ledningene er skadde eller slitte.
- 29) Ikke koble en skadet ledning til strømforsyningen eller berør en skadet ledning før den er koblet fra strømmettet. En skadet ledning kan føre til kontakt med spenningsførende deler.
- 30) Ikke berør bladet før maskinen er koblet fra strømmettet og bladet har stoppet fullstendig.
- 31) Hold skjøteledninger borte fra bladet. Bladet kan forårsake skade på ledninger og føre til kontakt med spenningsførende deler.
- 32) Koble fra strømforsyningen (dvs. trekke ut støpselet fra stikkontakten):
  - når du lar maskinen være uten tilsyn;
  - før du fjerner ting som har satt seg fast;
  - før du kontrollerer, renser eller utfører arbeid på maskinen;
  - etter at du har slått borti et fremmedlegeme;
  - når maskinen begynner å vibrere unormalt kraftig.
- 33) Barn skal holdes under tilsyn for å sikre at de ikke leker med enheten.
- 34) Denne enheten skal ikke brukes av personer (inklusive barn) med reduserte fysiske evner, sanseevner eller mentale evner, eller som mangler erfaring og kunnskap, med mindre de er under oppsyn eller har fått instruksjoner som gjelder bruk av enheten av en person som er ansvarlig for deres sikkerhet.
- 35) Hvis ledningen er ødelagt, må den erstattes med en spesiell ledning eller del som er tilgjengelig hos produsenten eller dens serviceagent.
- 36) Instruksjoner for sikker drift av apparatet, inkludert en anbefaling om at enheten bør forsynes via jordfeilbryter (RCD) med en utløsningsstrøm på ikke mer enn 30 mA.
- 37) Vær forsiktig under justering av maskinen slik at fingrene ikke befinner seg mellom roterende blader og faste deler av maskinen.
- 38) La alltid maskinen kjøle seg ned før den oppbevares.
- 39) Under service på bladene, vær oppmerksom på at selv om strømkilden er avslått, kan bladene fremdeles bevege seg.
- 40) Erstatt slitte og skadde deler for å øke sikkerheten. Bruk kun originale reservedeler og tilbehør.
- 41) Vær forsiktig under justering av utstyret slik at fingrene ikke befinner seg mellom roterende blader og faste deler av utstyret.
- 42) Før bruk må strømledningen og skjøteledningen kontrolleres for tegn på skade og slitasje. Hvis kablen blir skadet under bruk, må den omgående kobles fra strømmettet. **IKKE BERØR KABELN FØR STRØMFORSYNINGEN ER KOBLET FRA.** Bruk ikke enheten hvis ledningen er skadet eller er slitt.
- 43) Hvis ledningen er ødelagt, må den skiftes av produsenten eller dennes serviceagent eller en tilsvarende kvalifisert person, om farlige situasjoner skal unngås.

### 3. BESKRIVELSE AV DELER (Fig. 1)

## 4. TEKNISKE DATA

Modell:	ELM3311	ELM3711
Merkespenning:	230 V~	230 V~
Merkefrekvens:	50 Hz	50 Hz
Merkeeffekt:	1 100 W	1 300 W
Tomgangshastighet:	2 900/min	2 900/min
Klippebredde:	330 mm	370 mm
Garantert lydeffektnivå:	96 dB (A)	96 dB (A)
L <sub>pA</sub> (SPL) på brukerstedet:	75,4 dB (A), K=3 dB (A)	77,6 dB (A), K=3 dB (A)
Garantert vibrasjon:	0,672 m/s <sup>2</sup> , K=1,5 m/s <sup>2</sup>	0,917 m/s <sup>2</sup> , K=1,5 m/s <sup>2</sup>
Kapasitet på gressoppsamler:	27 L	35 L
Nettovekt:	13,1 kg	14,9 kg
Grad av beskyttelse mot væske:	IP24	IP24
Høydejustering:	20/40/55 mm, 3 justering	20/40/55 mm, 3 justering

## 5. MONTERING

### 5-1 MONTERE HJULET

Sett akslene til for- og bakhjuldekslene inn i hjulene og skru inn i hullet på hjulstøttene. (Fig. 2)



**ADVARSEL:** Alle hjulene må være i samme høyde.

### 5-2 MONTERING AV FOLDEHÅNDTAKET

- Sett de nedre håndtakene i de faste hullene i bunnpannen, og fest deretter med medfølgende skruer ved hjelp av en skrutrekk. (Fig. 3, Fig. 4, Fig. 5)
- Sett sammen det øvre håndtaket og det nedre håndtaket med låsehendelen. (Fig. 6, Fig. 7)
- Plasser kabelen over håndtaket. Klem den rundt midten av det nedre håndtaket med kabelklemmen og pass på at kabelen er festet på utsiden av håndtaket. Ellers kan kabelen komme i klem ved å åpne/lukke bakdekslet. (Fig. 8)

### 5-3 MONTERE GRESSOPPSAMLEREN

- For å feste: Løft bakdekslet og sett gressoppsamleren på baksiden av gressklipperen. (Fig. 9, Fig. 10, Fig. 11)
- For å fjerne: Grip tak i og løft bakdekslet; fjern gressoppsamleren.

Det er en nivåindikator på gressoppsamleren som viser om den er tom eller full (Fig. 12A, Fig. 12B):

- Nivåindikatoren øker hvis gressoppsamleren ikke er full under klippingen. (Fig. 12B)
- Hvis gressoppsamleren er full, synker indikatoren. Når dette skjer, hold opp å klippe umiddelbart og tøm og rengjør posen, kontroller at den er ren og sikre at nettingen er ventilert. (Fig. 12A)

### VIKTIG

Hvis indikatoråpningen er veldig skitten, vil indikatoren ikke utløses. I så fall, rengjør indikatoråpningen umiddelbart.

## 6. JUSTERING AV SKJÆREHØYDEN

Klippehøyden justeres ved å feste hjulene til ønsket hull. Alle hjulene må være i samme høyde.

Høyden (bladet til bakken) kan justeres fra 20 mm til 55 mm (3 høydeposisjoner). (Fig. 13)

Laveste justering: 20 mm (posisjon (1)); midtjustering: 40 mm (posisjon (2)); høyeste justering: 55 mm (posisjon (3)).



**ADVARSEL:** Koble strøm fra strømforsyningen.



**ADVARSEL:** Denne justeringen må kun foretas når bladet har stoppet.

## 7. SIKKERHETSRELATERTE FORHOLDSREGLER

- Arbeid alltid med ledeplaten eller gressoppsamleren i riktig posisjon.
- Stopp alltid motoren før du fjerner gressoppsamleren eller justerer høyden på klippeposisjonen.
- Før du klipper, fjern alle fremmedlegemer fra plenen som kan bli kastet av maskinen. Mens du klipper, se opp for eventuelle fremmedlegemer som du kan ha oversett. (Fig. 14)
- Løft aldri opp baksiden av gressklipperen når du starter motoren eller under normal drift. (Fig. 15)
- Plasser aldri hendene på eller føl på undersiden av bunnpannen eller i utkasteråpningen når motoren er i gang. (Fig. 16)

## 8. STARTE

Før du kobler gressklipperen til den elektriske strømforsyningen, må du kontrollere at nettspenningen er 230 V ~ 50 Hz.

Før du starter gressklipperen, fest skjøteledningen på kabelkroken. (Fig. 17)

Når gressklipperen slås på, vil indikatorlampen slås på. (Fig. 18)

Slik starter du motoren. (Fig. 19)

- Trykk på sikkerhetstrykknappen (1).
- Og i mellomtiden, dra i bryterhåndtaket (2), og hold det i hendene.

Skvy gressklipperen for hånd når motoren er i gang. Hvis du slipper bryterhåndtaket, vil motoren stoppe.



**FORSIKTIG:** Bladet begynner å gå rundt så snart motoren startes.



**ADVARSEL:** Skjæreelementer fortsetter å rotere etter at motoren er slått av.

## 9. BLAD

Bladet er laget av presset stål. Det vil være behov for å rette det ut ofte (med en slipeskive). Sørg for at det alltid er balansert (et ubalansert blad vil føre til farlige vibrasjoner). For å kontrollere balansen, sett en rund stang gjennom det sentrale hullet og støtt bladet horisontalt. (Fig. 20) Et balansert blad vil forbli vannrett. Hvis bladet ikke er balansert vil den tunge enden rotere nedover. Rett ut den tunge enden til bladet er balansert. (Fig. 21) For å fjerne bladet (2), skru ut skruen på bladet (3). (Fig. 22, Fig. 23, Fig. 24) Kontroller tilstanden til viften (1), og skift ut alle deler som er skadet. (Fig. 22) Når du setter alt sammen igjen, pass på at skjærekantene peker i retningen som motoren roterer. Skruen på bladet (3) trekkes til med moment 20-25 Nm.



**ADVARSEL:** For service, erstatt bladet kun med: MAKITA 263001422 (for ELM3311) og MAKITA 263001414 (for ELM3711).

## 10. SKJØTELEDNINGER

Du bør kun bruke skjøteledninger ment for utendørs bruk med et tverrsnitt på ikke mindre enn 1,0 mm<sup>2</sup>. Før bruk må strømledningen og skjøteledningen sjekkes for skade under bruk; koble begge fra og se etter tegn på skade og aldri. Hvis kabelen blir skadet under bruk, må den omgående kobles fra strømmettet. IKKE BERØR KABELEN FØR STRØMFORSYNINGEN ER KOBLET FRA. Bruk ikke enheten hvis ledningen er skadet eller er slitt. Hold skjøteledningen borte fra å skjæredelene.



**ADVARSEL:** Pass på at ventilasjonsåpningene alltid holdes fri for rusk og rask.

## 11. VEDLIKEHOLD OG STELL



**ADVARSEL:** Før vedlikehold eller rens av verktøyet, trekk alltid ut stikkkontakten! Ikke spray vann på enheten. Dersom vann trenger seg inn, kan det ødelegge bryter-plugg-kombinasjonsheten og den elektriske motoren. Rengjør utstyret med en klut, håndholdt kost, e.l.

**Sakkyndig kontroll er nødvendig; ikke gjør noen justeringer selv; du må kontakte et Makita- autorisert servicesenter:**

- hvis gressklipperen treffer en gjenstand.
- hvis motoren plutselig stopper.
- hvis bladet er bøyd (ikke juster selv!).
- hvis motorakselen er bøyd (ikke juster selv!).
- hvis en kortslutning oppstår når kabelen er tilkoblet.
- Hvis girene er skadde.
- Hvis V-beltet er defekt.

## 12. FEILSØKING



**ADVARSEL:** Før vedlikehold eller rens av verktøyet, trekk alltid ut stikkkontakten og vent til gressklipperen har stoppet helt.

Feil	Utbedringstiltak
Motoren går ikke	Sjekk strømkabelen. Start på kort gress eller på et område som allerede er klippet. Rengjør utløpskanalen/huset. Klippebladet må rotere fritt. Korrigjer klippehøyden.
Motoreffekten synker	Korrigjer klippehøyden. Rengjør utløpskanalen/huset. Bytt eller slip klippeblad → autorisert servicesenter.
Gressoppsamler blir ikke fylt	Korrigjer klippehøyden. La plenen bli tørr. Bytt eller slip klippeblad → autorisert servicesenter. Rengjør gitteret på gressoppsamleren. Rengjør utløpskanalen/huset.
Drivhjulene fungerer ikke	Juster den fleksible kabelen. Kontroller V-beltet/gir → autorisert servicesenter. Se etter skader på drivhjulene.



**FORSIKTIG:** Feil som ikke kan rettes opp ved hjelp av denne tabellen kan kun rettes opp ved et Makita- autorisert servicesenter.

## 13. MILJØVENNLIG AVFALLSBEHANDLING



I henhold til EU-direktiv 2002/96/EF om kasserte elektriske og elektroniske produkter og direktivets iverksetting i nasjonal rett, må elektroutstyr som ikke lenger skal brukes, samles separat og returneres til et miljøvennlig gjenvinningsanlegg. Alternativt avhending: Hvis eieren av elektroverktøyet ikke returnerer verktøyet til produsenten, er han ansvarlig for riktig avhending til et godkjent avfallsbehandlingsanlegg som forbereder enheten for resirkulering i henhold til nasjonal lovgivning for resirkulering. Dette inkluderer ikke tilbehør og redskaper uten elektriske eller elektroniske komponenter.

**Gjelder kun land i Europa**

**EF-samsvarserklæring**

**Som ansvarlig produsent erklærer vi, Makita Corporation, at følgende Makita-maskin(er):**

Maskinbetegnelse: Gressklipper

Modellnr./type: ELM3311, ELM3711

Spesifikasjoner: Se "4. TEKNISKE DATA" er av serieproduksjon og

**I samsvar med følgende EU-direktiver:**

2004/108/EF, 2006/42/EF, 2000/14/EF & 2005/88/EF, 2006/95/EF

Og er produsert i henhold til følgende standarder eller standardiserte dokumenter:

EN 60335, EN 62233, EN 55014, EN 61000

Den tekniske dokumentasjonen oppbevares hos:

Makita International Europe Ltd.,

Michigan Drive, Tongwell,

Milton Keynes, MK15 8JD, England

Samsvarsvurderingen som er påkrevet i henhold til direktiv 2000/14/EF ble utført i samsvar med Vedlegg VI.

Teknisk kontrollorgan:

TÜV SÜD Industrie Service GmbH

Westendstraße 199, D-80686 München

Identifikasjonsnummer: 0036

Modell: ELM3311

Målt lydeffektnivå: 87,7 dB (A)

Garantert lydeffektnivå: 96 dB (A)

Modell: ELM3711

Målt lydeffektnivå: 91,0 dB (A)

Garantert lydeffektnivå: 96 dB (A)

30. 11. 2012



Tomoyasu Kato

Direktør

Makita Corporation

3-11-8, Sumiyoshi-cho,

Anjo, Aichi, 446-8502, JAPAN

Yleisnäkymän selitykset

- |                  |                       |                      |
|------------------|-----------------------|----------------------|
| 1. Ylempi kahva  | 9. Etupyörä           | 17. Etupyörän suojus |
| 2. Kytkinrasia   | 10. Moottorin suojus  | 18. Etupyörä         |
| 3. Turvakosketin | 11. Alempi kahva      | 19. Etupyörän tuenta |
| 4. Lukitusvipu   | 12. Johdonpidike      | 20. Takakansi        |
| 5. Johdon pidin  | 13. Kytinkahva        | 21. Tason ilmaisin   |
| 6. Ruohonkeräin  | 14. Takapyörän suojus | 22. Merkkivalo       |
| 7. Takapyörä     | 15. Takapyörä         |                      |
| 8. Pohjalevy     | 16. Takapyörän tuenta |                      |

**PEREHDY RUOHONLEIKKURIN TOIMINTAAN**

Lue tämä käyttöohje huolellisesti ja noudata suositeltuja turvallisuusohjeita ennen ruohonleikkurin käyttöä, käytön aikana sekä käytön jälkeen. Kun noudatat näitä yksinkertaisia ohjeita, ruohonleikkuri pysyy hyvässä kunnossa. Perehdy ruohonleikkurin säätimiin, ennen kuin ryhdyt käyttämään sitä. Varmista ennen kaikkea, että osaat pysäyttää ruohonleikkurin hätätilanteessa. Säilytä tämä käyttöohje ja muu ruohonleikkuriin liittyvä materiaali tulevaa tarvetta varten.

**1. TUOTTEeseen MERKITYT SYMBOLIT**

Lue tämä ohjekirja huolellisesti, ennen kuin käytät ruohonleikkuria, ja säilytä sitä turvallisessa paikassa tulevaa tarvetta varten.



Pidä sivulliset loitolla.



Varo teräviä teriä.



Irrota laite sähköverkosta aina ennen huoltotoimenpiteiden aloittamista tai jos johto on viallinen.



Pidä virtajohto poissa terien ulottuvilta.



**TURVALLISUUSSYMBOLI:** Merkinä varoituksesta. Voidaan käyttää yhdessä muiden symbolien tai kuvien kanssa.

**KAKSINKERTAISESTI ERISTETTY**

**Ruohonleikkuri on kaksinkertaisesti suojaeristetty.**

Tämä tarkoittaa, että kaikki ulkoiset osat on sähköeristetty virransyötöstä. Eristys on toteutettu sähköisten ja mekaanisten osien välille sijoitetulla lisäeristekerroksella.

**2. YLEISIÄ TURVAOHJEITA**

Näiden turvaohjeiden tarkoituksena on kiinnittää käyttäjän huomio mahdollisiin vaaratekijöihin.

Turvallisuussymboleihin ja niiden selityksiin tulee kiinnittää asianmukaista huomiota. Turvallisuutta koskevat varoitukset eivät itsessään poista vaaroja. Ohjeet tai varoitukset eivät korvaa onnettomuuksien ehkäisemiseksi tehtäviä varotoimia.



**VAROITUS:** Turvallisuutta koskevien varoitusten huomiotta jättäminen voi johtaa vakaviin henkilövahinkoihin. Noudattamalla turvallisuusohjeita pienennät tulipalo-, sähköisku- ja loukkaantumiskärsiä. Säilytä tämä käyttöohje ja tarkista siitä turvaohjeet tarvittaessa. Opasta muita käyttäjiä työkalun käytössä käyttööppaan ohjeiden mukaan.



**VAROITUS:** Tämä laite tuottaa toimiessaan sähkömagneettisen kentän. Tämä kenttä voi tietyissä oloissa häiritä aktiivisia tai passiivisia lääketieteellisiä apuvälineitä. Vakavan vammautumisen tai jopa kuoleman vaaran takia suosittelemme, että tällaisia apuvälineitä käyttävät henkilöt varmistavat ennen tämän laitteen käyttämistä lääkäritään tai apuvälineensä valmistajalta, että laitteen käyttäminen on turvallista.



**VAROITUS:** Mitä tahansa työkalua käytettäessä on mahdollista, että käyttäjän silmiin lentää vierasesineitä, jotka voivat aiheuttaa vakavan silmävaurion. Ennen kuin aloitat työkalun käyttämisen, pue sivusuojilla varustetut suojalasit päällesi tai käytä kasvosuojusta tarvittaessa. Suosittelemme kasvot peittävää suojusta silmälasien päällä käytettäväksi tai tavallisia sivusuojilla varustettuja suojalaseja.

- 1) Lue ohjeet huolellisesti. Perehdy laitteen säätimiin ja asianmukaiseen käyttöön.
- 2) Älä anna lasten tai näihin ohjeisiin perehtymättömien henkilöiden käyttää ruohonleikkuria. Paikallisissa määräyksissä saatetaan asettaa laitteen käytölle vähimmäisikärajaa.
- 3) Ruohonleikkuria ei saa koskaan käyttää, kun lähistöllä on muita henkilöitä (etenkin lapsia) ja lemmikkieläimiä.
- 4) Muista, että käyttäjä vastaa tapaturmista tai vahingoista, jotka hän aiheuttaa muille ihmisille tai heidän omaisuudelleen.

- 5) Käytä ruohoa leikatessasi aikana aina tukevia jalkineita ja pitkiä housuja. Älä käytä laitetta paljain jaloin tai sandaalit jalassa.
- 6) Tutki leikattava alue huolellisesti ja poista kaikki sellaiset esineet ja kappaleet, jotka voivat sinkoutua ruohonleikkurista.
- 7) Tarkista ennen käyttöä silmämääräisesti, että terät, terien pultit ja leikkuuksikkö eivät ole kuluneet tai vaurioituneet. Vaihda kaikki vioittuneet tai kuluneet terät ja ruuvit yhdellä kertaa.
- 8) Leikkaa vain päivänvalossa tai kirkaassa keinovalossa.
- 9) Vältä märän nurmikon leikkaamista mahdollisuksien mukaan.
- 10) Varmista aina tukeva jalansija, kun leikkaat nurmikkoa rinteessä.
- 11) Kävele, älä juokse.
- 12) Leikkaa nurmikko rinteessä aina poikittaissuuntaan, älä koskaan ylös ja alas.
- 13) Ole erityisen varovainen vaihtaessasi suuntaa rinteissä.
- 14) Älä leikkaa nurmikkoa liian jyrkissä rinteissä.
- 15) Ole erityisen varovainen kääntäessäsi tai vetäessäsi ruohonleikkuria itseäsi kohti.
- 16) Pysäytä terä, jos ruohonleikkuria on tarpeen kallistaa ruohottomia alueita yliettäessä, sekä silloin, kun siirrä sitä leikattavalle nurmialueelle ja takaisin.
- 17) Älä koskaan käytä ruohonleikkuria, jos suojukset ovat vioittuneet tai jos turvalaitteet, kuten visuoijat ja/tai ruohonkeräimet, eivät ole paikallaan.
- 18) Käynnistä moottori ohjeiden mukaisesti ja pidä jalkasi poissa terien ulottuvilta.
- 19) Älä kallista ruohonleikkuria moottorin käynnistyksen aikana, ellei se ole käynnistyksen kannalta aivan välttämätöntä. Jos kallistaminen on välttämätöntä, kallista leikkuria mahdollisimman vähän ja kohota vain käyttäjänsä nähden kauimpana olevaa puolta.
- 20) Älä käynnistä moottoria seisossasi poistokourun edessä.
- 21) Älä pane käsiäsi tai jalkojasi pyörievien osien alle tai lähelle. Jätä poistoaukko aina esteettömäksi.
- 22) Älä nosta tai kuljeta ruohonleikkuria moottorin käydessä.
- 23) Sammuta moottori ja irrota pistoke
  - ennen tukkeumien selvittämistä tai kourun puhdistamista
  - ennen ruohonleikkurin tarkastamista, puhdistamista tai kunnossapitoa
  - laitteen osuttua vierasesineeseen. Tarkasta ruohonleikkuri vaurioiden varalta ja korjaa mahdolliset viat, ennen kuin käynnistät sen uudelleen.
  - jos ruohonleikkuri alkaa täristä epänormaalisti (tutki heti tärinän syy).
- 24) Pysäytä ruohonleikkuri
  - aina, kun poistut ruohonleikkurin luota.
- 25) Varmista leikkurin käyttöturvallinen kunto tarkistamalla, että kaikki mutterit, pultit ja ruuvit ovat tiukasti kiinni.
- 26) Tarkasta ruohonkeräin säännöllisesti kulumisen ja vaurioiden varalta.
- 27) Vaihda kuluneet tai vioittuneet osat turvallisuussyistä.
- 28) Älä käytä ruohonleikkuria, jos sen johdot ovat vioittuneet tai kuluneet.
- 29) Älä kytke vioittunutta johtoa virtalähteeseen tai kosketa vioittunutta johtoa, ennen kuin se on kytketty irti virtalähteestä. Vioittunut johto saattaa muodostaa kosketuksen jännitteisiin osiin.
- 30) Älä kosketa terää, ennen kuin kone on irrotettu virtalähteestä ja terä on täysin pysähtynyt.
- 31) Pidä jatkojohdot poissa terän ulottuvilta. Terä voi vaurioittaa johtoja ja muodostaa kosketuksen jännitteisiin osiin.
- 32) Katkaise virta (eli irrota pistoke pistorasiasta)
  - kun poistut koneen luota
  - ennen tukoksen selvittämistä
  - ennen laitteen tarkastamista, puhdistamista tai kunnossapitoa
  - laitteen osuttua vierasesineeseen
  - aina, kun kone alkaa täristä epänormaalisti.
- 33) Lapsia tulee pitää silmällä, jotta he eivät pääse leikkimään laitteella.
- 34) Tämä laite ei ole tarkoitettu lasten tai sellaisten henkilöiden käytettäväksi, joiden fyysiset, sensoriset tai henkiset kyvyt tai kokemuksien tai tiedon puute estävät heitä käyttämästä laitetta turvallisesti, ellei heidän turvallisuudestaan vastaava henkilö valvo heitä tai opasta heitä laitteen käytössä.
- 35) Jos virtajohto on vioittunut, se on korvattava valmistajalta tai huoltoliikkeestä saatavalla erikoisjohdolla.
- 36) Laitteen turvallisessa käytössä on huomattava, että laitteeseen on suositeltavaa liittää jäännösvirtalaitte, jonka laukaisuvirta on enintään 30 mA.
- 37) Varo laitteen säätämisen aikana, etteivät sormesi jää pyörievien terien ja laitteen kiinteiden osien väliin.
- 38) Anna laitteen aina jäähtyä riittävästi ennen sen siirtämistä varastoon.
- 39) Kun huollat teriä, muista, että vaikka virta on katkaistu, terät voivat silti liikkua.
- 40) Kuluneet tai vaurioituneet osat on vaihdettava turvallisuussyistä. Käytä vain aitoja varaosia ja tarvikkeita.
- 41) Varo laitteen säätämisen aikana, etteivät sormesi jää pyörievien terien ja laitteen kiinteiden osien väliin.
- 42) Tarkista ennen käyttöä, ettei virtajohdossa tai jatkojohdossa ole merkkejä vioittumisesta tai kulumisesta. Jos johto vioittuu käytön aikana, irrota pistoke pistorasiasta välittömästi. **ÄLÄ KOSKE JOHTOON, ENNEN KUIN PISTOKE ON IRROTETTU PISTORASIASTA.** Älä käytä laitetta, jos johto on vioittunut tai kulunut.
- 43) Vioittuneen virtajohdon saa onnettomuuksien välttämiseksi vaihtaa vain valmistaja, valtuutettu huoltoliike tai vastaavan pätevyyden omaava henkilö.

### 3. OSIEN KUVAUS (kuva 1)

## 4. TEKNISET TIEDOT

Malli:	ELM3311	ELM3711
Nimellisjännite:	230 V~	230 V~
Nimellistaajuus:	50 Hz	50 Hz
Nimellisteho:	1 100 W	1 300 W
Pyörimisnopeus kuormittamattomana:	2 900/min	2 900/min
Leikkausleveys:	330 mm	370 mm
Taattu äänitehotaso:	96 dB (A)	96 dB (A)
L <sub>pA</sub> (SPL) käyttäjän tasolla:	75,4 dB (A), K=3 dB (A)	77,6 dB (A), K=3 dB (A)
Taattu värinätaaso:	0,672 m/s <sup>2</sup> , K=1,5 m/s <sup>2</sup>	0,917 m/s <sup>2</sup> , K=1,5 m/s <sup>2</sup>
Ruuhonkeräimen tilavuus:	27 L	35 L
Nettopaino:	13,1 kg	14,9 kg
Nestesuojaus:	IP24	IP24
Korkeuden säätö:	20/40/55 mm, 3 säätöä	20/40/55 mm, 3 säätöä

## 5. KOKOAMINEN

### 5-1 PYÖRÄN ASENTAMINEN

Työnnä etu- ja takapyörän suojuksen akseli pyörän läpi ja kierrä se pyörän tuennan reikään. **(kuva 2)**



**VAROITUS:** Kaikkien pyörien pitää olla samalla korkeudella.

### 5-2 TAITTUVAN KAHVAN ASENTAMINEN

- Sovita alemmat käsikahvat pohjalevyssä oleviin reikiin ja kiinnitä ne sitten mukana toimitetulla ruuvilla. **(kuva 3, kuva 4, kuva 5)**
- Kytke ylempi ja alempi kahva toisiinsa lukitusvivulla. **(kuva 6, kuva 7)**
- Aseta johto kahvan akselin päälle. Kiinnitä se johdon pitimellä alemman kahvan keskikohdan ympärille siten, että johto tulee kahvan ulkosivulle. Muussa tapauksessa johto voi joutua puristuksiin takakantta avattaessa/suljettaessa. **(kuva 8)**

### 5-3 RUUHONKERÄIMEN ASENTAMINEN

- Kiinnitys: Nosta takakantta ja kiinnitä ruuhonkeräin leikkurin taakse. **(kuva 9, kuva 10, kuva 11)**
- Irrutus: Tartu takakanteen, nosta se ylös ja irrota sitten ruuhonkeräin.

Ruuhonkeräimen päällä on tason ilmaisin, joka osoittaa, onko keräin tyhjä vai täysi **(kuva 12A, kuva 12B)**:

- Tason ilmaisin nousee ylös, jos keräin ei ole täynnä leikkaamisen aikana. **(kuva 12B)**
- Jos keräin on täynnä, ilmaisin laskeutuu alas. Jos niin tapahtuu, lopeta leikkaaminen heti ja tyhjennä keräin. Tarkista, että keräin on puhdas ja sen verkko ole tukkeutunut. **(kuva 12A)**

### TÄRKEÄÄ

Jos ilmaisimen aukko on hyvin likainen, ilmaisin ei nouse ylös. Puhdista silloin ilmaisimen aukko viipymättä.

## 6. LEIKKAUSKORKEUDEN SÄÄTÄMINEN

Leikkauskorkeutta säädetään kiinnittämällä pyörät sopiviin reikiin.

Kaikkien pyörien pitää olla samalla korkeudella.

Korkeudeksi (terän korkeudeksi maanpinnasta) voi säätää 20–55 mm (kolme asentoa). **(kuva 13)**

Matalin asento: 20 mm (asento (1)), keskimmainen asento: 40 mm (asento (2)), korkein asento: 55 mm (asento (3)).



**VAROITUS:** Irrota sähköjohto virtalähteestä.



**VAROITUS:** Säädä korkeutta vasta sitten, kun terä on pysähtynyt.

## 7. TURVALLISUUSOHJEET

- Varmista aina, että kivisuoja tai ruuhonkeräin on asianmukaisesti kiinnitetty.
- Pysäytä moottori ennen ruuhonkeräimen irrottamista tai leikkauskorkeuden säätämistä.
- Poista ennen leikkaamista nurmikolta kaikki vierasesineet, jotka voivat sinkoutua ruuhonleikkurista. Tarkkailu ympäristöä leikkaamisen aikana ja poista mahdolliset huomaamatta jääneet vierasesineet. **(kuva 14)**
- Älä koskaan nosta ruuhonleikkurin takaosaa moottoria käynnistettäessä tai normaalin käytön aikana. **(kuva 15)**
- Älä koskaan työnnä kättäsi pohjalevyn alle tai takana olevaan poistokouruun moottorin käydessä. **(kuva 16)**

## 8. KÄYNNISTYS

Varmista ennen ruuhonleikkurin kytkemistä sähköverkkoon, että verkon jännite on 230 V ~ 50 Hz.

Kiinnitä jatkojohto johdonpidikkeeseen ennen ruuhonleikkurin käynnistämistä. **(kuva 17)**

Kun ruuhonleikkuriin on kytketty virta, merkivalo syttyy. **(kuva 18)**

Käynnistä moottori seuraavassa kerrotulla tavalla. (kuva 19)

- Paina turvakosketinta (1).
- Pidä samalla samalla kytkinkahvaa (2) puristettuna. Työnnä ruohonleikkuria, kun moottori on käynnissä. Moottori pysähtyy, kun vapautat kytkinkahvan.



**HUOMIO:** Terä alkaa pyöriä heti, kun moottori käynnistetään.



**VAROITUS:** Leikkuuterät jatkavat pyörimistä moottorin sammuttamisen jälkeen.

## 9. TERÄ

Terä on valmistettu puristetusta teräslevystä. Se on tarpeen hioa säännöllisin väliajoin (hiomalakalla). Varmista, että terä on tasapainossa (tasapainottoman terä aiheuttaa vaarallista tärinää). Tarkista tasapaino asettamalla keskireikään pyöreä tanko ja tukemalla terä vaaka-asentoon. (kuva 20) Tasapainotettu terä pysyy vaaka-asennossa. Jos terä ei ole tasapainossa, painava pää kiertyy alaspäin. Teroita painava pää uudelleen, kunnes terä on tasapainossa. (kuva 21) Irrota terä (2) avaamalla terän ruuvi (3). (kuva 22, kuva 23, kuva 24) Tarkasta tuulettimen (1) kunto ja vaihda mahdolliset voittuneet osat. (kuva 22) Varmista uudelleen kokoamisen yhteydessä, että leikkaavat särmät osoittavat moottorin pyörimissuuntaan. Terän ruuvin (3) kiristysmomentti on 20–25 Nm.



**VAROITUS:** Vaihda terä huollettaessa ainoastaan seuraaviin: MAKITA 263001422 (ELM3311-malli) ja MAKITA 263001414 (ELM3711-malli).

## 10. JATKOJOHDOT

Käytä vain tavalliseen ulkokäyttöön tarkoitettuja jatkojohtoja, joiden poikkipinta-ala on vähintään 1,0 mm<sup>2</sup>. Tarkista ennen käyttöä, että virta- ja jatkojohdoissa ei näy merkkejä vaurioista. Katkaise virta, jos johdossa näkyy merkkejä viroittumisesta tai ikäänäntymisestä. Jos johto viroittuu käytön aikana, irrota pistoke pistorasiasta välittömästi. ÄLÄ KOSKE JOHTOON, ENNEN KUIN PISTOKE ON IRROTETTU PISTORASIESTA. Älä käytä laitetta, jos johto on viroittunut tai kulunut. Pidä jatkojohto poissa leikkuuterien ulottuvilta.



**VAROITUS:** Varmista, etteivät ilmanvaihtaukot tukkeudu.

## 11. HUOLTO JA KUNNOSSAPITO



**VAROITUS:** Irrota aina virtajohto pistorasiasta ennen mitään huolto- tai puhdistustoimenpiteitä. Älä suihkuta laitetta vedellä. Veden sisään pääsy voi tuhota kytkin-pistokeyksikön ja sähkömoottorin. Puhdista laite kankaalla, harjalla tms.

**Asiantuntijan tekemä tarkastus on tietyissä tapauksissa välttämätön. Älä tee itse minkäänlaisia säätöjä, vaan ota yhteys Makitan valtuutettuun huoltoliikkeeseen seuraavassa tilanteissa:**

- Ruohonleikkuri osuu kovaan esineeseen.
- Moottori pysähtyy yllättäen.
- Terä on vääntynyt (älä suorista itse).
- Moottorin akseli on vääntynyt (älä suorista itse).
- Johdon kytkeminen aiheuttaa oikosulun.
- Rattaat vaurioituvat.
- Kiilalahina on viallinen.

## 12. VIANMÄÄRITYS



**VAROITUS:** Irrota aina virtajohto pistorasiasta ja odota, että leikkuri pysähtyy, ennen kuin teet mitään huolto- tai puhdistustoimenpiteitä.

Vika	Korjaava toimenpide
Moottori ei käy	Tarkista virtajohto. Käynnistä lyhyellä nurmikolla tai kohdassa, joka on jo leikattu. Puhdista poistokouru/runko. Terän pitää pyöriä vapaasti. Korjaa leikkauskorkeus.
Moottorin teho laskee	Korjaa leikkauskorkeus. Puhdista poistokouru/runko. Teroituta tai vaihdata leikkuuterä valtuutetussa huoltoliikkeessä.
Ruohonkeräin ei täyty	Korjaa leikkauskorkeus. Anna nurmikon kuivua. Teroituta tai vaihdata leikkuuterä valtuutetussa huoltoliikkeessä. Puhdista ruohonkeräimen ritilä. Puhdista poistokouru/runko.
Pyöräveto ei toimi	Säädä taipuisaa vaijeria. Tarkistuta kiilalahina/rattaat valtuutetussa huoltoliikkeessä. Tarkista, ettei vetopyörissä ole vaurioita.



**HUOMIO:** Viat, joita ei pystytä korjaamaan tämän taulukon avulla, on annettava Makitan valtuutetun huoltoliikkeen korjattaviksi.

## 13. YMPÄRISTÖYSTÄVÄLLINEN HÄVITTÄMINEN



Sähkö- ja elektroniikkalaiteromua koskevan EU-direktiivin 2002/96/EY ja sen maakohtaisten sovellusten mukaisesti käytetyt sähkötyökalut on toimitettava erillisiin keräyspisteisiin ja ohjattava ympäristöystävälliseen kierrätykseen.

Vaihtoehtoinen hävittäminen: Jos sähkötyökalun omistaja ei palauta työkalua valmistajalle, hän vastaa sen toimittamisesta asianmukaiseen keräyspisteeseen, josta laite käsitellään kierrätystä varten kansallisten kierrätyslakien ja -määräysten mukaisesti. Yllä sanottu ei koske lisävarusteita ja työkaluja, joissa ei ole sähkö- tai elektroniikkaosia.



**Koskee vain Euroopan maita  
EY-vaatimustenmukaisuusvakuutus  
Vastuullinen valmistaja Makita Corporation ilmoittaa  
vastaavansa siitä, että seuraava(t) Makitan  
valmistama(t) kone(et):**

Laitteen tunnistetiedot: Ruohonleikkuri

Mallinro/tyyppi: ELM3311, ELM3711

Tekniset tiedot: Katso luku 4 "TEKNISET TIEDOT" ovat sarjavalmisteisia ja

**täyttävät seuraavien eurooppalaisten direktiivien  
vaatimukset:**

2004/108/EY, 2006/42/EY, 2000/14/EY & 2005/88/  
EY, 2006/95/EY

ja että ne on valmistettu seuraavien standardien tai  
standardoitujen asiakirjojen mukaisesti:

EN 60335, EN 62233, EN 55014, EN 61000

Teknisen dokumentaation ylläpidosta vastaa:

Makita International Europe Ltd.,

Michigan Drive, Tongwell,

Milton Keynes, MK15 8JD, England

Direktiivissä 2000/14/EY edellytetty

vaatimustenmukaisuusarviointi tehtiin liitteen VI  
mukaisesti.

Ilmoitettu laitos:

TÜV SÜD Industrie Service GmbH

Westendstraße 199, D-80686 München

Tunnistenumero: 0036

Malli: ELM3311

Mitattu äänitehotaso: 87,7 dB (A)

Taattu äänitehotaso: 96 dB (A)

Malli: ELM3711

Mitattu äänitehotaso: 91,0 dB (A)

Taattu äänitehotaso: 96 dB (A)

30. 11. 2012



Tomoyasu Kato

Johtaja

Makita Corporation

3-11-8, Sumiyoshi-cho,

Anjo, Aichi, 446-8502, JAPAN

- |                       |                                |                               |
|-----------------------|--------------------------------|-------------------------------|
| 1. Augšējais rokturis | 9. Priekšējais ritenis         | 17. Priekšējā riteņa vāks     |
| 2. Slēdža kārba       | 10. Motora pārsegs             | 18. Priekšējais ritenis       |
| 3. Drošības spiedpoga | 11. Apakšējais rokturis        | 19. Priekšējā riteņa atbalsts |
| 4. Bloķēšanas svira   | 12. Kabeļa āķis                | 20. Aizmugures vāks           |
| 5. Kabeļa skava       | 13. Slēdža rokturis            | 21. Līmeņa indikators         |
| 6. Zāles uztvērējs    | 14. Aizmugures riteņa vāks     | 22. Indikatora gaisma         |
| 7. Aizmugures ritenis | 15. Aizmugures ritenis         |                               |
| 8. Korpusa apakšdaļa  | 16. Aizmugures riteņa atbalsts |                               |

## PĀRZINI IZMANTOTO ZĀLES PĻAUJMAŠĪNU

Uzmanīgi izlasiet šo rokasgrāmatu un pirms, pēc lietošanas, kā arī lietošanas laikā, un ievērojiet sniegtos drošības norādījumus. Šo vienkāršo norādījumu ievērošana nodrošinās zāles pļaujmašīnas uzturēšanu labā darba kārtībā. Pirms pļaujmašīnas iedarbināšanas iepazīstieties ar tās vadības iekārtām, un vispirms noskaidrojiet, kā izslēgt zāles pļaujmašīnu ārkārtas gadījumā. Saglabājiet šo lietošanas rokasgrāmatu un citus pļaujmašīnas dokumentus turpmākai uzziņai.

### 1. UZ IZSTRĀDĀJUMA ESOŠIE SIMBOLI



Pirms zāles pļaujmašīnas izmantošanas uzmanīgi izlasiet šo lietošanas rokasgrāmatu un glabājiet to drošā vietā turpmākai uzziņai.



Neļaujiet tuvumā atrasties nepiederošām personām.



Sargieties no asiem asmeņiem.



Izņemiet kontaktdakšu no mašīnas pirms apkopes vai, ja vads ir bojāts.



Neturiet elektrības vadu griežējasmēņu tuvumā.



**DROŠĪBAS BRĪDINĀJUMA SIMBOLS:**  
Pievērs uzmanību vai brīdina, un to izmanto kopā ar citiem simboliem un attēliem.

### DUBULTA IZOLĀCIJA



Pļaujmašīnai ir dubulta izolācija.

Tas nozīmē, ka visas iekšējās daļas ir elektriski izolētas no elektroapgādes tīkla. To panāk ar papildu izolācijas barjeras ierīkošanu starp elektriskajām un mehāniskajām daļām.

## 2. VISPĀRĒJIE DARBA DROŠĪBAS NOTEIKUMI

Drošības noteikumu mērķis ir pievērst jūsu uzmanību iespējamām briesmām. Jums jāpievērš īpaša uzmanība drošības simboliem un to skaidrojumiem un tie jāizprot. Drošības brīdinājumi kā tādi nemazina briesmas. Norādījumi vai brīdinājumi, ko tie sniedz, neaizstāj pareizus negadījumu novēršanas pasākumus.



**BRĪDINĀJUMS:** Drošības brīdinājuma neievērošana var izraisīt nopietnus ievainojumus lietotājam vai citiem. Vienmēr ievērojiet drošības pasākumus, lai mazinātu ugunsgrēka, elektriskās strāvas trieciena un personas ievainojumu risku. Saglabājiet lietošanas rokasgrāmatu un izskatiet to laiku pa laiku, lai iepazītos ar instrumenta drošu lietošanu un apmācītu citus, kas varētu lietot šo instrumentu.



**BRĪDINĀJUMS:** Šī mašīna ekspluatācijas laikā rada elektromagnētisko lauku. Atsevišķos gadījumos šis lauks var ietekmēt aktīvos vai pasīvos medicīniskos implantātus. Lai samazinātu nopietnu un nāvīgu ievainojumu risku, personām ar medicīniskiem implantātiem pirms mašīnas lietošanas mēs iesakām konsultēties ar savu ārstu un medicīnisko implantātu ražotāju.



**BRĪDINĀJUMS:** Darbarīka darbības laikā jūsu acis var iekļūt svešķermeņi, kas var izraisīt nopietnus acu bojājumus. Pirms sākt lietot darbarīku, uzlieciet aizsargbrilles vai brilles ar sānu aizsargiem un sejas masku, kad tas nepieciešams. Mēs iesakām izmantot plata leņķa aizsargmasku virs aizsargbrillēm vai standartā aizsargbrilles ar sānu aizsargiem.

- 1) Uzmanīgi izlasiet norādījumus. Iepazīstieties ar ierīces vadības iekārtām un pareizu izmantošanu.
- 2) Nepieļaujiet, ka zāles pļaujmašīnu izmanto bērni vai cilvēki, kas nepārzina zāles pļaujmašīnas izmantošanas norādījumus. Vietējie noteikumi var ierobežot lietotāja vecumu.
- 3) Nekad nepļaujiet, ja tuvumā ir cilvēki, jo īpaši bērni, vai dzīvnieki.
- 4) Ņemiet vērā, ka operators vai lietotājs ir atbildīgs par negadījumiem vai apdraudējumu, kas radīts citiem cilvēkiem vai to īpašumam.

- 5) Veicot zāles pļaušanu, vienmēr valkājiet izturīgus apavus un garās bikses. Nelietojiet ierīci, ja kājās nav apavi vai valkājāt atvērtas sandales.
- 6) Rūpīgi pārbaudiet vietu, kurā izmantosit aprīkojumu un novāciet visus priekšmetus, ko mašīna varētu izkustināt.
- 7) Pirms izmantošanas vienmēr vizuāli pārbaudiet, vai asmeņi, asmeņu bultskrūves un griešanas ierīce nav nodilusi vai bojāta. Lai saglabātu līdzsvaru, nomainiet visu bojātu asmeņu un bultskrūvju komplektu.
- 8) Pļaujiet tikai dienas gaismā vai labā mākslīgā apgaismojumā.
- 9) Kur iespējams, nelietojiet aprīkojumu mitrā zālē.
- 10) Strādājot nogāzē, nodrošiniet stabilu kāju atbalstu.
- 11) Pārvietojieties staigājot, nevis skrienot.
- 12) Izmantojot grozāmu mašīnu ar riteņiem, pļaujiet slīpi pāri nogāzei — nekad nepļaujiet uz augšu vai uz leju.
- 13) Mainot virzienu nogāzēs, esiet īpaši uzmanīgi.
- 14) Nepļaujiet pārāk stāvas nogāzes.
- 15) Esiet īpaši uzmanīgi, apgriežot zāles pļaujmašīnu vai velkot to pret sevi.
- 16) Apturiet asmeni, ja zāles pļaujmašīna ir jāsgaž, pārvietojiet vai šķērsojot segumu, kas nav zāle, kā arī pārvietojot zāles pļaujmašīnu uz pļaušanas vietu un no tās.
- 17) Nekad nelietojiet zāles pļaujmašīnu ar bojātiem aizsargiem, vai ja nav uzstādītas drošības ierīces, piemēram, deflektors un/vai zāles uztvērējs.
- 18) Motoru iedarbiniet uzmanīgi, saskaņā ar norādījumiem un nestāviet asmeņu tuvumā.
- 19) Sākot iedarbināt motoru, nesagāziet zāles pļaujmašīnu, ja vien zāles pļaujmašīnu nav nepieciešams sagāzt, lai iedarbinātu. Šādā gadījumā sagāziet to ne vairāk, kā nepieciešams, un tikai to daļu, kas nav lietotāja tuvumā.
- 20) Neiedarbiniet motoru, ja stāvat izlaides teknes tuvumā.
- 21) Nelieciet plaukstu vai pēdas rotējošo detaļu tuvumā vai zem tām. Nekad nestāviet izvades atveres tuvumā.
- 22) Nekad neceliet un nenesiet zāles pļaujmašīnu, ja darbojas motors.
- 23) Apturiet motoru un atvienojiet kontaktdakšas:
  - pirms nosprostojumu tīrīšanas vai izlaides teknes tīrīšanas;
  - pirms zāles pļaujmašīnas pārbaudīšanas, tīrīšanas vai strādāšanas ar to;
  - pēc atsišanās pret kādu priekšmetu. Pārbaudiet, vai zāles pļaujmašīnai nav bojājumu un veiciet remontu pirms zāles pļaujmašīnas atkārtotas iedarbināšanas un lietošanas;
  - ja zāles pļaujmašīna sāk neparasti vibrēt (nekavējoties pārbaudiet).
- 24) Apturiet pļaujmašīnu:
  - ja atstājat zāles pļaujmašīnu bez uzraudzības.
- 25) Vienmēr cieši pieskrūvējiet visus uzgriežņus, bultskrūves un skrūves, lai nodrošinātu iekārtas drošu darbu stāvokli.
- 26) Regulāri pārbaudiet, vai zāles uztvērējs nav nodilis vai nolietojies.
- 27) Drošības nolūkā nomainiet nodilušas vai nolietotas daļas.
- 28) Neizmantojiet zāles pļaujmašīnu, ja ir bojāti vai nolietoti vadi.
- 29) Nepievienojiet bojātu vadu elektrības padevei un nepieskarieties bojātam vadam pirms tā atvienošanas no strāvas padeves. Bojāts vads var saskarties ar daļām, caur kurām plūst elektrība.
- 30) Nepieskarieties asmenim, pirms mašīna ir atvienota no stāvas padeves un pirms asmens ir pilnībā apstājies.
- 31) Neturiet pagarinātāju asmens tuvumā. Asmens var radīt bojājumus vadiem un likt saskarties ar daļām, caur kurām plūst elektrība.
- 32) Atvienojiet no strāvas padeves (piemēram, izņemot kontaktdakšu no kontaktilgzdas):
  - atstājot mašīnu bez uzraudzības;
  - pirms nosprostojuma tīrīšanas;
  - pirms mašīnas pārbaudīšanas, tīrīšanas vai strādāšanas ar to;
  - pēc atsišanās pret kādu priekšmetu;
  - ja mašīna sāk neparasti vibrēt.
- 33) Bērni ir jāuzrauga, lai nepieļautu bērnu rotaļāšanos ar iekārtu.
- 34) Šī iekārta nav paredzēta, lai to izmantotu personas (tajā skaitā bērni) ar samazinātām fiziskām, sensoriskām vai psihiskām spējām, vai kam trūkst pieredzes un zināšanu, ja tām nav nodrošināta uzraudzība un sniegti norādījumi par iekārtas izmantošanu, ko sniegusi persona, kas atbildīga par to drošību.
- 35) Ja strāvas vads ir bojāts, tas jānomaina pret īpašu vadu vai vada ierīci, kas pieejama pie ražotāja vai tā pie tā servisa aģenta.
- 36) Norādījumi šīs iekārtas drošai izmantošanai ietver norādījumu iekārtas aprīkošanai ar noplūdes strāvas aizsardzības ierīci (RCD - Residual Current Device) ar ne vairāk kā 30 mA atvienošanas strāvu.
- 37) Esiet uzmanīgi, regulējot mašīnu, lai neļautu pirkstiem iesprūst starp mašīnas kustīgiem asmeņiem un fiksētām daļām.
- 38) Pirms mašīnas uzglabāšanas vienmēr ļaujiet tai atdzist.
- 39) Veicot apkopi asmeņiem, ņemiet vērā, ka, lai gan strāvas avots ir izslēgts, asmeņus joprojām var pakustināt.
- 40) Drošības nolūkā nomainiet nodilušas vai nolietotas daļas; izmantojiet tikai oriģinālās rezerves daļas un piederumus.
- 41) Esiet uzmanīgi, regulējot ierīci, lai neļautu pirkstiem iesprūst starp ierīces kustīgiem asmeņiem un fiksētām daļām.
- 42) Pirms lietošanas pārbaudiet, vai elektroapgādes un pagarinātāja vads nav bojāts vai nodilis. Ja lietošanas laikā vadu sabojā, nekavējoties atvienojiet vadu no elektrības tīkla. NEPIESKARIETIES VADAM PIRMS TĀ ATVIENOŠANAS NO ELEKTRĪBAS TĪKLA. Neizmantojiet ierīci, ja vads ir bojāts vai nodilis.
- 43) Ja elektrības vads ir bojāts, to drīkst nomainīt ražotājs, ražotāja servisa pārstāvis vai līdzīgi kvalificētas personas, lai nepieļautu kaitējumu.

### 3. DAĻU APRAKSTS (1. att.)

## 4. TEHNISKIE DATI

Modelis	ELM3311	ELM3711
Nominālais spriegums	230 V~	230 V~
Nominālā frekvence	50 Hz	50 Hz
Nominālā jauda	1 100 W	1 300 W
Brīvgaitas ātrums	2 900/min	2 900/min
Pļaušanas dziļums	330 mm	370 mm
Garantētais skaņas jaudas līmenis	96 dB (A)	96 dB (A)
$L_{pA}$ (skaņas spiediena līmenis) darbavietā	75,4 dB (A), K=3 dB (A)	77,6 dB (A), K=3 dB (A)
Garantētā vibrācija	0,672 m/s <sup>2</sup> , K=1,5 m/s <sup>2</sup>	0,917 m/s <sup>2</sup> , K=1,5 m/s <sup>2</sup>
Zāles uztvērēja ietilpība	27 l	35 l
Neto svars	13,1 kg	14,9 kg
Aizsardzības pret šķidrumu pakāpe	IP24	IP24
Augstuma regulēšana	20/40/55 mm, 3 stāvokļi	20/40/55 mm, 3 stāvokļi

## 5. MONTĀŽA

### 5-1 RITENĀ MONTĀŽA

Ievietojiet priekšējā un aizmugures vāku asi ritenī un ieskrūvējiet asi riteņa atbalsta atverē. **(2. att.)**



**BRĪDINĀJUMS:** Visiem riteņiem jābūt vienādā augstumā.

### 5-2 SALOKĀMĀ ROKTURA MONTĀŽA

- A) Ievietojiet apakšējos stieņus korpusa apakšdaļas fiksētajās atverēs un, izmantojot skrūvgriezi, piestipriniet ar komplektā iekļauto skrūvi. **(3. att., 4. att., 5. att.)**
- B) Savienojiet augšējo rokturi un apakšējo rokturi ar bloķēšanas sviru. **(6. att., 7. att.)**
- C) Novietojiet kabeli pāri roktura asij. Ar kabēļa skavu piestipriniet kabeli apakšējā roktura vidusdaļā tā, lai kabelis ir piestiprināts roktura ārpusē. Pretējā gadījumā kabelis var iesprūst, atverot/aizverot aizmugures vāku. **(8. att.)**

### 5-3 ZĀLES UZTVĒRĒJA MONTĀŽA

- Lai uzstādītu: paceliet aizmugures vāku un piestipriniet zāles uztvērēju pie pļaujmašīnas aizmugures. **(9. att., 10. att., 11. att.)**
  - Lai noņemtu: satveriet un paceliet aizmugures vāku un noņemiet zāles uztvērēju.
- Zāles uztvērēja augšpusē atrodas līmeņa indikators, kas norāda, vai uztvērējs ir tukšs vai pilns **(12A att., 12B att.)**:
- Līmeņa indikators paceļas, ja uztvērējs pļaušanas laikā nav pilns. **(12B att.)**
  - Ja zāles uztvērējs ir pilns, indikators nolaižas. Ja tā notiek, nekavējoties pārtrauciet pļaušanu un iztukšojiet uztvērēju, pārliecinieties, vai tas ir tīrs un pārbaudiet, vai tas tiek vēdināts. **(12A att.)**

### SVARĪGI

Ja indikatora atvērums ir ļoti neliels, indikators nepacelsies. Šādā gadījumā nekavējoties notīriet indikatora atvērums vietu.

## 6. PĻAUŠANĀS AUGSTUMA NĒREGULĒŠANA

Pļaušanas augstumu regulē, piestiprinot riteņus nepieciešamajai atverei.

Visiem riteņiem jābūt vienādā augstumā.

Augstumu (asmens attālumu no zemes) var regulēt no 20 mm līdz 55 mm (3 augstuma stāvokļi). **(13. att.)**

Zemākais stāvoklis: 20 mm (stāvoklis (1)); vidējais stāvoklis: 40 mm (stāvoklis (2)); augstākais stāvoklis: 55 mm (stāvoklis (3)).



**BRĪDINĀJUMS:** Atvienojiet elektrības vadu no strāvas padeves.



**BRĪDINĀJUMS:** Šo regulēšanu veiciet tikai pēc asmens pilnīgas apstāšanās.

## 7. DROŠĪBAS PASĀKUMI

- Vienmēr strādājiet ar pareizā stāvoklī uzstādītu defektoru vai zāles uztvērēju.
- Pirms zāles uztvērēja noņemšanas vai pļaušanas stāvokļa noregulēšanas vienmēr apturiet motoru.
- Pirms pļaušanas no zālāja novāciet visus priekšmetus, ko mašīna varētu izkustināt. Pļaujot uzmanieties no priekšmetiem, kas varētu nebūt pamanīti. **(14. att.)**
- Iedarbinot motoru vai parastas ekspluatācijas laikā neceliet pļaujmašīnas aizmuguri. **(15. att.)**
- Motora darbības laikā nenovietojiet rokas zem korpusa apakšdaļas un neievietojiet rokas izlaides tehnē. **(16. att.)**

## 8. IEDARBINĀŠANA

Pirms zāles pļaujmašīnas pievienošanas elektroapgādes tīklam, pārbaudiet, vai elektroapgādes tīkla spriegums ir 230 V ~ 50 Hz.

Pirms pļaušanas sākšanas nostipriniet pagarinātāju kabēļa āķī. **(17. att.)**

Kad zāles pļaujmašīna ir ieslēgta, izgaismojas indikatora gaisma. (18. att.)

Motoru iedarbiniet šādi. (19. att.)

- Nospiediet drošības spiedpogu (1).
- Vienlaicīgi pavelciet slēdža rokturi (2) un turiet to nospiestu.

Kamēr motors darbojas, manuāli pārvietojiet zāles pļaujmašīnu.

Atlaižot slēdža rokturi, motors apstāties.



**UZMANĪBU:** Asmens sāk griezties, tiklīdz motors ir iedarbināts.



**BRĪDINĀJUMS:** Griezējelementi turpina griezties arī pēc motora izslēgšanas.

## 9. ASMENS

Asmens ir izgatavots no štancētā tērauda. Tam nepieciešams bieži atjaunot formu (ar slīpripu).

Nodrošiniet, lai tas vienmēr būtu balansēts (nebalansēts asmens rada bīstamas vibrācijas). Lai pārbaudītu, vai asmens ir balansēts, galvenajā atverē ievietojiet apalu stieni un horizontāli atbalstiet asmeni. (20. att.) Balansēts asmens paliek horizontālā stāvoklī. Ja asmens nav balansēts, smagais gals pagriezīsies uz leju. Atjaunojiet smagā gala formu, līdz asmens ir balansēts. (21. att.) Lai noņemtu asmeni (2), atskrūvējiet asmens skrūvi (3). (22. att., 23. att., 24. att.)

Pārbaudiet ventilatora (1) stāvokli un nomainiet bojātās daļas. (22. att.)

Montāžas laikā nodrošiniet, lai griezējšķautnes atrodas motora rotācijas virzienā. Asmens skrūve (3) jāpieskrūvē līdz 20–25 Nm griezes momentam.



**BRĪDINĀJUMS:** Apkopes laikā asmeni nomainiet tikai pret MAKITA 263001422 (paredzēts ELM3311) un MAKITA 263001414 (paredzēts ELM3711).

## 10. PAGARINĀTĀJI

Izmantojiet tikai tādus pagarinātājus, kas paredzēti izmantošanai ārpus telpām, parastai slodzei, ar šķērsgriezuma laukumu, kas nav mazāks par 1,0 mm<sup>2</sup>. Pirms lietošanas pārbaudiet, vai elektroapgādes un pagarinātāja vadam nav bojājumi, kas radušies lietošanas laikā. Atvienojiet vadu, ja tam ir bojājuma vai nodiluma pazīmes. Ja lietošanas laikā vadu sabojā, nekavējoties atvienojiet vadu no elektrības tīkla. NEPIESKARIETIES VADAM PIRMS TĀ ATVIENOŠANAS NO ELEKTRĪBAS TĪKLA. Neizmantojiet ierīci, ja vads ir bojāts vai nodilis. Neturiet vadu griezējelementu tuvumā.



**BRĪDINĀJUMS:** Vienmēr nodrošiniet, lai ventilācijas atverēs nav netīrumi.

## 11. APKOPE UN APRŪPE



**BRĪDINĀJUMS:** Pirms apkopes vai tīrīšanas veikšanas vienmēr atvienojiet tīkla kontaktdakšu! Neaplejšiet iekārtu ar ūdeni. Iekļuvis ūdens var iznīcināt slēdža-kontaktilgizdas savienojuma ierīci un elektromotoru. Notīriet iekārtu ar lupatīņu, rokas birstīti u. c.

**Apkate jāveic speciālistam — neveiciet regulēšanu saviem spēkiem. Sazinieties ar pilnvarotu Makita apkopes centru:**

- ja zāles pļaujmašīna atsitās pret priekšmetu;
- ja motors negaidīti apstājas;
- ja tiek saliekts asmens (nemēģiniet iztaisnot!);
- ja tiek saliekta motora vārpsta (nemēģiniet iztaisnot!);
- ja, pievienojot kabeli, rodas īssavienojums;
- ja bojāti mehānismi;
- ja bojāta V veida sikсна.

## 12. PROBLĒMU NOVĒRŠANA



**BRĪDINĀJUMS:** Pirms veikt apkopi vai tīrīšanu vienmēr atvienojiet kontaktdakšu no elektroapgādes tīkla un pagaidiet, līdz griešanas ierīce apstājas.

Bojājums	Risinājums
Motors nedarbojas	Pārbaudiet elektroapgādes tīkla kabeli. Sāciet īsā zālē vai laukumā, kas jau ir nopļauts. Izfīriet izlaides kanālu/korpusu — pļaušanas asmenim brīvi jāgriežas. Mainiet pļaušanas augstumu.
Samazinās motora jauda	Mainiet pļaušanas augstumu. Izfīriet izlaides kanālu/korpusu. Atkārtoti uzasiniet/nomainiet pļaušanas asmeni → pilnvarotā apkopes centrā.
Zāles uztvērējs nav piepildīts	Mainiet pļaušanas augstumu. Ļaujiet zālājam nožūt. Atkārtoti uzasiniet/nomainiet pļaušanas asmeni → pilnvarotā apkopes centrā. Notīriet zāles uztvērēja režģi. Izfīriet izlaides kanālu/korpusu.
Nedarbojas riteņu piedziņa	Noregulējiet elastīgo kabeli. Pārbaudiet V veida siksnu/mehānismus → pilnvarotā apkopes centrā. Pārbaudiet, vai riteņu piedziņai nav bojājumu.



**UZMANĪBU:** Problēmas, ko nevar novērst, izmantojot šo tabulu, iespējams novērst tikai pilnvarotā Makita apkopes centrā.

## 13. VIDEI NEKAITĪGA LIKVIDĒŠANA



Saskaņā ar ES Direktīvu 2002/96/EK par elektrisko un elektronisko iekārtu atkritumiem un tās ieviešanu dalībvalstu normatīvajos un administratīvajos aktos, visi elektroinstrumenti ir jāsavāc atsevišķi un jāpārstrādā nekaitīgi apkārtējai videi. Alternatīva likvidēšana. Ja

mehanizētā darbarīka tīpašnieks darbarīku nenodod ražotājam, viņš ir atbildīgs par tā atbilstošu nodošanu paredzētajā savākšanas vietā, kur ierīci sagatavo pārstrādei saskaņā ar valsts atkārtotas pārstrādes tiesību aktiem un noteikumiem.

Tas neietver piederumus un darbarīkus bez elektriskajām vai elektroniskajām sastāvdaļām.

### Tikai Eiropas valstīm EK atbilstības deklarācija

**Uzņēmums „Makita Corporation”, kā atbildīgais ražotājs paziņo, ka šāds „Makita” instruments:**

Instrumenta nosaukums: Zāles pļaujmašīna

Modeļa Nr./tips: ELM3311, ELM3711

Specifikācijas: skatiet sadaļā „4. TEHNISKIE DATI”, ir sērijveida izstrādājums un

### Atbilst šādām Eiropas Savienības Direktīvām:

2004/108/EK, 2006/42/EK, 2000/14/EK un 2005/88/EK, 2006/95/EK

Un ražoti saskaņā ar šādiem standartiem vai normatīvajiem dokumentiem

LVS EN 60335, LVS EN 62233, LVS EN 55014, LVS EN 61000

Tehnisko dokumentāciju uztur:

Makita International Europe Ltd.,

Michigan Drive, Tongwell,

Milton Keynes, MK15 8JD, Anglija

Atbilstības novērtējuma procedūra, ko nosaka Direktīva 2000/14/EK, veikta atbilstoši VI pielikumam.

Pilnvarotā iestāde:

TÜV SÜD Industrie Service GmbH

Westendstraße 199, D-80686 München

Identifikācijas numurs: 0036

Modelis: ELM3311

Novērtētais skaņas jaudas līmenis: 87,7 dB (A)

Garantētais skaņas jaudas līmenis: 96 dB (A)

Modelis: ELM3711

Novērtētais skaņas jaudas līmenis: 91,0 dB (A)

Garantētais skaņas jaudas līmenis: 96 dB (A)

30. 11. 2012

Tomojasu Kato

Direktors

Makita Corporation

3-11-8, Sumiyoshi-cho,

Anjo, Aichi, 446-8502, JAPAN

**Bendrasis aprašymas**

- |                        |                          |                            |
|------------------------|--------------------------|----------------------------|
| 1. Viršutinė rankena   | 9. Priekinis ratas       | 17. Priekinio rato gaubtas |
| 2. Skirstomoji dėžė    | 10. Variklio dangtis     | 18. Priekinis ratas        |
| 3. Apsauginis mygtukas | 11. Apatinė rankena      | 19. Priekinio rato atrama  |
| 4. Fiksavimo svirtis   | 12. Kabiukas kabeliui    | 20. Galinis gaubtas        |
| 5. Laido spaustukas    | 13. Jungiklio rankena    | 21. Lygio indikatorius     |
| 6. Žolės gaudyklė      | 14. Galinio rato gaubtas | 22. Kontrolinė lemputė     |
| 7. Galinis ratas       | 15. Galinis ratas        |                            |
| 8. Dugnas              | 16. Galinio rato atrama  |                            |

**VEJAPJOVĖS APRAŠYMAS**

Prieš pradėdami naudoti ir naudodami vejaplovę bei ją panaudoję, atidžiai perskaitykite šią instrukciją ir visus joje pateiktus nurodymus dėl saugos. Vadovaudamiesi šiais nesudėtingais nurodymais, taip pat palaikysite gerą darbinę vejaplovės būklę. Prieš bandydami naudoti vejaplovę, susipažinkite su visais jos valdikliais, bet svarbiausia įsisikinkite, kad žinote, kaip sustabdyti vejaplovę esant avariniam atvejui. Išsaugokite šią naudojimo instrukciją ir visus dokumentus, kad galėtumėte jais pasinaudoti ateityje.

**1. ANT GAMINIO PAŽYMĖTI ŽENKLAI**

Atidžiai perskaitykite šią naudojimo instrukciją prieš pradėdami naudoti vejaplovę ir laikykite ją saugioje vietoje, kad galėtumėte pasinaudoti ja ateityje.



Neleiskite artyn pašalinių asmenų.



Būkite atsargūs: peiliai yra labai aštrūs.



Išimkite uždegimo žvakę, prieš pradėdami technines priežiūros darbus arba jeigu kabelis yra pažeistas.



Laikykite lankstų maitinimo kabelį atokiai nuo pjovimo peilių.



**ISPĖJIMO DĖL SAUGOS ŽENKLAS:** reiškia perspėjimą arba įspėjimą; gali būti naudojamas kartu su kitais ženklais arba paveikslėliais.

**DVIGUBA IZOLIACIJA**

Šioje vejaplovėje įrengta dviguba izoliacija.

Tai reiškia, kad visos išorinės dalys yra izoliuotos nuo elektros. Izoliuojama tarp elektrinių ir mechaninių dalių įrengus papildomą izoliacinį sluoksnį.

**2. BENDROSIOS SAUGOS TAISYKLĖS**

Saugos taisyklių tikslas - atkreipti jūsų dėmesį į galimus pavojus. Turite atkreipti dėmesį į saugos ženklus bei pateiktus jų paaiškinimus ir juos suprasti. Įspėjimai dėl saugos patys savaime nepanaikina jokio pavojaus. Nurodymai ar įspėjimai nepakeičia tinkamų nelaimės prevencijos priemonių.



**ISPĖJIMAS:** Nesilaikant saugumo įspėjimo, galima susižeisti arba sužeisti kitus. Visuomet laikykitės saugumo atsargumo priemonių, kad sumažintumėte gaisro, elektros šoko ar asmens sužeidimo pavojų. Saugokite šį vartotojo vadovą ir dažnai jį peržiūrėkite, kad ir toliau saugiai dirbtumėte bei išmokytumėte kitus asmenis, kaip saugiai naudoti šį įrankį.



**ISPĖJIMAS:** Šis įrenginys darbo metu sukuria elektromagnetinį lauką. Esant tam tikroms sąlygoms, šis laukas gali sutrikdyti aktyvių arba pasyvių medicininių implantų veikimą. Norint sumažinti sunkių arba mirtinų sužeidimų pavojų, rekomenduojame, kad asmenys, turintys medicininių implantų, prieš pradėdami naudoti šį įrenginį, pasitartų su savo fizioterapeutais ir medicininių implantų gamintojais.



**ISPĖJIMAS:** Naudojant bet kokį įrankį, į akis gali patekti dalelių ir svetimkūnių, kurie gali sunkiai sužeisti akis. Prieš pradėdami naudoti elektrinį įrankį, visuomet užsidėkite apsauginius darbo akinius, apsauginius akinius su šoniniais skydeliais arba, jei reikia, visą veidą dengiantį antveidį. Ant regėjimo akinių arba standartinių apsauginių akinių su šoniniais skydeliais rekomenduojame naudoti plataus regos lauko apsauginį antveidį.

- Atidžiai perskaitykite šią instrukciją. Nuodugniai susipažinkite su valdikliais ir kaip tinkamai naudoti šį įrenginį.
- Niekuomet neleiskite, kad šią vejaplovę naudotų vaikai arba su šia instrukcija nesusipažinę žmonės. Operatoriaus amžius gali būti reglamentuojamas vietinių įstatymų.
- Niekuomet nepjunkite žolės, jei netoliese yra žmonių, ypač vaikų ar naminių gyvūnų.
- Prisiminkite, kad operatorius yra atsakingas už nelaimingus atsitikimus ar nelaimes, atsitikusias kitiems žmonėms arba jų turtui padarytą žalą.

- 5) Pjudami žolę, visuomet avėkite tinkamą avalynę ir mūvėkite ilgas kelnes. Niekuomet nedirbkite su įrengimu, jei esate basi ar avėdami atvirus sandalus.
- 6) Kruopščiai apžiūrėkite vietą, kurioje naudosite įrengimą, ir pašalinkite visus odaiktus, kuriuos mašina galėtų nusviesti.
- 7) Prieš pradėdami naudoti vejąpovę, visuomet apžiūrėkite ir patikrinkite, ar nesusidėvėję ar neapgadinti peiliai, peilių varžtai ir pjoviklio mechanizmas. Pakeiskite visus peilių ir varžtų kompleksus, ne tik susidėvėjusius ar apgadintus peilius ir varžtus, kad būtų išlaikyta pusiausvyra.
- 8) Žolę pjaukite tik dienos metu arba esant geram dirbtiniam apšvietimui.
- 9) Jei įmanoma, venkite pjauti šlapią žolę.
- 10) Dirbdami nuokalnėse, visada tvirtai stovėkite ant žemės.
- 11) Vaikščiokite, o ne bėgiokite.
- 12) Naudodami ratines rotacines mašinas, pjaukite žolę skersai nuokalnių; niekada nepjaukite aukštyn-žemyn.
- 13) Keisdami kryptis nuokalnėse, būkite itin atsargūs.
- 14) Nepjaukite žolės pernelyg stačiose nuokalnėse.
- 15) Būkite itin atsargūs važiuodami atbuline eiga arba traukdami vejąpovę link savęs.
- 16) Sustabdykite peilį, jeigu vejąpovę reikia paversti, kad ją galima būtų perkelti per žolę neapaugusius paviršius, ir gabenant vejąpovę iš ir į žolės pjovimo vietą.
- 17) Niekada neekspluatuokite vejąpovės su pažeistais apsauginiais skydais arba be tinkamai sumontuotų saugos įtaisų, pavyzdžiui, kreiptuvų ir (arba) žolės gaudyklių.
- 18) Atsargiai užveskite arba įjunkite variklį, kaip nurodyta instrukcijoje; pėdos turi būti pakankamu atstumu nuo peilių.
- 19) Nepakreipkite vejąpovės užvesdami variklį, išskyrus tą atvejį, jeigu vejąpovę reikia pakreipti norint ją užvesti. Tokiu atveju pakreipkite ją tik tiek, kiek tai absoliučiai būtina, ir kelkite tik tą dalį, kuri yra atokiai nuo operatoriaus.
- 20) Neužveskite variklio stovėdami priešais išmetimo lataką.
- 21) Nekiškite rankų ar kojų artyn prie besisukančių dalių arba po jomis. Visada stovėkite atokiai nuo sniego išmetimo angos.
- 22) Niekada nekelkite ir neneškite vejąpovės, kai variklis veikia.
- 23) Išjunkite variklį ir atjunkite uždegimo žvakę:
  - prieš pradėdami valyti užsikimšimus ar prieš atkimsdami išmetimo lataką;
  - prieš atlikdami vejąpovės patikrą, valymo arba remonto darbus;
  - atsitrenkę į koją nors daiktą. Prieš vėl užvesdami ir naudodami vejąpovę, patikrinkite, ar nėra gedimų, ir, jeigu reikia, pataisykite.
  - jeigu vejąpovė pradeda nejprastai vibruoti (patikrinkite nedelsdami).
- 24) Sustabdykite vejąpovę:
  - jei tik paliekate vejąpovę be priežiūros.
- 25) Visos veržlės, varžtai ir sraigčiai turi būti tvirtai prisukti, kad būtų užtikrintos saugios įrenginio darbo sąlygos.
- 26) Dažnai tikrinkite žolės gaudyklę, ar ji nesusidėvėjusi ir ar tinkamai veikia.
- 27) Saugos sumetimais, pakeiskite susidėvėjusias ar apgadintas dalis.
- 28) Nenaudokite vejąpovės, keigu jos kabeliai yra pažeisti arba nusidėvėję.
- 29) Nejunkite pažeisto kabelio į maitinimo tinklą ir nelieskite pažeisto kabelio, kol jis nebus ištrauktas iš maitinimo tinklo. Naudojant pažeistą kabelį, galima prisiliesti prie įtampą turinčių dalių.
- 30) Nelieskite peilio, kol mašina nebus atjungta nuo maitinimo tinklo ir peilis visiškai nesustos.
- 31) Laikykite ilginimo laidus atokiai nuo peilio. Peilis gali pažeisti laidus ir prisiliesti prie įtampą turinčių dalių.
- 32) Atjunkite nuo maitinimo tinklo (t.y. ištraukite kištuką iš elektros lizdo):
  - kai paliekate mašiną be priežiūros;
  - prieš pašalindami užsikimšimą;
  - prieš tikrindami, valydami ar dirbdami su mašina;
  - atsitrenkę į koją nors daiktą;
  - jeigu mašina pradeda nejprastai vibruoti.
- 33) Prižiūrėkite vaikus, kad jie nežaistų su šiuo buitiniu prietaisu.
- 34) Vaikams ir priemenims, nesugebantiems saugiai naudotis prietaisu dėl savo psichikos, jutimines arba protines negalios arba patirties bei žinių trūkumo, negalima naudotis šiuo prietaisu be už šių asmenų saugumą atsakingų asmenų priežiūros ir nurodymų.
- 35) Jeigu pažeistas maitinimo laidas, jį galima pakeisti tik specialiu laidu arba komplektu, kurį galima įsigyti iš gamintojo arba jo techninio aptarnavimo tarnybos.
- 36) Nurodymai, kaip saugiai naudoti šį prietaisą, įskaitant rekomendaciją, kad šį prietaisą reikia prijungti naudojant nutekėjimo srovės saugiklį (RCD), ir išjungimo srovė neturi viršyti 30 mA.
- 37) Reguluodami mašiną būkite atsargūs, kad pirštų nepagautų judantys ašmenys ir nejudamos mašinos dalys.
- 38) Prieš pastatydami mašiną į vietą, būtinai palaukite, kol ji atvės.
- 39) Prieš pradėdami peilių techninės priežiūros darbus, nepamirškite, kad nors maitinimo šaltinis yra išjungtas, peiliai vis tiek gali suktilis.
- 40) Saugumo sumetimais pakeiskite nusidėvėjusias arba pažeistas dalis; naudokite tik originalias keičiamąsias dalis ir priedus.
- 41) Reguluodami prietaisą, būkite atsargūs, kad pirštų nepagautų judantys peiliai ir nejudamos prietaiso dalys.
- 42) Prieš pradėdami naudoti, patikrinkite maitinimo ir ilginimo laidus, ar jie nepažeisti arba nenusidėvėję. Jeigu vejąpovės naudojimo metu pažeistumėte laidą, tuoj pat atjunkite jį nuo maitinimo tinklo. NELIESKITE LAIDO, KOL NEATJUNGSITE JO NUO MAITINIMO TINKLO. Nenaudokite prietaiso, jeigu laidas yra pažeistas arba nusidėvėjęs.
- 43) Jei maitinimo laidas būtų sugadintas, kad nekiltų pavojus, jį privalo pakeisti gamintojas, jo atstovas, teikiantis remonto paslaugas, arba panašios kvalifikacijos asmenys.

### 3. DALIŲ APRAŠYMAS (1 pav.)



## 4. TECHNINIAI DUOMENYS

Modelis:	ELM3311	ELM3711
Nominali įtampa:	230 V~	230 V~
Nominalusis dažnis:	50 Hz	50 Hz
Nominali galia:	1 100 W	1 300 W
Greitis be apkrovos:	2 900/min	2 900/min
Pjovimo plotis:	330 mm	370 mm
Garantuojamas garso galios lygis:	96 dB (A)	96 dB (A)
L <sub>pa</sub> (SPL) vartotojo darbo vietoje:	75,4 dB (A), K=3 dB (A)	77,6 dB (A), K=3 dB (A)
Garantuotoji vibracija:	0,672 m/s <sup>2</sup> , K=1,5 m/s <sup>2</sup>	0,917 m/s <sup>2</sup> , K=1,5 m/s <sup>2</sup>
Žolės gaudyklės talpa:	27 l	35 l
Grynasis svoris:	13,1 kg	14,9 kg
Apsaugos nuo skysčių laipsnis:	IP24	IP24
Aukščio reguliavimas:	20/40/55 mm, 3 nustatymai	20/40/55 mm, 3 nustatymai

## 5. MONTAVIMAS

### 5-1 RATŲ MONTAVIMAS

Įkiškite priekinio ir galinio rato gaubto ašį į ratą, o tada įsriekite ją į rato atramos angą. (2 pav.)



**ĮSPĖJIMAS:** Visi ratai privalo būti sumontuoti tame pačiame aukšyje.

### 5-2 SUDEDAMOS RANKENOS MONTAVIMAS

- Įkiškite apatinius rankenų strypus į dugne esančias angas, tuomet pritvirtinkite pateiktais varžtais, naudodami atsuktuvą. (3 pav., 4 pav., 5 pav.)
- Sujunkite viršutinę ir apatinę rankenas, naudodami fiksavimo svirtį. (6 pav., 7 pav.)
- Nutieskite kabelį virš rankenos ašies. Pritvirtinkite jį laido spaustuku ties apatinės rankenos viduriu, kad kabelis būtų užfiksuotas išorinėje rankos dalyje. Kitaip kabelis gali būti prispaustas atidarant/uždarant galinį gaubtą. (8 pav.)

### 5-3 ŽOLĖS GAUDYKLĖS MONTAVIMAS

- Norėdami pritvirtinti: Pakelkite galinį gaubtą ir prikabinkite žolės gaudyklę prie veļapjovės galo. (9 pav., 10 pav., 11 pav.)
- Norėdami nuimti: Suimkite ir pakelkite galinį gaubtą, nuimkite žolės gaudyklę.

Žolės gaudyklės viršuje yra lygio indikatorius, kuris parodo, ar gaudyklė yra tuščia, ar pilna (12A pav., 12B pav.):

- Jeigu pjaunant žolę gaudyklė nėra pilna, lygio indikatorius atsidaro. (12B pav.)
- Jeigu gaudyklė yra pilna, indikatorius užsidaro. Taip atsitikus, tuoj pat liaukitės pjovę žolę ir išpilkite žolę iš gaudyklės, tinkamai ją išvalykite bei patikrinkite, ar neužsikimšo jos ventiliavimo tinklelis. (12A pav.)

### SVARBU

Jeigu indikatorius atidarymo anga bus labai purvina, indikatorius neatsidarys. Tokiu atveju tuoj pat nuvalykite indikatoriaus atidarymo angą.

## 6. ŽOLĖS PJOVIMO AUKŠČIO REGULIAVIMAS

Žolės pjovimo aukštis reguliuojamas nustatant ratus į atitinkamą angą. Visi ratai privalo būti sumontuoti tame pačiame aukšyje. Aukštį (peilio atstumą nuo žemės paviršiaus) galima nustatyti nuo 20 mm iki 55 mm (3 aukščio padėtyse). (13 pav.)

Žemiausia nuostata: 20 mm ((1) padėtis); vidurinė nuostata: 40 mm ((2) padėtis); aukščiausia nuostata: 55 mm ((3) padėtis).



**ĮSPĖJIMAS:** Atjunkite elektros laidą nuo elektros tinklo.



**ĮSPĖJIMAS:** Šį nustatymą galima atlikti tik tada, kai peilis nesisuka.

## 7. ĮSPĖJIMAI DĖL SAUGOS

- Visuomet naudokite kreiptuvą arba žolės gaudyklę nustatę į tinkamą padėtį.
- Prieš nuimdami žolės gaudyklę arba reguliuodami pjovimo aukščio padėtį, visuomet išjunkite variklį.
- Prieš pradėdami pjauti veļą, patraukite nuo jos visus pašalinius daiktus, kuriuos mašina galėtų pagriebti ir sviesti. Pjaudami veļą, stebėkite, kad neužkliudytumėte jokių pašalinių daiktų, kurių galite būti nepastebėję. (14 pav.)
- Užvesdami variklį arba įprastai dirbdami, niekada nepakelkite veļapjovės galo. (15 pav.)
- Varikliui veikiant, niekada neikiškite rankų ar kojų po dungu arba išmetimo latakų galu. (16 pav.)

## 8. ĮJUNGIMAS

Prieš prijungdami veļapjovę prie maitinimo tinklo, patikrinkite ar maitinimo tinklo įtampa yra 230 V ~ 50 Hz. Prieš įjungdami veļapjovę, užfiksuokite ilginimo laidą kabluku kabeliui. (17 pav.) Įjungus veļapjovę, užsiedgs kontrolinė lemputė. (18 pav.)

Užveskite variklį tokiu būdu. (19 pav.)

- Paspauskite apsauginį mygtuką (1).
- Tuo pat metu patraukite už jungiklio rankenos (2) ir laikykite už jos.

Varikliui veikiant, stumkite vejąpovę rankiniu būdu.

Jeigu atleisite jungiklio rankeną, variklis išsijungs.



**PERSPĖJIMAS:** Užvedus variklį, tuoj pat pradeda sukintis peilis.



**ĮSPĖJIMAS:** Išjungus variklį, pjovimo dalys dar kurį laiką sukasi.

## 9. PEILIS

Peilis pagamintas iš presuoto plieno. Jį reikės dažnai galąsti (naudojant galandimo diską).

Jis visuomet būtinai turi būti subalansuotas (nesubalansuotas peilis kelia pavojingą vibraciją).

Norėdami pasitrinti subalansavimą, prakiškite apvalų strypelį pro centrinę angą ir įtvirtinkite jį horizontaliai.

(20 pav.) Subalansuotas peilis liks horizontalus. Jei peilis nesubalansuotas, sunksnis galas nusiųs žemyn.

Galąskite sunksnį galą tol, kol peilis bus subalansuotas.

(21 pav.) Norėdami nuimti peilį (2), atsukite peilio varžtą (3). (22 pav., 23 pav., 24 pav.)

Patikrinkite ventiliatorių (1) būklę ir pakeiskite visas pažeistas dalis. (22 pav.)

Vėl sumontuodami, įsitinkinkite, kad pjovimo kraštai būtų nukreipti variklio sukimosi krypties link. Peilio varžtas (3) privalo būti prisuktas 20 -25 Nm jėga.



**ĮSPĖJIMAS:** Prireikus, pakeiskite peilį: tik MAKITA 263001422 (modeliui ELM3311) ir MAKITA 263001414 (modeliui ELM3711).

## 10. ILGINIMO LAIDAI

Galima naudoti tik naudojimui lauke skirtus, įprastam elektros stiprumui numatytus ilginimo laidus, kurių skersmuo yra ne mažesnis nei 1,0 mm<sup>2</sup>.

Prieš naudojimą patikrinkite maitinimo ir ilginimo laidus, ar jie nebuvo pažeisti naudojimo metu; pažeistus arba senus laidus pakeiskite naujais. Jeigu vejąpovės naudojimo metu pažeistumėte laidą, tuoj pat atjunkite jį nuo maitinimo tinklo. NELIESKITE LAIDO, KOL NEATJUNGSITE JO NUO MAITINIMO TINKLO.

Nenaudokite prietaiso, jeigu laidas yra pažeistas arba nusidėvėjęs. Laikykite ilginimo laidus atokiai nuo pjovimo elementų.



**ĮSPĖJIMAS:** Ventiliacijos angos turi būti švarios: nedulkėtos ir nepurvinos.

## 11. PRIEŽIŪRA IR TECHNINIS APTARNAVIMAS



**ĮSPĖJIMAS:** Prieš pradėdami bet kokius techninės priežiūros ar valymo darbus, visuomet ištraukite prietaiso kištuką iš elektros lizdo!

Nepurškite ant prietaiso vandens. Į prietaisą patekęs vanduo gali sugadinti kištuko-lizdo sistemą ir elektrinį variklį. Valykite įrenginį skudurėliu, rankiniu šepetėliu ir pan.

**Patikrą privalo atlikti specialistas; nemėginkite patys daryti reguliavimo darbų – privalote kreiptis į įgaliotąjį „Makita“ techninio aptarnavimo centrą:**

- jeigu vejąpovė atsitrenkia į kokį nors daiktą;
- jeigu staiga užgęsta variklis;
- jeigu peilis yra sulankstytas (nemėginkite jo tiesinti!);
- jeigu variklio velenas yra sulankstytas (nemėginkite jo tiesinti!);
- jeigu prijungus kabelį, įvyko trumpasis jungimas;
- jeigu pažeisti krumpļiaraciai;
- jeigu V formos diržas yra su defektais.

## 12. TRIKČIŲ ŠALINIMAS



**ĮSPĖJIMAS:** Prieš pradėdami bet kokius techninės priežiūros ar valymo darbus, visuomet ištraukite prietaiso kištuką iš elektros tinklo ir palaukite, kol peilio mechanizmas visiškai sustos.

Gedimas	Atitaisymo darbai
Variklis neveikia	Patikrinkite, ar laidas įjungtas į maitinimo tinklą. Pradėkite pjauti neaukštą žolę arba pjaukite toje vietoje, kurioje žolė jau nupjauta. Išvalykite išmetimo kanalą/korpusą - pjovimo peilis privalo sukintis nevaržomai. Nustatykite tinkamą pjovimo aukštį.
Sumažėja variklio galia	Nustatykite tinkamą pjovimo aukštį. Išvalykite išmetimo kanalą/korpusą. Atiduokite pagaląsti/pakeisti pjovimo peilį → į įgaliotąjį techninio aptarnavimo centrą.
Žolės gaudyklė neužpildoma.	Nustatykite tinkamą pjovimo aukštį. Palaukite, kol veja bus sausa. Atiduokite pagaląsti/pakeisti pjovimo peilį → į įgaliotąjį techninio aptarnavimo centrą. Išvalykite žolės gaudyklės grotelės. Išvalykite išmetimo kanalą/korpusą.
Neveikia ratų pavara.	Pareguliuokite lankstų kabelį. Atiduokite prietaisą į → įgaliotąjį techninio aptarnavimo centrą, kad patikrintų V formos diržą/pavaras. Patikrinkite, ar nesugadinti varantieji ratai.



**PERSPĒJIMAS:** Gedimus, kurių neįmanoma atitaisyti vadovaujantis šia lentele, gali pataisyti tik „Makita“ įgaliotasis techninio aptarnavimo centras.

Modelis: ELM3711

Nustatytas garso galios lygis: 91,0 dB (A)

Garantuotas garso galios lygis: 96 dB (A)

30. 11. 2012

Tomoyasu Kato  
Direktorius  
Makita Corporation  
3-11-8, Sumiyoshi-cho,  
Anjo, Aichi, 446-8502, JAPAN

### 13. SENŲ ĮRENGINIŲ IŠMETIMAS NEDĀRANT ŽALOS APLINKAI



Atsižvelgiant į ES Direktyvą 2002/96/EB dėl elektrinių ir elektroninių įrenginių bei jos įgyvendinimą pagal nacionalinius teisės aktus, visi elektriniai įrankiai privalo būti surenkami atskirai nuo buitinių atliekų bei perdirbami tokiu būdu, kad nebūtų daroma žala aplinkai.

Alternatyvus išmetimo būdas: Jeigu elektrinio įrankio savininkas negražina seno įrankio gamintojui, jis privalo tinkamai jį išmesti specialiuose atliekų surinkimo punktuose, kuriuose toks prietaisas paruošiamas perdirbimui, atsižvelgiant į nacionalinius teisės aktus ir taisykles dėl atliekų perdirbimo.

Tai netaikytina priedams ir įrankiams, kuriuose nėra elektrinių arba elektroninių sudedamųjų dalių.

#### Tik Europos šalims

#### EB atitikties deklaracija

**Mes, bendrovė „Makita Corporation“, būdami atsakingas gamintojas, pareiškiame, kad šis „Makita“ įrenginys (-iai):**

Mechanizmo paskirtis: Vejapjovė

Modelio Nr./tipas: ELM3311, ELM3711

Specifikacijos: žr. „4. TECHNINIAI DUOMENYS“ yra serinis gaminys ir

#### atitinka šias Europos direktyvas:

2004/108/EB, 2006/42/EB, 2000/14/EB ir 2005/88/EB, 2006/95/EB

ir yra pagaminti pagal šiuos standartus arba normatyvinius dokumentus:

EN 60335, EN 62233, EN 55014, EN 61000

Techninė dokumentacija saugoma:

Makita International Europe Ltd.,

Michigan Drive, Tongwell,

Milton Keynes, MK15 8JD, England (Anglija)

Atitikties įvertinimo procedūra, būtina pagal Tarybos Direktyvą 2000/14/EB, atlikta atsižvelgiant į VI priedą.

Paskelbtoji įstaiga:

TÜV SÜD Industrie Service GmbH

Westendstraße 199, D-80686 München

Identifikacijos numeris: 0036

Modelis: ELM3311

Nustatytas garso galios lygis: 87,7 dB (A)

Garantuotas garso galios lygis: 96 dB (A)

Üldvaate selgitus

- |                          |                           |                      |
|--------------------------|---------------------------|----------------------|
| 1. Käepideme ülemine osa | 9. Esiratas               | 17. Esiratta kate    |
| 2. Lülituskarp           | 10. Mootorikate           | 18. Esiratas         |
| 3. Turvalüliti nupp      | 11. Käepideme alumine osa | 19. Esiratta toend   |
| 4. Lukustushoob          | 12. Kaabli kinnituskonks  | 20. Tagumine kate    |
| 5. Kaabliklamber         | 13. Lülitushoob           | 21. Tasemeindikaator |
| 6. Rohukoguja            | 14. Tagaratta kate        | 22. Märgulamp        |
| 7. Tagaratas             | 15. Tagaratas             |                      |
| 8. Korpus                | 16. Tagaratta toend       |                      |

**TUNDKE OMA MURUNIIDUKIT**

Lugege kasutusjuhend tähelepanelikult läbi ja järgige selles antud ohutusjuhiseid nii enne muruniiduki kasutamist, selle kasutamise ajal kui ka pärast kasutamist. Nende lihtsate juhiste järgimine aitab teil hoida muruniidukit heas töökorras. Õppige enne muruniidukiga töötamist põhjalikult tundma muruniiduki juhtimiseadiseid, kuid eelkõige veenduge, et oskate oma muruniidukit seisata hädaolukorras. Hoidke kasutusjuhend ja muu asjakohane kirjandus käepärast, et saaksite sealt vajadusel uuesti lugeda.

**1. MURUNIIDUKIL OLEVAD SÜMBOLID**

Lugege kasutusjuhend enne muruniiduki kasutamist tähelepanelikult läbi ja hoidke seda kindlas kohas, et saaksite seda vajadusel uuesti lugeda.



Hoidke kõrvalseisjad eemal.



Olge lõiketerade suhtes tähelepanelik.



Eemaldage pistik vooluvõrgust enne niiduki hooldamist või toitejuhtme kahjustumise korral.



Hoidke paindud toitejuhe lõiketeradest eemal.



**OHUSÜMBOL:** tähendab hoiatust ja manitseb ettevaatusele; seda võidakse kasutada koos teiste sümbolite või piltidega.

**KAHEKORDNE ISOLATSIOON**

Teie niiduk on varustatud kahekordse isolatsiooniga.

See tähendab, et kõik välised seadmeosad on toiteallikast elektriliselt isoleeritud. Kahekordse isolatsiooni

saavutamiseks kasutatakse elektriliste ja mehaaniliste osade eraldamiseks täiendavat isolatsiooni.

**2. PÕHILISED OHUTUSNÕUDED**

Ohutuseeskirjade eesmärk on pöörata tähelepanu võimalikele ohtudele. Ohusümbolid ja nende juures toodud selgitavad ohutusteadet nõuavad teilt erilist tähelepanelikkust ja arusaamist. Ainult ohutusteadete järgimisega te ühtki ohtu ei kõrvalda. Juhis või hoiatus, mille need annavad, ei asenda asjakohaseid ettevaatusabinõusid.



**HOIATUS:** Ohutusteate eiramine võib põhjustada tõsise kehavigastuse teile endale või teistele. Järgige alati ettevaatusabinõusid, et vähendada tulekahju, elektrilöögi ja kehavigastuse tekkimise võimalust. Hoidke kasutusjuhend alles ning lugege ohutu töö tagamiseks seda sageli uuesti ja juhendage teisi selle tööriista töötavaid isikuid.



**HOIATUS:** See masin tekitab töötamise ajal elektromagnetilise välja. Mõningatel juhtudel võib see väli mõjutada aktiivseid või passiivseid meditsiinilisi implantaate. Soovitame meditsiiniliste implantaatidega isikutel enne antud masina kasutamist pidada tõsise või eluohtliku vigastuse vältimiseks nõu arsti ja meditsiinilise implantaadi tootjaga.



**HOIATUS:** Mis tahes tööriista või seadmega töötamine võib põhjustada võõrkehade sattumise silma, mille tagajärjeks võib olla tõsine silmakahjustus. Elektriseadmega töötamisel kandke alati kaitseprille või küljekaitsega kaitseprille ning vajaduse korral kogu nägu katvat näokaitset. Soovitame optiliste prillide peal kanda spetsiaalset kaitsemaski või standardseid küljekaitsemega kaitseprille.

- 1) Lugege tähelepanelikult juhiseid. Õppige põhjalikult tundma seadme juhtimiseadiseid ja niiduki õiget kasutamist.
- 2) Mitte mingil juhul ärge lubage muruniidukit kasutada lastel ega isikutel, kes pole tutvunud käesoleva kasutusjuhendiga. Kohalikud määrad võivad seada piiranguid kasutaja vanusele.
- 3) Ärge kunagi niitke siis, kui läheduses viibivad inimesed (eriti lapsed) või lemmikloomad.

- 4) Pidage meeles, et muruniiduki omanik või kasutaja vastutab teistele isikutele põhjustatud vigastuste või nende varale tekitatud kahjustuste eest.
- 5) Kandke niitmise ajal alati tugevaid jalatseid ja pikki pükse. Ärge töötage niidukiga, kui olete paljajalu või kannate lahtisi sandaale.
- 6) Kontrollige hoolikalt niidetavat ala ja eemaldage sealt kõik esemed, mis võivad niidukile ette jäädes eemale paiskuda.
- 7) Kontrollige alati enne kasutamist, kas lõiketera, lõiketera poldid ja niiduki korpus pole kulunud või vigastatud. Asendage kulunud või kahjustunud terad ja poldid komplektina, et tagada niiduki ühtlane kulumine.
- 8) Niitke ainult päevavalguses või hea tehisvalgustuse korral.
- 9) Võimaluse korral vältige märja muru niitmist.
- 10) Jälgige kallakutel alati, et teil oleks kindel jalgealune.
- 11) Kõndige, ärge jookske.
- 12) Edasiveoga niidukite puhul niitke kallakutel ristisuunas, mitte kunagi üles-alla suunas.
- 13) Olge kallakutel liikumissuunda muutes äärmiselt ettevaatlik.
- 14) Ärge niitke liiga järskuldel kallakutel.
- 15) Olge tagurdamisel või muruniiduki enda poole tõmbamisel äärmiselt ettevaatlik.
- 16) Seisake lõiketera, kui muruniidukit tuleb mootori töötamise ajal kallutada, et liikuda üle alade, mis ei ole muruga kaetud, ning siis, kui viite muruniidukit niitmisalale või sealt ära.
- 17) Ärge mitte mingil juhul kasutage muruniidukit, mille kaitsekatted on vigastatud või millel puuduvad ohutusseadised (nt suunaja ja/või rohukoguja peavad olema õigesti paigaldatud).
- 18) Käivitage või lülitage mootor sisse vastavalt juhistelet, hoides jalgu lõiketeradest ohutus kauguses.
- 19) Ärge kallutage muruniidukit käivitamisel, kui lülitate mootorit sisse, välja arvatud juhul, kui muruniidukit tuleb käivitamiseks kallutada. Sellisel juhul ärge kallutage niidukit rohkem kui vaja ning tõstke ainult seda osa, mis jääb kasutajast eemale.
- 20) Ärge seisake mootori käivitamise ajal väljaviskerenni ees.
- 21) Ärge pange käsi ja jalgu pöörlevate osade lähedale ega nende alla. Hoidke väljaviskeava alati takistustest puhtana.
- 22) Mitte mingil juhul ärge tõstke ega kandke muruniidukit sel ajal, kui mootor töötab.
- 23) Seisake mootor ja ühendage toitepistik vooluvõrgust lahti:
  - enne takistuste eemaldamist muruniidukist või ummistuste kõrvaldamist väljaviskerennist;
  - enne kontrollimist, puhastamist või mis tahes muude tööde teostamist muruniidukil;
  - pärast pörkimist vastu võrkeha. Kontrollige, et muruniiduk ei oleks kahjustunud. Teostage enne niiduki käivitamist ja niitma hakkamist vajalikud parandustööd;
  - kui muruniiduk hakkab ebatavaliselt vibreerima (kontrollige kohe).
- 24) Seisake muruniiduk:
  - alati, kui lahkute muruniiduki juurest.
- 25) Jälgige, et kõik mutrid, poldid ja kruvid oleksid tugevasti kinni keeratud. Nii tagate niiduki ohutu töötamise.
- 26) Kontrollige regulaarselt rohukogujat kulumise või vigastuste kindlakstelemiseks.
- 27) Ohutuse tagamiseks vahetage kulunud või kahjustunud osad uute vastu.
- 28) Ärge kasutage muruniidukit siis, kui juhtmed on vigastatud või kulunud.
- 29) Ärge ühendage kahjustunud toitejuhet vooluvõrku ning ärge puudutage kahjustunud toitejuhet enne, kui olete selle vooluvõrgust lahti ühendanud. Kahjustunud toitejuhe võib puutuda kokku pingestatud komponentidega.
- 30) Ärge puudutage lõiketera enne, kui olete niiduki vooluvõrgust lahti ühendanud ja lõiketerad on täielikult seiskunud.
- 31) Hoidke pikendusjuhtmeid lõiketerast eemal. Lõiketera võib toitejuhtmeid vigastada, mille tagajärjel võite puutuda vastu pingestatud komponente.
- 32) Katkestage voolutoide (s.t tõmmake toitejuhtme pistik pistikupesast välja):
  - alati, kui lahkute muruniiduki juurest;
  - enne ummistuse kõrvaldamist;
  - enne kontrollimist, puhastamist või mis tahes muude tööde teostamist muruniidukil;
  - pärast pörkimist vastu võrkeha;
  - alati, kui muruniiduk hakkab ebatavaliselt vibreerima.
- 33) Jälgige, et lapsed ei kasutaks seadet mängimiseks.
- 34) Seadet ei tohiks kasutada väheste kehaliste või vaimsete võimetega või piiratud tajumisvõimega isikud (kaasa arvatud lapsed) ega ka isikud, kellel puuduvad vastavad oskused ja kogemus, välja arvatud juhul, kui nad töötavad vastutava isiku järelevalve all või on saanud asjakohaseid juhiseid seadme kasutamiseks.
- 35) Kui toitejuhe on kahjustunud, tuleb see välja vahetada spetsiaalse toitejuhtme või komplekti vastu, mida on võimalik saada otse tootjalt või tootja ametlikust hooldusteenindusest.
- 36) Muruniiduki ohutu töö tagamiseks peab see olema varustatud rikkevoolukaitsmega, mis vastab rakendusvoolule kuni 30 mA.
- 37) Olge muruniiduki reguleerimisel ettevaatlik, et vältida sõrmede muljumist muruniiduki fikseeritud osade ja liikuvate lõiketerade vahele.
- 38) Enne hoiule panekut laske muruniidukil alati maha jahtuda.
- 39) Olge lõiketerade hooldamisel teadlik sellest, et kuigi toide on välja lülitatud, võivad lõiketerad siiski liikuda.
- 40) Vahetage kulunud või kahjustunud osad välja, et tagada ohutus. Kasutage väljavahetamiseks ainult originaalvaruosi ja -tarvikuid.
- 41) Olge muruniiduki reguleerimisel ettevaatlik, et vältida sõrmede muljumist muruniiduki fikseeritud osade ja liikuvate lõiketerade vahele.
- 42) Enne kasutamist kontrollige, kas toite- ja pikendusjuhtmetel esineb märke kahjustustest või kulumisest. Kui toitejuhe saab kasutamise ajal vigastada, ühendage toitejuhe kohe vooluvõrgust lahti. **ÄRGE PUUDUTAGE JUHET ENNE, KUI OLETE SELLE VOOLUVÕRGUST EEMALDANUD.** Ärge kasutage seadet, kui selle juhe on kahjustunud või kulunud.

43) Kui toitejuhe on vigastatud, peab tootja, tema esindaja või vastava kvalifikatsiooniga isik selle ohu vältimiseks asendama.

## 3. MURUNIIDUKI OSADE KIRJELDUS (Joon. 1)

## 4. TEHNILISED ANDMED

Mudel:	ELM3311	ELM3711
Nimipinge:	230 V~	230 V~
Nominaalsagedus:	50 Hz	50 Hz
Nominaalvõimsus:	1100 W	1300 W
Koormuseta kiirus:	2900 p/min	2900 p/min
Lõikelaius:	330 mm	370 mm
Garanteeritud müratugevuse tase:	96 dB (A)	96 dB (A)
$L_{pA}$ (SPL) kasutaja töökohal:	75,4 dB (A), K = 3 dB (A)	77,6 dB (A), K = 3 dB (A)
Garanteeritud vibratsioon:	0,672 m/s <sup>2</sup> , K = 1,5 m/s <sup>2</sup>	0,917 m/s <sup>2</sup> , K = 1,5 m/s <sup>2</sup>
Rohukoguja mahutavus:	27 l	35 l
Netomass:	13,1 kg	14,9 kg
Kaitseaste (kaitstus vedelikku eest):	IP24	IP24
Kõrguse reguleerimine:	20/40/55 mm, 3 reguleeritavat kõrgust	20/40/55 mm, 3 reguleeritavat kõrgust

## 5. KOKKUPANEK

### 5-1 RATTAPAIGALDAMINE

Sisestage esi- ja tagaratta kate telg rattasse ja seejärel kruvige ratta toendis olevasse auku. (Joon. 2)



**HOIATUS:** Kõik rattad peavad olema samal kõrgusel.

### 5-2 KOKKUPANDAVA KÄEPIDEME MONTEERIMINE

- Sisestage käepideme alumised osad niiduki korpusse olevatesse aukudesse ja seejärel keerake need kaasasolevate kruvidega kinni, kasutades kruvikeerajat. (Joon. 3, joon. 4, joon. 5)
- Ühendage käepideme ülemine ja alumine osa lukustushoova abil. (Joon.6, joon.7)
- Seadke kaabel käepideme toru kohale. Kinnitage see kaabliklambriga käepideme alumise osa külge ja veenduge, et kaabel jääb fikseeritud asendis käepideme välisküljele. Vastasel juhul võib kaabel jääda selle avamisel/sulgemisel tagumise kate vahele. (Joon. 8)

### 5-3 ROHUKOGUJA MONTEERIMINE

- Paigaldamine: tõstke tagumine kate üles ja haakige rohukoguja niiduki tagaosa külge. (Joon. 9, joon. 10, joon. 11)
- Eemaldamine: Tõstke tagumine kate üles, eemaldage rohukoguja.

Rohukoguja peal paikneb tasemeindikaator, mis näitab, kas rohukoguja on tühi või täis (Joon. 12A, joon. 12B):

- Kui rohukoguja ei ole täis, siis on tasemeindikaator niitmise ajal ülespuhutud asendis. (Joon. 12B)
- Kui rohukoguja on täis, siis vajub tasemeindikaator kokku. Kui see juhtub, siis seisake kohe niitmine ja tühjendage rohukoguja. Veenduge, et see on puhas, ja tagage selle võrgu tuulutamine. (Joon. 12A)

### TÄHTIS

Kui tasemeindikaatori ava paiknemiskoht on väga määrdunud, siis tasemeindikaator ei puhu üles. Sellisel juhul puhastage kohe tasemeindikaatori ava paiknemiskohta.

## 6. LÕIKEKÕRGUSE REGULEERIMINE

Lõikekõrguse reguleerimiseks tuleb rattad kinnitada vastavatesse aukudesse.

Kõik rattad peavad olema samal kõrgusel. Kõrgust (lõiketerast maapinnani) saab reguleerida vahemikus 20 mm kuni 55 mm (3 kõrguse asendit). (Joon. 13)

Madalaim kõrgus: 20 mm (asend (1)); keskmine kõrgus: 40 mm (asend (2)); kõrgeim kõrgus: 55 mm (asend (3)).



**HOIATUS:** Ühendage toitejuhe vooluallikast lahti.



**HOIATUS:** Lõiketera peab lõikekõrguse reguleerimise ajal olema seisatud.

## 7. OHUTUSNÕUDED

- Niidukiga töötamise ajal peavad suunaja või rohukoguja asetsema õigel kohal.
- Seisake mootor alati enne rohukoguja eemaldamist või lõikekõrguse reguleerimist.
- Eemaldage enne niitmist murult kõik esemed, mis võivad lõiketera külge takerduda ja laiali paiskuda. Olge niitmise ajal tähelepanelik mis tahes varjatud võõrkehade suhtes. (Joon. 14)
- Ärge kunagi tõstke niiduki tagumist osa üles mootori käivitamise ja niitmise ajal. (Joon. 15)
- Ärge kunagi viige käsi või jalgu korpusse alla ega tagumise väljaviskeava renni, kui mootor töötab. (Joon. 16)

## 8. KÄIVITAMINE

Veenduge enne muruniiduki ühendamist vooluallikaga, et võrgupinge on 230 V~ 50 Hz.

Enne muruniiduki käivitamist kinnitage pikendusjuhe kaabli kinnituskonksu külge. (Joon. 17)

Kui muruniiduk töötab, siis süttib märgulamp. (Joon. 18)

Käivitage mootor alljärgnevalt. (Joon. 19)

a) Vajutage turvalüliti nuppu (1).

b) Samal ajal tõmmake lülitushooba (2) ja hoidke seda vastu käepidet.

Kui mootor töötab, lükake muruniidukit edasi.

Kui vabastate lülitushooba, siis mootor seiskub.



**ETTEVAATUST:** Kui mootor on käivitatud, hakkab lõiketera kohe pöörlema.



**HOIATUS:** Lõikeseade jätkab pöörlemist ka pärast mootori väljalülitamist.

## 9. LÕIKETERA

Lõiketera on valmistatud stantsitud terasest. Selline materjal võimaldab lõiketera sageli teritada (lihvimiskettaga).

Kandke hoolt, et lõiketera oleks alati balansis

(tasakaalustamata lõiketera võib põhjustada ohtlikku vibreerimist). Tasakaalustatuse kontrollimiseks sisestage ümmargune varras läbi lõiketera keskmise augu ja hoidke varrast horisontaalselt. (Joon. 20) Tasakaalustatud lõiketera jääb horisontaalseks. Kui lõiketera ei ole tasakaalustatud, hakkab raskem ots allapoole vajuma.

Teritage raskemat otsa uuesti, kuni lõiketera jääb tasakaalu. (Joon. 21) Lõiketera (2) eemaldamiseks keerake lõiketera kruvi (3) lahti. (Joon. 22, joon. 23, joon. 24)

Kontrollige ventilaatori (1) seisukorda ja vahetage kõik kahjustunud osad välja. (Joon. 22)

Tagasi monteerimisel veenduge, et lõikeservad jäävad esiküljega mootori pöörlemise suunas. Lõiketera kruvi (3) tuleb kinni keerata pöördemomendiga 20–25 Nm.



**HOIATUS:** Kasutage väljavahetamiseks ainult järgmisi lõiketerasid: MAKITA 263001422 (mudelite ELM3311) ja MAKITA 263001414 (mudelite ELM3711).

## 10. PIKENDUSJUHTMED

Kasutage ainult väliskeskkonnas kasutamiseks mõeldud tavarežiimi pikendusjuhtmeid, mille ristlõikepindala on vähemalt 1,0 mm<sup>2</sup>.

Enne kasutamist kontrollige, kas toite- ja pikendusjuhtmetel esineb märke kahjustustest. Ühendage kahjustunud või kulunud juhe kohe vooluvõrgust lahti. Kui toitejuhe saab kasutamise ajal vigastada, ühendage toitejuhe kohe vooluvõrgust lahti. ÄRGE PUUDUTAGE JUHET ENNE, KUI OLETE SELLE VOOLUVÕRGUST EEMALDANUD. Ärge kasutage seadet, kui selle juhe on kahjustunud või kulunud. Hoidke pikendusjuhe lõikeseadmest eemal.



**HOIATUS:** Kandke hoolt, et ventilatsioonivad oleksid alati prahist puhtad.

## 11. HOOLDUS



**HOIATUS:** Tõmmake toitejuhe enne mis tahes hooldus- või puhastustööde teostamist alati seinast välja! Ärge piserdage niidukit veega. Niidukisse pääsenud vesi võib kahjustada lülitusseadet ja elektrimootorit. Puhastage niidukit lapiga, käsiharjaga jms.

**Pöörduge Makita volitatud hooldusteenindusse ja ärge teostage ise mitte ühtki reguleerimist järgmistel juhtudel:**

- kui muruniiduk pörkub vastu mõnda eset;
- kui mootor seiskub ootamatult;
- kui lõiketera on kõver (ärge joondage!);
- kui mootorivõll on kõver (ärge joondage!);
- lühise esinemisel, kui kaabel on ühendatud;
- kui ülekanne on kahjustunud;
- kui V-rihm on kahjustunud.

## 12. VEAOTSING



**HOIATUS:** Tõmmake toitejuhtme pistik alati enne muruniiduki hooldamist või puhastamist vooluvõrgust välja ja oodake, kuni lõiketera on täielikult seiskunud.

Rike	Rikke kõrvaldamine
Mootor ei tööta	Kontrollige elektriikaablit. Käivitage mootor madala rohuga alal või seal, kus rohi on juba niidetud. Puhastage tühjendusrenni/korpust – lõiketera peab vabalt pöörlema. Reguleerige lõikekõrgust.
Mootori võimsus langeb	Reguleerige lõikekõrgust. Puhastage tühjendusrenni/korpust. Laske lõiketera teritada/välja vahetada → volitatud hooldusteeninduses.
Rohukoguja ei täitu	Reguleerige lõikekõrgust. Laske murul ära kuivada. Laske lõiketera teritada/välja vahetada → volitatud hooldusteeninduses. Puhastage rohkoguja võret. Puhastage tühjendusrenni/korpust.
Rattavedu ei funktsioneer	Reguleerige painduvat kaablit. Laske V-rihma/ülekanne kontrollida → volitatud hooldusteeninduses. Kontrollige, ega vedavad rattad pole kahjustunud.



**ETTEVAATUST:** Kõiki rikkeid, mida antud tabelis ei ole näidatud, võivad kõrvaldada ainult Makita ametliku hooldusteeninduse töötajad.

# 13. KASUTUSEST KÕRVALDAMINE KESKKONNAOHUTUL VIISIL



Vastavalt ELi elektri- ja elektroonikaseadmete direktiivile 2002/96/EÜ ja selle riiklikele ülevõtmisõigusaktidele tuleb kõik elektriseadmed koguda kokku eraldi ja töödelda ümber keskkonnale ohutul viisil.

Alternatiivne viis kasutusest kõrvaldamiseks: kui elektritööriista või -seadme omanik ei tagasta kasutusest kõrvaldatud tööriista või seadet tootjale, peab ta selle viima kindlaksmääratud jäätmekogumispunkti, kus seade valmistatakse ette keskkonnasäästlikuks ümbertöötlemiseks.

Nimetatud nõue ei kehti tarvikute ning tööriistade ja seadmete kohta, millel puuduvad elektrilised või elektroonilised komponendid.

## **Ainult Euroopa riigid EÜ vastavusdeklaratsioon**

**Makita korporatsiooni vastutava tootjana kinnitame,  
et alljärgnev(ad) Makita seade (seadmed):**

Masina tähistus: Muruniiduk

Mudeli nr/tüüp: ELM3311, ELM3711

Tehnilised andmed: vt „4. TEHNILISED ANDMED“ on seeriatootmises ning

**vastab järgmiste Euroopa direktiivide nõuetele:**

2004/108/EÜ, 2006/42/EÜ, 2000/14/EÜ ja 2005/88/EÜ, 2006/95/EÜ

Ning on toodetud vastavalt järgmistele standarditele või standardiseeritud dokumentidele:

EN 60335, EN 62233, EN 55014, EN 61000

Tehnilist dokumentatsiooni hoitakse ettevõttes:

Makita International Europe Ltd.,

Michigan Drive, Tongwell,

Milton Keynes, MK15 8JD, Inglismaa

Vastavushindamise protseduur direktiivi 2000/14/EÜ alusel oli kooskõlas lisaga VI.

Teavitatud asutus:

TÜV SÜD Industrie Service GmbH

Westendstraße 199, D-80686 München

ID-number: 0036

Mudel: ELM3311

Mõõdetud müratugevuse tase: 87,7 dB (A)

Garanteeritud müratugevuse tase: 96 dB (A)

Mudel: ELM3711

Mõõdetud müratugevuse tase: 91,0 dB (A)

Garanteeritud müratugevuse tase: 96 dB (A)

30. 11. 2012

Tomoyasu Kato

Direktor

Makita Corporation

3-11-8, Sumiyoshi-cho,

Anjo, Aichi, 446-8502, JAPAN



**Objaśnienia do widoku ogólnego**

- |                              |                           |                              |
|------------------------------|---------------------------|------------------------------|
| 1. Górna część uchwyty       | 9. Przednie koło          | 17. Kołpak koła przedniego   |
| 2. Blok przełącznika         | 10. Pokrywa silnika       | 18. Przednie koło            |
| 3. Przycisk blokujący        | 11. Dolna część uchwyty   | 19. Wspornik koła przedniego |
| 4. Dźwignia blokady          | 12. Zaczep przewodu       | 20. Pokrywa tylna            |
| 5. Opaska zaciskowa przewodu | 13. Uchwyty przełącznika  | 21. Wskaźnik poziomu         |
| 6. Kosz na trawę             | 14. Kołpak koła tylnego   | 22. Lampka wskaźnika         |
| 7. Tylnie koło               | 15. Tylnie koło           |                              |
| 8. Korpus                    | 16. Wspornik koła tylnego |                              |

**POZNAJ SWOJĄ ELEKTRYCZNĄ KOSIARKĘ DO TRAWY**

Należy uważnie przeczytać niniejszą instrukcję, przestrzegając zawartych w niej zaleceń, dotyczących bezpieczeństwa przed, podczas i po zakończeniu użytkowania elektrycznej kosiarki do trawy. Przestrzeganie tych prostych wskazówek pozwoli również utrzymać elektryczną kosiarkę do trawy w dobrym stanie technicznym. Należy zapoznać się z elementami sterowania kosiarki przed rozpoczęciem jej użytkowania; przede wszystkim należy jednak wiedzieć, jak ją zatrzymać w sytuacji awaryjnej. Należy zachować niniejszą instrukcję i wszystkie inne dokumenty dotyczące kosiarki do przyszłego wykorzystania.

**1. SYMBOLE UMIESZCZONE NA URZĄDZENIU**

Należy uważnie przeczytać niniejszą instrukcję przed rozpoczęciem użytkowania elektrycznej kosiarki do trawy i przechowywać ją w bezpiecznym miejscu do późniejszych konsultacji.



Osoby postronne nie powinny zbliżać się do kosiarki.



Należy uważać na ostre krawędzie noży.



Należy odłączyć zasilanie urządzenia przed wykonaniem czynności konserwacyjnych lub w przypadku uszkodzenia przewodu.



**SYMBOL OSTRZEGAJĄCY O ZAGROŻENIU:** Oznacza ważną uwagę lub ostrzeżenie; może występować wraz z innymi symbolami lub rysunkami.

**PODWÓJNA IZOLACJA**

Kosiarka posiada podwójną izolację.

Oznacza to, że wszystkie części zewnętrzne są odizolowane elektrycznie od zasilania. Wykorzystano do tego celu materiał izolacyjny, znajdujący się pomiędzy częściami elektrycznymi oraz mechanicznymi.

**2. OGÓLNE ZASADY BEZPIECZEŃSTWA**

Zasady bezpieczeństwa mają zwrócić uwagę użytkownika na potencjalne zagrożenia. Symbole bezpieczeństwa oraz towarzyszące im objaśnienia wymagają szczególnej uwagi i zrozumienia. Ostrzeżenia dotyczące bezpieczeństwa same w sobie nie eliminują żadnego zagrożenia. Instrukcje lub ostrzeżenia nie zastępują odpowiednich środków zapobiegawczych.



**OSTRZEŻENIE:** Nieprzestrzeganie ostrzeżenia dotyczącego bezpieczeństwa może spowodować poważne obrażenia u użytkownika lub osób trzecich. Należy zawsze przestrzegać środków ostrożności, aby zmniejszyć ryzyko pożaru, porażenia prądem i obrażeń. Należy zachować niniejszą instrukcję obsługi i często do niej sięgać, aby zapewnić bezpieczną obsługę urządzenia oraz w razie potrzeby poinstruować w tym zakresie inne osoby, które z niego korzystają.



**OSTRZEŻENIE:** Podczas pracy urządzenie wytwarza pole elektromagnetyczne. W pewnych warunkach pole to może zakłócać pracę aktywnych lub pasywnych implantów medycznych. Aby zmniejszyć ryzyko poważnych lub śmiertelnych obrażeń, zalecamy osobom z implantami medycznymi skonsultowanie się z lekarzem i producentem implantów medycznych przed przystąpieniem do obsługi tego urządzenia.



**OSTRZEŻENIE:** Użytkowanie dowolnego urządzenia może spowodować wyrzucanie przedmiotów – w przypadku, gdy dostaną się do oczu, mogą spowodować poważne uszkodzenie wzroku. Przed rozpoczęciem pracy z elektronarzędziem należy zawsze założyć gogle lub okulary ochronne z bocznymi osłonami, a w razie potrzeby pełną maskę chroniącą twarz. Zalecamy stosowanie maski bezpieczeństwa o szerokim kącie widzenia „Wide Vision” nakładanej na okulary lub

standardowych okularów ochronnych z bocznymi osłonami.

- 1) Należy uważnie przeczytać niniejszą instrukcję. Należy zapoznać się z elementami sterowania i zasadami właściwego użytkowania urządzenia.
- 2) Nie wolno dopuszczać, aby elektryczną kosiarkę do trawy używały dzieci lub osoby, które nie zapoznały się z niniejszą instrukcją. Lokalne przepisy mogą ograniczać wiek użytkownika urządzenia.
- 3) Nie wolno kosić, gdy w pobliżu znajdują się inne osoby (zwłaszcza dzieci) oraz zwierzęta.
- 4) Należy pamiętać, że operator lub użytkownik odpowiada za wypadki lub niebezpieczeństwa zagrażające innym osobom lub ich mieniu.
- 5) Podczas koszenia należy zawsze nosić odpowiednio mocne obuwie i długie spodnie. Nie wolno używać urządzenia, nie mając na stopach obuwia lub nosząc otwarte sandały.
- 6) Należy dokładnie sprawdzić obszar, na którym ma być użytkowana kosiarka i usunąć wszystkie przedmioty, które mogą zostać wyrzucone przez urządzenie.
- 7) Przed rozpoczęciem użytkowania należy sprawdzić urządzenie, aby upewnić się, że noże, śruby mocujące noże oraz układ tnący nie są zużyte lub uszkodzone. W przypadku zużycia lub uszkodzenia noży lub śrub mocujących należy wymienić cały zestaw, aby układ tnący był odpowiednio wyważony.
- 8) Należy kosić tylko przy świetle dziennym lub odpowiednio silnym sztucznym oświetleniu.
- 9) W miarę możliwości należy unikać koszenia mokrej trawy.
- 10) Podczas pracy na pochyłościach należy pamiętać, aby pewnie stać na podłożu.
- 11) Podczas koszenia należy chodzić, a nie biegać.
- 12) W przypadku kosiarek kołowych należy kosić zawsze w poprzek pochyłości, nigdy pod górę lub w dół.
- 13) Należy zachować szczególną ostrożność przy zmianie kierunku na pochyłościach.
- 14) Nie kosić pochyłości o bardzo dużym kącie nachylenia.
- 15) Należy zachować najwyższą ostrożność przy cofaniu lub przyciąganiu elektrycznej kosiarki do trawy do siebie.
- 16) Należy wyłączyć elektryczną kosiarkę do trawy w przypadku konieczności jej przechylenia w celu przebycia przez inną powierzchnię niż trawa oraz na czas przejazdu do i z obszaru, na którym będzie użytkowana elektryczna kosiarka do trawy.
- 17) Nie użytkować elektrycznej kosiarki do trawy z uszkodzonymi osłonami lub ze zdjętymi zabezpieczeniami, takimi jak wyrzutnik lub kosz na trawę.
- 18) Silnik należy uruchamiać zgodnie z instrukcją, stojąc z dala od noży.
- 19) Nie przechylać elektrycznej kosiarki do trawy przy uruchamianiu silnika, poza sytuacjami, gdy przechylenie elektrycznej kosiarki do trawy jest konieczne do uruchomienia. W takim przypadku nie przechylać kosiarki bardziej, niż jest to absolutnie konieczne i unosić tylko tę część kosiarki, która jest oddalona od użytkownika.
- 20) Nie uruchamiać silnika, stojąc przed wyrzutnikiem.
- 21) Nie zbliżać dłoni ani stóp do części obrotowych. Nigdy nie należy stawać przed otworem wyrzutnika.

- 22) Nie podnosić ani przenosić elektrycznej kosiarki do trawy, gdy silnik pracuje.
- 23) Należy zatrzymać silnik i odłączyć zasilanie:
  - przed usuwaniem trawy blokującej nóż lub odblokowaniem wyrzutnika;
  - przed sprawdzaniem, czyszczeniem lub pracą przy elektrycznej kosiarce do trawy;
  - po uderzeniu o przeszkodę. Należy sprawdzić, czy elektryczna kosiarka do trawy nie jest uszkodzona i dokonać ewentualnej naprawy przed ponownym uruchomieniem i użytkowaniem elektrycznej kosiarki do trawy.
  - jeśli elektryczna kosiarka do trawy zaczyna wibrować w nietypowy sposób (należy natychmiast sprawdzić przyczynę).
- 24) Zatrzymać kosiarkę:
  - zawsze, gdy elektryczna kosiarka do trawy zostanie pozostawiana bez nadzoru.
- 25) Należy sprawdzić, czy wszystkie nakrętki, wkręty i śruby są dokręcone, co pozwoli utrzymać urządzenie w odpowiednim stanie technicznym.
- 26) Należy często sprawdzać, czy kosz na trawę nie jest zużyty lub uszkodzony.
- 27) Ze względów bezpieczeństwa należy wymieniać zużyte lub uszkodzone części.
- 28) Nie wolno użytkować elektrycznej kosiarki do trawy, jeśli przewody są zużyte lub uszkodzone.
- 29) Nie wolno podłączać uszkodzonego przewodu do gniazda zasilania ani dotykać uszkodzonego przewodu, gdy jest on jeszcze podłączony do zasilania. Uszkodzony przewód grozi porażeniem prądem elektrycznym.
- 30) Nie dotykać noża, zanim urządzenie nie zostanie odłączone od zasilania, a nóż całkowicie się nie zatrzyma.
- 31) Należy uważać, aby przewody przedłużające nie znalazły się w pobliżu noża. Nóż może uszkodzić przewody, co grozi porażeniem prądem elektrycznym.
- 32) Odłączyć zasilanie (tj. wyjąć wtyczkę z gniazda zasilającego):
  - zawsze, gdy urządzenie pozostaje bez nadzoru;
  - przed usunięciem blokady;
  - przed sprawdzaniem, czyszczeniem lub pracą przy urządzeniu;
  - po uderzeniu o przeszkodę;
  - gdy urządzenie zaczyna wibrować w nietypowy sposób.
- 33) Należy uważać, aby dzieci nie bawiły się urządzeniem.
- 34) Opiswane urządzenie nie jest przeznaczone do użycia przez osoby (w tym dzieci) niebędące w pełni władz fizycznych, poznawczych lub umysłowych, bądź nieposiadające odpowiedniej wiedzy i doświadczenia, o ile osoba odpowiedzialna za ich bezpieczeństwo nie zapewni odpowiedniego nadzoru i nie przekaze wskazówek dotyczących użytkowania urządzenia.
- 35) Jeśli przewód zasilający jest uszkodzony, należy go wymienić na odpowiedni przewód lub cały układ dostępny u producenta lub jego przedstawiciela.
- 36) Instrukcje bezpiecznego użytkowania urządzenia zawierają zalecenie, aby urządzenie było zasilane przez układ zabezpieczony wyłącznikiem

różnicowoprądowym o prądzie załączającym nie wyższym niż 30 mA.

- 37) Zachować ostrożność podczas regulacji urządzenia w celu niedopuszczenia do utknięcia palców pomiędzy poruszającymi się nożami oraz zamocowanymi na stałe częściami urządzenia.
- 38) Przed schowaniem urządzenia należy zawsze odczekać aż ono ostygnie.
- 39) Podczas naprawy noży należy pamiętać, że nawet w przypadku odcięcia zasilania, noże nadal mogą się poruszać.
- 40) Ze względów bezpieczeństwa należy wymieniać zużyte lub uszkodzone części. Używać tylko oryginalnych części zamiennych oraz akcesoriów.
- 41) Zachować ostrożność podczas regulacji urządzenia w celu niedopuszczenia do utknięcia palców pomiędzy

poruszającymi się nożami oraz zamocowanymi na stałe częściami urządzenia.

- 42) Przed użyciem należy sprawdzić, czy przewody zasilające i przedłużające nie wykazują śladów uszkodzenia lub zużycia. Jeśli przewód zostanie uszkodzony podczas użytkowania urządzenia, należy go natychmiast odłączyć od zasilania. **NIE DOTYKAĆ PRZEWODU PRZED JEGO ODŁĄCZENIEM OD ZASILANIA.** Nie używać urządzenia, jeśli przewód jest zużyty lub uszkodzony.
- 43) Jeżeli przewód zasilający jest uszkodzony, ze względów bezpieczeństwa musi zostać wymieniony przez producenta, jego autoryzowany serwis lub osobę o podobnych kwalifikacjach.

### 3. OPIS CZĘŚCI (Rys. 1)

## 4. DANE TECHNICZNE

Model:	ELM3311	ELM3711
Napięcie znamionowe:	230 V~	230 V~
Częstotliwość znamionowa:	50 Hz	50 Hz
Moc znamionowa:	1 100 W	1 300 W
Prędkość bez obciążenia:	2 900 obr/min	2 900 obr/min
Szerokość cięcia:	330 mm	370 mm
Gwarantowany poziom mocy akustycznej:	96 dB (A)	96 dB (A)
$L_{pA}$ (SPL) w miejscu pracy:	75,4 dB (A), K=3 dB (A)	77,6 dB (A), K=3 dB (A)
Gwarantowane drgania:	0,672 m/s <sup>2</sup> , K=1,5 m/s <sup>2</sup>	0,917 m/s <sup>2</sup> , K=1,5 m/s <sup>2</sup>
Pojemność kosza na trawę:	27 l	35 l
Masa netto:	13,1 kg	14,9 kg
Stopień ochrony przed cieczami:	IP24	IP24
Regulacja wysokości:	20/40/55 mm, 3 stopniowa	20/40/55 mm, 3 stopniowa

## 5. MONTAŻ

### 5-1 MONTAŻ KOŁA

Umieścić oś kołpaka przedniego i tylnego w kole, a następnie przykręcić w otworze wspornika koła. **(Rys. 2)**



**OSTRZEŻENIE:** Wszystkie koła muszą być umieszczone na tej samej wysokości.

### 5-2 MONTAŻ SKŁADANEGO UCHWYTU

- A) Umieścić dolne części uchwytu w otworach montażowych korpusu, a następnie przymocować śrubokrętem za pomocą dołączonych wkrętów. **(Rys. 3, Rys. 4, Rys. 5)**
- B) Połączyć górną i dolną część uchwytu przy użyciu dźwigni blokady. **(Rys. 6, Rys. 7)**
- C) Umieścić przewód na środkowym odcinku dolnej części uchwytu przy użyciu opaski zaciskowej przewodu, aby przewód był zamocowany na zewnątrz uchwytu. W przeciwnym wypadku przewód może zostać pochwycony podczas otwierania/zamykania tylnej pokrywy. **(Rys. 8)**

### 5-3 MONTAŻ KOSZA NA TRAWĘ

1. Aby zamocować: należy umieścić tylną pokrywę i zaczepić kosz na trawę na tylnej części korpusu kosiarki. **(Rys. 9, Rys. 10, Rys. 11)**

2. Aby zdjąć: chwycić i umieścić tylną pokrywę, a następnie zdjąć kosz na trawę.

Na górze kosza na trawę znajduje się wskaźnik poziomu wskazujący czy kosz jest napełniony, czy pusty **(Rys. 12A, Rys. 12B):**

- Wskaźnik poziomu zostanie napełniony powietrzem, jeśli kosz nie jest pełny podczas koszenia. **(Rys. 12B)**
- W przypadku całkowitego napełnienia kosza wskaźnik opadnie. W takiej sytuacji należy niezwłocznie przerwać koszenie, a następnie opróżnić kosz, upewniając się, że jest czysty oraz że jego otwory nie są pozapychane. **(Rys. 12A)**

#### WAŻNE

Jeżeli miejsce otworu wskaźnika jest bardzo zabrudzone, wskaźnik nie zostanie napełniony powietrzem. W takiej sytuacji należy niezwłocznie oczyścić miejsce otworu wskaźnika.

## 6. REGULACJA WYSOKOŚCI KOSZENIA

Wysokość koszenia reguluje się, mocując koła w odpowiednich otworach.

Wszystkie koła muszą być umieszczone na tej samej wysokości.

Wysokość (noża od podłoża) może być regulowana w zakresie od 20 mm do 55 mm (3 ustawienia wysokości).

**(Rys. 13)**

Ustawienie najniższe: 20 mm, (ustawienie (1)); ustawienie środkowe: 40 mm, (ustawienie (2)); ustawienie najwyższe: 55 mm (ustawienie (3)).



**OSTRZEŻENIE:** Odłączyć przewód elektryczny od zasilania.



**OSTRZEŻENIE:** Wysokość można regulować tylko wtedy, gdy nóż jest wyłączony.

## 7. ZASADY BEZPIECZEŃSTWA

- Kosiarkę można użytkować tylko wtedy, gdy wyrzutnik lub kosz na trawę znajdują się w prawidłowym położeniu.
- Należy zawsze zatrzymać silnik przed zdjęciem kosza na trawę lub zmianą wysokości koszenia.
- Przed rozpoczęciem koszenia należy usunąć z trawnika wszystkie przedmioty, które mogłyby zostać wyrzucone przez urządzenie. Podczas koszenia należy uważać na ewentualne przedmioty, które mogły zostać pominięte. **(Rys. 14)**
- Nie wolno unosić tylnej części kosiarki podczas jej używania lub uruchamiania silnika. **(Rys. 15)**
- Nie wolno wsuwać dłoni ani stóp pod korpus kosiarki lub do wyrzutnika, gdy silnik pracuje. **(Rys. 16)**

## 8. ROZRUCH

Przed podłączeniem elektrycznej kosiarki do trawy do zasilania należy upewnić się, że napięcie zasilania wynosi 230 V ~ 50 Hz.

Przed uruchomieniem elektrycznej kosiarki do trawy należy zamocować przewód przedłużacza w zaczepek przewodu. **(Rys. 17)**

Gdy elektryczna kosiarka do trawy jest włączona, świeci się lampka wskaźnika. **(Rys. 18)**

Uruchomić silnik w następujący sposób. **(Rys. 19)**

- Nacisnąć przycisk blokujący (1).
- Jednocześnie pociągnąć i przytrzymać uchwyt przełącznika (2).

W momencie gdy silnik znajduje się w trybie pracy, należy popchnąć elektryczną kosiarkę do trawy w kierunku do przodu.

Jeśli uchwyt przełącznika zostanie zwolniony, silnik zatrzyma się.



**UWAGA:** Nóż zaczyna się obracać, gdy tylko silnik zostanie uruchomiony.



**OSTRZEŻENIE:** Elementy tnące obracają się nawet po wyłączeniu silnika.

## 9. NÓŻ

Nóż wykonany jest ze stali tłozonej. Konieczne jest jego częste ostrzenie (przy użyciu tarczy szlifierskiej).

Należy upewnić się, że nóż jest prawidłowo wyważony (niewyważony nóż powoduje niebezpieczne wibracje).

Aby sprawdzić wyważenie, należy umieścić okrągły pręt w otworze środkowym i podeprzeć nóż w poziomie.

**(Rys. 20)** Wyważony nóż pozostanie w pozycji poziomej. Jeśli nóż nie jest wyważony, cięższy koniec opadnie w dół.

Należy zeszlifować cięższy koniec, aby ponownie wyważyć nóż. **(Rys. 21)** Aby zdemontować nóż (2),

należy odkręcić śrubę mocującą (3). **(Rys. 22, Rys. 23, Rys. 24)**

Sprawdzić stan wentylatora (1) i wymienić ewentualne, uszkodzone części. **(Rys. 22)**

Podczas ponownego montażu należy upewnić się, że krawędzie tnące są ustawione zgodnie z kierunkiem obrotu silnika. Śruba mocująca nóż (3) musi być dokręcona momentem 20-25 Nm.



**OSTRZEŻENIE:** W przypadku naprawy należy wymienić nóż na następujący: MAKITA 263001422 (w przypadku modelu ELM3311) oraz MAKITA 263001414 (w przypadku modelu ELM3711).

## 10. PRZEDŁUŻACZE

Należy używać wyłącznie przedłużaczy przeznaczonych do użytku na zewnątrz, przewody z izolacją o przekroju poprzecznym nie mniejszym niż 1,0 mm<sup>2</sup>.

Przed użyciem należy sprawdzić, czy przewody zasilające i przedłużające nie wykazują śladów zużycia lub uszkodzenia – w takim przypadku należy je odłączyć. Jeśli przewód zostanie uszkodzony podczas użytkowania urządzenia, należy go natychmiast odłączyć od zasilania. **NIE DOTYKAĆ PRZEWODU PRZED JEGO ODŁĄCZENIEM OD ZASILANIA.** Nie używać urządzenia, jeśli przewód jest zużyty lub uszkodzony. Należy uważać, aby przewód przedłużający nie znalazł się w pobliżu elementów tnących.



**OSTRZEŻENIE:** Należy zawsze utrzymywać otwory wentylacyjne w stanie czystym i wolnym od zanieczyszczeń.

## 11. OBSŁUGA I KONSERWACJA



**OSTRZEŻENIE:** Przed rozpoczęciem czyszczenia lub konserwacji należy zawsze odłączyć wtyczkę od zasilania!

Nie spryskiwać urządzenia wodą. Woda może uszkodzić blok włącznika oraz silnik elektryczny. Urządzenie należy czyścić przy użyciu szmatki, szczotki itp.

**W następujących przypadkach wymagana jest kontrola przeprowadzona przez specjalistę – należy skontaktować się z autoryzowanym punktem serwisowym firmy Makita i nie należy samemu przeprowadzać napraw:**

- Jeśli elektryczna kosiarka do trawy uderzy w jakiś przedmiot.
- Jeśli silnik nagle zatrzyma się.
- Jeśli nóż jest wygięty (nie wolno go prostować!).
- Jeśli wał silnika jest wygięty (nie wolno go prostować!).
- Jeśli wystąpi zwarcie po podłączeniu zasilania.
- Jeśli zostaną uszkodzone koła zębate.
- Jeśli zostanie uszkodzony pasek klinowy.

## 12. WYKRYWANIE I USUWANIE USTEREK



**OSTRZEŻENIE:** Przed rozpoczęciem czyszczenia lub konserwacji należy zawsze odłączyć przewód od zasilania i poczekać, aż nóż przestanie się obracać.

Usterka	Rozwiązanie
Silnik nie uruchamia się	Sprawdzić przewód zasilający. Rozpocząć na obszarze z krótszą trawą lub już skoszonym. Oczyszczyć wyrzutnik/wnętrze korpusu – nóż powinien obracać się swobodnie. Ustawić prawidłową wysokość koszenia.
Spada moc silnika	Ustawić prawidłową wysokość koszenia. Oczyszczyć wyrzutnik/wnętrze korpusu. Naostrzyć/wymienić nóż tnący → w autoryzowanym punkcie serwisowym.
Kosz na trawę nie wypełnia się	Ustawić prawidłową wysokość koszenia. Poczekać, aż trawnik wyschnie. Naostrzyć/wymienić nóż tnący → w autoryzowanym punkcie serwisowym. Oczyszczyć kratkę kosza na trawę. Oczyszczyć wyrzutnik/wnętrze korpusu.
Napęd kół nie działa	Poprawić elastyczny przewód. Sprawdzić pasek klinowy/koła zębate → w autoryzowanym punkcie serwisowym. Sprawdzić, czy koła napędowe pod kątem uszkodzenia.



**UWAGA:** Usterki, których nie można usunąć zgodnie ze wskazówkami z niniejszej tabeli, mogą być usunięte tylko przez autoryzowany punkt serwisowy firmy Makita.

## 13. UTYLIZACJA PRZYJAZNA DLA ŚRODOWISKA



Zgodnie z dyrektywą UE 2002/96/WE dotyczącą urządzeń elektrycznych i elektronicznych oraz jej implementacją w ramach przepisów krajowych, wszystkie urządzenia elektryczne powinny być gromadzone oddzielnie od innych odpadów i utylizowane w sposób przyjazny dla środowiska.

Alternatywne sposoby utylizacji: Jeśli właściciel urządzenia elektrycznego nie zwróci go do producenta, wówczas odpowiada za przekazanie go do wyznaczonego punktu zbiórki, co pozwoli przygotować urządzenie do utylizacji zgodnie z krajowymi przepisami dotyczącymi utylizacji odpadów.

Nie dotyczy to akcesoriów oraz narzędzi bez układów elektrycznych lub elektronicznych.

**Dotyczy tylko krajów europejskich**

**Deklaracja zgodności WE**

**Firma Makita Corporation, jako odpowiedzialny producent, niniejszym oświadcza, że poniższe narzędzie marki Makita:**

Oznaczenie maszyny: Elektryczna Kosiarka do Trawy  
Model/typ: ELM3311, ELM3711

Dane techniczne: Patrz „4. DANE TECHNICZNE” są produkowane seryjnie oraz

**spełniają wymagania następujących dyrektyw Unii Europejskiej:**

2004/108/WE, 2006/42/WE, 2000/14/WE i 2005/88/WE, 2006/95/WE

i są produkowane zgodnie z następującymi normami lub dokumentami normalizacyjnymi:

EN 60335, EN 62233, EN 55014, EN 61000

Dokumentacja techniczna przechowywana jest przez:

Makita International Europe Ltd.,  
Michigan Drive, Tongwell,  
Milton Keynes, MK15 8JD, Wielka Brytania

Procedura oceny zgodności wymagana przez Dyrektywę 2000/14/WE została przeprowadzona zgodnie z Załącznikiem VI.

Jednostka notyfikowana:

TÜV SÜD Industrie Service GmbH  
Westendstraße 199, D-80686 München  
Numer identyfikacyjny: 0036

Model: ELM3311

Zmierzony poziom mocy akustycznej: 87,7 dB (A)  
Gwarantowany poziom mocy akustycznej: 96 dB (A)

Model: ELM3711

Zmierzony poziom mocy akustycznej: 91,0 dB (A)  
Gwarantowany poziom mocy akustycznej: 96 dB (A)

30. 11. 2012

Tomoyasu Kato  
Dyrektor

Makita Corporation  
3-11-8, Sumiyoshi-cho,  
Anjo, Aichi, 446-8502, JAPAN

**Az általános nézeti rajz magyarázata**

- |                         |                              |                             |
|-------------------------|------------------------------|-----------------------------|
| 1. Felső fogantyú       | 9. Első kerék                | 17. Elsőkerék-fedél         |
| 2. Kapcsolódoboz        | 10. Motorburkolat            | 18. Első kerék              |
| 3. Biztonsági nyomógomb | 11. Alsó fogantyú            | 19. Elsőkerék-felfüggesztés |
| 4. Reteszelőkar         | 12. Kábel-tehermentesítő     | 20. Hátsó fedél             |
| 5. Kábelrögzítő bilincs | 13. Kapcsolókar              | 21. Szintjelző              |
| 6. Fűgyújtó             | 14. Hátsókerék-fedél         | 22. Jelzőlámpa              |
| 7. Hátsó kerék          | 15. Hátsó kerék              |                             |
| 8. Vágóaljat (penge)    | 16. Hátsókerék-felfüggesztés |                             |

**ISMERJE MEG A FŰNYÍRÓJÁT**

Figyelmesen olvassa el ezt a használati utasítást. A javasolt biztonsági utasításokat tartsa be a fűnyíró használata előtt, közben és után. Ezeknek az egyszerű utasításoknak a betartásával a fűnyírót megfelelően üzemkész állapotban tarthatja. Mielőtt a gépet működésbe hozná, ismerkedjen meg a fűnyíró kezelőszerveivel, és legyen tisztában a fűnyíró vészleállítással. Őrizze meg ezt a használati utasítást és a fűnyíróhoz tartozó minden egyéb dokumentumot a későbbi tájékozódás érdekében.

**1. A TERMÉKEN TALÁLHATÓ JELZÉSEK**



A fűnyíró használata előtt figyelmesen olvassa el ezt a használati utasítást, és tartsa biztonságos helyen a későbbi tájékozódás érdekében.



A gép használatakor ne engedjen senkit annak közelébe.



Vigyázzon, a pengék élesek.



Karbantartás előtt, vagy ha a vezeték megsérült, húzza ki a dugót a fűnyíróból.



**BIZTONSÁGI FIGYELMEZTETÉS JELZÉSE:** Óvatosságra int, illetve egyéb szimbólumokkal vagy képekkel együtt alkalmazva figyelmeztetést jelent.

**KETTŐS SZIGETELÉS**



A fűnyíró kettős szigeteléssel van ellátva.

Ez azt jelenti, hogy minden külső alkatrésze elektromosan szigetelve van a tápfeszültségtől. A kettős szigetelés úgy

van kialakítva, hogy további szigetelés található az elektromos és a mechanikus alkatrészek között.

**2. ÁLTALÁNOS BIZTONSÁGI RENDSZABÁLYOK**

A biztonsági szabályok célja a felhasználó figyelmének felhívása a lehetséges veszélyekre. A biztonsági jelzések és azok magyarázatai odafigyelést és megértést igényelnek. A biztonsági figyelmeztetések önmagukban nem hárítják el a veszélyt. Az utasítások vagy a bennük foglalt figyelmeztetések nem helyettesítik a megfelelő baleset-megelőző lépéseket.



**FIGYELEM:** A biztonsági figyelmeztetések be nem tartása súlyos sérülést okozhat az Ön vagy mások számára. Mindig tartsa be a biztonsági óvintézkedéseket a tűz, az áramütés és személyi sérülés kockázatának csökkentése érdekében. Tartsa meg a használati utasítást, és rendszeresen tekintse át a biztonságot üzemeltetés és fenntartása, illetve azon személyek tájékoztatása érdekében, akik a gépet használhatják.



**FIGYELEM:** A gép elektromágneses mezőt kelt működés közben. Ez az elektromágneses mező bizonyos körülmények között zavarhatja az emberi szervezetbe beültetett aktív vagy passzív implantátumokat. Az esetleges súlyos vagy halálos következmény elkerülése érdekében javasoljuk, hogy a beültetett implantátummal élő személy a gép használata előtt konzultáljon orvosával és az implantátum gyártójával.



**FIGYELEM:** A gép üzemeltetésekor idegen tárgyak repülhetnek ki belőle, melyek a szembe jutva annak súlyos károsodását okozhatják. Az elektromos gép használata előtt vegyen fel oldalsó védelemmel rendelkező munkavédelmi szemüveget, illetve szükség esetén teljes arcvédő maszkot. A széles látókörű munkavédelmi maszk szemüveg feletti használatát vagy oldalsó védelemmel rendelkező munkavédelmi szemüvegek alkalmazását javasoljuk.

- 1) Az utasításokat figyelmesen olvassa el. Sajáttítsa el a gép helyes használatát és kezelőszervek működését.
- 2) Soha ne engedje, hogy gyermekek vagy ezen utasításokat nem ismerő személyek használják a fűnyírót. Előfordulhat, hogy a helyi törvények rendelkeznek a kezelő életkorát illetően.

- 3) Ne végezzen fűnyírást, ha emberek – különösen gyermekek – vagy háziállatok tartózkodnak a közelben.
- 4) Ne feledje, hogy a kezelő, illetve felhasználó felelős a balesetekért, vagy a más személyekkel vagy tulajdonnal szembeni veszélyhelyzetekért.
- 5) Fűnyírás közben mindig megfelelő lábbelit és hosszú nadrágot viseljen. Ne működtesse a gépet mezítláb vagy nyitott szandálban.
- 6) Alaposan vizsgálja meg azt a területet, ahol a fűnyírót használni szeretné, és távolítsa el minden olyan tárgyat, melyet a gép felkaphat és kidobhat.
- 7) Használat előtt mindig ellenőrizze szemrevételezéssel, hogy a pengék, a kés csavarjai és a vágóegység nem kopott vagy sérült-e. A kopott vagy sérült pengéket és csavarokat a kiegyensúlyozottság megtartása érdekében egyszerre, készletben cserélje.
- 8) Fűnyírást csak nappali fényben, vagy kellő mesterséges megvilágítás mellett végezzen.
- 9) Kerülje a gép nedves fűben való használatát, amennyiben ez lehetséges.
- 10) Lejtőn mindig bizonyosodjon meg lába kellő megtámasztásáról.
- 11) Sétálva haladjon, soha ne fusson.
- 12) A kerékkel ellátott, forgó mozgást végző gépeknél a lejtőn keresztbe haladjon, ne a lejtés irányában.
- 13) Különösen óvatosan járjon el a lejtőn való irányváltáskor.
- 14) Ne végezzen fűnyírást túl meredek lejtőkön.
- 15) Különösen óvatosan járjon el hátramenetben, illetve amikor a fűnyírót maga felé húzza.
- 16) Várja meg a penge megállását, ha a fűnyírót egy nem füves területen való áthaladás érdekében meg kell dönteni, illetve amikor a fűnyírót a levágandó területhez/területről szállítja.
- 17) Ne használja a fűnyírót hibás védőelemekkel, illetve biztonsági eszközök nélkül, például nem felszerelt terelelemekkel és/vagy fűgyűjtővel.
- 18) Óvatosan indítsa be a motort az utasításoknak megfelelően, és lábait tartsa kellő távolságban a pengéktől.
- 19) Ne döntse meg a fűnyírót a motor bekapcsolásakor, kivéve, ha a fűnyírót a beindításhoz meg kell dönteni. Ebben az esetben se döntse meg jobban a szükségesnél, és a fűnyírót a kezelővel ellentétes oldalát megemelve döntse meg.
- 20) Ne indítsa el a motort, amikor a kidobónyílás előtt áll.
- 21) Ne közelítse kezét és lábát forgó alkatrészekhez. A kidobónyílást mindig tartsa szabadon.
- 22) Járó motorú fűnyírót ne emeljen fel és ne szállítson.
- 23) Állítsa le a motort, és húzza ki a gépet a hálózati aljzatból:
  - mielőtt eltömődést szüntet meg vagy megtisztítja a kidobónyílást;
  - ellenőrzés, tisztítás vagy a fűnyírón való munkavégzés előtt;
  - idegen tárgyba ütközés után. Vizsgálja meg, hogy a fűnyíró nem sérült-e meg, és szükség esetén végezze el a szükséges javításokat az ismételt elindítás és használat előtt;
  - ha a fűnyíró rendellenes vibrációját tapasztalja (keresse meg azonnal az okát).
- 24) Állítsa le a fűnyírót:
  - minden esetben, ha felügyelet nélkül hagyja a fűnyíró.
- 25) A gép biztonságos műszaki állapotának biztosítása érdekében az anyacsavarok és csavarok mindig legyenek meghúzva.
- 26) Rendszeresen ellenőrizze a fűgyűjtőt, hogy nem kopott vagy sérült-e.
- 27) A biztonság érdekében cserélje ki a kopott vagy sérült alkatrészeket.
- 28) Ne használja a fűnyíró, ha a vezetékek megsérültek vagy elhasználódtak.
- 29) Ne csatlakoztasson sérült vezetéket a hálózathoz, valamint ne nyúljon a sérült vezetékhez, amíg azt ki nem húzta a hálózathoz. A sérült vezeték zárlatot vagy áramütést okozhat.
- 30) Ne nyúljon a pengéhez, míg ki nem húzta a gépet a hálózathoz, és a penge teljesen meg nem állt.
- 31) Tartsa távol a hosszabbító kábeleket a pengétől. A penge megsértheti a kábeleket és zárlatot vagy áramütést okozhat.
- 32) A gépet ki kell húzni a hálózathoz:
  - ha a gépet felügyelet nélkül hagyja;
  - mielőtt eltömődést szüntet meg;
  - ellenőrzés, tisztítás vagy a gépen való munkavégzés előtt;
  - idegen testbe való ütközés után;
  - ha a gép rendellenesen rázkódni kezd.
- 33) Ügyelni kell arra, hogy gyermekek ne játszhassanak a géppel.
- 34) A készüléket nem használhatják csökkentett fizikai, érzékelési vagy értelmi képességű személyek (a gyerekeket is beleértve), vagy akiknek nincs meg a tapasztalatuk és tudásuk ehhez; kivéve, ha a biztonságukért felelős személy a használatra megtanítja, vagy a használat közben felügyeli őket.
- 35) Ha a hálózati csatlakozókábel megsérült, a gyártónál vagy a hivatalos szerviznél kapható kábelre kell cserélni.
- 36) A készülék biztonságos üzemeltetésére vonatkozó utasítások, beleértve azt az ajánlást is, hogy a készüléket legfeljebb 30 mA érzékenységu áramvédő kapcsolóval (fi-relé) javcsolóval ellátni.
- 37) Legyen óvatos a gép beállításakor, nehogy beszoruljon az ujj a mozgó kések és a gép rögzített alkatrészei közé.
- 38) Tárolás előtt mindig hagyja lehűlni a gépet.
- 39) A kések szervizelése során ne feledje, hogy a kések elmozdíthatók még kikapcsolt áramforrás esetén is.
- 40) A biztonság érdekében cserélje ki a kopott vagy sérült alkatrészeket. Csak eredeti pótalkatrészeket és tartozékokat használjon.
- 41) Legyen óvatos a gép beállításakor, nehogy beszoruljon az ujj a mozgó kések és a gép rögzített alkatrészei közé.
- 42) Használat előtt ellenőrizze, hogy a tápkábel és a hosszabbító kábel nem sérült-e, illetve nem használódtott-e el. Amennyiben a kábel használat közben megsérült, haladéktalanul húzza ki azt a hálózathoz. **NE NYÚLJON A KÁBELHEZ, AMIG NEM HÚZTA KI A HÁLÓZATHÓZ.** Ne használja a készüléket, ha a kábel sérült vagy elhasználódtott.
- 43) Ha a csatlakozókábel megsérült, azt a veszélyek megelőzése érdekében a gyártónak, szervizének illetve más szakképzett személynek ki kell cserélnie.

### 3. ALKATRÉSZEK ISMERTETÉSE (1. Ábra)

### 4. MŰSZAKI ADATOK

Típus:	ELM3311	ELM3711
Névleges feszültség:	230 V~	230 V~
Névleges frekvencia:	50 Hz	50 Hz
Névleges teljesítmény:	1100 W	1300 W
Terhelés nélküli fordulatszám:	2900/perc	2900/perc
Vágási szélesség:	330 mm	370 mm
Garantált hangteljesítményszint:	96 dB (A)	96 dB (A)
L <sub>pA</sub> (SPL) a felhasználó telephelyén:	75,4 dB (A), K=3 dB (A)	77,6 dB (A), K=3 dB (A)
Garantált vibráció:	0,672 m/s <sup>2</sup> , K=1,5 m/s <sup>2</sup>	0,917 m/s <sup>2</sup> , K=1,5 m/s <sup>2</sup>
Fűgújtő kapacitása:	27 l	35 l
Nettó tömeg:	13,1 kg	14,9 kg
Folyadékok elleni védetség:	IP24	IP24
Magasságállítás:	20/40/55 mm, 3 beállítás	20/40/55 mm, 3 beállítás

### 5. ÖSSZESZERELÉS

#### 5-1 A KERÉK ÖSSZESZERELÉSE

Helyezze az első és hátsó kerékfedél tengelyét a kerékbe, majd csavarja a kerékfelfüggesztés furatába. (2. Ábra)



**FIGYELEM:** Minden keréknek ugyanabban a magasságban kell lennie.

#### 5-2 AZ ÖSSZEHAJTHATÓ TOLÓKAR ÖSSZESZERELÉSE

- A) Helyezze az alsó fogantyú végeit a vágóaljzat tartófurataiba, majd csavarhúzó segítségével rögzítse a végeket a mellékelt csavarral. (3. Ábra, 4. Ábra, 5. Ábra)
- B) A fogantyú felső és alsó részét a rögzítőkarral csatlakoztassa egymáshoz. (6. Ábra, 7. Ábra)
- C) Helyezze a gázbovdent a tolókarra. Rögzítse az alsó fogantyú részére a kábelerőgítőt bilinccsel, ügyelve arra, hogy a bovdent a tolókar külseje felé nézzen. Máshogy elhelyezve a bovdent a hátsó fedél nyitása és csukása, vagy a tolókar felső részének a behajtása esetén becsípódhat. (8. Ábra)

#### 5-3 A FÜGYŰJTŐ ÖSSZESZERELÉSE

1. Felhelyezés: Emelje fel a hátsó fedelet, majd akassza a fűgújtót a fűnyíró hátuljára. (9. Ábra, 10. Ábra, 11. Ábra)
2. Eltávolítás: Emelje fel a hátsó fedelet, majd vegye le a fűgújtót.

A fűgújtő tetején egy szintjelző található, amely a fűgújtő tele vagy üres állapotát mutatja (12A. Ábra, 12B. Ábra):

- A szintjelző felfűjödik, ha a fűgújtő fűnyírás közben nincs tele. (12B. Ábra)
- Ha a fűgújtő megtelt, a szintjelző lecsukódik. Ilyen esetben azonnal hagyja abba a fűnyírást, majd ürítse ki

a fűgújtót. Győződjön meg a fűgújtő tiszta állapotáról és arról, hogy a rácsok átszellőztek. (12A. Ábra)

#### FONTOS

A szintjelző nyílásának helyén lévő erős szennyezettség esetén a szintjelző nem fűjödik fel. Ilyen esetben azonnal tisztítsa meg a szintjelző nyílásának helyét.

### 6. A VÁGÁSMAGASSÁG BEÁLLÍTÁSA

A vágási magasság beállítása a kerekek megfelelő furatba helyezésével történik.

Minden keréknek ugyanabban a magasságban kell lennie.

A magasság (a penge a tereptől) beállítható 20 mm – 55 mm (3 magassági pozíció). (13. Ábra)

A legalacsonyabb beállítás: 20 mm ((1) pozíció); a középső beállítás: 40 mm ((2) pozíció); a legmagasabb beállítás: 55 mm ((3) pozíció).



**FIGYELEM:** Húzza ki az elektromos vezetékét a háálózatból.



**FIGYELEM:** Ezt a beállítást kizárólag a penge álló helyzetében végezze.

### 7. BIZTONSÁGRA VONATKOZÓ UTASÍTÁSOK

- a) A fűnyíró mindig megfelelő helyzetbe állított terelőlemezzel és fűgújtóval működtesse.
- b) A fűgújtő eltávolítása, illetve a vágási magasság beállítása előtt mindig állítsa le a motort.
- c) Fűnyírás előtt távolítsa el minden olyan idegen objektumot a gyepről, melyet a gép felkaphat és kidobhat. Fűnyírás közben figyelje, hogy nincs-e olyan idegen tárgy, mely elkerülte a figyelmét. (14. Ábra)



- d) A motor indításakor vagy normál használat közben soha ne emelje fel a fűnyíró hátulját. **(15. Ábra)**
- e) Ne tegye a kezét vagy a lábát a vágóaljzat alá vagy a kidobónyláshoz működő motor mellett. **(16. Ábra)**

## 8. INDÍTÁS

A fűnyíró elektromos hálózathoz történő csatlakoztatása előtt ellenőrizze, hogy a hálózati feszültség 230 V ~ 50 Hz értékű-e.

A fűnyíró beindítása előtt rögzítse a hosszabbító kábelt a kábel-tehermentesítőre. **(17. Ábra)**

A fűnyíró bekapcsolt állapotát egy jelzőlámpa mutatja. **(18. Ábra)**

A következőképpen indítsa be a motort. **(19. Ábra)**

a) Nyomja be a biztonsági nyomógombot (1).

b) A gomb nyomva tartása mellett húzza meg a kapcsolókart (2), majd tartsa meghúzott állapotban.

Amikor a motor jár, kezdje el tolni a fűnyírót.

A kapcsolókar elengedésekor a motor leáll.



**VIGYÁZAT:** A motor elindulásakor a penge forogni kezd.



**FIGYELEM:** A vágóelemek a motor kikapcsolása után egy ideig még forognak.

## 9. PENGE

A fűnyíró pengéje sajtolt lemezacélból készült. A penge rendszeres újraélezést (köszörülést) igényel.

Ügyeljen arra, hogy a penge kiegyensúlyozott legyen (a kiegyensúlyozatlan penge veszélyes vibrációt okozhat). A kiegyensúlyozottság ellenőrzéséhez fűzzön át egy kör keresztmetszetű rudat a penge központi furatán, majd vízszintesen támassza meg a pengét. **(20. Ábra)**

A kiegyensúlyozott penge vízszintesen áll meg. Ha a penge nincs kiegyensúlyozva, akkor a nehezebb vége lefelé fordul. Addig köszörülje a nehezebb véget, míg a penge kiegyensúlyozottá nem válik. **(21. Ábra)**

A penge (2) eltávolításához csavarja ki a penge csavarját (3). **(22. Ábra, 23. Ábra, 24. Ábra)**

Ellenőrizze a ventilátor (1) állapotát, és cseréljen ki minden sérült alkatrészt. **(22. Ábra)**

Összeszereléskor ügyeljen arra, hogy a vágóelemek a motor forgási irányába nézzenek. A penge csavarját (3) 20–25 Nm nyomatékkal kell meghúzni.

**FIGYELEM:** Szervizeléskor a pengét kizárólag MAKITA 263001422 (ELM3311 típus), illetve MAKITA 263001414 (ELM3711 típus) típusú pengére cserélje.

**FIGYELEM:** Szervizeléskor a pengét kizárólag MAKITA 263001422 (ELM3311 típus), illetve MAKITA 263001414 (ELM3711 típus) típusú pengére cserélje.

**FIGYELEM:** Szervizeléskor a pengét kizárólag MAKITA 263001422 (ELM3311 típus), illetve MAKITA 263001414 (ELM3711 típus) típusú pengére cserélje.

**FIGYELEM:** Szervizeléskor a pengét kizárólag MAKITA 263001422 (ELM3311 típus), illetve MAKITA 263001414 (ELM3711 típus) típusú pengére cserélje.

**FIGYELEM:** Szervizeléskor a pengét kizárólag MAKITA 263001422 (ELM3311 típus), illetve MAKITA 263001414 (ELM3711 típus) típusú pengére cserélje.

**FIGYELEM:** Szervizeléskor a pengét kizárólag MAKITA 263001422 (ELM3311 típus), illetve MAKITA 263001414 (ELM3711 típus) típusú pengére cserélje.

**FIGYELEM:** Szervizeléskor a pengét kizárólag MAKITA 263001422 (ELM3311 típus), illetve MAKITA 263001414 (ELM3711 típus) típusú pengére cserélje.

**FIGYELEM:** Szervizeléskor a pengét kizárólag MAKITA 263001422 (ELM3311 típus), illetve MAKITA 263001414 (ELM3711 típus) típusú pengére cserélje.

**FIGYELEM:** Szervizeléskor a pengét kizárólag MAKITA 263001422 (ELM3311 típus), illetve MAKITA 263001414 (ELM3711 típus) típusú pengére cserélje.

**FIGYELEM:** Szervizeléskor a pengét kizárólag MAKITA 263001422 (ELM3311 típus), illetve MAKITA 263001414 (ELM3711 típus) típusú pengére cserélje.

**FIGYELEM:** Szervizeléskor a pengét kizárólag MAKITA 263001422 (ELM3311 típus), illetve MAKITA 263001414 (ELM3711 típus) típusú pengére cserélje.

**FIGYELEM:** Szervizeléskor a pengét kizárólag MAKITA 263001422 (ELM3311 típus), illetve MAKITA 263001414 (ELM3711 típus) típusú pengére cserélje.

## 10. HOSSZABBÍTÓ KÁBELEK

Kizárólag kültéri használatra szánt, általános terhelésre méretezett, legalább 1,0 mm<sup>2</sup> keresztmetszetű hosszabbító kábelt használjon.

Használat előtt ellenőrizze, hogy a tápkábeleken és a hosszabbító kábeleken nem láthatók-e sérülés nyomai, illetve nem öregedtek-e el. Ne használja a kábeleket, ha azokon sérülés vagy öregedés tapasztalható.

Amennyiben a kábel használat közben megsérül,

haladéktalanul húzza ki azt a hálózatból. NE NYÚLJON A KÁBELHEZ, AMIG NEM HÚZTA KI A HÁLÓZATBÓL. Ne használja a készüléket, ha a kábel sérült vagy elhasználódott. Tartsa távol a hosszabbító kábelt a vágóelemektől.



**FIGYELEM:** Mindig ellenőrizze, hogy a szellőzőnyílásokat nem tömítette-e el törmelék.

## 11. KARBANTARTÁS ÉS ÁPOLÁS



**FIGYELEM:** Valamennyi karbantartási vagy tisztítási művelet előtt húzza ki a hálózati kábelt!

Ne locsolja a készüléket vízzel. A behatoló víz tönkretelheti a kombinált kapcsoló-dugót és a villanymotort. A készüléket ruhával, kefével stb. tisztítsa.

**Szakértő általi ellenőrzés szükséges, és ne végezzen a készüléken saját kezűleg beállítást, hanem forduljon a Makita hivatalos szervizéhez a következő esetekben:**

**Szakértő általi ellenőrzés szükséges, és ne végezzen a készüléken saját kezűleg beállítást, hanem forduljon a Makita hivatalos szervizéhez a következő esetekben:**

a) ha a fűnyíró pengéje idegen tárgyba ütközött.

b) ha a motor hirtelen megáll.

c) ha a penge elhajlott (ne próbálja meg beállítani!).

d) ha a motor tengelye elgörbült (ne próbálja meg beállítani!).

e) ha rövidzárlat lép fel a kábel csatlakoztatásakor.

f) ha a fogaskerekek megsérülnek.

g) ha az ékszíj meghibásodott.

## 12. HIBAEHÁRÍTÁS



**FIGYELEM:** Bármilyen karbantartás vagy tisztítási munka előtt, minden esetben húzza ki a dugót a fűnyíróból, és várja meg, amíg a vágóél teljesen megáll.

Hiba	Elhárítás
A motor nem működik	Ellenőrizze a tápkábelt. Indítsa be a gépet alacsony vagy olyan fűvön, melyet már lenyírt. Tisztítsa meg a kidobócsatornát/házat – a vágópengének szabadon kell forognia. Állítson a vágási magasságon.
A motor teljesítménye lecsökken	Állítson a vágási magasságon. Tisztítsa meg a kidobócsatornát/házat. A vágópengét éleztesse meg/ cseréltesse ki → a hivatalos szervizzel.
A fűgyűjtő nem telik meg	Állítson a vágási magasságon. Várjon a fű száradásáig. A vágópengét éleztesse meg/ cseréltesse ki → a hivatalos szervizzel. Tisztítsa meg a fűgyűjtőn lévő rácsot. Tisztítsa meg a kidobócsatornát/házat.
A kerékajtás nem működik	Állítsa be a flexibilis kábelt. Ellenőriztesse az ékszíjat/ fogaskerekeket → a hivatalos szervizzel. Ellenőrizze, hogy a hajtókerekek nem sérültek-e.

Típus: ELM3711

Mért hangteljesítményszint: 91,0 dB (A)

Garantált hangteljesítményszint: 96 dB (A)



**VIGYÁZAT:** A jelen táblázat alapján nem javítható hibákat kizárólag a Makita márkaszerviz javíthatja ki.

30. 11. 2012

Tomoyasu Kato  
Igazgató  
Makita Corporation  
3-11-8, Sumiyoshi-cho,  
Anjo, Aichi, 446-8502, JAPAN

## 13. KÖRNYEZETBARÁT MEGSEMISÍTÉS



Az elektromos és elektronikus berendezésekről szóló 2002/96/EK európai uniós irányelv, valamint az irányelvnek a nemzeti jogszabályokban való végrehajtása szerint valamennyi elektromos eszközt külön kell gyűjteni, és környezetbarát módon kell

újrahasznosítani. Alternatív megsemmisítési módszer: Amennyiben az elektromos készüléket tulajdonosa nem juttatja vissza a gyártóhoz, akkor a készülék hulladékba helyezéseért ő felelős. A készülék leadható egy erre kijelölt gyűjtőpontra, amely az adott országban hatályos törvényeknek és rendelkezéseknek megfelelően előkészíti a készüléket újrafelhasználásra. Az elektronikus és elektromos alkatrészeket nem tartalmazó tartozékokra és készülékekre ez nem vonatkozik.

**Csak európai országokra vonatkozóan**

**EK Megfeleléségi nyilatkozat**

**Mi, a Makita Corporation mint a termék felelős gyártója kijelentjük, hogy az itt megnevezett Makita gép(ek):**

Gép megnevezése: Fűnyíró

Típusszám/Típus: ELM3311, ELM3711

Műszaki adatok: lásd „4. MŰSZAKI ADATOK” sorozatgyártásban készül, és

**megfelelnek az alább felsorolt európai irányelvek előírásainak:**

2004/108/EK, 2006/42/EK, 2000/14/EK & 2005/88/EK, 2006/95/EK

Illetve gyártásuk a következő szabványoknak, valamint szabványosított dokumentumoknak megfelelően történik:

EN 60335, EN 62233, EN 55014, EN 61000

A műszaki dokumentációt őrzi:

Makita International Europe Ltd.,  
Michigan Drive, Tongwell,  
Milton Keynes, MK15 8JD, Anglia.

A megfeleléség 2000/14/EK irányelv által előírt értékelési eljárását a VI. melléklet szerint végezték.

Tanúsító testület:

TÜV SÜD Industrie Service GmbH  
Westendstraße 199, D-80686 München  
Azonosítószám: 0036

Típus: ELM3311

Mért hangteljesítményszint: 87,7 dB (A)

Garantált hangteljesítményszint: 96 dB (A)

Vysvetlenie všeobecného pohľadu

- |                          |                            |                             |
|--------------------------|----------------------------|-----------------------------|
| 1. Horná rukoväť         | 9. Predné koleso           | 17. Kryt predného kolesa    |
| 2. Spínacia skrinka      | 10. Kryt motora            | 18. Predné koleso           |
| 3. Bezpečnostné tlačidlo | 11. Spodná rukoväť         | 19. Podpora predného kolesa |
| 4. Blokovacia páka       | 12. Káblový hák            | 20. Zadný kryt              |
| 5. Káblová svorka        | 13. Rukoväť s prepínačom   | 21. Indikátor hladiny       |
| 6. Lapač trávy           | 14. Kryt zadného kolesa    | 22. Svetelný indikátor      |
| 7. Zadné koleso          | 15. Zadné koleso           |                             |
| 8. Spodná miska          | 16. Podpora zadného kolesa |                             |

**SPOZNAJTE SVOJU KOSAČKU**

Tento návod si dôkladne prečítajte a dodržiavajte odporúčané bezpečnostné pokyny pred, počas a po používaní svojej kosačky. Dodržiavaním týchto jednotlivých pokynov zachováte svoju kosačku v dobrom prevádzkovom stave. S ovládacími prvkami na kosačke sa oboznámte pred používaním kosačky, avšak hlavne sa naučte, ako zastaviť kosačku v prípade núdze. Tento návod na obsluhu a všetku ostatnú literatúru uschovajte s kosačkou pre možné použitie v budúcnosti.

**1. SYMBOLY VYZNAČENÉ NA VÝROBKU**

Návod na obsluhu si dôkladne prečítajte skôr, ako začnete kosačku používať a uschovajte ho na bezpečnom mieste pre možnú potrebu v budúcnosti.



Zabráňte prístupu okolostojacich.



Dávajte pozor na ostré čepele.



Zástrčku vytiahnite zo stroja pred vykonávaním údržby, alebo pokiaľ je kábel poškodený.



Prívodný flexibilný kábel vedte v dostatočnej vzdialenosti od sečných čepeľí.



**SYMBOL BEZPEČNOSTNEJ VÝSTRAHY:** Vyznačuje varovanie alebo výstrahu, ktoré sa môžu používať v spojení s ďalšími symbolmi alebo obrázkami.

**DVOJITÁ IZOLÁCIA**

**Vaša kosačka má dvojitú izoláciu.**

Znamená to, že všetky externé súčasti sú elektricky izolované od prívodu elektrickej energie. To je dosiahnuté umiestnením dodatočnej izoláčnej prekážky medzi elektrické a mechanické súčasti.

**2. VŠEOBECNÉ BEZPEČNOSTNÉ PRAVIDLÁ**

Cieľom bezpečnostných pravidiel je upriamiť pozornosť na možné nebezpečenstvá. Bezpečnostné symboly a vysvetlenia uvedené s nimi vyžadujú dôkladnú pozornosť a pochopenie. Bezpečnostné výstrahy sami o sebe neeliminujú žiadne nebezpečenstvo. Pokyny alebo výstrahy, ktoré uvádzajú, nenahrádzajú správne opatrenia na predchádzanie úrazom.



**VÝSTRAHA:** Opomenutie dodržiavať bezpečnostné výstrahy môže mať za následok poranenie seba alebo ostatných. Vždy dodržiavajte bezpečnostné opatrenia s cieľom znížiť riziko požiaru, zasiahnutia elektrickým prúdom alebo osobných poranení. Návod na obsluhu uschovajte a pravidelne si ho pozrite s cieľom dosiahnuť nepretržitú bezpečnú prevádzku a poučiť ostatných, ktorí môžu toto náradie používať.



**VÝSTRAHA:** Toto strojné zariadenie počas svojej prevádzky produkuje elektromagnetické pole. Toto pole môže v niektorých prípadoch ovplyvňovať činnosť aktívnych alebo pasívnych zdravotných implantátov. Aby sa znížilo riziko vážnych alebo smrteľných úrazov, odporúčame osobám, ktoré používajú zdravotné implantáty, aby sa pred prevádzkovaním tohto strojného zariadenia poradili so svojim lekárom alebo s výrobcom zdravotného implantátu.



**VÝSTRAHA:** Prevádzka akéhokoľvek náradia môže mať za následok odhodenie cudzích predmetov do očí s dôsledkom vážneho poškodenia zraku. Pred začatím používania elektrického náradia si vždy nasadte bezpečnostné okuliare s bočnými štítmí a v prípade potreby štít na ochranu celej tváre. Odporúčame vám, aby ste si v prípade používania okuliarov alebo štandardných bezpečnostných okuliarov s bočnými štítmí nasadili ochrannú masku so širokým videním.

- 1) Tieto pokyny si dôkladne prečítajte. Oboznámte sa s ovládacími a správnym používaním zariadenia.
- 2) Nikdy nedovoľte, aby deti alebo osoby, ktoré neboli oboznámené s týmito pokynmi používali kosačku. Miestne nariadenia môžu obmedzovať vek obsluhy.
- 3) Nikdy nekoste, pokiaľ stojá v blízkosti osoby, hlavne deti, alebo zvieratá.

- 4) Berte do úvahy, že obsluhu alebo používateľ je zodpovedný za nehody alebo riziká vzniknulé vo vzťahu k ostatným osobám alebo k ich majetku.
- 5) Počas kosenia vždy používajte pevnú obuv a dlhé nohavice. Zariadenie neobsluhujte, pokiaľ ste bosí alebo máte sandále.
- 6) Dôkladne skontrolujte miesto používania zariadenia a odstráňte všetky predmety, ktoré by mohli byť strojom odhodené.
- 7) Pred používaním vždy vizuálne skontrolujte a presvedčte sa, že čepele, skrutky čepeľí a montážna zostava rezného náradia nie sú opotrebované alebo poškodené. Aby ste zachovali vyváženie, vymieňajte naraz celú sadu opotrebovaných alebo poškodených čepeľí a skrutiek.
- 8) Koste iba pri dennom svetle alebo pri dobrom umelom osvetlení.
- 9) Pokiaľ je to možné, vyhnite sa prevádzkovaniu zariadenia v mokrej tráve.
- 10) Na svahoch vždy zaujmite stabilný postoj.
- 11) Kráčajte a nikdy nebežte.
- 12) Pokiaľ ide o kolesové rotačné stroje, koste pozdĺž čela svahov a nikdy nie nahor a nadol.
- 13) Pri zmene smeru na svahoch dávajte maximálny pozor.
- 14) Nekoste na nadmerne strmých svahoch.
- 15) Pri pohybe smerom dozadu alebo pri ťahaní kosačky k sebe dávajte maximálny pozor.
- 16) Čepeľ zastavte pred sklopením kvôli prenosu cez netravnaté miesta a pred prenášaním kosačky na a z miesta kosenia.
- 17) Kosačky nikdy nepoužívajte, pokiaľ sú poškodené jej chrániče, alebo bez namontovaných bezpečnostných zariadení, napríklad vychyľovačov a/alebo lapačov trávy.
- 18) Podľa pokynov opatrne naštartujte alebo zapnite motor; nohy musia byť v dostatočnej vzdialenosti od čepeľí.
- 19) Kosačku nenakláňajte pri spúšťaní alebo zapínaní motora okrem prípadov, kedy je potrebné kosačku sklopiť kvôli naštartovaniu. V takomto prípade nenakláňajte viac ako je to potrebné a zdvihnite iba časť, ktorá smeruje od obsluhy.
- 20) Nespúšťajte motor pokiaľ stojíte pred vyprázdňovacím žľabom.
- 21) Ruky ani nohy nestrkajte do blízkosti alebo pod rotujúce časti. Počas celej doby zabezpečte, aby sa vyprázdňovací otvor nezanášal.
- 22) Nikdy pri spustenom motore kosačky nezdvíhajte ani neprenášajte.
- 23) Motor zastavte a vyťahujte zástrčku:
  - pred odstránením zablokovania alebo čistením žľabu;
  - pre vykonávaním kontroly, čistenia alebo prácou na kosačke;
  - po narazení na cudzí predmet. Pred opätovným naštartovaním a prevádzkovaním kosačky skontrolujte kosačku z pohľadu poškodenia a opravte ju;
  - ak kosačka začne neštandardne vibrovať (okamžite skontrolujte).
- 24) Kosačku zastavte:
  - vždy, keď kosačku opúšťate.
- 25) Skrutky, svorníky a matice musia byť utiahnuté, aby sa zabezpečil bezpečný prevádzkový stav zariadenia.
- 26) Lapač trávy často kontrolujte z pohľadu opotrebovania alebo poškodenia.
- 27) Opotrebované alebo poškodené súčasti z bezpečnostných dôvodov vymeňte.
- 28) Kosačku nepoužívajte, pokiaľ sú káble poškodené alebo opotrebované.
- 29) Poškodený kábel nepripájajte k prívodu ani sa poškodeného kábla nedotýkajte skôr, ako ho neodpojíte od prívodu elektrickej energie. Poškodený kábel môže spôsobiť kontakt s časťami pod napätím.
- 30) Čepele sa nikdy nedotýkajte skôr, ako stroj neodpojíte od prívodu energie a skôr, ako sa čepeľ úplne nezastaví.
- 31) Predlžovacie káble vedte v dostatočnej vzdialenosti od čepele. Čepeľ môže spôsobiť poškodenie káblov a viesť k kontaktu so súčasťami pod napätím.
- 32) Odpojenie od prívodu elektrickej energie (t.j. vyťahnutie zástrčky zo zásuvky) vykonajte:
  - pokiaľ ponechávate stroj bez dozoru;
  - pred vyčistením zablokovania;
  - pred kontrolou, čistením alebo prácou so strojným zariadením;
  - po narazení na cudzí predmet;
  - vždy, keď začne stroj neštandardne vibrovať.
- 33) V prípade detí je treba dohliadať na to, aby sa so zariadením nehrali.
- 34) Toto zariadenie nie je určené na používanie osobami (vrátane detí) so zníženými fyzickými, zmyslovými alebo mentálnymi schopnosťami, alebo osobami s nedostatočnými skúsenosťami a znalosťami, a to pokiaľ nepracujú pod dozorom alebo na základe pokynov o používaní zariadenia vydaných od osoby zodpovednej za ich bezpečnosť.
- 35) Pokiaľ je prívodný kábel poškodený, musí sa nechať vymeniť za špeciálny kábel alebo zostavu, ktoré sú dostupné od výrobcu alebo servisného zástupcu.
- 36) Pokyny pre bezpečnú prevádzku zariadenia vrátane odporúčania používať zariadenie pri napájaní cez zariadenie na ochranu pred zvyškovým prúdom (RCD) s vypínacím prúdom nie viac ako 30 mA.
- 37) Počas nastavovania strojného zariadenia dávajte pozor, aby ste predišli zachyteniu prstov medzi pohyblivé čepele a pevné diely strojného zariadenia.
- 38) Pred uskladnením vždy nechajte strojné zariadenie vychladnúť.
- 39) Pri vykonávaní servisu čepeľí dávajte pozor na to, že aj pri vypnutí napájacieho zdroja sa môžu čepele naďalej otáčať.
- 40) Kvôli bezpečnosti vymeňte opotrebované alebo poškodené diely; používajte len originálne náhradné diely a príslušenstvo.
- 41) Počas nastavovania zariadenia dávajte pozor, aby ste predišli zachyteniu prstov medzi pohyblivé čepele a pevné diely zariadenia.
- 42) Pred použitím skontrolujte sieťový a predlžovací kábel z pohľadu príznakov poškodenia alebo opotrebovania. Pokiaľ dôjde počas používania k poškodeniu kábla, okamžite kábel odpojte od prívodu. PRED ODPOJENÍM OD PRÍVODU ELEKTRICKEJ ENERGIE SA KÁBLA NEDOTÝKAJTE. Pokiaľ je kábel poškodený alebo opotrebovaný, zariadenie nepoužívajte.

43) Ak je poškodený napájací kábel, musí byť vymenený výrobcom, zástupcom jeho servisu alebo podobne kvalifikovanou osobou, aby sa predišlo riziku.

## 3. POPIS SÚČASTÍ (Obr. 1)

## 4. TECHNICKÉ ÚDAJE

Model:	ELM3311	ELM3711
Menovité napätie:	230 V~	230 V~
Menovitý kmitočet:	50 Hz	50 Hz
Menovitý výkon:	1100 W	1300 W
Otáčky pri voľnobehu:	2900/min.	2900/min.
Rezná šírka:	330 mm	370 mm
Garantovaná úroveň akustického výkonu:	96 dB (A)	96 dB (A)
$L_{pA}$ (SPL) v polohe používateľa:	75,4 dB (A), K=3 dB (A)	77,6 dB (A), K=3 dB (A)
Garantované vibrácie:	0,672 m/s <sup>2</sup> , K=1,5 m/s <sup>2</sup>	0,917 m/s <sup>2</sup> , K=1,5 m/s <sup>2</sup>
Objem lapača trávy:	27 l	35 l
Čistá hmotnosť:	13,1 kg	14,9 kg
Stupeň ochrany proti tekutinám:	IP24	IP24
Nastavenie výšky:	20/40/55 mm, 3 nastavenia	20/40/55 mm, 3 nastavenia

## 5. MONTÁŽ

### 5-1 MONTÁŽ KOLESA

Zasuňte osku krytu predného a zadného kolesa do kolesa a naskrutkujte ju na otvor podpory kolesa. (Obr. 2)



**VÝSTRAHA:** Všetky kolesá musia byť v rovnakej výške.

### 5-2 MONTÁŽ SKLÁPACEJ RUKOVÄTI

- Zasuňte spodné riadidlá do pevných otvorov na spodnej miske a utiahnite dodávanou skrútkou a skrútkovačom. (Obr. 3, Obr. 4, Obr. 5)
- Hornú rukoväť a spodnú rukoväť spojte blokovacou pákou. (Obr. 6, Obr. 7)
- Kábel umiestnite ponad tyčku rukoväti. Pomocou káblovej svorky ho prichyťte k strednej časti spodnej rukoväti tak, aby bol kábel prichytený na vonkajšej strane rukoväti. V opačnom prípade môže byť kábel zovretý pri otvorení/zatvorení zadného krytu. (Obr. 8)

### 5-3 MONTÁŽ LAPAČA TRÁVY

- Montáž: Zdvihnite zadný kryt a zahákujte lapač trávy na zadnú stranu kosačky. (Obr. 9, Obr. 10, Obr. 11)
- Demontáž: Uchopte a zdvihnite zadný kryt a snímte lapač trávy.

V hornej časti lapača trávy je indikátor hladiny, ktorý ukazuje, či je lapač prázdny alebo plný (Obr. 12A, Obr. 12B):

- Indikátor hladiny sa nafukuje, ak počas kosenia nie je lapač plný. (Obr. 12B)
- Ak je lapač plný, indikátor sa zvinie. Ak k tomu dôjde, okamžite prestaňte s kosením a vyprázdňte lapač, vyčistte ho a zabezpečte, aby bola sieťka odvetrávaná. (Obr. 12A)

### DÔLEŽITÉ

Ak je otvor indikátor veľmi znečistený, indikátor sa nebude nafukovať. V takomto prípade okamžite vyčistte miesto otvoru indikátora.

## 6. NASTAVENIE VÝŠKY REZU

Výška rezu sa nastavuje pripojením kolies k požadovanému otvoru.

Všetky kolesá musia byť v rovnakej výške.

Výšku (čepel od zeme) možno nastaviť od 20 mm do 55 mm (3 výškové polohy). (Obr. 13)

Najnižšie nastavenie: 20 mm (poloha (1)); stredné nastavenie: 40 mm (poloha (2)); najvyššie nastavenie: 55 mm (poloha (3)).



**VÝSTRAHA:** Odpojte elektrický kábel od zdroja napájania.



**VÝSTRAHA:** Toto nastavenie vykonávajte jedine pri zastavenej čepeli.

## 7. BEZPEČNOSTNÉ OPATRENIA

- Vždy používajte s vychyľovačom alebo lapačom trávy v správnej polohe.
- Pred demontážou lapača trávy alebo pred nastavovaním výšky rezu vždy zastavte motor.
- Pred kosením odstráňte z trávniky cudzie predmety, ktoré by mohli stroj odhodiť. Počas kosenia dávajte pozor na cudzie predmety na ktoré ste mohli zabudnúť. (Obr. 14)
- Nikdy nezdvíhajte zadnú časť kosačky počas naštartovania motora alebo počas štandardnej prevádzky. (Obr. 15)
- Ruky ani chodidlá nikdy počas chodu motora nestrkajte pod spodnú miskú alebo do zadného vyprázdňovacieho žľabu. (Obr. 16)

## 8. SPUSTENIE

Pred pripojením kosačky k elektrickému prívodu s presvedčte, že hodnota elektrického prívodného napätia je 230 V ~ 50 Hz.

Pred naštartovaním kosačky upevnite predlžovací kábel ku káblovému háku. (Obr. 17)

Po zapnutí kosačky sa svetelný indikátor rozsvieti. (Obr. 18)

Motor spustíte nasledovným spôsobom. (Obr. 19)

- Stlačte bezpečnostné tlačidlo (1).
- Súčasne potiahnite rukoväť s prepínačom (2) a ponechajte ju uchopenú.

Pokiaľ motor beží, tlačte kosačku manuálne.

Ak rukoväť s prepínačom uvoľníte, motor sa zastaví.



**UPOZORNENIE:** Čepeľ sa začne otáčať po naštartovaní motora.



**VÝSTRAHA:** Rezné prvky pokračujú v otáčaní aj po vypnutí motora.

## 9. ČEPEĽ

Čepeľ je vyrobená z lisovanej ocele. Bude potrebné ju pravidelne brúsiť (pomocou brúsneho kotúča).

Zabezpečte je trvalé vyváženie (nevyvážená čepeľ spôsobí nebezpečné vibrácie). Pre kontrolu vyváženia zasuňte okružlu tyč cez stredový otvor a čepeľ horizontálne podprite. (Obr. 20) Vyvážená čepeľ zostane v horizontálnej polohe. Pokiaľ nie je čepeľ vyvážená, ťažká strana bude rotovať smerom nadol. Ťažkú stranu naostríte dokiaľ nebude čepeľ vyvážená. (Obr. 21) Pokiaľ chcete demontovať čepeľ (2), odskrutkujte skrutku čepele (3). (Obr. 22, Obr. 23, Obr. 24)

Skontrolujte stav ventilátora (1) a vymeňte všetky poškodené súčasti. (Obr. 22)

Pri zmontovaní sa presvedčte, že rezné okraje lícuju so smerom otáčania motora. Skrutku čepele (3) utiahnite na krútiaci moment 20 – 25 Nm.



**VÝSTRAHA:** Počas vykonávania servisu vymeňte čepeľ jedine za: MAKITA 263001422 (pre ELM3311) a MAKITA 263001414 (pre ELM3711).

## 10. PREDLŽOVACIE KÁBLE

Mali by ste používať predlžovacie káble určené na použitie v exteriéri, štandardné, s prierezom nie menej ako 1,0 mm<sup>2</sup>.

Pred použitím skontrolujte, že prívodný a predlžovací kábel nevykazujú počas používania príznaky poškodenia; kábel vykazujúci príznaky poškodenia alebo opotrebovania odpojte. Pokiaľ dôjde počas používania k poškodeniu kábla, okamžite kábel odpojte od prívodu. PRED ODPOJENÍM OD PRÍVODU ELEKTRICKEJ ENERGIE SA KÁBLA NEDOTÝKAJTE. Pokiaľ je kábel poškodený alebo opotrebovaný, zariadenie nepoužívajte. Predlžovací kábel chráňte pred reznými prvkami.



**VÝSTRAHA:** Vždy zabezpečte, aby boli vetracie otvory čisté a bez úlomkov.

## 11. ÚDRŽBA A STAROSTLIVOSŤ



**VÝSTRAHA:** Pred vykonávaním údržby alebo čistenia vždy vyťahnite zo sieťovej zásuvky zástrčku! Na jednotku nestriekajte vodu. Vniknutie vody môže mať za následok zničenie jednotky prepínač-zástrčka a elektrického motora. Jednotku čistite pomocou tkaniny, kefy a pod.

**Vyžaduje sa kontrola vykonaná odborníkom; žiadne nastavenia nevykonávajte vlastnými silami, ale spojte sa s autorizovaným servisným strediskom spoločnosti Makita:**

- Ak kosačka narazí na cudzí predmet.
- Ak motor náhle zastane.
- Ak sa ohne čepeľ (nenastavujte!).
- Ak sa ohne hriadeľ motora (nenastavujte!).
- Ak pri pripojení kábla dôjde ku skratu.
- Ak došlo k poškodeniu prevodov.
- Ak je klinový remeň poškodený.

## 12. RIEŠENIE PROBLÉMOV



**VÝSTRAHA:** Pred vykonávaním údržby alebo čistenia vždy vyťahnite sieťovú zástrčku zo sieťovej zásuvky a počkajte, dokiaľ sa kosačka úplne nezastaví.

Chyba	Náprava
Motor nebeží	Skontrolujte sieťový prívodný kábel. Naštartujte na krátkej trávě alebo na už pokosenej ploche. Vyčistite vyprázdňovací kanál/skriňu – pohybujúca sa čepeľ sa musí otáčať voľne. Nastavte reznú výšku.
Výkon motora klesá	Nastavte reznú výšku. Vyčistite vyprázdňovací kanál/skriňu. Nechajte čepeľ na kosenie naostríť/ vymeniť → autorizovanom servisnom stredisku.
Lapač trávy sa nenaplnia	Nastavte reznú výšku. Nechajte trávnik vyschnúť. Nechajte čepeľ na kosenie naostríť/ vymeniť → autorizovanom servisnom stredisku. Vyčistite rošt na lapači trávy. Vyčistite vyprázdňovací kanál/skriňu.
Kolesový pohon nefunguje	Nastavte flexibilný kábel. Nechajte skontrolovať klinový remeň/ prevody → autorizovanom servisnom stredisku. Skontrolujte, či nie sú poškodené hnacie kolesá.



**UPOZORNENIE:** Chyby, ktoré nemožno opraviť pomocou tejto tabuľky môže opraviť jedine autorizované servisné stredisko spoločnosti Makita.

## 13. EKOLOGICKÁ LIKVIDÁCIA



Podľa smernice EÚ číslo 2002/96/ES o elektrických a elektronických zariadeniach a jej implementovaní do národnej legislatívy je potrebné elektrické a elektronické zariadenia zbierať separovane a ekologicky likvidovať.

Alternatívna likvidácia: Pokiaľ majiteľ

elektrického náradia nevráti náradie výrobcovi, je zodpovedný za správnu likvidáciu na určenom zbernom mieste, ktoré pripraví zariadenie na recyklovanie podľa národnej legislatívy a nariadeniach o recyklovaní. Nevzťahuje sa to na príslušenstvo a náradie bez elektrických alebo elektronických prvkov.

### Len pre krajiny Európy

### Vyhlasenie o zhode so smernicami Európskeho spoločenstva

**Naša spoločnosť Makita, ako zodpovedný výrobca vyhlasuje, že nasledujúce strojné zariadenie(a) značky Makita:**

Označenie zariadenia: Kosačka

Č. modelu/typ: ELM3311, ELM3711

Technické špecifikácie: pozrite si časť „4. TECHNICKÉ ÚDAJE“ predstavuje výrobok sériovej výroby

**a vyhovuje nasledujúcim európskym smerniciam:**

2004/108/ES, 2006/42/ES, 2000/14/ES a 2005/88/ES, 2006/95/ES

a je vyrobené podľa nasledujúcich noriem alebo štandardizovaných dokumentov:

EN 60335, EN 62233, EN 55014, EN 61000

Technickú dokumentáciu archivuje:

Makita International Europe Ltd.,

Michigan Drive, Tongwell,

Milton Keynes, MK15 8JD, Anglicko

Postup posúdenia zhody, ako vyžaduje smernica 2000/14/ES bol zrealizovaný podľa Prílohy VI.

Oboznámený orgán:

TÜV SÜD Industrie Service GmbH

Westendstraße 199, D-80686 München

Identifikačné číslo: 0036

Model: ELM3311

Meraná úroveň akustického výkonu: 87,7 dB (A)

Garantovaná úroveň akustického výkonu: 96 dB (A)

Model: ELM3711

Meraná úroveň akustického výkonu: 91,0 dB (A)

Garantovaná úroveň akustického výkonu: 96 dB (A)

30. 11. 2012

Tomoyasu Kato

Riaditeľ

Makita Corporation

3-11-8, Sumiyoshi-cho,

Anjo, Aichi, 446-8502, JAPAN

### Vysvětlení k celkovému pohledu

- |                          |                           |                            |
|--------------------------|---------------------------|----------------------------|
| 1. Horní část držadla    | 9. Přední kolo            | 17. Kryt předního kola     |
| 2. Spínací skříň         | 10. Kryt motoru           | 18. Přední kolo            |
| 3. Bezpečnostní tlačítko | 11. Dolní část držadla    | 19. Uchytení předního kola |
| 4. Pojistná páčka        | 12. Háček na kabel        | 20. Zadní kryt             |
| 5. Příchytka kabelu      | 13. Spínací madlo         | 21. Indikátor zaplnění     |
| 6. Sběrací koš           | 14. Kryt zadního kola     | 22. Světelný indikátor     |
| 7. Zadní kolo            | 15. Zadní kolo            |                            |
| 8. Spodní kryt           | 16. Uchytení zadního kola |                            |

## SEZNÁMTE SE S OBSLUHOU SEKAČKY

Pečlivě si přečtete tuto příručku a před použitím sekačky, při práci i po použití dodržujte doporučené bezpečnostní pokyny. Dodržováním těchto jednoduchých pokynů rovněž uchováte sekačku v dobrém provozním stavu. Před zahájením práce se obeznamte s ovládacími prvky sekačky a ujistěte se zejména, zda sekačku dovedete v nouzové situaci vypnout. Tuto uživatelskou příručku a veškeré další tiskoviny vydané k sekačce uschovejte pro pozdější využití.

### 1. SYMBOLY VYZNAČENÉ NA VÝROBKU



Před použitím sekačky si pečlivě přečtete tento návod k obsluze a pak jej uložte na bezpečné místo pro pozdější využití.



Nepracujte v blízkosti přihlížejících osob.



Pozor na ostrý sekací nůž.



Před prováděním údržby nebo při poškození kabelu odpojte zařízení ze zásuvky.



Ohebný napájecí kabel vedte mimo dosah nože sekačky.



**SYMBOL BEZPEČNOSTNÍHO UPOZORNĚNÍ:** Naznačuje výstrahu nebo může být varování použito ve spojení s jinými symboly či obrázky.

### DVOJITÁ IZOLACE



**Sekačka je vybavena dvojitou izolací.**

To znamená, že veškeré externí části jsou elektricky izolovány od napájení. K tomu se využívá další izolační bariéra umístěná mezi elektrické a mechanické díly.

## 2. VŠEOBECNÁ BEZPEČNOSTNÍ PRAVIDLA

Cílem bezpečnostních pravidel je obrátit vaši pozornost k možnému nebezpečí. Bezpečnostní symboly a příslušná vysvětlení vyžadují vaši pozornost a správné pochopení. Samotná bezpečnostní upozornění však žádné nebezpečí neodstraní. Pokyny či varování nemožno nahradit správná opatření k prevenci nehod.



**VAROVÁNÍ:** Neuposlechnutí bezpečnostních varování může vyústit ve vážné zranění obsluhy či okolních osob. Důsledným dodržováním bezpečnostních opatření omezíte nebezpečí požáru, úrazu elektrickým proudem a zranění osob. Příručku si uschovejte často do ní nahlížejte – zabezpečte tak trvale bezpečný provoz nebo poučíte jiných osob, jež mohou se zařízením pracovat.



**VAROVÁNÍ:** Při provozu tohoto zařízení vzniká elektromagnetické pole. Toto pole může za určitých okolností rušit činnost aktivních či pasivních lékařských implantátů. Osobám s lékařskými implantáty proto v zájmu omezení nebezpečí vážného poškození zdraví nebo i smrtelného úrazu doporučujeme, aby se před používáním tohoto zařízení poradily s lékařem nebo výrobcem příslušného implantátu.



**VAROVÁNÍ:** Při práci s jakýmkoli nářadím může dojít k vymrštění cizorodých předmětů do očí, jež mohou způsobit vážné poranění zraku. Před zahájením práce s elektrickým nářadím si vždy nasadte ochranné či bezpečnostní brýle s postranními kryty a v případě potřeby použijte celoobličejový štít. Uživatelům dioptrických brýlí doporučujeme použít obličejový štít nebo standardní bezpečnostní brýle s postranními kryty.

- 1) Pečlivě si přečtete pokyny. Obeznamte se s ovládacími prvky a správným používáním zařízení.
- 2) Nikdy nedovolte, aby sekačku obsluhovaly děti nebo osoby neobeznámené s těmito pokyny. Věk obsluhy může být omezen místními předpisy.
- 3) Nikdy nesekejte v blízkosti osob, zvláště pak dětí a domácích zvířat.
- 4) Pamatujte, že za nehody nebo vystavení nebezpečí jiných osob a jejich majetku odpovídá obsluha či uživatel.



- 5) Při sekání vždy noste pevnou obuv a dlouhé kalhoty. Se zařízením nepracujte naboso ani v otevřených sandálech.
- 6) Rádně prohlédněte místo, kde budete se zařízením pracovat, a odstraňte veškeré předměty, jež mohou být sekačkou odmrštěny.
- 7) Před prací vždy vizuálně zkontrolujte, zda není opotřebený či poškozený sekací nůž, šrouby nože a sekací sestava. Opotřebený či poškozený nůž se šrouby vyměňujte v celé sadě, abyste zachovali vyváženost.
- 8) Sekajte pouze za denního světla nebo při dobrém umělém osvětlení.
- 9) Se zařízením nepracujte pokud možno v mokré trávě.
- 10) Při práci ve svahu vždy dávejte pozor, kam šlapete.
- 11) Kráčejte – nikdy neběhejte.
- 12) S kolovými sekačkami pojíždějte při sekání po vrstevnicích svahu, nikdy nahoru a dolů.
- 13) Při změně směru ve svahu buďte mimořádně opatrní.
- 14) Nesekejte v příliš strmých svazích.
- 15) Buďte mimořádně opatrní při otáčení nebo tahání sekačky směrem k sobě.
- 16) Při nutnosti naklonění sekačky kvůli transportu s přeježděním jiných než travnatých ploch a při transportu sekačky na pracoviště a z pracoviště vypněte motor pohánějící nůž.
- 17) Nikdy nepracujte se sekačkou s vadnými kryty nebo se sejmutým bezpečnostním zařízením, například bez krytu vyhazovacího kanálu nebo bez sběracího koše.
- 18) Motor spouštějte či zapínajte opatrně, v souladu s pokyny a s nohama v bezpečné vzdálenosti od nože.
- 19) Při zapínání motoru sekačku nenaklánějte s výjimkou případu, kdy je naklonění sekačky při spouštění nutností. V takové situaci sekačku nenaklánějte více, než je absolutně nutné, a nadzvedněte pouze část, jež je z pozice obsluhy vzdálenější.
- 20) Motor nespouštějte, jestliže stojíte před vyhazovacím kanálem.
- 21) Do blízkosti nebo pod rotující díly nestrkejte ruce ani nohy. Vždy se zdržujte mimo dosah otvoru pro boční výhoz.
- 22) Pokud je motor v chodu, sekačku nikdy nezvedejte a nepřenášejte.
- 23) Při následujících činnostech vypněte motor a odpojte zástrčku:
  - před uvolňováním zablokování nebo při uvolňování upchaného vyhazovacího kanálu,
  - před kontrolou, čištěním nebo pracemi na sekačce,
  - po kontaktu s cizorodým předmětem. Sekačku zkontrolujte, zda není poškozená a před opětovným spuštěním a pracovním využitím proveďte případnou opravu,
  - jestliže sekačka začne neobvykle vibrovat (provedte okamžitou kontrolu).
- 24) Sekačku vypínejte:
  - kdykoli se od sekačky vzdálíte.
- 25) Všechny matice, šrouby a vruty udržujte dotažené – zajistíte tak bezpečnou provozuschopnost zařízení.
- 26) Často kontrolujte sběrací koš, zda není opotřebený či poškozený.
- 27) V rámci zajištění bezpečnosti poškozené díly vyměňte.
- 28) Sekačku nepoužívejte, jestliže jsou poškozené či opotřebené kabely.
- 29) Poškozený kabel nepřipojujte do zásuvky a poškozeného kabelu se před odpojením ze zásuvky nedotýkejte. Poškozený kabel může být příčinou kontaktu s díly pod napětím.
- 30) Nedotýkejte se nože, než nebude zařízení odpojeno ze zásuvky a dokud se nůž zcela nezastaví.
- 31) Prodlužovací kabely vedte mimo dosah nože. Nůž může kabely poškodit a obsluha se může dostat do kontaktu s díly pod napětím.
- 32) V následujících situacích odpojte napájení (vytáhněte zástrčku ze zásuvky):
  - kdykoli necháte sekačku bez dozoru,
  - před uvolňováním zablokování,
  - před kontrolou, čištěním či prováděním prací na zařízení,
  - po odmrštění cizorodého předmětu,
  - kdykoli začne zařízení neobvykle vibrovat.
- 33) Na děti je třeba dohlédnout, aby si se zařízením nehrály.
- 34) Toto zařízení není určeno k používání osobami (včetně dětí) s omezenými fyzickými, smyslovými či duševními schopnostmi nebo s nedostatečnými zkušenostmi a znalostmi, jestliže nejsou pod dohledem nebo pokud nebyly ohledně používání zařízení poučeny osobou odpovědnou za jejich bezpečnost.
- 35) Jestliže je napájecí kabel poškozený, musí být nahrazen speciálním kabelem nebo sestavou, jež je k dispozici u výrobce či zástupce servisu výrobce.
- 36) Dodržujte pokyny k bezpečné obsluze zařízení včetně doporučení napájet zařízení zdrojem jistěným proudovým chráničem s vybavovacím proudem nepřekračujícím hodnotu 30 mA.
- 37) Při seřizování sekačky buďte opatrní, abyste si neskřípli prsty mezi pohyblivé nože a pevné části sekačky.
- 38) Před skladováním nechte sekačku vždy vychladnout.
- 39) Při údržbě nože dávejte pozor, neboť nůž se může pohybovat i přesto, že je zdroj napájení vypnutý.
- 40) V zájmu zajištění bezpečnosti poškozené díly vyměňte. Používejte pouze originální náhradní díly a příslušenství.
- 41) Při seřizování zařízení buďte opatrní, abyste si neskřípli prsty mezi pohyblivé nože a pevné části.
- 42) Před použitím zkontrolujte napájecí i prodlužovací kabely, zda nejeví známky poškození. Pokud během práce dojde k poškození kabelu, ihned jej odpojte od zdroje napájení. **PŘED ODPOJENÍM OD ZDROJE NAPÁJENÍ SE KABELU NEDOTÝKEJTE.** Zařízení nepoužívejte, jestliže jsou kabely poškozené či opotřebené.
- 43) Poškozený napájecí kabel musí být v rámci bezpečnosti vyměněn výrobcem, zástupcem servisu výrobce nebo jinou kvalifikovanou osobou.

### 3. POPIS SOUČÁSTÍ (Obr. 1)

## 4. TECHNICKÁ DATA

Model:	ELM3311	ELM3711
Jmenovité napětí:	230 V~	230 V~
Jmenovitý kmitočet:	50 Hz	50 Hz
Jmenovitý výkon:	1 100 W	1 300 W
Otáčky bez zatížení:	2 900/min	2 900/min
Šířka záběru:	330 mm	370 mm
Zaručená hladina akustického výkonu:	96 dB (A)	96 dB (A)
$L_{pA}$ (SPL) v místě obsluhy:	75,4 dB (A), K=3 dB (A)	77,6 dB (A), K=3 dB (A)
Zaručené vibrace:	0,672 m/s <sup>2</sup> , K=1,5 m/s <sup>2</sup>	0,917 m/s <sup>2</sup> , K=1,5 m/s <sup>2</sup>
Objem sběracího koše:	27 l	35 l
Čistá hmotnost:	13,1 kg	14,9 kg
Stupeň ochrany proti vodě:	IP24	IP24
Výškové nastavení:	20/40/55 mm, 3 nastavení	20/40/55 mm, 3 nastavení

## 5. MONTÁŽ

### 5-1 MONTÁŽ KOL

Osu předního a zadního krytu kola zasuňte do kola a kryt zašroubuje do otvoru uchycení kola (**Obr. 2**).



**VAROVÁNÍ:** Všechna kola musí být ve stejné výšce.

### 5-2 MONTÁŽ SKLÁPĚCÍHO DRŽADLA

- Dolní část držadla zasuňte do otvorů ve spodním krytu a zajistěte ji dodanými šrouby, jež dotáhnete šroubovákem (**Obr. 3, Obr. 4, Obr. 5**).
- Horní a dolní část držadla spojte pojistnou páčkou (**Obr. 6, Obr. 7**).
- Kabel umístěte k tyči držadla. Přichyťte jej kolem středu dolní části držadla přichytkou kabelu a ujistěte se, zda je uchycen z vnější strany držadla. Jinak by mohlo dojít ke skřípnutí kabelu otevřením či zavřením zadního krytu (**Obr. 8**).

### 5-3 MONTÁŽ SBĚRACÍHO KOŠE

- Nasazení: Zvedněte zadní kryt a sběrací koš zahákněte za zadní část sekačky (**Obr. 9, Obr. 10, Obr. 11**).
- Sejmutí: Uchopte a zvedněte zadní kryt, a pak sběrací koš sejměte.

Na horní straně sběracího koše je umístěn indikátor zaplnění, jenž naznačuje, zda je sběrací koš prázdný či plný (**Obr. 12A, Obr. 12B**):

- Jestliže sběrací koš není plný, indikátor zaplnění se při sekání nafoukne (**Obr. 12B**).
- Pokud je koš plný, indikátor splaskne. Jestliže k tomu dojde, sekačku neprodlené vypněte, sběrací koš vyprázdněte, ujistěte se, zda je čistý a zda je síťovina prodyšná (**Obr. 12A**).

### DŮLEŽITÉ

Jestliže je umístění otvoru indikátoru silně znečištěné, indikátor se nenafoukne. V takovém případě umístění otvoru indikátoru ihned vyčistěte.

## 6. SEŘÍZENÍ VÝŠKY POKOSU

Výška pokosu se nastavuje připevněním kol do požadovaných otvorů.

Všechna kola musí být ve stejné výšce.

Výšku (nože od země) lze nastavit do 3 výšek od 20 mm do 55 mm (**Obr. 13**).

Nejnižší poloha: 20 mm (poloha (1)); střední poloha: 40 mm (poloha (2)); nejvyšší poloha: 55 mm (poloha (3)).



**VAROVÁNÍ:** Odpojte elektrický kabel od zdroje napájení.



**VAROVÁNÍ:** Toto nastavení provádějte pouze pokud nůž není v pohybu.

## 7. BEZPEČNOSTNÍ OPATŘENÍ

- Vždy pracujte se správně nasazeným krytem vyhozovacího kanálu či sběracím košem.
- Před sejmutím sběracího koše nebo před seřizováním výšky pokosu vždy vypněte motor.
- Před sekáním odstraňte z trávníku všechny cizorodé předměty, jež by sekačka mohla odmrstit. Při sekání zůstaňte opatrní a dejte pozor na předměty, jež jste mohli přehlédnout (**Obr. 14**).
- Při spuštění motoru ani při běžném provozu nikdy nezvedejte zadní kryt sekačky (**Obr. 15**).
- Pokud je motor spuštěný, nevkládejte ruce a nikdy nesahejte pod spodní kryt ani do vyhozovacího kanálu (**Obr. 16**).

## 8. STARTOVÁNÍ

Před připojením sekačky k elektrické síti se ujistěte, zda je napětí sítě 230 V ~ 50 Hz.

Před spuštěním sekačky upevněte prodlužovací kabel do háčku na kabel (**Obr. 17**).

Po připojení sekačky k síti se rozsvítí světelný indikátor (**Obr. 18**).

Spusťte motor podle následujícího postupu (**Obr. 19**).

- Stiskněte bezpečnostní tlačítko (1).

b) Přitom zatáhnete za spínací madlo (2) a držte je stisknuté.

Po spuštění motoru začnete sekačku tlačit.

Jestliže spínací madlo pustíte, motor se vypne.



**UPOZORNĚNÍ:** Nůž se začne otáčet ihned po spuštění motoru.



**VAROVÁNÍ:** Sekací prvky se po vypnutí motoru nadále setrvačně otáčejí.

## 9. NŮŽ

Sekací nůž je vyroben z lisované oceli. Bude nutné, abyste jej pravidelně ostřili (na brusném kotouči). Ujistěte se, zda je nůž vždy vyvážený (nevyvážený nůž způsobí nebezpečné vibrace). Kontrolu vyvážení provedete nasunutím kulaté tyče do středového otvoru a natočením nože do vodorovné polohy (**Obr. 20**). Vyvážený nůž zůstane ve vodorovné poloze. Jestliže je nůž nevyvážený, těžší konec se převáží dolů. Těžší konec přeburste, až se nůž dostane do vyváženého stavu (**Obr. 21**). Jestliže chcete nůž (2) vyjmout, povolte šroub nože (3) (**Obr. 22, Obr. 23, Obr. 24**). Zkontrolujte stav větráku (1) a vyměňte všechny poškozené díly (**Obr. 22**).

Při zpětné montáži se ujistěte, zda jsou břity nože orientovány ve směru otáčení motoru. Šroub nože (3) musí být dotažen momentem 20–25 Nm.



**VAROVÁNÍ:** Při opravě nahradte nůž pouze tímto typem: MAKITA 263001422 (pro model ELM3311) a MAKITA 263001414 (pro model ELM3711).

## 10. PRODLUŽOVACÍ KABELY

Používejte pouze prodlužovací kabely pro venkovní použití, například kabely pro běžné použití s průřezem vodičů minimálně 1,0 mm<sup>2</sup>.

Před použitím zkontrolujte napájecí i prodlužovací kabely, zda nejsou známky poškození způsobené používáním, a poškozené či zestárle kabely vyřadte. Pokud během práce dojde k poškození kabelu, ihned jej odpojte od zdroje napájení. **PŘED ODPOJENÍM OD ZDROJE NAPÁJENÍ SE KABELU NEDOTÝKEJTE.** Zařízení nepoužívejte, jestliže jsou kabely poškozené či optibebené. Prodlužovací kabel vedte mimo ostré hrany.



**VAROVÁNÍ:** Zajistěte, aby ventilační otvory zůstaly vždy průchodné a neucpané.

## 11. PÉČE A ÚDRŽBA



**VAROVÁNÍ:** Před prováděním jakýchkoli prací souvisejících s údržbou a čištěním vždy vytáhněte elektrickou zástrčku!  
Na zařízení nestříkejte vodu. Vniknutí vody do zařízení může zničit jednotku spínače se zásuvkou a elektromotor. Zařízení čistěte tkaninou, kartáčkem na ruce atd.

**V následujících situacích je nutná prohlídka odborníkem, neprovádějte žádné úpravy – musíte kontaktovat autorizované servisní středisko Makita:**

- narazí-li sekačka do nějakého předmětu,
- jestliže se motor náhle zastaví,
- pokud dojde k ohnutí nože (nevyrovnávat!),
- dojde-li k ohnutí hřídele motoru (nevyrovnávat!),
- jestliže po připojení kabelu dojde ke zkratu,
- při poškození kol sekačky,
- pokud je vadný klínový řemen.

## 12. ODSTRAŇOVÁNÍ PROBLÉMU



**VAROVÁNÍ:** Před prováděním jakýchkoli prací souvisejících s údržbou a čištěním vždy vytáhněte elektrickou zástrčku a počkejte, až se nůž zcela zastaví.

Závada	Náprava
Motor neběží	Zkontrolujte připojení napájecího kabelu. Spusťte motor na nízké trávě nebo v místě, které je již posekáno. Vyčistěte vyhazovací kanál a plášť kanálu – pohyblivý nůž se musí volně otáčet. Upravte výšku pokosu.
Pokles výkon motoru	Upravte výšku pokosu. Vyčistěte vyhazovací kanál a plášť kanálu. Nechte vyměnit či naostřit nůž sekačky → autorizované servisní středisko.
Sběrací koš se nenaplníuje	Upravte výšku pokosu. Počkejte, až trávník vyschne. Nechte vyměnit či naostřit nůž sekačky → autorizované servisní středisko. Vyčistěte mřížku sběracího koše. Vyčistěte vyhazovací kanál a plášť kanálu.
Nefunguje pohon kol	Seřídte ohebné lanko. Zkontrolujte klínový řemen/kola → autorizované servisní středisko. Zkontrolujte, zda nejsou hnací kola poškozená.



**UPOZORNĚNÍ:** Závady, jež nelze pomoci této tabulky odstranit, je třeba svěřit pouze autorizovanému servisnímu středisku Makita.

## 13. EKOLOGICKÁ LIKVIDACE



V souladu se směrnicí EU 2002/96/ES o elektrických a elektronických zařízeních a její implementací do národních zákonů musí být veškeré elektrické nářadí shromážděno odděleně k ekologické recyklaci. Alternativní likvidace: Jestliže vlastník elektrické nářadí výrobci neodevzdá, odpovídá za správnou likvidaci na určeném sběrném místě, kde bude zařízení připraveno k recyklaci v souladu s národními zákony a předpisy o recyklaci.

Tyto zásady se nevztahují na příslušenství a nářadí bez elektrických či elektronických dílů.

**Pouze pro evropské země**

**ES prohlášení o shodě**

**Společnost Makita Corporation jako odpovědný výrobce prohlašuje, že níže uvedené zařízení Makita:**

Popis zařízení: Sekačka na trávu

Č. modelu/typ: ELM3311, ELM3711

Technické údaje: viz „4. TECHNICKÁ DATA“ vychází ze sériové výroby

**a vyhovuje následujícím evropským směrnicím:**

2004/108/ES, 2006/42/ES, 2000/14/ES a 2005/88/ES, 2006/95/ES

a bylo vyrobeno v souladu s následujícími normami či normativními dokumenty:

EN 60335, EN 62233, EN 55014, EN 61000

Technická dokumentace je k dispozici na adrese:

Makita International Europe Ltd.,  
Michigan Drive, Tongwell,  
Milton Keynes, MK15 8JD, England

Postup posuzování shody vyžadovaný směrnici 2000/14/ES byl v souladu s přílohou VI.

Notifikovaná organizace:

TÜV SÜD Industrie Service GmbH  
Westendstraße 199, D-80686 München  
Identifikační číslo: 0036

Model: ELM3311

Naměřená hladina akustického výkonu: 87,7 dB (A)

Zaručená hladina akustického výkonu: 96 dB (A)

Model: ELM3711

Naměřená hladina akustického výkonu: 91,0 dB (A)

Zaručená hladina akustického výkonu: 96 dB (A)

30. 11. 2012



Tomoyasu Kato

Ředitel

Makita Corporation

3-11-8, Sumiyoshi-cho,

Anjo, Aichi, 446-8502, JAPAN

Explicația vederii generale

- |                         |                        |                        |
|-------------------------|------------------------|------------------------|
| 1. Mâner superior       | 9. Roată față          | 17. Capac roată față   |
| 2. Cutie de distribuție | 10. Capac motor        | 18. Roată față         |
| 3. Buton de siguranță   | 11. Mâner inferior     | 19. Suport roată față  |
| 4. Pârghie de blocare   | 12. Cârlig de cablu    | 20. Capac posterior    |
| 5. Clemă de cablu       | 13. Mâner de comutator | 21. Indicator de nivel |
| 6. Separator de iarbă   | 14. Capac roată spate  | 22. Lumină indicator   |
| 7. Roată spate          | 15. Roată spate        |                        |
| 8. Bază șasiu           | 16. Suport roată spate |                        |

## MAI MULTE INFORMAȚII DESPRE MAȘINA DE TUNS IARBĂ

Citiți acest manual cu atenție, respectând instrucțiunile de siguranță recomandate anterior, în timpul și după utilizarea mașinii de tuns iarba. Prin respectarea acestor simple instrucțiuni, veți păstra mașina de tuns iarba în stare bună de operare. Familiarizați-vă cu comenzile de pe mașina de tuns iarba înainte de a încerca operarea acesteia dar, în special, asigurați-vă că știți modalitățile de oprire în caz de urgență. Păstrați acest manual al utilizatorului și toate celelalte documentații împreună cu mașina de tuns iarba, pentru referințe viitoare.

### 1. SIMBOLURI MARCATE PE PRODUS



Citiți cu atenție acest manual de instrucțiuni înainte de a utiliza mașina de tuns iarba și păstrați-l într-o locație sigură pentru referințe viitoare.



Instruiți persoanele aflate în zonă să păstreze distanța.



Acordați atenție lamelor ascuțite.

Deconectați cablul de alimentare de la mașină înainte de întreținere sau dacă acesta este deteriorat.



Păstrați cablul flexibil de alimentare la distanță de lamele de tăiere.



**SIMBOL ALERTĂ DE SIGURANȚĂ:** Indică o atenționare sau un avertisment și poate fi utilizat împreună cu alte simboluri sau imagini.

### IZOLAȚIE DUBLĂ



Mașina de tuns iarba are o izolație dublă.

Acest lucru înseamnă că toate componentele externe sunt izolate electric față de alimentare. Acest lucru se obține prin amplasarea unei bariere suplimentare de izolare între componentele electrice și mecanice.

### 2. REGULI GENERALE DE SIGURANȚĂ

Scopul regulilor privind siguranța este de a vă atrage atenția asupra potențialelor pericole. Simbolurile de siguranță și explicațiile acestora necesită atenția și înțelegerea dumneavoastră. Avertismentele privind siguranța nu elimină toate pericolele. Instrucțiunile și avertismentele pe care acestea le oferă nu pot înlocui măsurile corecte de prevenire a accidentelor.



**AVERTISMENT:** Nerespectarea avertismentelor privind siguranța poate duce la accidentări serioase. Respectați întotdeauna precauțiile de siguranță pentru a reduce riscul incendiilor, șocurilor electrice și rănilor. Păstrați manualul de utilizare și consultați-l frecvent pentru o permanentă operare în siguranță și pentru instruirea celorlalți în utilizarea acestei mașini.



**AVERTISMENT:** Această mașină produce un câmp electromagnetic în timpul operării. În anumite condiții, acest câmp poate intra în interferență cu implanturi medicale active sau pasive. Pentru a reduce riscul accidentelor grave sau fatale, recomandăm ca persoanele cu implanturi medicale să consulte medicul și producătorul implantului medical înainte a opera această mașină.



**AVERTISMENT:** Operarea oricărei mașini poate duce la proiectarea unor obiecte străine în ochii dumneavoastră, rezultând afecțiuni grave ale vederii. Înainte de a începe operarea mașinii electrice, purtați întotdeauna mănuși sau ochelari de protecție cu apărătoare laterale, sau chiar o mască de protecție a întregii fețe atunci când este cazul. Vă recomandăm masca de siguranță Wide Vision pentru utilizare peste ochelari, sau ochelari de protecție standard cu apărătoare laterale.

- 1) Citiți cu atenție instrucțiunile. Familiarizați-vă cu comenzile și cu utilizarea corectă a echipamentului.
- 2) Nu permiteți niciodată copiilor sau persoanelor care sunt nefamiliarizate cu aceste instrucțiuni să utilizeze mașina de tuns iarba. Reglementările locale pot restricționa vârsta operatorului.
- 3) Nu folosiți mașina când în apropiere se află copii sau animale de companie.
- 4) Amintiți-vă că utilizatorul este responsabil de accidente sau situațiile neprevăzute antrenate de utilizarea mâinii, cauzate altor persoane sau bunurilor acestora.
- 5) În timpul folosirii mâinii, purtați întotdeauna o încălțăminte corespunzătoare (solidă) i pantalonii lungi. Nu folosiți mâna cu picioarele goale sau cu sandale.
- 6) Verificați cu atenție zona în care va fi operată mașina i îndepărtați toate obiectele care pot fi expulzate de mână.
- 7) Înainte de utilizare, inspectați întotdeauna vizual pentru a verifica dacă lamele, șuruburile de lamă sau ansamblul de cuțite nu sunt uzate sau deteriorate. Înlocuiți toate lamele și șuruburile deteriorate sau uzate pentru a menține echilibrarea mașinii.
- 8) Operați mașina doar la lumina zilei sau la o lumină artificială puternică.
- 9) Evitați operarea echipamentului pe iarbă udă, dacă acest lucru este posibil.
- 10) Acordați atenție atunci când vă deplasați pe suprafețe înclinate.
- 11) Nu alergați.
- 12) Pentru mașini rotative cu roți; tundeți iarba de-a lungul pantei, niciodată în sus sau în jos.
- 13) Acordați atenție maximă atunci când schimbați direcția pe suprafețele înclinate.
- 14) Nu tundeți iarba pe o pantă excesiv de abruptă.
- 15) Acordați o atenție maximă atunci când întoarceți sau trageți mașina de tuns iarba spre dumneavoastră.
- 16) Oprțiți lama dacă mașina de tuns iarba trebuie înclinată pentru transport, atunci când traversați suprafețe fără iarbă și atunci când transportați mașina de tuns iarba la sau de la locul de tuns iarba.
- 17) Nu operați niciodată mașina de tuns iarba cu protecțiile defecte, sau fără dispozitivele de siguranță, cum ar fi deflectoarele și/sau separatorul de iarbă.
- 18) Porniți sau oprțiți motorul cu atenție având grijă să respectați instrucțiunile i distanța față de lame.
- 19) Nu înclinați mașina de tuns iarba când porniți motorul, cu excepția situațiilor în care mașina de tuns iarba trebuie înclinată pentru a porni. În acest caz, nu îl înclinați mai mult decât este necesar și ridicați numai partea care se află la distanță de operator.
- 20) Nu porniți motorul când vă aflați în fața jgheabului de descărcare.
- 21) Nu apropiați mâinile sau picioarele de componentele rotative. Păstrați permanent distanța față de orificiul de descărcare.
- 22) Nu ridicați și nu transportați mașina de tuns iarba cu motorul în funcțiune.
- 23) Oprțiți motorul i scoateți cablul din priză:
  - înainte de a elimina blocajele sau a desfunda jgheabul;
  - înainte de a controla, curăța sau lucra cu mașina de tuns iarba;
- după ce ați lovit un obiect străin. Verificați eventualele daune și efectuați reparațiile necesare, înainte de a repune în funcțiune și opera mașina de tuns iarba;
- dacă mașina de tuns iarba începe să vibreze în mod anormal (verificați imediat).
- 24) Oprțiți mașina de tuns iarba:
  - de fiecare dată când lăsați mașina de tuns iarba nesupravegheată.
- 25) Mențineți șuruburile strănse, ca și piulițele, pentru a fi siguri că maina este în condiții bune de funcționare.
- 26) Controlați frecvent ca separatorul de iarbă să nu fie deteriorat sau uzat.
- 27) Pentru siguranță, înlocuiți componentele defecte sau uzate.
- 28) Nu utilizați mașina de tuns iarba în cazul în care cablurile sunt defecte sau uzate.
- 29) Nu conectați un cablu deteriorat la alimentare și nu atingeți un cablu defect înainte de a-l deconecta de la priză. Un cablu deteriorat poate duce la contact cu componentele aflate sub tensiune.
- 30) Nu atingeți lama înainte de deconectarea mașinii de la alimentare și oprirea completă a acesteia.
- 31) Cablurile de prelungire trebuie menținute la distanță de lamă. Lama poate duce la deteriorarea cablurilor, existând pericolul intrării în contact cu componente aflate sub tensiune.
- 32) Deconectați alimentarea (adică scoateți fișa din priză):
  - de fiecare dată când lăsați mașina nesupravegheată;
  - înainte de eliberarea unui blocaj;
  - înainte de a controla, curăța sau lucra cu mașina;
  - după ce ați lovit un obiect străin;
  - de fiecare dată când mașina începe să vibreze anormal.
- 33) Copiii trebuie supravegheați pentru a vă asigura că nu se joacă cu echipamentul.
- 34) Acest echipament nu este destinat utilizării de către persoane (inclusiv copii) cu capacități fizice, senzoriale sau mentale reduse, sau lipsite de experiență și cunoștințe, cu excepția cazului în care ele au fost supravegheate sau instruite cu privire la utilizarea echipamentului de către o persoană responsabilă pentru securitatea lor.
- 35) În cazul în care cablul de alimentare este deteriorat, acesta trebuie înlocuit cu un cablu special sau un ansamblu disponibil de la producător sau de la agentul de service.
- 36) Instrucțiuni pentru operarea sigură a echipamentului, inclusiv o recomandare privind faptul că echipamentul trebuie prevăzut cu un diferențial (RCD) cu un curent de decuplare de maxim 30 mA.
- 37) Aveți grijă în timpul reglării mașinii pentru a preveni prinderea degetelor între lamele în mișcare și piesele fixe ale mașinii.
- 38) Lăsați întotdeauna mașina să se răcească înainte de a o depozita.
- 39) Când efectuați operațiuni de service asupra lamelor, rețineți că, deși sursa de alimentare este oprită, lamele pot fi mișcate în continuare.
- 40) Pentru siguranță, înlocuiți componentele defecte sau uzate; Utilizați doar piese de schimb și accesorii originale.

- 41) Aveți grijă în timpul reglării echipamentului pentru a preveni prinderea degetelor între lamele în mișcare și piesele fixe ale echipamentului.
- 42) Înainte de utilizare, verificați cablul de alimentare și cablul prelungitor pentru identificarea semnelor de deteriorare sau uzură. În cazul în care cablul se deteriorează în timpul utilizării, deconectați imediat cablul de la alimentare. **NU ATINGEȚI CABLUL ÎNAINTEA DECONECTĂRII DE LA PRIZA**

- ELECTRICĂ. Nu utilizați echipamentul în cazul în care cablul este deteriorat sau uzat.
- 43) Dacă cordonul de alimentare este deteriorat, trebuie înlocuit de către fabricant, agentul său de service sau persoane cu calificare similară, pentru a evita orice pericol.

### 3. DESCRIEREA COMPONENTELOR (Fig. 1)

## 4. DATE TEHNICE

Model:	ELM3311	ELM3711
Tensiune nominală:	230 V~	230 V~
Frecvență nominală:	50 Hz	50 Hz
Putere nominală:	1.100 W	1.300 W
Fără turație la sarcină:	2.900/min	2.900/min
Lățime de tăiere:	330 mm	370 mm
Nivel de presiune sonoră garantat:	96 dB (A)	96 dB (A)
$L_{pA}$ (SPL) la poziția utilizatorului:	75,4 dB (A), K=3 dB (A)	77,6 dB (A), K=3 dB (A)
Nivel de vibrații garantat:	0,672 m/s <sup>2</sup> , K=1,5 m/s <sup>2</sup>	0,917 m/s <sup>2</sup> , K=1,5 m/s <sup>2</sup>
Capacitate separator de iarbă:	27 L	35 L
Greutate netă:	13,1 kg	14,9 kg
Grad de protecție împotriva lichidelor:	IP24	IP24
Reglare înălțime:	20/40/55 mm, reglare 3	20/40/55 mm, reglare 3

## 5. ASAMBLARE

### 5-1 ASAMBLAȚI ROATA

Introduceți axul capacului de roată față și spate în roată și apoi înșurubați-l în orificiul suportului de roată. (Fig. 2)



**AVERTISMENT:** Toate roțile trebuie să se afle la aceeași înălțime.

### 5-2 ASAMBLAȚI MÂNERUL PLIABIL

- A) Introduceți barele de manevrare inferioare în găurile fixe ale bazei șasiului și apoi fixați cu șurubul furnizat, utilizând o șurubelniță. (Fig. 3, Fig. 4, Fig. 5)
- B) Conectați mânerul superior și mânerul inferior cu pârghia de blocare. (Fig. 6, Fig. 7)
- C) Poziționați cablul peste axul mânerului. Prindeți cablul în jurul mijlocului mânerului inferior cu ajutorul clemei de cablu, astfel încât cablul să fie fixat în exteriorul mânerului. În caz contrar, cablul poate fi prins în deschiderea/închiderea capacului posterior. (Fig. 8)

### 5-3 ASAMBLAȚI SEPARATORUL DE IARBĂ

1. Pentru montare: Ridicați capacul posterior și cuplați separatorul de iarbă în partea din spate a mașinii de tuns iarba. (Fig. 9, Fig. 10, Fig. 11)
2. Pentru demontare: Prindeți și ridicați capacul posterior, scoateți separatorul de iarbă.

Pe partea de sus a separatorului de iarbă se află un indicator de nivel care indică dacă separatorul este gol sau plin (Fig. 12A, Fig. 12B):

- Indicatorul de nivel se umflă dacă separatorul nu este plin în timpul deplasării. (Fig. 12B)
- Dacă separatorul este plin, indicatorul se dezumflă. După ce se întâmplă acest lucru, opriți imediat deplasarea și goliți separatorul, asigurați-vă că este curat și că împletitura acestuia este ventilată. (Fig. 12A)

### IMPORTANT

Dacă poziția deschiderii indicatorului este foarte murdară, indicatorul nu se va umfla. În acest caz, curățați imediat poziția deschiderii indicatorului.

## 6. REGLAREA ÎNĂLȚIMII DE TĂIERE

Înălțimea de tăiere este reglată prin atașarea roților la orificiul necesar.

Toate roțile trebuie să se afle la aceeași înălțime. Înălțimea (lamă față de sol) poate fi reglată de la 20 mm la 55 mm (3 poziții de înălțime). (Fig. 13)  
Cea mai redusă reglare: 20 mm (poziție (1)); reglare medie: 40 mm (poziție (2)); cea mai mare reglare: 55 mm (poziție (3)).



**AVERTISMENT:** Deconectați cablul electric de la sursa de alimentare.



**AVERTISMENT:** Efectuați această reglare doar când lama este oprită.

## 7. MĂSURI DE PRECAUȚIE PRIVIND SIGURANȚA

- Operați mașina întotdeauna cu deflectorul sau separatorul de iarbă în poziție corectă.
- Oprii întotdeauna motorul înainte de a demonta separatorul de iarbă sau de a regla înălțimea poziției de tăiere.
- Înainte de operare, îndepărtați toate obiectele străine de pe gazon, acestea putând fi proiectate de mașină. În timp ce tundeți iarba, rămâneți în permanență atenți la obiectele străine care ar fi putut fi omise. (Fig. 14)
- Nu ridicați niciodată partea din spate a mașinii de tuns iarba în timpul pornirii motorului sau în timpul operării normale. (Fig. 15)
- Nu vă introduceți mâinile sau picioarele sub baza șasiului sau sub jghebul de descărcare din spate în timp ce motorul operează. (Fig. 16)

## 8. PORNIRE

Înainte de a conecta mașina de tuns iarba la alimentarea cu energie electrică, asigurați-vă că tensiunea de alimentare este de 230 V ~ 50 Hz.

Înainte de a porni mașina de tuns iarba, fixați cablul prelungitor în cârligul de cablu. (Fig. 17)

Când mașina de tuns iarba pornește, lumina indicatoare se va aprinde. (Fig. 18)

Porniți motorul în modul următor. (Fig. 19)

- Apăsați butonul de siguranță (1).
- În același timp, trageți mânerul de comutator (2) și menține-l în poziția respectivă.

Împingeți manual mașina de tuns iarba când motorul operează.

Când eliberați mânerul de comutator, motorul se va opri.



**ATENȚIE:** Lama începe să se rotească imediat ce motorul este pornit.



**AVERTISMENT:** Elementele de tăiere continuă să se rotească după oprirea motorului.

## 9. LAMĂ

Lama este construită din oțel presat. Va fi necesară remodelarea frecventă a acesteia (cu un disc de șlefuire). Asigurați-vă că aceasta este întotdeauna echilibrată (o lamă neechilibrată va cauza vibrații periculoase). Pentru a verifica echilibrul, introduceți o tijă rotundă prin orificiul central și susțineți lama orizontal. (Fig. 20) O lamă echilibrată va rămâne în poziție orizontală. Dacă lama nu este echilibrată, capătul mai greu se va roti în jos.

Remodelați capătul greu până când lama este echilibrată. (Fig. 21) Pentru de demonta lama (2), deșurubați șurubul lamei (3). (Fig. 22, Fig. 23, Fig. 24)

Verificați starea ventilatorului (1) și înlocuiți orice componente care sunt defecte. (Fig. 22)

La reasamblare, asigurați-vă că marginile de tăiere sunt orientate în direcția de rotire a motorului. Șurubul lamei (3) trebuie să aibă un cuplu de 20 - 25 Nm.



**AVERTISMENT:** Pentru service, înlocuiți lama cu: doar pentru MAKITA 263001422 (pentru ELM3311) și MAKITA 263001414 (pentru ELM3711).

## 10. CABLURI DE PRELUNGIRE

Trebuie să utilizați doar cabluri de prelungire pentru uz în exterior, obișnuite, cu o secțiune transversală nu mai mică de 1,0 mm<sup>2</sup>.

Înainte utilizării, verificați cablurile de alimentare și prelungire pentru semne de uzură în timpul utilizării, deconectați cablul pentru semne de deteriorare sau uzură. În cazul în care cablul se deteriorează în timpul utilizării, deconectați imediat cablul de la alimentare. **NU ATINGEȚI CABLUL ÎNAINTEA DECONECTĂRII DE LA PRIZA ELECTRICĂ.** Nu utilizați echipamentul în cazul în care cablul este deteriorat sau uzat. Mențineți cablul de prelungire la distanță de elementele de tăiere.



**AVERTISMENT:** Asigurați-vă întotdeauna că orificiile de ventilare nu conțin reziduuri.

## 11. ÎNTREȚINERE ȘI ÎNGRIJIRE



**AVERTISMENT:** Înainte efectuării oricărui operații de întreținere sau curățare, deconectați întotdeauna cablul de alimentare de la priză!

Nu pulverizați unitatea cu apă. Pătrunderea apei poate distruge unitatea și motorul electric. Curățați unitatea cu o lavetă, o perie manuală, etc.

**Este necesară o verificare expertă; nu efectuați niciun reglaj dumneavoastră; contactați centrul de service autorizat Makita:**

- în cazul în care mașina de tuns iarba lovește un obiect.
- dacă motorul se oprește brusc.
- dacă lama este îndoită (nu aliniați!).
- dacă axul motorului este îndoit (nu aliniați!).
- dacă apare un scurtcircuit la conectarea cablului.
- dacă pinioanele sunt deteriorate.
- în cazul în care cureaua trapezoidală este defectă.



## 12. DEPANARE



**AVERTISMENT:** Înainte de efectuarea oricăror operații de întreținere sau curățare, deconectați cablul de alimentare și așteptați oprirea completă a lamei.

Defect	Acțiune de remediere
Motorul nu operează	Verificați cablul de alimentare. Porniți mașina pe o zonă cu iarbă scurtă, sau pe o zonă care deja a fost tunsă. Curățați carcasa/canalul de descărcare - lama de tăiere trebuie să se rotească liber. Corecțiți înălțimea de tăiere.
Căderi de tensiune	Corecțiți înălțimea de tăiere. Curățați canalul/carcasa de descărcare. Reascuțiți/înlocuiți lama de tăiere → centru de service autorizat.
Separatorul de iarbă nu este plin	Corecțiți înălțimea de tăiere. Permiteți uscarea gazonului. Reascuțiți/înlocuiți lama de tăiere → centru de service autorizat. Curățați grila separatorului de iarbă. Curățați canalul/carcasa de descărcare.
Roata de acționare nu funcționează	Reglați cablul flexibil. Verificați cureaua trapezoidală/ pinioanele → centru de service autorizat. Verificați roata de acționare pentru defecțiuni.



**ATENȚIE:** Defectele care nu pot fi remediate cu ajutorul acestui tabel, pot fi remediate doar de către un centru de service autorizat Makita.

## 13. DEpunERE LA DEȘURI ÎNTR-UN MOD ECOLOGIC



Conform Directivei UE 2002/96/CE privind echipamentele electrice și electronice și implementarea acesteia în legislația națională, toate echipamentele electrice trebuie colectate separat și reciclate ecologic.

Depunere alternativă la deșuri: În cazul în care proprietarul echipamentului electric nu returnează echipamentul producătorului, acesta este răspunzător pentru depunerea corespunzătoare la un punct de colectare special desemnat care va pregăti echipamentul pentru reciclare conform legilor și reglementărilor naționale privind reciclarea.

Nu sunt incluse accesoriile și echipamentele fără componente electrice sau electronice.

**Doar pentru țările europene**

**Declarație de conformitate CE**

**Subscrisa, Makita Corporation, în calitate de producător responsabil, declară că următoarele (următoarele) uneltă (unelte) Makita:**

Denumirea utilajului: Mașină de tuns iarba

Nr. model/Tip: ELM3311, ELM3711

Specificații: Consultați "4. DATE TEHNICE" sunt produse de serie și

**sunt în conformitate cu următoarele Directive**

**Europene:**

2004/108/CE, 2006/42/CE, 2000/14/CE & 2005/88/CE, 2006/95/CE

Și sunt fabricate în conformitate cu următoarele standarde sau documente standardizate:

EN 60335, EN 62233, EN 55014, EN 61000

Documentația tehnică este păstrată de:

Makita International Europe Ltd.,  
Michigan Drive, Tongwell,  
Milton Keynes, MK15 8JD, Anglia

Procedura de evaluare a conformității cerută de Directiva 2000/14/CE s-a efectuat în conformitate cu anexa VI.

Organism notificat:

TÜV SÜD Industrie Service GmbH  
Westendstraße 199, D-80686 München  
Număr de identificare: 0036

Model: ELM3311

Nivel de putere acustică măsurată: 87,7 dB (A)

Nivel de putere acustică garantat: 96 dB (A)

Model: ELM3711

Nivel de putere acustică măsurată: 91,0 dB (A)

Nivel de putere acustică garantat: 96 dB (A)

30. 11. 2012

Tomoyasu Kato  
Director

Makita Corporation  
3-11-8, Sumiyoshi-cho,  
Anjo, Aichi, 446-8502, JAPAN

## Пояснения к общему виду

- |                                  |                               |                                 |
|----------------------------------|-------------------------------|---------------------------------|
| 1. Верхняя рукоятка              | 9. Переднее колесо            | 17. Ограждение переднего колеса |
| 2. Блок переключателей           | 10. Капот                     | 18. Переднее колесо             |
| 3. Кнопка экстренного отключения | 11. Нижняя рукоятка           | 19. Опора переднего колеса      |
| 4. Стопорный рычаг               | 12. Кабельный кронштейн       | 20. Задняя крышка               |
| 5. Кабельный захим               | 13. Ручка с выключателем      | 21. Индикатор уровня            |
| 6. Бункер для сбора травы        | 14. Ограждение заднего колеса | 22. Индикатор                   |
| 7. Заднее колесо                 | 15. Заднее колесо             |                                 |
| 8. Поддон                        | 16. Опора заднего колеса      |                                 |

## ЗНАКОМСТВО С ГАЗОКОСИЛКОЙ

Внимательно прочтите данное руководство и следуйте указаниям по технике безопасности перед началом работы, во время нее и после окончания использования газонокосилки. Выполнение этих несложных инструкций поможет также поддерживать надлежащую работоспособность газонокосилки. Познакомьтесь с органами управления газонокосилки до начала эксплуатации, но самое главное – узнайте, как выключить газонокосилку в экстренной ситуации. Сохраните руководство пользователя и прочую документацию по газонокосилке для дальнейшего использования.

### 1. МАРКИРОВКИ НА ИЗДЕЛИИ



Внимательно прочтите данное руководство перед началом эксплуатации газонокосилки и сохраните его в надежном месте для дальнейшего использования.



Не допускайте посторонних к месту работ.



Берегитесь острых лезвий.



Располагайте гибкий кабель питания на расстоянии от ножей.



**ЗНАК ПРЕДУПРЕЖДЕНИЯ О ПОТЕНЦИАЛЬНОЙ ОПАСНОСТИ:** Указывает на необходимость соблюдения осторожности в сочетании с другими символами или изображениями.

### ДВОЙНАЯ ИЗОЛЯЦИЯ



Ваша газонокосилка оснащена двойной изоляцией.

Это означает, что все внешние детали имеют электроизоляцию от источника питания. Это достигается путем помещения дополнительного изоляционного барьера между электрическими и механическими деталями.

### 2. ОБЩИЕ ПРАВИЛА ТЕХНИКИ БЕЗОПАСНОСТИ

Назначение правил техники безопасности – привлечь ваше внимание к возможным опасностям. Символы техники безопасности и пояснения к ним требуют вашего внимания и понимания. Предупреждения сами по себе не устраняют опасность. Инструкции или предупреждения не заменяют мероприятий по предотвращению несчастных случаев.



**ПРЕДОСТЕРЕЖЕНИЕ:** Неследование предупреждению по технике безопасности может привести к серьезной травме оператора или окружающих. Во избежание риска возгорания, поражения электрическим током или получения травмы следует соблюдать правила техники безопасности. Сохраните данное руководство пользователя и периодически просматривайте его, чтобы обеспечить безопасную эксплуатацию и структурировать других пользователей данного изделия.



**ПРЕДОСТЕРЕЖЕНИЕ:** Во время работы данное устройство создает электромагнитное поле. В некоторых случаях это поле может создавать помехи для активных или пассивных медицинских имплантатов. Чтобы уменьшить риск тяжелой или смертельной травмы, перед началом эксплуатации устройства людям с медицинскими имплантатами рекомендуется проконсультироваться с врачом и производителем имплантата.



**ПРЕДОСТЕРЕЖЕНИЕ:** Эксплуатация любого инструмента может привести к попаданию инородных предметов в глаза, что может послужить причиной тяжелого ущерба зрению. Перед началом работы с

инструментом обязательно надевайте защитные очки или очки с боковыми щитками, либо защитную маску (если необходимо). Рекомендуется использовать защитную маску с увеличенным углом обзора – у нее много преимуществ по сравнению с очками или стандартными защитными очками с боковыми щитками.

- 1) Внимательно прочитайте инструкции. Ознакомьтесь со всеми органами управления и правилами правильной эксплуатации изделия.
- 2) Не разрешайте детям и лицам, не знакомым с данными инструкциями, пользоваться газонокосилкой. В местном законодательстве могут существовать возрастные ограничения для операторов.
- 3) Запрещается эксплуатировать газонокосилку, если поблизости находятся люди (в особенности дети) или животные.
- 4) Помните, что оператор/пользователь несет ответственность за происшествия и опасные ситуации с другими людьми или их собственностью.
- 5) На время стрижки газона обязательно надевайте прочную обувь и длинные брюки. Не пользуйтесь оборудованием босиком или в открытых сандалиях.
- 6) Тщательно осмотрите место, где будет использоваться оборудование, и удалите все предметы, которые могут быть отброшены машиной.
- 7) Перед использованием обязательно осмотрите лезвия, болты крепления лезвий и режущий узел на предмет износа и повреждений. Заменяйте изношенные или поврежденные лезвия и болты комплектами, чтобы не допустить нарушения балансировки.
- 8) Стрижку газонов выполняйте только в дневное время или при хорошем искусственном освещении.
- 9) По возможности не используйте оборудование на мокрой траве.
- 10) Соблюдайте осторожность на склонах.
- 11) Передвигайтесь шагом, не бегайте.
- 12) При использовании колесных ротационных машин стрижку склонов выполняйте только поперек, но ни в коем случае не вверх и не вниз по склону.
- 13) Соблюдайте особую осторожность, меняя направление движения на склонах.
- 14) Не выполняйте стрижку на чересчур крутых склонах.
- 15) Соблюдайте особую осторожность при движении задним ходом или подтягивая газонокосилку к себе.
- 16) Обязательно выключайте лезвие, если газонокосилку необходимо наклонить для транспортировки по поверхности, отличной от травы, либо при транспортировке газонокосилки к месту эксплуатации и обратно.
- 17) Запрещается эксплуатировать газонокосилку с неисправными ограждениями или без защитных приспособлений, например, дефлекторов или бункера для сбора травы.
- 18) Включайте и выключайте электромотор осторожно, в соответствии с инструкциями, ноги

при этом должны находиться как можно дальше от лезвий.

- 19) Не наклоняйте газонокосилку при включении электромотора, за исключением случаев, когда это предусмотрено для запуска двигателя. В этом случае наклоняйте ее на минимальный угол, и поднимайте только дальнюю от оператора часть.
- 20) Не включайте электромотор, стоя перед разгрузочным желобом.
- 21) Не помещайте руки или ноги под вращающиеся детали или вблизи них. В любой ситуации не становитесь перед разгрузочным отверстием.
- 22) Не поднимайте и не переносите газонокосилку с работающим двигателем.
- 23) Выключите электромотор и отсоедините вилку:
  - перед устранением засоров и удалением предметов, закупоривших желоб;
  - перед проверкой, очисткой или обслуживанием газонокосилки;
  - после удара о посторонний предмет. Осмотрите газонокосилку на предмет повреждений и устраните неисправность, прежде чем включать и эксплуатировать газонокосилку;
  - если началась ненормальная вибрация газонокосилки (немедленно проверьте).
- 24) Выключайте газонокосилку:
  - оставляя ее без присмотра.
- 25) Венте гайки, болты и винты должны быть надежно затянуты - это обеспечит безопасность и работоспособность.
- 26) Периодически проверяйте бункер для сбора травы на предмет износа и снижения эксплуатационных качеств.
- 27) Чтобы обеспечить безопасность, заменяйте изношенные и поврежденные детали.
- 28) Не используйте газонокосилку с поврежденным или изношенным кабелем.
- 29) Не подключайте поврежденный кабель к источнику питания и не прикасайтесь к поврежденному кабелю до тех пор, пока он не будет отсоединен от источника питания. Поврежденный кабель может привести к контакту с деталями, находящимися под напряжением.
- 30) Не касайтесь лезвия до тех пор, пока машина не будет отсоединена от источника питания, и лезвие полностью не остановится.
- 31) Располагайте удлинительные кабели в стороне от лезвия. Лезвие может повредить кабели и коснуться деталей под напряжением.
- 32) Отсоединяйте источник питания (т.е. извлекайте вилку из розетки):
  - оставляя машину без присмотра;
  - перед устранением засора;
  - перед проверкой, очисткой или обслуживанием устройства;
  - после удара о посторонний предмет;
  - при появлении ненормальной вибрации.
- 33) Следует следить за маленькими детьми, чтобы они не использовали устройство в качестве игрушки.
- 34) Данное устройство не предназначено для использования людьми (включая детей) с ограниченными физическими, сенсорными или

- умственными возможностями, либо не имеющими соответствующего опыта или знаний, за исключением случаев, когда они действуют под руководством или после надлежащего инструктажа по использованию устройства со стороны лица, ответственного за их безопасность.
- 35) В случае повреждения кабеля питания его необходимо заменить специальным кабелем или узлом, который приобретается у производителя или в сервисном центре.
- 36) Инструкции по безопасной эксплуатации устройства, включая рекомендации по питанию устройства через источник остаточного тока (RCD) с током отключения не более 30 мА.
- 37) Соблюдайте осторожность при регулировке машины, чтобы не допустить захвата пальцев между движущимися лезвиями и неподвижными деталями машины.
- 38) Перед постановкой на хранение дайте устройству остыть.
- 39) При обслуживании лезвий следует помнить, что лезвия могут двигаться даже при отключенном питании.

- 40) Чтобы обеспечить безопасность, заменяйте изношенные и поврежденные детали. Используйте только оригинальные запчасти и дополнительные принадлежности.
- 41) Соблюдайте осторожность при регулировке устройства, чтобы не допустить захвата пальцев между движущимися лезвиями и неподвижными деталями устройства.
- 42) Перед началом эксплуатации проверьте сетевой и удлинительный кабели на предмет повреждений или износа. В случае повреждения кабеля во время работы немедленно отсоедините кабель от источника питания. НЕ КАСАЙТЕСЬ КАБЕЛЯ ДО ОТКЛЮЧЕНИЯ ОТ ИСТОЧНИКА ПИТАНИЯ. Не используйте устройство, если кабель поврежден или изношен.
- 43) Если шнур питания поврежден, во избежание риска его следует заменить у производителя, в его сервисной службе или обратиться к лицу, наделенному аналогичными полномочиями.

### 3. ОПИСАНИЕ ДЕТАЛЕЙ (Рис. 1)

## 4. ТЕХНИЧЕСКИЕ ДАННЫЕ

Модель:	ELM3311	ELM3711
Номинальное напряжение:	230 В ~	230 В ~
Номинальная частота:	50 Гц	50 Гц
Номинальная мощность:	1100 Вт	1300 Вт
Скорость без нагрузки:	2900/мин	2900/мин
Ширина среза:	330 мм	370 мм
Гарантированный уровень звуковой мощности:	96 дБ (А)	96 дБ (А)
Уровень звукового давления ( $L_{pA}$ ) (SPL) со стороны оператора:	75,4 дБ (А), K=3 дБ (А)	77,6 дБ (А), K=3 дБ (А)
Гарантированный уровень вибрации:	0,672 м/с <sup>2</sup> , K=1,5 м/с <sup>2</sup>	0,917 м/с <sup>2</sup> , K=1,5 м/с <sup>2</sup>
Объем бункера для сбора травы:	27 л	35 л
Вес нетто:	13,1 кг	14,9 кг
Уровень герметичности:	IP24	IP24
Регулировка высоты:	20/40/55 мм, 3 положений	20/40/55 мм, 3 положений

## 5. СБОРКА

### 5-1 СОБЕРИТЕ КОЛЕСО

Вставьте ось ограждения переднего и заднего колеса в колесо и вверните в отверстие опоры колеса. (Рис. 2)



**ПРЕДОСТЕРЕЖЕНИЕ:** Все колеса должны быть установлены на одной высоте.

### 5-2 СОБЕРИТЕ СКЛАДНУЮ РУКОЯТКУ

- А) Вставьте нижние концы рукоятки в отверстия поддона, затем с помощью отвертки зафиксируйте прилагаемым винтом. (Рис. 3, Рис. 4, Рис. 5)
- В) Соедините верхнюю и нижнюю рукоятки стопорным рычагом. (Рис. 6, Рис. 7)

- С) Проложите кабель по оси рукоятки. Зафиксируйте его вокруг нижней рукоятки с помощью кабельного зажима и убедитесь, что кабель располагается в стороне от рукоятки. В противном случае кабель может быть зажат при открытии/закрытии задней крышки. (Рис. 8)

### 5-3 СБОРКА БУНКЕРА ДЛЯ СБОРА ТРАВЫ

1. Установка: Поднимите заднюю крышку и присоедините бункер для сбора травы в задней части газонокосилки. (Рис. 9, Рис. 10, Рис. 11)
2. Снятие: Возьмитесь за заднюю крышку и поднимите ее, затем отсоедините бункер.

В верхней части бункера для сбора травы предусмотрен индикатор уровня заполнения бункера (Рис. 12А, Рис. 12В):

- Индикатор уровня увеличивается, если бункер для сбора травы не заполнен во время перемещения. (Рис. 12В)
- Если бункер для сбора травы полный, индикатор уменьшается. В этом случае немедленно прекратите перемещение и опорожните бункер. Убедитесь, что он чистый, а его сетка вентилируется. (Рис. 12А)

### ВАЖНО

Если отверстие индикатора сильно загрязнено, он не будет увеличиваться. В этом случае немедленно очистите отверстие индикатора.

## 6. НАСТРОЙКА ВЫСОТЫ СРЕЗАНИЯ

Высота срезания настраивается путем установки колес в нужное отверстие.

Все колеса должны быть установлены на одной высоте.

Высоту (лезвия от земли) можно отрегулировать в диапазоне от 20 мм - 55 мм (3 положения высоты). (Рис. 13)

Крайняя нижняя регулировка: 20 мм (положение (1)); средняя регулировка: 40 мм (положение (2)); крайняя верхняя регулировка: 55 мм (положение (3)).



**ПРЕДОСТЕРЕЖЕНИЕ:** Отсоедините кабель от источника питания.



**ПРЕДОСТЕРЕЖЕНИЕ:** Выполняйте регулировку только после останова лезвия.

## 7. ПРАВИЛА ТЕХНИКИ БЕЗОПАСНОСТИ

- Эксплуатируйте изделие только с правильно установленным дефлектором или бункером для сбора травы.
- Обязательно выключайте электродвигатель перед снятием бункера для сбора травы или перед настройкой высоты срезания.
- Перед началом обработки газона удалите с него все посторонние предметы, которые могут быть отброшены машиной. Во время обработки газона обращайтесь внимание на любые посторонние предметы, которые могли быть пропущены при первом поиске. (Рис. 14)
- Запрещается поднимать заднюю часть газонокосилки при запуске электродвигателя или в обычном режиме эксплуатации. (Рис. 15)
- При работающем электродвигателе не помещайте руки под поддон или в задний разгрузочный желоб. (Рис. 16)

## 8. ПУСК

Перед подключением газонокосилки к источнику электропитания убедитесь, что напряжение в сети составляет 230 В ~ 50 Гц.

Перед запуском газонокосилки установите удлинительный кабель на кабельный кронштейн. (Рис. 17)

При подаче питания на газонокосилку включается индикатор. (Рис. 18)

Запустите двигатель следующим образом. (Рис. 19)

- Нажмите кнопку экстренного отключения (1).
- Одновременно потяните и удерживайте ручку с выключателем (2).

Когда заработает электродвигатель, толкайте газонокосилку руками.

Если отпустить ручку с выключателем, мотор остановится.



**ПРЕДУПРЕЖДЕНИЕ:** Лезвие начинает вращаться одновременно с пуском электродвигателя.



**ПРЕДОСТЕРЕЖЕНИЕ:** После выключения электродвигателя режущие элементы продолжают вращаться.

## 9. ЛЕЗВИЕ

Лезвие изготовлено из штампованной стали. Его форму необходимо часто восстанавливать (на шлифовальном круге).

Обязательно проверяйте его балансировку (лезвие с нарушенной балансировкой вызывает опасные вибрации). Чтобы проверить балансировку, вставьте круглый стержень в центральное отверстие и установите под него горизонтальную опору. (Рис. 20) Сбалансированное лезвие останется горизонтальным. Если балансировка лезвия нарушена, тяжелый конец повернется книзу.

Изменяйте форму тяжелого конца до тех пор, пока лезвие не будет сбалансировано. (Рис. 21) Чтобы снять лезвие (2), отверните винт крепления лезвия (3). (Рис. 22, Рис. 23, Рис. 24)

Проверьте состояние вентилятора (1) и замените поврежденные детали. (Рис. 22)

При сборке убедитесь, что режущие кромки направлены в направлении вращения электродвигателя. Винт крепления лезвия (3) должен быть затянут усилием 20-25 Нм.



**ПРЕДОСТЕРЕЖЕНИЕ:** При обслуживании заменяйте лезвие только следующим: MAKITA 263001422 (для ELM3311) и MAKITA 263001414 (для ELM3711).

## 10. УДЛИНИТЕЛЬНЫЕ КАБЕЛИ

Разрешается использовать только стандартные удлинительные кабели для наружных работ с сечением не менее 1,0 мм<sup>2</sup>.

Перед использованием проверьте сетевой и удлинительный кабели на предмет повреждений во время использования, если имеются следы повреждения или старения, отсоедините такой кабель. В случае повреждения кабеля во время работы немедленно отсоедините кабель от источника

питания. НЕ КАСАЙТЕСЬ КАБЕЛЯ ДО ОТКЛЮЧЕНИЯ ОТ ИСТОЧНИКА ПИТАНИЯ. Не используйте устройство, если кабель поврежден или изношен. Располагайте удлинительный кабель в стороне от других элементов.



**ПРЕДОСТЕРЕЖЕНИЕ:** Следите за тем, чтобы вентиляционные отверстия не были засорены.

## 11. ОБСЛУЖИВАНИЕ И УХОД



**ПРЕДОСТЕРЕЖЕНИЕ:** Перед выполнением любых работ по обслуживанию и уходу обязательно отсоединяйте вилку от сети!

Не брызгайте на устройство водой. Проникновение внутрь воды может вывести из строя переключатель и электромотор. Очищайте устройство тканью, ручной щеткой и т.п.

**В следующих случаях требуется осмотр изделия специалистом, не выполняйте никакие настройки самостоятельно, обращайтесь для этого в официальный сервисный центр Makita:**

- если газонокосилка ударилась о предмет;
- если электромотор внезапно выключился;
- если лезвие погнулось (не выпрямлять!);
- если вал электромотора погнулся (не выпрямлять!);
- если происходит короткое замыкание при подключении кабеля;
- если повреждены шестерни;
- если имеются дефекты клинового ремня.

## 12. ПОИСК И УСТРАНЕНИЕ НЕИСПРАВНОСТЕЙ



**ПРЕДОСТЕРЕЖЕНИЕ:** Перед выполнением любых работ по обслуживанию или очистке обязательно отсоедините вилку от сети и дождитесь полной остановки ножа.

Неисправность	Способ устранения
Не работает электромотор	Проверьте кабель питания. Включайте электромотор на невысокой траве или на уже подстриженном участке газона. Очистите разгрузочный канал/ корпус - лезвие должно вращаться свободно. Исправьте высоту срезания.
Падает мощность двигателя	Исправьте высоту срезания. Очистите разгрузочный канал/ корпус. Заточите/замените лезвие → в официальном сервисном центре.
Бункер для сбора травы не заполняется	Исправьте высоту срезания. Дождитесь высыхания газона. Заточите/замените лезвие → в официальном сервисном центре. Очистите решетку на бункере для сбора травы. Очистите разгрузочный канал/ корпус.
Не работает привод колес	Отрегулируйте гибкий кабель. Проверьте клиновой ремень/ шестерни → в официальном сервисном центре. Проверьте приводные колеса на предмет повреждений.



**ПРЕДУПРЕЖДЕНИЕ:** Неисправности, которые не удается устранить с помощью этой таблицы, могут быть исправлены только в официальном сервисном центре Makita.

## 13. ЭКОЛОГИЧЕСКИ БЕЗОПАСНАЯ УТИЛИЗАЦИЯ



Согласно директиве ЕС 2002/96/ЕС по электрическому и электронному оборудованию и ее реализации в национальном законодательстве все электроинструменты необходимо собирать отдельно и сдавать на экологически безопасную переработку. Другой вариант утилизации: Если владелец электроинструмента не возвращает инструмент производителю, он несет ответственность за надлежащую утилизацию в определенных пунктах сбора, где происходит подготовка изделий к переработке в соответствии с национальными законами и правилами по переработке. Это не распространяется на дополнительные принадлежности и инструменты без электрических и электронных компонентов.

**Только для европейских стран**  
**Декларация о соответствии ЕС**  
**Makita Corporation, являясь ответственным**  
**производителем, заявляет, что следующие**  
**устройства Makita:**

Обозначение устройства: Газонокосилка  
№ модели/тип: ELM3311, ELM3711  
Технические характеристики: См. раздел  
"4. ТЕХНИЧЕСКИЕ ДАННЫЕ" являются серийными  
изделиями и

**соответствуют следующим директивам ЕС:**  
2004/108/EC, 2006/42/EC, 2000/14/EC & 2005/88/  
EC, 2006/95/EC

И изготовлены в соответствии со следующими  
стандартами или нормативными документами:  
EN 60335, EN 62233, EN 55014, EN 61000

Техническая документация хранится по адресу:  
Makita International Europe Ltd.,  
Michigan Drive, Tongwell,  
Milton Keynes, MK15 8JD, England

Процедура оценки соответствия согласно директиве  
2000/14/EC была проведена в соответствии с  
приложением VI.

Уполномоченный орган:  
TÜV SÜD Industrie Service GmbH  
Westendstraße 199, D-80686 München  
Идентификационный номер: 0036

Модель: ELM3311  
Измеренный уровень звуковой мощности:  
87,7 дБ (А)  
Гарантированный уровень звуковой мощности:  
96 дБ (А)

Модель: ELM3711  
Измеренный уровень звуковой мощности:  
91,0 дБ (А)  
Гарантированный уровень звуковой мощности:  
96 дБ (А)

30. 11. 2012



Tomoyasu Kato (Томояшу Като)  
Директор  
Makita Corporation  
3-11-8, Sumiyoshi-cho,  
Anjo, Aichi, 446-8502, JAPAN

## Пояснення загального вигляду

- |                                  |                            |                              |
|----------------------------------|----------------------------|------------------------------|
| 1. Верхня ручка                  | 9. Переднє колесо          | 17. Кришка переднього колеса |
| 2. Блок вимикача                 | 10. Кришка двигуна         | 18. Переднє колесо           |
| 3. Кнопка безпеки                | 11. Нижня ручка            | 19. Опора переднього колеса  |
| 4. Фіксуєчий важіль              | 12. Гак для кабелю         | 20. Задня кришка             |
| 5. Затискач для кріплення кабелю | 13. Ручка вимикача         | 21. Індикатор рівня          |
| 6. Травозбірник                  | 14. Кришка заднього колеса | 22. Лампа індикатора         |
| 7. Заднє колесо                  | 15. Заднє колесо           |                              |
| 8. Піддон                        | 16. Опора заднього колеса  |                              |

## ДІЗНАЙТЕСЯ ПРО СВОЮ ГАЗОНОКОСАРКУ

Уважно прочитайте ці інструкції та виконуйте вказівки з техніки безпеки перед початком роботи із газонокосаркою, а також під час та після її використання. Дотримування цих простих інструкцій також допоможе зберегти Вашу газонокосарку у належному робочому стані. Ознайомтеся з елементами керування газонокосарки, перш ніж починати її використовувати; але насамперед переконайтеся, що Ви знаєте, як зупинити газонокосарку у надзвичайній ситуації. Збережіть ці інструкції з експлуатації та інші документи, що входять до комплекту постачання газонокосарки, оскільки вони можуть знадобитися Вам у майбутньому.

### 1. МАРКУВАННЯ НА ВИРОБІ



Перед початком роботи з газонокосаркою уважно прочитайте ці інструкції та збережіть їх для подальшого використання.



Тримайте дистанцію від сторонніх людей.



Стережіться гострого ріжучого полотна.



Від'єднуйте штепсельну вилку від інструмента перед проведенням технічного обслуговування або у разі пошкодження шнура живлення.



Тримайте гнучкий шнур живлення подалі від ріжучого полотна.

**ЗНАК БЕЗПЕКИ:** Указує на застереження або попередження та може використовуватися разом із іншими знаками або зображеннями.

### ПОВДІЙНА ІЗОЛЯЦІЯ



Ваша газонокосарка має подвійну ізоляцію.

Це означає, що всі зовнішні деталі ізолювані від електричного живлення. Це забезпечується завдяки додатковому ізоляційному шару між електричними і механічними деталями.

### 2. ЗАГАЛЬНІ ПРАВИЛА БЕЗПЕКИ

Мета наведених у цих інструкціях правил – привернути Вашу увагу до джерел можливої небезпеки. Знаки безпеки та їхні пояснення потребують Вашої пильної уваги та розуміння. Лише тільки наявність застережень про небезпеку не попереджає виникнення небезпечних ситуацій. Ці інструкції або будь-які застереження не замінюють собою належні заходи з техніки безпеки.



**УВАГА:** У разі ігнорування наведених застережень про небезпеку Ви або інші особи можете отримати серйозні травми. Завжди дотримуйтеся правил техніки безпеки, щоб знизити ризик виникнення пожежі, ураження електричним струмом або травмування. Збережіть ці інструкції та звертайтеся до них, якщо Вам необхідно уточнити правила безпечної експлуатації інструмента або надати іншим особам консультації щодо його використання.



**УВАГА:** Під час роботи цей інструмент утворює електромагнітне поле. За певних обставин це поле може впливати на активні або пасивні медичні імплантати. Щоб зменшити ризик отримання серйозних та смертельних тілесних ушкоджень, ми рекомендуємо особам із медичними імплантатами перед використанням цього інструмента звернутися до лікаря та виробника медичних імплантатів.



**УВАГА:** Під час роботи інструмент може натрапити на сторонні предмети, які можуть відлетіти та влучити Вам в очі, що призведе до серйозних травм очей. Тому перед початком роботи з інструментом завжди надягайте відкриті захисні окуляри або захисні окуляри із бічними щитками, або за потреби щиток, що закриває все обличчя. Ми рекомендуємо



використовувати захисну маску із широким кутом огляду поверх звичайних окулярів або захисні окуляри із бічними щитками.

- 1) Уважно прочитайте інструкцію з експлуатації. Ознайомтеся зі всіма елементами керування інструмента, а також із правилами його належного використання.
- 2) Ніколи не дозволяйте користуватися газонокосаркою дітям та особам, не ознайомленим із цими інструкціями. Місцеві норми можуть обмежувати віковий поріг оператора.
- 3) Ніколи не використовуйте газонокосарку, коли поблизу знаходяться інші люди, особливо діти або домашні тварини.
- 4) Пам'ятайте, що оператор або користувач несе відповідальність за нещасні випадки та створення небезпечних ситуацій, що можуть зашкодити іншим людям та їхньому майну.
- 5) Перед використанням газонокосарки завжди надягайте міцне взуття та довгі штани. Забороняється використовувати інструмент босоніж або у відкритому взутті.
- 6) Уважно обстежуйте робочу ділянку, на якій Ви збираєтеся використовувати інструмент, і видаляйте усі речі, які можуть бути ним відкинуті.
- 7) Перед використанням інструмента завжди візуально перевіряйте, щоб ріжуче полотно, болти і деталі ріжучої частини не були зношені або пошкоджені. Завжди замінійте разом зношені або пошкоджені ріжучі полотна і болти, щоб зберегти балансування.
- 8) Використовуйте газонокосарку тільки за умов денного світла або при яскравому штучному освітленні.
- 9) За можливості уникайте роботи у мокрій траві.
- 10) Завжди впевнено стійте на похилих поверхнях.
- 11) Ходіть, ніколи не біжіть.
- 12) Під час використання інструментів на колесах пересувайте їх поперек похилої поверхні, а не вгору та вниз.
- 13) Будьте надзвичайно уважними, коли Ви змінюєте напрямку руху інструмента на похилій поверхні.
- 14) Не використовуйте газонокосарку на дуже крутих схилах.
- 15) Будьте надзвичайно уважними, коли Ви розвертаєте газонокосарку або тягнете її на себе.
- 16) Зупиняйте ріжуче полотно, якщо потрібно нахилити газонокосарку та перенести через ділянку, де не росте газон, або з однієї робочої ділянки на іншу.
- 17) Ніколи не використовуйте газонокосарку із пошкодженими захисними кожухами або без інших захисних пристроїв, наприклад відбивачів та/або травозбірника.
- 18) Обережно запускайте або вмикайте двигун згідно з наведеними інструкціями, тримаючи ноги подалі від ріжучого полотна.
- 19) Не нахиляйте газонокосарку під час запуску двигуна, окрім тих випадків, коли для запуску двигуна її необхідно нахилити. Однак навіть у цьому випадку не нахиляйте інструмент більше, ніж це потрібно, підіймаючи лише ту його частину, яка знаходиться з протилежного від Вас боку.
- 20) Під час запуску двигуна не стійте навпроти жолоба викиду.

- 21) Не наближайте руки та ноги до частин, що обертаються. Завжди тримайтеся на відстані від отвору викиду.
- 22) Ніколи не піднімайте і не переносьте газонокосарку під час роботи двигуна.
- 23) Зупиняйте двигун та від'єднуйте штепсельну вилку:
  - перед усуненням блокування або видаленням заміщення я жолоба;
  - перед перевіркою та очищенням газонокосарки або проведенням робіт на ній;
  - після зіткнення зі сторонніми предметами.Огляньте газонокосарку на наявність пошкоджень, виконайте необхідний ремонт та тільки після цього запустіть інструмент та продовжуйте роботу;
  - якщо газонокосарка починає незвично вібрувати (слід негайно перевірити).
- 24) Зупиняйте газонокосарку:
  - коли Ви залишаєте газонокосарку.
- 25) Щоб гарантувати безпечну роботу інструмента, перевіряйте надійність затягування всіх гайок, болтів та гвинтів.
- 26) Регулярно перевіряйте травозбірник на наявність ознак зношення або пошкодження.
- 27) Щоб забезпечити безпечне використання інструмента, замінійте зношені або пошкоджені деталі.
- 28) Не використовуйте газонокосарку, якщо шнури пошкоджені або зношені.
- 29) Не підключайте пошкоджений шнур до джерела живлення та не торкайтеся пошкодженого шнура, не від'єднавши його від джерела живлення. Якщо шнур пошкоджений, це може призвести до контакту із частинами, що знаходяться під напругою.
- 30) Не торкайтеся ріжучого полотна, доки інструмент не буде від'єднаний від джерела живлення і ріжуче полотно не зупиниться повністю.
- 31) Тримайте подовжувальний шнур подалі від ріжучого полотна. Інакше ріжуче полотно може пошкодити шнур, і це може призвести до контакту із частинами, які знаходяться під напругою.
- 32) Від'єднуйте інструмент від джерела живлення (тобто знімайте штепсельну вилку з розетки):
  - коли залишаєте інструмент без нагляду;
  - перед усуненням блокування;
  - перед перевіркою та очищенням інструмента або проведенням робіт на ньому;
  - після зіткнення зі сторонніми предметами;
  - коли інструмент починає незвично вібрувати.
- 33) За дітьми слід забезпечити нагляд, щоб переконатися, що вони не грають з інструментом.
- 34) Цей інструмент не призначений для використання особами (у тому числі дітьми) з обмеженими фізичними, сенсорними або розумовими здібностями та особами з недостатнім досвідом і знаннями, доки за ними не буде встановлений нагляд або їм не буде надано інструкції стосовно використання цього інструмента особою, відповідальною за їхню безпеку.
- 35) Якщо шнур живлення пошкоджений, його слід замінити на спеціальний шнур або комплект

- приладдя, який можна придбати у виробника або його сервісного агента.
- 36) Згідно з інструкціями щодо безпечного використання інструмента його живлення повинне здійснюватися через пристрій захисного відключення (ПЗВ) зі струмом відключення не більше 30 мА.
- 37) Під час налаштування інструмента слідкуйте за тим, щоб пальці не потрапили між ріжучим полотном, що рухається, та нерухожими частинами інструмента.
- 38) Інструмент слід ставити на зберігання тільки після того, як він повністю охолонув.
- 39) Здійснюючи технічне обслуговування ріжучого полотна, пам'ятайте про те, що воно все ще може рухатись, незважаючи на те що джерело живлення відключене.
- 40) Задля безпечного використання інструмента замінійте зношені або пошкоджені деталі та

- використовуйте лише оригінальні запасні частини та приладдя.
- 41) Під час налаштування інструмента слідкуйте за тим, щоб пальці не потрапили між ріжучим полотном, що рухається, та нерухожими частинами інструмента.
- 42) Перед використанням перевіряйте шнур живлення і подовжувальний шнур на наявність ознак пошкодження або зношення. У разі пошкодження шнура під час роботи його слід негайно від'єднати від джерела живлення. НЕ ТОРКАЙТЕСЯ ШНУРА ДО ТОГО, ЯК ВІДКЛЮЧИТЕ ЙОГО ВІД ДЖЕРЕЛА ЖИВЛЕННЯ. Не використовуйте інструмент, якщо шнур пошкоджений або зношений.
- 43) У разі пошкодження шнура живлення його заміну радля запобігання небезпеці має проводити виробник, його сервісний агент або відповідним чином кваліфікована особа.

### 3. ОПИС ЧАСТИН (Мал. 1)

## 4. ТЕХНІЧНІ ДАНІ

Модель:	ELM3311	ELM3711
Номинальна напруга:	230 В~	230 В~
Номинальна частота:	50 Гц	50 Гц
Номинальна потужність:	1100 Вт	1300 Вт
Швидкість без навантаження:	2900 об/хв	2900 об/хв
Ширина скошування:	330 мм	370 мм
Гарантований рівень акустичної потужності:	96 дБ (А)	96 дБ (А)
Звуковий тиск (рівень акустичної потужності) у місці знаходження користувача:	75,4 дБ (А), К=3 дБ (А)	77,6 дБ (А), К=3 дБ (А)
Гарантований рівень вібрації:	0,672 м/с <sup>2</sup> , К=1,5 м/с <sup>2</sup>	0,917 м/с <sup>2</sup> , К=1,5 м/с <sup>2</sup>
Об'єм травозбірника:	27 л	35 л
Вага нетто:	13,1 кг	14,9 кг
Ступінь захисту від проникнення рідини:	IP24	IP24
Регулювання висоти:	20/40/55 мм, 3 рівні регулювання	20/40/55 мм, 3 рівні регулювання

## 5. ЗБИРАННЯ

### 5-1 ЗБИРАННЯ КОЛЕСА

Уставте осі кришок коліс у передні та задні колеса і завітвинтіть їх в отворах на опорах. (Мал. 2)



**УВАГА:** Усі колеса повинні бути розташовані на однаковій висоті.

### 5-2 ЗБИРАННЯ СКЛАДАНОЇ РУЧКИ

- A) Уставте нижні штанги ручки в отвори на піддоні, а потім за допомогою викрутки зафіксуйте їх, закрутивши гвинти, що входять до комплекту постачання. (Мал. 3, Мал. 4, Мал. 5)
- B) З'єднайте верхню і нижню ручки за допомогою фіксуючого важеля. (Мал. 6, Мал. 7)
- C) Розташуйте кабель над штангою ручки. Закріпіть кабель на рівні середини нижньої ручки за

допомогою затискача для кріплення кабелю та переконайтеся, що він зафіксований із зовнішнього боку ручки. Інакше кабель може бути затиснутий задньою кришкою під час її відкривання/закривання. (Мал. 8)

### 5-3 УСТАНОВЛЕННЯ ТРАВОЗБІРНИКА

- Щоб установити травозбірник: підніміть задню кришку та прикріпіть травозбірник до задньої частини газонокосарки. (Мал. 9, Мал. 10, Мал. 11)
- Щоб зняти травозбірник: візьміться за задню кришку та підніміть її, після чого зніміть травозбірник.

У верхній частині травозбірника знаходиться індикатор рівня, який відображає, наскільки заповнений травозбірник (Мал. 12А, Мал. 12В):

- Під час роботи з газонокосаркою значення, яке відображає індикатор, є високим, якщо травозбірник незаповнений. (Мал. 12В)

- А коли травозбірник заповнений, індикатор вказує на нуль. За такої індикації слід негайно зупинити роботу із газонокосаркою та спорожнити травозбірник; слід також переконатися, що він чистий та його сітчаста структура вентилюється. **(Мал. 12А)**

### ВАЖЛИВО

Якщо отвір індикатора є дуже забрудненим, індикатор не відображатиме належне значення. У цьому випадку негайно прочистіть отвір індикатора.

## 6. РЕГУЛЮВАННЯ ВИСОТИ СКОШУВАННЯ

Висота скошування налаштовується шляхом встановлення коліс у відповідні отвори.

Усі колеса повинні бути розташовані на однаковій висоті.

Висоту (відстань від ріжучого полотна до землі) можна встановити від 20 мм до 55 мм (3 положення).

### (Мал. 13)

Найнижче налаштування: 20 мм (положення (1));  
середнє налаштування: 40 мм (положення (2));  
найвище налаштування: 55 мм (положення (3)).



**УВАГА:** Від'єднуйте електричний шнур від джерела живлення.



**УВАГА:** Здійснювати регулювання висоти можна тільки тоді, коли ріжуче полотно зупинене.

## 7. ЗАХОДИ БЕЗПЕКИ

- Під час роботи відбивач або травозбірник повинні бути встановлені належним чином.
- Завжди зупиняйте двигун, перш ніж знімати травозбірник або налаштовувати висоту скошування.
- Перш ніж починати роботу із газонокосаркою, з газону слід прибрати усі сторонні предмети, які можуть бути відкинуті у разі контакту з інструментом. Під час роботи будьте уважними, оскільки на газоні можуть залишатися сторонні предмети, які Ви не помітили. **(Мал. 14)**
- Запускаючи двигун у нормальному режимі, ніколи не піднімайте задню частину газонокосарки. **(Мал. 15)**
- Під час роботи двигуна ніколи не торкайтеся руками нижньої поверхні піддону або задньої частини жолоба викиду. **(Мал. 16)**

## 8. ЗАПУСК

Перш ніж приєднати газонокосарку до джерела електроживлення, слід переконатися, що напруга у мережі становить 230 В ~ 50 Гц.

Зафіксуйте подовжувальний шнур на гаку для кабелю, та тільки потім запускайте газонокосарку. **(Мал. 17)**

При увімкненні газонокосарки загориться лампа індикатора. **(Мал. 18)**

Запускайте двигун наступним чином. **(Мал. 19)**

- Натисніть на кнопку безпеки (1).

- Одночасно натисніть та утримуйте ручку вимикача (2).

Коли двигун працює, просувайте газонокосарку по газону вручну.

Якщо Ви відпустите ручку вимикача, двигун зупиниться.



**ЗАСТЕРЕЖЕННЯ:** Ріжуче полотно починає обертатися, як тільки двигун запускається.



**УВАГА:** Ріжучі частини продовжують обертатися після вимкнення двигуна.

## 9. РІЖУЧЕ ПОЛОТНО

Ріжуче полотно зроблене зі штампованої сталі. Воно потребує регулярного заточування (за допомогою шліфувального кола).

Воно повинне завжди бути добре відбалансованим (невідбалансоване ріжуче полотно спричинятиме небезпечні вібрації). Щоб перевірити балансування, уставьте круглий стрижень у центральний отвір та підіпріть ріжуче полотно у горизонтальній площині.

**(Мал. 20)** Відбалансоване ріжуче полотно залишиться у горизонтальному положенні. Якщо ріжуче полотно не відбалансоване належним чином, його важкий край буде обертатися, рухаючись униз. Заточуйте більш важкий край ріжучого полотна, доки воно не буде відбалансоване належним чином. **(Мал. 21)** Щоб зняти ріжуче полотно (2), викрутіть гвинт, що утримує ріжуче полотно (3). **(Мал. 22, Мал. 23, Мал. 24)**

Перевірте стан вентилятора (1); якщо будь-які частини пошкоджені, замініть їх. **(Мал. 22)**

Під час повторного збирання слід переконатися, що ріжуча кромка розташована у напрямку обертання двигуна. Гвинт, що утримує ріжуче полотно (3), слід затягувати із моментом затягування 20–25 Нм.



**УВАГА:** Виконуючи технічне обслуговування, замінійте ріжуче полотно таким: тільки MAKITA 263001422 (для ELM3311) і MAKITA 263001414 (для ELM3711).

## 10. ПODOВЖУВАЛЬНІ ШНУРИ

Використовуйте подовжувальні шнури, призначені тільки для нормальної експлуатації поза приміщенням, із площею перерізу не менше 1,0 мм<sup>2</sup>. Перед початком роботи перевіряйте шнур живлення та подовжувальний шнур на наявність пошкоджень; у разі виявлення ознак пошкодження або старіння, шнур слід від'єднати. У разі пошкодження шнура під час роботи його слід негайно від'єднати від джерела живлення. НЕ ТОРКАЙТЕСЯ ШНУРА ДО ТОГО, ЯК ВІДКЛЮЧИТЕ ЙОГО ВІД ДЖЕРЕЛА ЖИВЛЕННЯ. Не використовуйте інструмент, якщо шнур пошкоджений або зношений. Тримайте подовжувальний шнур подалі від ріжучого полотна.



**УВАГА:** Завжди стежте за тим, щоб вентиляційні отвори не були заблоковані сміттям.

## 11. ТЕХНІЧНЕ ОБСЛУГОВУВАННЯ ТА ДОГЛЯД



**УВАГА:** Перш ніж виконувати будь-які роботи з технічного обслуговування або чищення, завжди від'єднуйте штепсельну вилку від мережі живлення! Не розпилюйте воду на інструмент. Потрапляння води може вивести з ладу блок живлення та електродвигун. Протріть інструмент ганчіркою, невеликою щіткою тощо.

**У таких випадках потрібний огляд спеціаліста, тому не здійснюйте ніяких налаштувань самостійно, а зверніться до авторизованого сервісного центру Makita:**

- якщо газонокосарка натрапила на сторонній предмет.
- якщо двигун раптово зупиняється.
- якщо ріжуче полотно погнулося (не намагайтеся виврівнати його!).
- якщо вал двигуна погнувся (не намагайтеся виврівнати його!).
- якщо при підключенні кабелю виникло коротке замикання.
- якщо пошкоджені зубчасті колеса.
- якщо V-подібний ремінь пошкоджено.

## 12. ВИЯВЛЕННЯ ТА УСУНЕННЯ НЕСПРАВНОСТЕЙ



**УВАГА:** Перш ніж проводити будь-які роботи з технічного обслуговування або чищення, завжди від'єднуйте штепсельну вилку та чекайте, доки ріжуче полотно повністю зупиниться.

Несправність	Усування несправності
Двигун не працює	Перевірте, чи надійно приєднаний кабель до мережі. Почніть роботу на ділянці із короткою травою або на ділянці, що вже була оброблена газонокосаркою. Прочистіть канал викиду/корпус – ріжуче полотно повинне обертатися вільно. Відрегулюйте висоту скошування.
Двигун втрачає потужність	Відрегулюйте висоту скошування. Прочистіть канал викиду/корпус. Заточіть/замініть ріжуче полотно → зверніться до авторизованого сервісного центру.
Травозбірник не заповнений	Відрегулюйте висоту скошування. Зачекайте, доки газон висохне. Заточіть/замініть ріжуче полотно → зверніться до авторизованого сервісного центру. Прочистіть решітку травозбірника. Прочистіть канал викиду/корпус.
Привод колеса не працює	Налаштуйте гнучкий кабель. Перевірте V-подібний ремінь/зубчасті колеса → зверніться до авторизованого сервісного центру. Перевірте колеса на наявність пошкоджень.



**ЗАСТЕРЕЖЕННЯ:** Несправності, які не вдається самотужки усунути за допомогою цих інструкцій, можливо, вдасться усунути у авторизованому сервісному центрі Makita.

## 13. ЕКОЛОГІЧНО БЕЗПЕЧНА УТИЛІЗАЦІЯ



Згідно з директивою ЄС 2002/96/ЄС стосовно електричного й електронного обладнання та її реалізацією у державному законодавстві усі електроприлади повинні збиратися окремо і перероблятися таким чином, щоб не завдавати шкоди

навколишньому середовищу. Альтернативна утилізація: Якщо власник електроприладу не повертає пристрій виробнику, він несе відповідальність за здачу пристрою до призначеного пункту збирання сміття, у якому пристрій підготують до переробки відповідно до державних законів і норм.

Це не поширюється на приладдя і пристрої без електричних або електронних компонентів.

### Тільки для країн Європи

**Декларація про відповідність стандартам ЄС**  
**Ми, компанія Makita, як відповідальний виробник заявляємо, що зазначене нижче обладнання Makita:**

позначення обладнання: Газонокосарка

№ моделі/тип: ELM3311, ELM3711

технічні характеристики: див. "4. ТЕХНІЧНІ ДАНІ" є серійним виробництвом та

**відповідає таким Європейським директивам:**

2004/108/EC, 2006/42/EC, 2000/14/EC & 2005/88/  
EC, 2006/95/EC

та виготовлено відповідно до таких стандартів або  
стандартизованих документів:

EN 60335, EN 62233, EN 55014, EN 61000

Технічна документація ведеться:

Makita International Europe Ltd.,  
Michigan Drive, Tongwell,  
Milton Keynes, MK15 8JD, Англія

Процедура оцінювання відповідності, якої вимагає  
Директива 2000/14/EC, відбулася відповідно до  
Додатку VI.

Уповноважений орган:

TÜV SÜD Industrie Service GmbH  
Westendstraße 199, D-80686 München  
Ідентифікаційний номер: 0036

Модель: ELM3311

Вимірний рівень акустичної потужності:

87,7 дБ (A)

Гарантований рівень акустичної потужності:

96 дБ (A)

Модель: ELM3711

Вимірний рівень акустичної потужності:

91,0 дБ (A)

Гарантований рівень акустичної потужності:

96 дБ (A)

30. 11. 2012



Томоязу Като  
Директор  
Makita Corporation  
3-11-8, Sumiyoshi-cho,  
Anjo, Aichi, 446-8502, JAPAN





**Makita Corporation**  
Anjo, Aichi, Japan

[www.makita.com](http://www.makita.com)

ELM3311-23L-1012

ALA