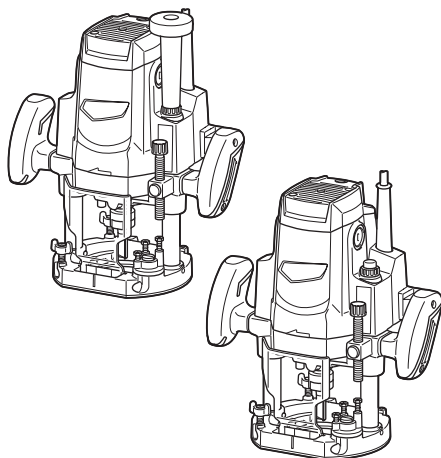




EN	Router	INSTRUCTION MANUAL	8
SV	Handöverfräs	BRUKSANVISNING	15
NO	Håndoverfres	BRUKSANVISNING	22
FI	Yläjyrsin	KÄYTTÖOHJE	29
DA	Overfræser	BRUGSANVISNING	36
LV	Frēzmašīna	LIETOŠANAS INSTRUKCIJA	43
LT	Freza	NAUDOJIMO INSTRUKCIJA	50
ET	Profiilrees	KASUTUSJUHEND	57
RU	Фрезер	РУКОВОДСТВО ПО ЭКСПЛУАТАЦИИ	64

M3602



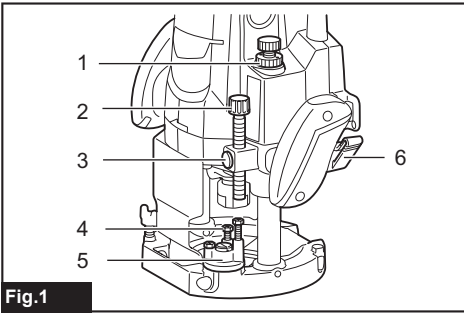


Fig.1

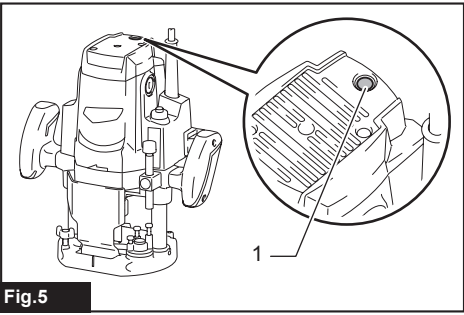


Fig.5

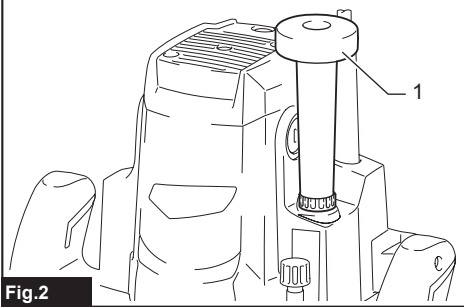


Fig.2

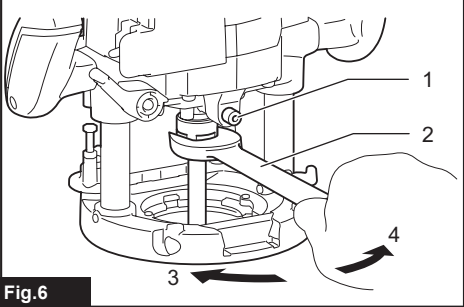


Fig.6

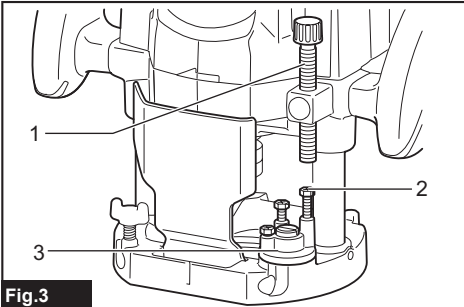


Fig.3

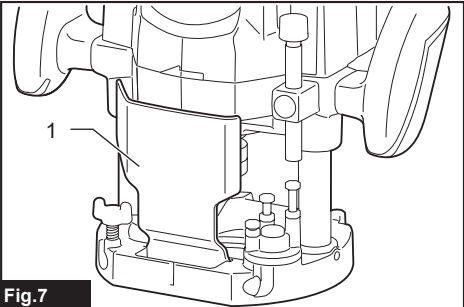


Fig.7

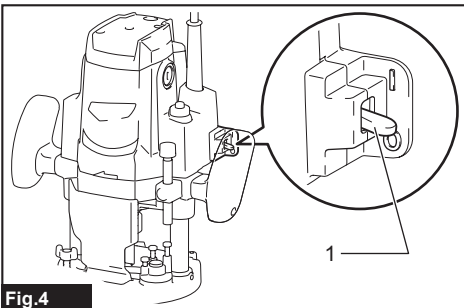


Fig.4

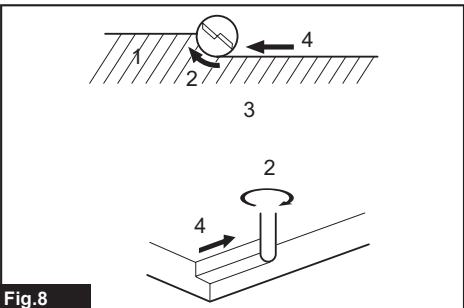


Fig.8

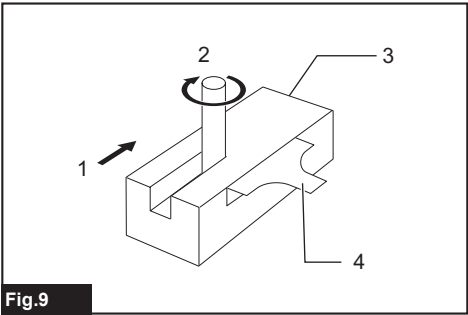


Fig.9

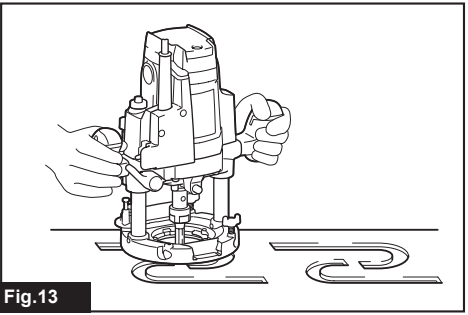


Fig.13

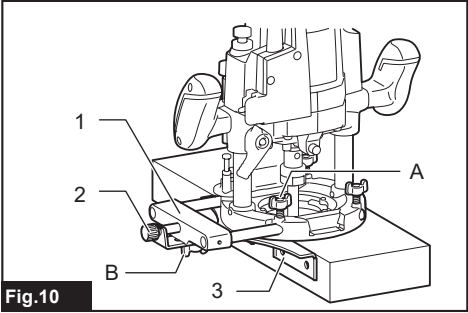


Fig.10

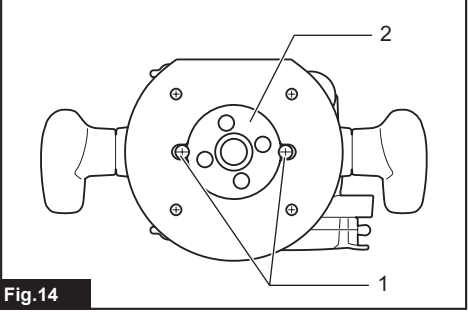


Fig.14

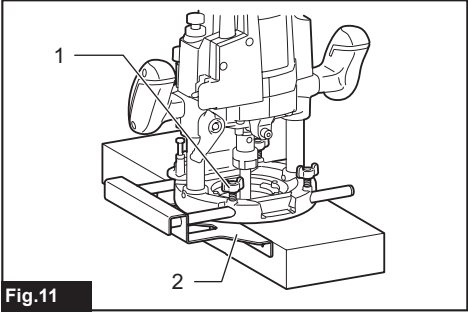


Fig.11

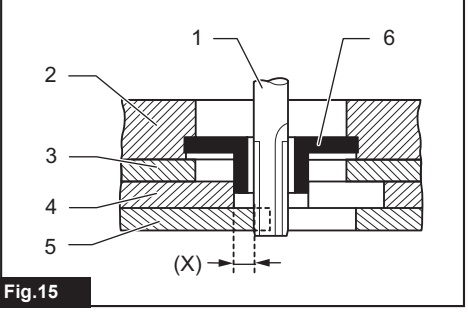


Fig.15

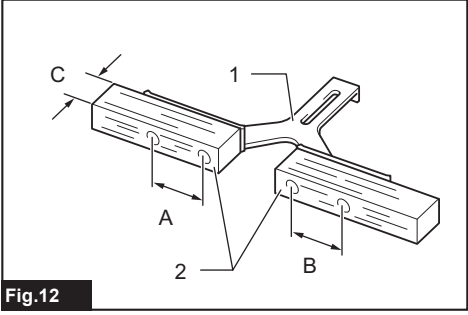


Fig.12

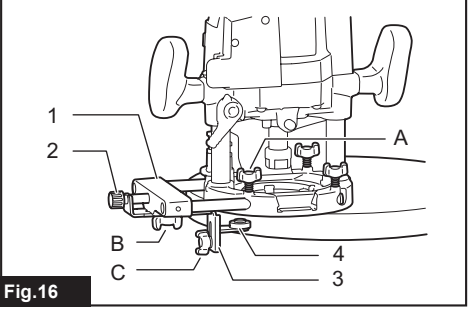
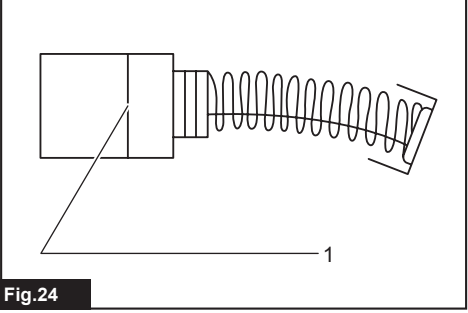
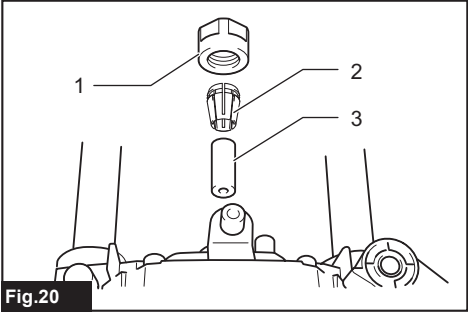
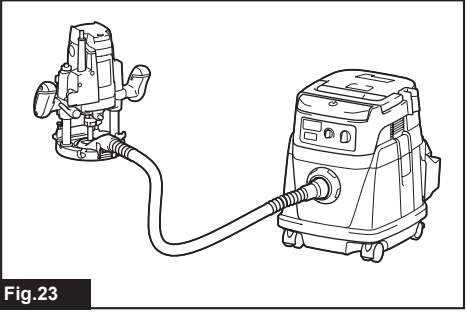
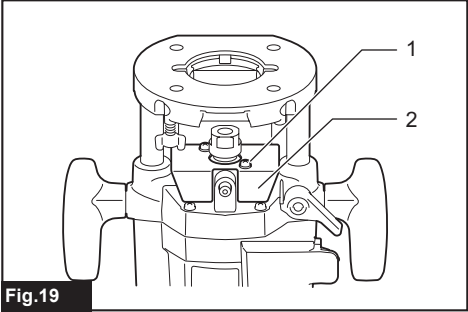
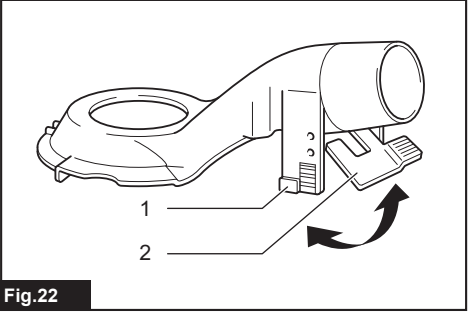
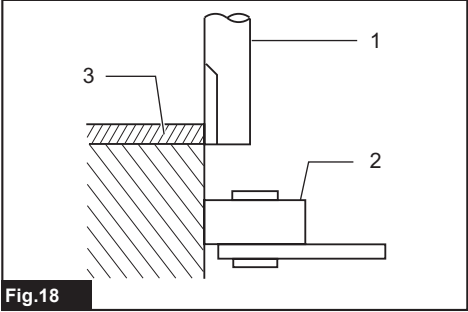
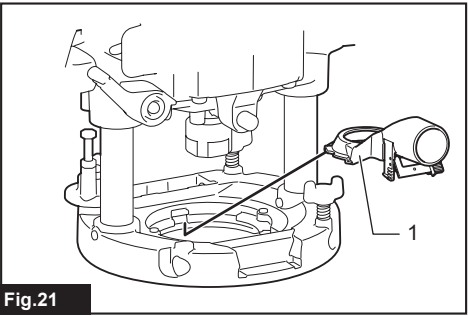
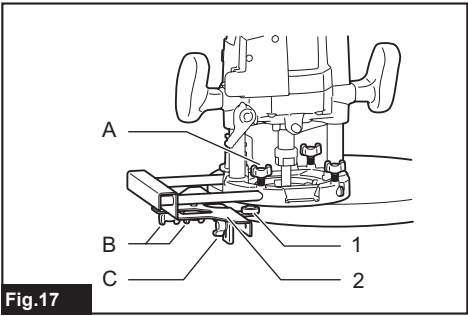


Fig.16



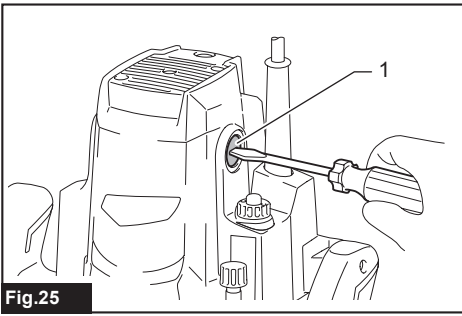


Fig.25

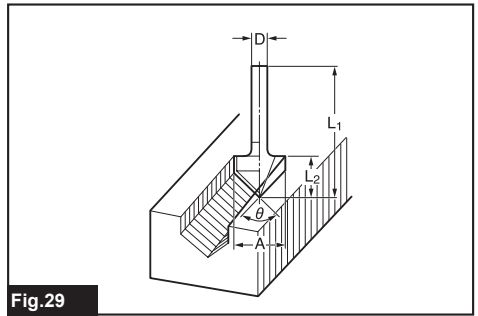


Fig.29

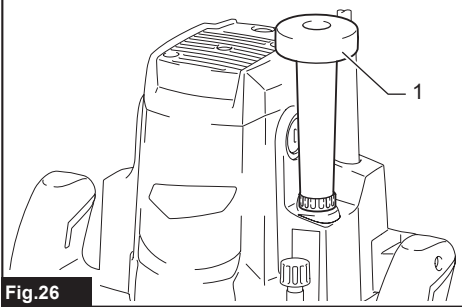


Fig.26

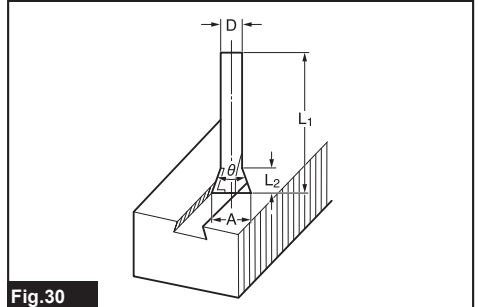


Fig.30

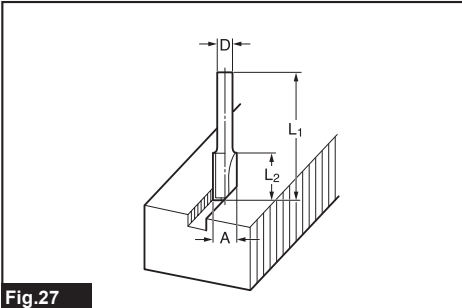


Fig.27

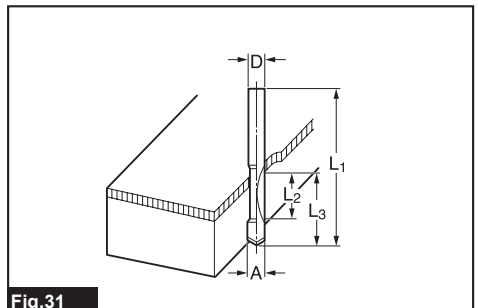


Fig.31

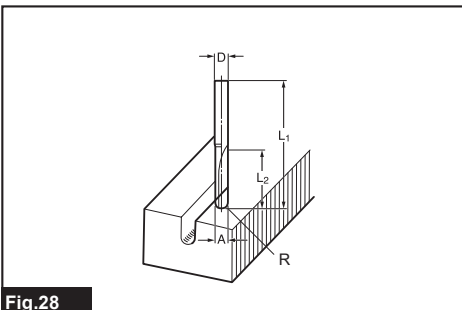


Fig.28

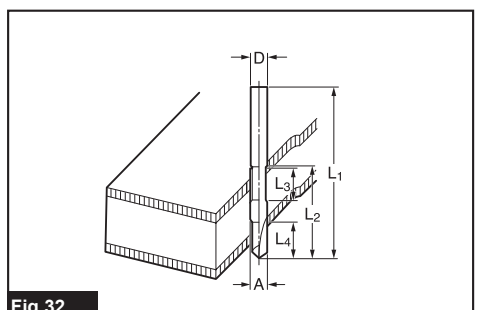
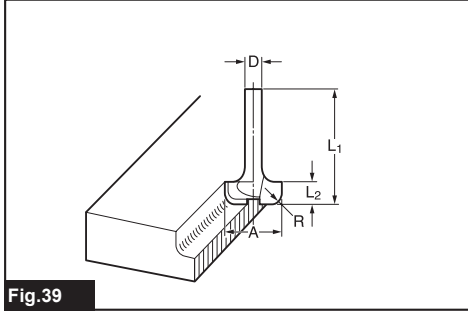
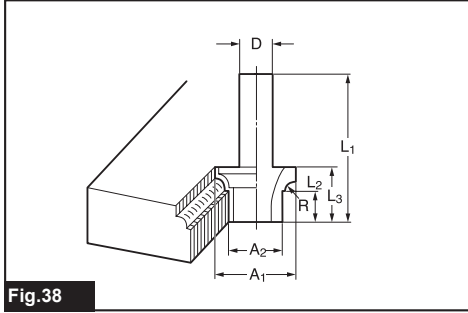
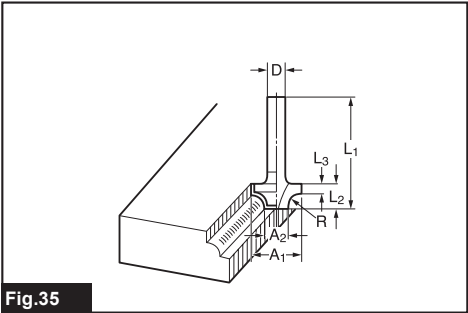
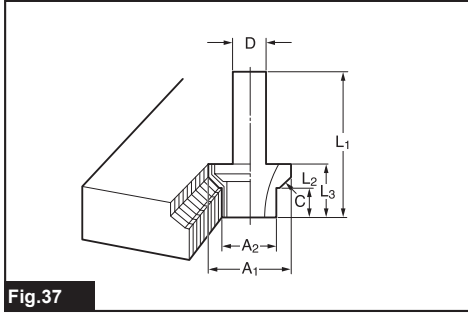
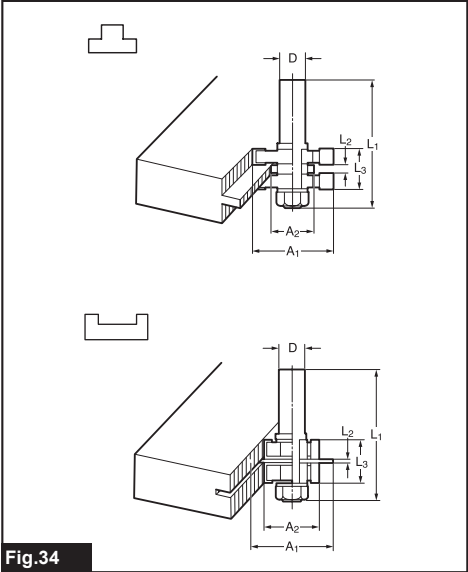
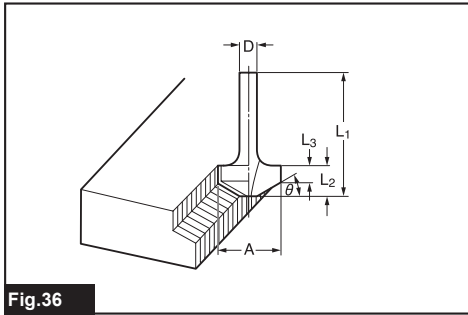
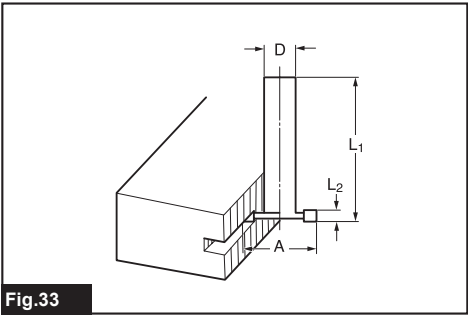


Fig.32



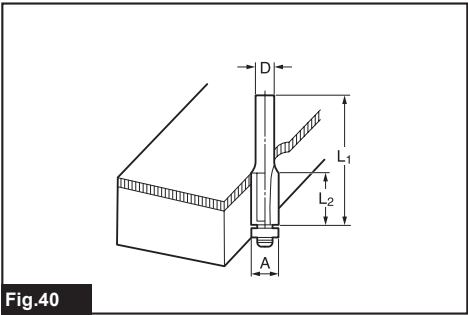


Fig.40

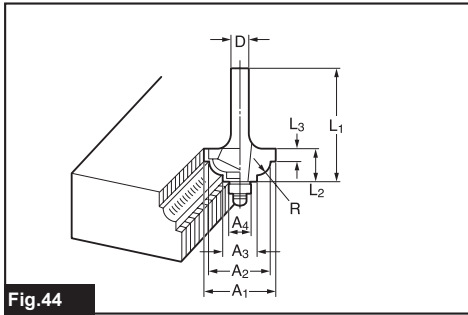


Fig.44

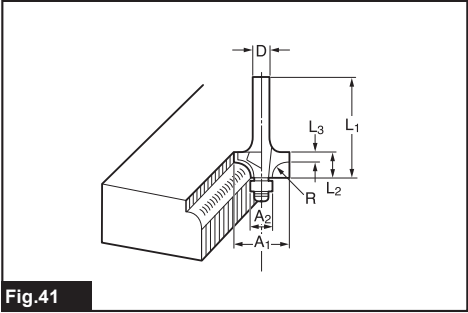


Fig.41

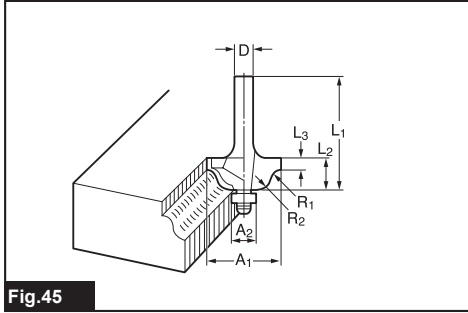


Fig.45

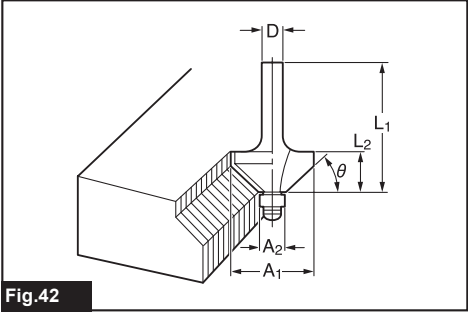


Fig.42

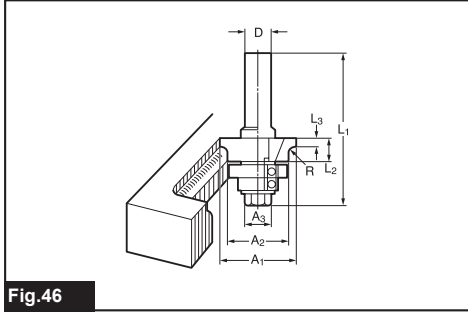


Fig.46

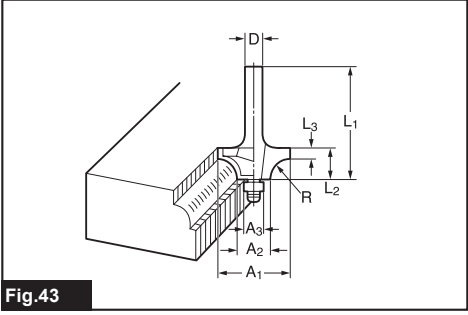


Fig.43

SPECIFICATIONS

Model:	M3602
Collet chuck capacity	12 mm or 1/2"
Plunge capacity	0 - 60 mm
No load speed	22,000 min ⁻¹
Overall height	300 mm
Net weight	5.7 kg
Safety class	Ⓜ/II

- Due to our continuing program of research and development, the specifications herein are subject to change without notice.
- Specifications may differ from country to country.
- Weight according to EPTA-Procedure 01/2014

Intended use

The tool is intended for flush trimming and profiling of wood, plastic and similar materials.

Power supply

The tool should be connected only to a power supply of the same voltage as indicated on the nameplate, and can only be operated on single-phase AC supply. They are double-insulated and can, therefore, also be used from sockets without earth wire.

Noise

The typical A-weighted noise level determined according to EN62841-2-17:

Sound pressure level (L_{pA}) : 84 dB(A)

Sound power level (L_{WA}) : 95 dB (A)

Uncertainty (K) : 3 dB(A)

NOTE: The declared noise emission value(s) has been measured in accordance with a standard test method and may be used for comparing one tool with another.

NOTE: The declared noise emission value(s) may also be used in a preliminary assessment of exposure.

⚠ WARNING: Wear ear protection.

⚠ WARNING: The noise emission during actual use of the power tool can differ from the declared value(s) depending on the ways in which the tool is used especially what kind of workpiece is processed.

⚠ WARNING: Be sure to identify safety measures to protect the operator that are based on an estimation of exposure in the actual conditions of use (taking account of all parts of the operating cycle such as the times when the tool is switched off and when it is running idle in addition to the trigger time).

Vibration

The vibration total value (tri-axial vector sum) determined according to EN62841-2-17:

Work mode: cutting grooves in MDF

Vibration emission (a_h) : 3.1 m/s²

Uncertainty (K) : 1.5 m/s²

NOTE: The declared vibration total value(s) has been measured in accordance with a standard test method and may be used for comparing one tool with another.

NOTE: The declared vibration total value(s) may also be used in a preliminary assessment of exposure.

⚠ WARNING: The vibration emission during actual use of the power tool can differ from the declared value(s) depending on the ways in which the tool is used especially what kind of workpiece is processed.

⚠ WARNING: Be sure to identify safety measures to protect the operator that are based on an estimation of exposure in the actual conditions of use (taking account of all parts of the operating cycle such as the times when the tool is switched off and when it is running idle in addition to the trigger time).

EC Declaration of Conformity

For European countries only

The EC declaration of conformity is included as Annex A to this instruction manual.

General power tool safety warnings

⚠ WARNING: Read all safety warnings, instructions, illustrations and specifications provided with this power tool. Failure to follow all instructions listed below may result in electric shock, fire and/or serious injury.

Save all warnings and instructions for future reference.

The term "power tool" in the warnings refers to your mains-operated (corded) power tool or battery-operated (cordless) power tool.

Router safety warnings

1. Hold the power tool by insulated gripping surfaces only, because the cutter may contact its own cord. Cutting a "live" wire may make exposed metal parts of the power tool "live" and could give the operator an electric shock.
2. Use clamps or another practical way to secure and support the workpiece to a stable platform. Holding the work by your hand or against the body leaves it unstable and may lead to loss of control.
3. The cutter bit shank must match the designed collet chuck.
4. Only use a bit that is rated at least equal to the maximum speed marked on the tool.
5. Wear hearing protection during extended period of operation.
6. Handle the router bits very carefully.
7. Check the router bit carefully for cracks or damage before operation. Replace cracked or damaged bit immediately.
8. Avoid cutting nails. Inspect for and remove all nails from the workpiece before operation.
9. Hold the tool firmly with both hands.
10. Keep hands away from rotating parts.
11. Make sure the router bit is not contacting the workpiece before the switch is turned on.
12. Before using the tool on an actual workpiece, let it run for a while. Watch for vibration or wobbling that could indicate improperly installed bit.
13. Be careful of the router bit rotating direction and the feed direction.
14. Do not leave the tool running. Operate the tool only when hand-held.
15. Always switch off and wait for the router bit to come to a complete stop before removing the tool from workpiece.
16. Do not touch the router bit immediately after operation; it may be extremely hot and could burn your skin.
17. Do not smear the tool base carelessly with thinner, gasoline, oil or the like. They may cause cracks in the tool base.
18. Some material contains chemicals which may be toxic. Take caution to prevent dust inhalation and skin contact. Follow material supplier safety data.
19. Always use the correct dust mask/respirator for the material and application you are working with.
20. Place the tool on stable area. Otherwise falling accident may occur and cause an injury.
21. Keep cord away from your foot or any objects. Otherwise an entangled cord may cause a falling accident and result in personal injury.

SAVE THESE INSTRUCTIONS.

⚠ WARNING: DO NOT let comfort or familiarity with product (gained from repeated use) replace strict adherence to safety rules for the subject product. MISUSE or failure to follow the safety rules stated in this instruction manual may cause serious personal injury.

FUNCTIONAL DESCRIPTION

⚠ CAUTION: Always be sure that the tool is switched off and unplugged before adjusting or checking function on the tool.

Adjusting the depth of cut

Place the tool on a flat surface. Loosen the lock lever and lower the tool body until the router bit just touches the flat surface. Tighten the lock lever to lock the tool body. While pressing the fast-feed button, move the stopper pole up or down until the desired depth of cut is obtained. Minute depth adjustments can be obtained by turning the stopper pole (1.5 mm (1/16") per turn).

► **Fig. 1:** 1. Nylon nut 2. Stopper pole 3. Fast-feed button 4. Adjusting hex bolt 5. Stopper block 6. Lock lever

⚠ CAUTION: The depth of cut should not be more than 20 mm (13/16") at a pass when cutting grooves. For extra-deep grooving operations, make two or three passes with progressively deeper router bit settings.

Nylon nut

For tool without the knob

The upper limit of the tool body can be adjusted by turning the nylon nut. Do not lower the nylon nut too low. The router bit will protrude dangerously.

For tool with the knob

By turning the knob, the upper limit of the tool body can be adjusted. When the tip of the router bit is retracted more than required in relation to the base plate surface, turn the knob to lower the upper limit.

► **Fig. 2:** 1. Knob

⚠ CAUTION: Since excessive cutting may cause overload of the motor or difficulty in controlling the tool, the depth of cut should not be more than 20 mm (13/16") at a pass when cutting grooves. When you wish to cut grooves more than 20 mm (13/16") deep, make several passes with progressively deeper router bit settings.

⚠ CAUTION: Do not lower the knob too low. The router bit will protrude dangerously.

Stopper block

As the stopper block has three adjusting hex bolts which raise or lower 0.8 mm per turn, you can easily obtain three different depths of cut without readjusting the stopper pole.

► **Fig. 3:** 1. Stopper pole 2. Adjusting hex bolt 3. Stopper block

Adjust the lowest adjusting hex bolt to obtain the deepest depth of cut, following the method of "Adjusting depth of cut". Adjust the two remaining adjusting hex bolts to obtain shallower depths of cut. The differences in height of these adjusting hex bolts are equal to the differences in depths of cut. To adjust the adjusting hex bolts, turn the adjusting hex bolts with a screwdriver or wrench. The stopper block is also convenient for making three passes with progressively deeper bit settings when cutting deep grooves.

Switch action

CAUTION: Before plugging in the tool, always check to see that the tool is switched off.

CAUTION: Make sure that the shaft lock is released before the switch is turned on.

To start the tool, move the switch lever to the I position. To stop the tool, move the switch lever to the O position.
► **Fig.4:** 1. Switch lever

CAUTION: Hold the tool firmly when turning off the tool, to overcome the reaction.

Electronic function

The tool is equipped with the electronic functions for easy operation.

Indication lamp

► **Fig.5:** 1. Indication lamp

The indication lamp lights up green when the tool is plugged. If the indication lamp does not light up, the mains cord or the controller may be defective. The indication lamp is lit but the tool does not start even if the tool is switched on, the carbon brushes may be worn out, or the controller, the motor or the ON/OFF switch may be defective.

Unintentional restart proof

The tool does not start with the switch lever is in the I position even when the tool is plugged. At this time, the indication lamp blinks in red and shows the unintentional restart proof device is on function. To cancel the unintentional restart proof, move the switch lever to the O position.

Soft start feature

Soft-start feature minimizes start-up shock, and makes the tool start smoothly.

ASSEMBLY

CAUTION: Always be sure that the tool is switched off and unplugged before carrying out any work on the tool.

Installing or removing the router bit

Insert the router bit all the way into the collet cone. Press the shaft lock to keep the shaft stationary and use the wrench to tighten the collet nut securely. When using router bits with smaller shank diameter, first insert the appropriate collet sleeve into the collet cone, then install the router bit.

To remove the router bit, follow the installation procedure in reverse.

► **Fig.6:** 1. Shaft lock 2. Wrench 3. Loosen 4. Tighten

CAUTION: Install the router bit securely. Always use only the wrench provided with the tool. A loose or overtightened router bit can be dangerous.

NOTICE: Do not tighten the collet nut without inserting a router bit or install small shank bits without using a collet sleeve. Either can lead to breakage of the collet cone.

OPERATION

CAUTION: Before operation, always make sure that the tool body automatically rises to the upper limit and the router bit does not protrude from the tool base when the lock lever is loosened.

CAUTION: Before operation, always make sure that the chip deflector is installed properly.

CAUTION: Always use both grips and firmly hold the tool by both grips during operations.

► **Fig.7:** 1. Chip deflector

Set the tool base on the workpiece to be cut without the router bit making any contact. Then turn the tool on and wait until the router bit attains full speed. Lower the tool body and move the tool forward over the workpiece surface, keeping the tool base flush and advancing smoothly until the cutting is complete.

When doing edge cutting, the workpiece surface should be on the left side of the router bit in the feed direction.

► **Fig.8:** 1. Workpiece 2. Bit revolving direction
3. View from the top of the tool 4. Feed direction

NOTE: Moving the tool forward too fast may cause a poor quality of cut, or damage to the router bit or motor. Moving the tool forward too slowly may burn and mar the cut. The proper feed rate will depend on the router bit size, the kind of workpiece and depth of cut.

Before beginning the cut on the actual workpiece, it is advisable to make a sample cut on a piece of scrap lumber. This will show exactly how the cut will look as well as enable you to check dimensions.

NOTE: When using the straight guide or the trimmer guide, be sure to install it on the right side in the feed direction. This will help to keep it flush with the side of the workpiece.

► **Fig.9:** 1. Feed direction 2. Bit revolving direction
3. Workpiece 4. Straight guide

Straight guide

The straight guide is effectively used for straight cuts when chamfering or grooving.

Straight guide (Type A)

Optional accessory

Install the straight guide on the guide holder with the thumb screw (B). Insert the guide holder into the holes in the tool base and tighten the thumb screw (A). To adjust the distance between the router bit and the straight guide, loosen the thumb screw (B) and turn the fine adjusting screw. At the desired distance, tighten the thumb screw (B) to secure the straight guide in place.

- **Fig.10:** 1. Guide holder 2. Fine adjusting screw
3. Straight guide

Straight guide (Type B)

Optional accessory

Insert the straight guide into the holes in the tool base and tighten the thumb screw. To adjust the distance between the router bit and the straight guide, loosen the thumb screw. At the desired distance, tighten the thumb screw to secure the straight guide in place.

- **Fig.11:** 1. Thumb screw 2. Straight guide

When cutting, move the tool with the straight guide flush with the side of the workpiece.

Wider straight guide of desired dimensions may be made by using the convenient holes in the guide to bolt on extra pieces of wood.

When using a large diameter router bit, attach pieces of wood to the straight guide which have a thickness of more than 15 mm (5/8") to prevent the router bit from striking the straight guide.

- **Fig.12:** 1. Straight guide 2. Wood

A=55 mm (2-3/16")

B=55 mm (2-3/16")

C=15 mm (5/8") or thicker

Templet guide

Optional accessory

The templet guide provides a sleeve through which the router bit passes, allowing use of the router with templet patterns.

- **Fig.13**

1. Loosen the screws on the base, insert the templet guide and then tighten the screws.

- **Fig.14:** 1. Screws 2. Templet guide

2. Secure the templet to the workpiece. Place the tool on the templet and move the tool with the templet guide sliding along the side of the templet.

- **Fig.15:** 1. Router bit 2. Base 3. Base plate
4. Templet 5. Workpiece 6. Templet guide

NOTE: The workpiece will be cut a slightly different size from the templet. Allow for the distance (X) between the router bit and the outside of the templet guide. The distance (X) can be calculated by using the following equation:

Distance (X) = (outside diameter of the templet guide - router bit diameter) / 2

Trimmer guide

Trimming, curved cuts in veneers for furniture and the like can be done easily with the trimmer guide. The guide roller rides the curve and assures a fine cut.

Trimmer guide (Type A)

Optional accessory

Install the trimmer guide on the guide holder with the thumb screw (B). Insert the guide holder into the holes in the tool base and tighten the thumb screw (A). To adjust the distance between the router bit and the trimmer guide, loosen the thumb screw (B) and turn the fine adjusting screw. When adjusting the guide roller up or down, loosen the thumb screw (C). After adjusting, tighten all the thumb screws securely.

- **Fig.16:** 1. Guide holder 2. Fine adjusting screw
3. Trimmer guide 4. Guide roller

Trimmer guide (Type B)

Optional accessory

Install the trimmer guide onto the straight guide using the thumb screws (B). Insert the straight guide into the holes in the tool base and tighten the thumb screw (A). To adjust the distance between the router bit and the trimmer guide, loosen the thumb screws (B). When adjusting the guide roller up or down, loosen the thumb screw (C). After adjusting, tighten all the thumb screws securely.

- **Fig.17:** 1. Guide roller 2. Trimmer guide

When cutting, move the tool with the guide roller riding the side of the workpiece.

- **Fig.18:** 1. Router bit 2. Guide roller 3. Workpiece

Dust cover (For tool with the knob)

Optional accessory

Dust cover prevents sawdust from being drawn into the tool in the inverted position.

Install the dust cover as illustrated when using the tool with a router stand available in the market.

Remove it when using the tool in the normal position.

- **Fig.19:** 1. Screw 2. Dust cover

Spacer (For tool with the knob)

Optional accessory

The spacer prevents the router bit from dropping into the chuck when replacing the router bit in the inverted position.

Insert the spacer as illustrated when using the tool with a router stand available in the market.

- **Fig.20:** 1. Collet nut 2. Collet cone 3. Spacer

Dust extraction

Optional accessory

Use the dust nozzle for dust extraction.

► **Fig.21:** 1. Dust nozzle

Installing the dust nozzle

► **Fig.22:** 1. Support 2. Lock lever

1. Raise the lock lever of the dust nozzle.
2. Place the dust nozzle onto the tool base so that its top will be caught in the hook on the tool base.
3. Insert the supports on the dust nozzle into the hooks on the front of the tool base.
4. Push down the lock lever onto the tool base.
5. Connect a vacuum cleaner to the dust nozzle.

► **Fig.23**

Removing the dust nozzle

1. Raise the lock lever.
2. Pull the dust nozzle out of the tool base while holding the supports between thumb and finger.

MAINTENANCE

CAUTION: Always be sure that the tool is switched off and unplugged before attempting to perform inspection or maintenance.

NOTICE: Never use gasoline, benzine, thinner, alcohol or the like. Discoloration, deformation or cracks may result.

Replacing carbon brushes

► **Fig.24:** 1. Limit mark

Check the carbon brushes regularly. Replace them when they wear down to the limit mark. Keep the carbon brushes clean and free to slip in the holders. Both carbon brushes should be replaced at the same time. Use only identical carbon brushes.

1. Use a screwdriver to remove the brush holder caps.
2. Take out the worn carbon brushes, insert the new ones and secure the brush holder caps.

► **Fig.25:** 1. Brush holder cap

For tool with the knob

CAUTION: Be sure to re-install the knob after inserting new carbon brush.

Release the lock lever and remove the knob by turning it counterclockwise.

► **Fig.26:** 1. Knob

NOTE: The compression spring will come out of the knob, so be careful not to lose the compression spring.

To maintain product SAFETY and RELIABILITY, repairs, any other maintenance or adjustment should be performed by Makita Authorized or Factory Service Centers, always using Makita replacement parts.

OPTIONAL ACCESSORIES

Router bits

Straight bit

► **Fig.27**

Unit:mm

D	A	L1	L2
6	20	50	15
1/4"			
12	12	60	30
1/2"			
12	10	60	25
1/2"			
8	8	60	25
6	8	50	18
1/4"			
6	6	50	18
1/4"			

“U”Grooving bit

► **Fig.28**

Unit:mm

D	A	L1	L2	R
6	6	50	18	3

“V”Grooving bit

► **Fig.29**

Unit:mm

D	A	L1	L2	θ
1/4"	20	50	15	90°

Dovetail bit

► Fig.30

Unit:mm

D	A	L1	L2	θ
8	14.5	55	10	35°
3/8"				
8	14.5	55	14.5	23°
3/8"				
8	12	50	9	30°
3/8"				

Drill point flush trimming bit

► Fig.31

Unit:mm

D	A	L1	L2	L3
12	12	60	20	35
8	8	60	20	35
6	6	60	18	28

Drill point double flush trimming bit

► Fig.32

Unit:mm

D	A	L1	L2	L3	L4
6	6	70	40	12	14

Slotting cutter

► Fig.33

Unit:mm

D	A	L1	L2
12	30	55	6
1/2"			
12	30	55	3
1/2"			

Board-jointing bit

► Fig.34

Unit:mm

D	A1	A2	L1	L2	L3
12	38	27	61	4	20

Corner rounding bit

► Fig.35

Unit:mm

D	A1	A2	L1	L2	L3	R
6	25	9	48	13	5	8
6	20	8	45	10	4	4

Chamfering bit

► Fig.36

Unit:mm

D	A	L1	L2	L3	θ
6	23	46	11	6	30°
6	20	50	13	5	45°
6	20	49	14	2	60°

► Fig.37

Unit:mm

D	A1	A2	L1	L2	L3	C
12	30	20	55	12	20	4
1/2"						

Beading bit

► Fig.38

Unit:mm

D	A1	A2	L1	L2	L3	R
12	30	20	55	12	20	4
1/2"						

Cove beading bit

► Fig.39

Unit:mm

D	A	L1	L2	R
6	20	43	8	4
6	25	48	13	8

Ball bearing flush trimming bit

► Fig.40

Unit:mm

D	A	L1	L2
6	10	50	20
1/4"			

Ball bearing corner rounding bit

► Fig.41

Unit:mm

D	A1	A2	L1	L2	L3	R
6	15	8	37	7	3.5	3
6	21	8	40	10	3.5	6
1/4"	21	8	40	10	3.5	6

Ball bearing chamfering bit

► Fig.42

Unit:mm

D	A1	A2	L1	L2	θ
6	26	8	42	12	45°
1/4"					60°
6	20	8	41	11	60°

Ball bearing beading bit

► Fig.43

Unit:mm

D	A1	A2	A3	L1	L2	L3	R
6	20	12	8	40	10	5.5	4
6	26	12	8	42	12	4.5	7

Ball bearing cove beading bit

► Fig.44

Unit:mm

D	A1	A2	A3	A4	L1	L2	L3	R
6	20	18	12	8	40	10	5.5	3
6	26	22	12	8	42	12	5	5

Ball bearing roman ogee bit

► Fig.45

Unit:mm

D	A1	A2	L1	L2	L3	R1	R2
6	20	8	40	10	4.5	2.5	4.5
6	26	8	42	12	4.5	3	6

Double ball bearing round corner bit

► Fig.46

Unit:mm

D	A1	A2	A3	L1	L2	L3	R
12	35	27	19	70	11	3.5	3
1/2"							3

SPECIFIKATIONER

Modell:	M3602
Spännhylschuckens kapacitet	12 mm eller 1/2"
Dykkapacitet	0 - 60 mm
Hastighet utan belastning	22 000 min ⁻¹
Total höjd	300 mm
Nettovikt	5,7 kg
Säkerhetsklass	Ⓜ/II

- På grund av vårt pågående program för forskning och utveckling kan dessa specifikationer ändras utan föregående meddelande.
- Specifikationer kan variera mellan olika länder.
- Vikt enligt EPTA-procedur 01/2014

Avsedd användning

Verktyget är avsett för trimning och profilering av trä, plast och liknande material.

Strömförsörjning

Maskinen får endast anslutas till elnät med samma spänning som anges på typplåten och med enfasis växelström. De är dubbelisolerade och får därför också anslutas i ojordade vägguttag.

Buller

Den normala bullernivån för A-belastning är bestämd enligt EN62841-2-17:

Ljudtrycksnivå (L_{PA}) : 84 dB (A)

Ljudeffektnivå (L_{WA}) : 95 dB (A)

Mättolerans (K): 3 dB (A)

OBS: Det deklarerade bullervärdet har uppmätts i enlighet med standardtestmetoden och kan användas för jämförandet av en maskin med en annan.

OBS: Det deklarerade bulleremissionsvärdet kan också användas i en preliminär bedömning av exponering för vibration.

⚠ VARNING: Använd hörselskydd.

⚠ VARNING: Bulleremissionen under faktisk användning av maskinen kan skilja sig från det deklarerade värdet, beroende på hur maskinen används och särskilt vilken typ av arbetsstycke som behandlas.

⚠ VARNING: Var noga med att identifiera säkerhetsåtgärder för att skydda användaren, vilka är grundade på en uppskattning av graden av exponering för vibrationer under de faktiska användningsförhållandena, (ta, förutom avtryckartiden, med alla delar av användarcykeln i beräkningen, som till exempel tiden då maskinen är avstängd och när den går på tomgång).

Vibration

Det totala vibrationsvärdet (treaxlad vektorsumma) bestämt enligt EN62841-2-17:

Arbetsläge: spårfräsning i MDF

Vibrationsemission (a_h) : 3,1 m/s²

Mättolerans (K): 1,5 m/s²

OBS: Det deklarerade totala vibrationsvärdet har uppmätts i enlighet med standardtestmetoden och kan användas för jämförandet av en maskin med en annan.

OBS: Det deklarerade totala vibrationsvärdet kan också användas i en preliminär bedömning av exponering för vibration.

⚠ VARNING: Vibrationsemissionen under faktisk användning av maskinen kan skilja sig från det deklarerade värdet, beroende på hur maskinen används och särskilt vilken typ av arbetsstycke som behandlas.

⚠ VARNING: Var noga med att identifiera säkerhetsåtgärder för att skydda användaren, vilka är grundade på en uppskattning av graden av exponering för vibrationer under de faktiska användningsförhållandena, (ta, förutom avtryckartiden, med alla delar av användarcykeln i beräkningen, som till exempel tiden då maskinen är avstängd och när den går på tomgång).

EG-försäkran om överensstämmelse

Gäller endast inom EU

EG-försäkran om överensstämmelse inkluderas som bilaga A till denna bruksanvisning.

Allmänna säkerhetsvarningar för maskiner

⚠ VARNING: Läs alla säkerhetsvarningar, anvisningar, illustrationer och specifikationer som medföljer det här maskinen. Underlåtenhet att följa instruktionerna kan leda till elstöt, brand och/eller allvarliga personskador.

Spara alla varningar och instruktioner för framtida referens.

Termen "maskin" som anges i varningarna hänvisar till din eldrivna maskin (sladdansluten) eller batteridriven maskin (sladdlös).

Säkerhetsvarningar för fräs

1. Håll endast tag i verktygets isolerade handtag då hyvelverktyget kan komma i kontakt med sin egen nätsladd. Om verktyget kommer i kontakt med en strömförande ledning blir dess metalldelar strömförande och kan ge operatören en elektrisk stöt.
2. Använd tvingar eller liknande för att säkra och stödja arbetsstycket på ett stabilt underlag. Att hålla arbetsstycket i händerna eller mot kroppen ger inte tillräckligt stöd och du kan förlora kontrollen.
3. Skärverktyget måste stämma med den angivna spännhylschucken.
4. Använd endast ett verktyg som är som minst lika med den maxhastighet som markeras på verktyget.
5. Använd hörselskydd vid längre tids användning.
6. Hantera fräsverktygen försiktigt.
7. Kontrollera före användning att fräsverktyget inte är sprucket eller skadat. Byt omedelbart ut ett skadat eller sprucket fräsverktyg.
8. Undvik att säga i spik. Kontrollera arbetsstycket och ta bort alla spikar före arbetet.
9. Håll maskinen stadigt med båda händerna.
10. Håll händerna på avstånd från roterande delar.
11. Se till att fräsverktyget inte kommer i kontakt med arbetsstycket innan strömbytaren slagits på.
12. Låt verktyget vara igång en stund innan det används på arbetsstycket. Kontrollera att det inte förekommer vibrationer eller kast som indikerar att fräsverktyget monterats felaktigt.
13. Kontrollera fräsverktygets rotations- och matningsriktning.
14. Lämna inte maskinen igång. Använd endast maskinen när du håller den i händerna.
15. Stäng av maskinen och vänta tills fräsverktyget stannat helt innan verktyget avlägsnas från arbetsstycket.
16. Rör inte vid fräsverktyget eller arbetsstycket omedelbart efter arbetet. De kan vara extremt varma och orsaka brännskador.
17. Lakttag försiktighet med tinner, bensen, olja eller liknande på verktygsfästet. Överdriven användning kan orsaka sprickor i verktygsfästet.
18. Vissa material kan innehålla giftiga kemikalier. Se till att du inte andas in damm eller får det på huden. Följ anvisningarna i leverantörens materialsäkerhetsblad.
19. Använd alltid andningsskydd eller skyddsmask anpassat för det material du arbetar med när du säger.
20. Placera verktyget på en stabil yta. I annat fall kan fallolyckor inträffa och orsaka skada.
21. Håll sladden borta från fötterna och från föremål. Annars kan sladden trassla sig med fallolycka och personskada som följd.

SPARA DESSA ANVISNINGAR.

⚠ VARNING: GLÖM INTE att också fortsättningsvis strikt följa säkerhetsanvisningarna för maskinen även efter att du blivit van att använda den. Vid **FELAKTIG HANTERING** av maskinen eller om inte säkerhetsanvisningarna i denna bruksanvisning följs kan följden bli allvarliga personskador.

FUNKTIONSBESKRIVNING

⚠ FÖRSIKTIGT: Se alltid till att maskinen är avstängd och nätsladden utdragen innan du justerar eller funktionskontrollerar maskinen.

Inställning av fräsdjup

Placera verktyget på ett plant underlag. Lossa säkerhets-spärren och sänk verktygshuset tills fräsverktyget precis vidrör det plana underlaget. Dra åt säkerhetsspärren för att låsa verktygshuset. Flytta stoppstängen uppåt eller nedåt medan snabbmatningsknappen hålls inne tills önskat fräsdjup erhålls. Små djupjusteringar kan göras genom att vrida stoppstängen (1,5 mm (1/16") per varv).

► **Fig.1:** 1. Nylonmutter 2. Stoppstång
3. Snabbmatningsknapp 4. Justering av insexbulten 5. Stoppkloss 6. Säkerhetsspärr

⚠ FÖRSIKTIGT: Fräsdjupen bör inte vara mer än 20 mm (13/16) per gång vid spårfräsning. För att få extra djupa spår kan det krävas två eller tre fräsningar med gradvis ökande inställning av fräsdjupet.

Nylonmutter

För maskiner utan ratt

Genom att vrida nylonmuttern kan den övre gränsen på maskinhuset justeras. Sänk inte ner nylonmuttern för långt. Sänks den ner för långt kan fräsverktyget sticka ut på ett farligt sätt.

För maskiner med ratt

Genom att vrida på ratten kan den övre gränsen på verktygshuset justeras. När fräsverktygets ände är indragen mer än vad som krävs, i förhållande till bottenplattans yta, kan du vrida på ratten för att sänka den övre gränsen.

► **Fig.2:** 1. Ratt

⚠ FÖRSIKTIGT: Eftersom en alltför kraftig fräsning kan orsaka överbelastning av motorn eller svårigheter att kontrollera maskinen, bör fräsdjupet inte vara mer än 20 mm (13/16) per gång vid spårfräsning. Gör flera fräsningar med en gradvis ökande inställning av fräsdjupet, när du vill fräsa spår som är djupare än 20 mm (13/16).

⚠ FÖRSIKTIGT: Sänk inte ner ratten för långt. Sänks den ner för långt kan fräsverktyget sticka ut på ett farligt sätt.

Stoppkloss

Eftersom stoppklossen har tre justerande insexbultar som höjer eller sänker den 0,8 mm per varv, går det lätt att få tre olika fräsdjup utan att justera om stoppstången.

► **Fig.3:** 1. Stoppstång 2. Justerande insexbult 3. Stoppkloss

Justera den lägsta justerande insexbulten för att erhålla det djupaste fräsdjupet, genom att följa metoden "Justera fräsdjupet".

Justera de två återstående justerande insexbultarna för att få ett grundare fräsdjup. Skillnaderna i höjd på dessa justerande insexbultar är samma som skillnaderna i fräsdjup.

Vrid de justerande insexbultarna med en skruvmejsel eller skiftnyckel för att ställa in dem. Stoppklossen är också praktisk när man gör tre fräsningar med ett gradvis ökande fräsdjup vid spårfräsning.

Avtryckarens funktion

⚠FÖRSIKTIGT: Se alltid till att maskinen är avstängd innan du ansluter den till elnätet.

⚠FÖRSIKTIGT: Se till att spindellåset är lossat innan strömbrytaren slås på.

Sätt strömbrytarens reglage i läget I för att starta maskinen.

Sätt strömbrytarens reglage i läget O för att stanna maskinen.

► **Fig.4:** 1. Säkerhetsgrepp

⚠FÖRSIKTIGT: Håll i maskinen stadigt när du stänger av den för att ha kontroll över dess reaktion.

Elektronisk funktion

Maskinen är utrustad med elektroniska funktioner för enkel användning.

Indikatorlampa

► **Fig.5:** 1. Indikatorlampa

Den gröna indikatorlampan lyser när verktyget är inkopplat. Om indikatorlampan inte tänds kan nätsladden eller styrningen vara defekt. Om indikatorlampan lyser och verktyget inte startar fastän det är påslaget, kan kolborstarna vara utslitna, eller styrningen, motorn eller strömbrytaren defekta.

Spärr mot oavsiktlig omstart

Verktyget startar inte när avtryckaren är i läget I även om det är anslutet till elnätet.

Om detta inträffar blinkar indikatorlampan rött för att visa att enheten för skydd mot oavsiktlig start är i funktion.

Inaktivera skyddet mot oavsiktlig start genom att flytta skjutreglaget till läget O.

Mjukstartsfunktion

Mjukstartsfunktionen minimerar ryck vid uppstarten och gör att verktyget får en mjuk start.

MONTERING

⚠FÖRSIKTIGT: Se alltid till att maskinen är avstängd och nätsladden urdragen innan maskinen repareras.

Montering eller demontering av fräsverktyg

För in fräsverktyget hela vägen in i spännhylsan.

Tryck på spindellåset för att hålla spindeln stilla och använd skiftnyckeln för att dra åt hylsmuttern ordentligt. Montera först en lämplig spännarm i spännhylsan, om fräsverktyg med mindre skaft används, och montera sedan fräsverktyget.

Följ monteringsförfarandet i omvänd ordning för att ta ur fräsverktyget.

► **Fig.6:** 1. Spindellås 2. Nyckel 3. Lossa 4. Dra åt

⚠FÖRSIKTIGT: Montera fräsverktyget ordentligt. Använd endast den nyckel som levererats med maskinen. Ett löst eller för hårt åtdraget fräsverktyg kan vara farligt.

OBSERVERA: Fäst inte hylsmuttern utan att ha monterat ett fräsverktyg eller monterat fräsverktyg med litet skaft utan att använda en spännarm. Endera saken kan leda till att spännhylsan går sönder.

ANVÄNDNING

⚠FÖRSIKTIGT: Se alltid till före användningen att maskinhuset automatiskt lyfts upp till den övre gränsnivån och att fräsverktyget inte sticker ut utanför bottenplattan när säkerhetsspärren lossas.

⚠FÖRSIKTIGT: Se alltid till före användning att spånavvisaren är korrekt monterad.

⚠FÖRSIKTIGT: Använd alltid båda handtagen och håll i dem under arbetet för att hålla verktyget stadigt.

► **Fig.7:** 1. Spånavvisare

Placera bottenplattan på arbetsstycket utan att fräsverktyget kommer i kontakt med arbetsstycket. Starta maskinen och vänta tills fräsverktyget uppnått full hastighet. Sänk maskinhuset och för maskinen långsamt framåt över arbetsstyckets yta, medan du håller bottenplattan plant och fortsätter varsamt tills fräsningen är klar.

Vid kantfräsning skall arbetsstyckets yta befinna sig på vänstra sidan av fräsverktyget i matningsriktningen.

► **Fig.8:** 1. Arbetsstycke 2. Fräsverktygets rotationsriktning 3. Vy från toppen av verktyget 4. Matningsriktning

OBS: Om maskinen matas framåt allför snabbt kan den frästa ytan få en dålig finish, eller så kan fräsverktyget eller motorn skadas. Om maskinen matas framåt alltför långsamt kan arbetsstycket bli bränt och förstört. Lämplig matningshastighet beror på fräsverktygets dimension, typ av arbetsmaterial och fräsdjup.

Det är lämpligt att utföra en provfräsning på en träbit innan fräsningen på det faktiska arbetsstycket påbörjas. Därmed kan man exakt se hur resultatet av fräsningen ser ut och även kontrollera dimensionerna.

OBS: När parallellanslag eller rullanslag används bör du se till att montera det på den högra sidan i matningsriktningen. Det gör det lättare att hålla anslaget plant mot arbetsstyckets sida.

- **Fig.9:** 1. Matningsriktning 2. Fräsverktygets rotationsriktning 3. Arbetsstycke 4. Parallellanslag

Parallellanslag

Parallellanslaget är effektivt att använda för raka arbetslinjer vid avfasning eller spårfräsning.

Parallellanslag (typ A)

Valfria tillbehör

Installera parallellanslaget på anslagshållaren med vingskruven (B). Sätt i anslagshållaren i hålen på bottenplattan och dra åt vingskruven (A). För att ställa in avståndet mellan fräsverktyget och parallellanslaget lossar du vingskruven (B) och vrider på fininställningskruven. Vid önskat avstånd drar du åt vingskruven (B) för att säkra parallellanslaget på plats.

- **Fig.10:** 1. Anslagshållare 2. Justering av fininställningskruven 3. Parallellanslag

Parallellanslag (typ B)

Valfria tillbehör

Sätt i parallellanslaget i hålen på maskinens bottenplatta och dra åt vingskruven. Lossa vingskruven för att justera avståndet mellan fräsverktyget och parallellanslaget. Vid önskat avstånd drar du åt vingskruven för att säkra parallellanslaget på plats.

- **Fig.11:** 1. Vingskruv 2. Parallellanslag

För maskinen med parallellanslaget plant mot arbetsstyckets sida under fräsningen.

Ett bredare parallellanslag, av önskad storlek, kan tillverkas genom att använda hålen i anslaget för att skruva fast ytterligare träbitar.

När ett fräsverktyg med större diameter används ska träbitar med en tjocklek av minst 15 mm (5/8") monteras på parallellanslaget för att förhindra att anslaget kommer i beröring med fräsverktyget.

- **Fig.12:** 1. Parallellanslag 2. Trä

A=55 mm (2-3/16")

B=55 mm (2-3/16")

C=15 mm (5/8") eller tjockare

Mallanslag

Valfria tillbehör

Mallanslaget fungerar som en hylsa genom vilket fräsverktyget passerar, så att handöverfräsen kan användas med mallar.

- **Fig.13**

1. Lossa skruvarna på bottenplattan, för in mallanslaget och dra sedan åt skruvarna.

- **Fig.14:** 1. Skruvar 2. Mallanslag

2. Fäst mallen mot arbetsstycket. Placera verktyget på mallen och för verktyget med mallanslaget glidande utefter mallens sida.

- **Fig.15:** 1. Fräsverktyg 2. Bottenplatta
3. Bottenplatta 4. Mall 5. Arbetsstycke
6. Mallanslag

OBS: Arbetsstycket kommer att fräsas med en liten skillnad i storlek i jämförelse med mallen. Räkna med ett avstånd (X) mellan fräsverktyget och mallanslagets utsida. Avståndet (X) kan beräknas genom att använda följande ekvation:

Avstånd (X) = (mallanslagets ytterdiameter - fräsverktygets diameter) / 2

Kantanslag

Kantfräsning av böjda ytor i fanér för möbler och liknande kan lätt göras med rullanslaget. Rullanslaget följer den böjda kanten och garanterar ett fint frässpår.

Rullanslag (typ A)

Valfria tillbehör

Installera rullanslaget på anslagshållaren med vingskruven (B). Sätt i anslagshållaren i hålen på bottenplattan och dra åt vingskruven (A). Ställ in avståndet mellan fräsverktyget och rullanslaget genom att lossa vingskruven (B) och vrider på fininställningskruven. Lossa vingskruven (C) när du ställer in rullanslaget. Efter inställningen drar du åt alla vingskruvar ordentligt.

- **Fig.16:** 1. Anslagshållare 2. Justering av fininställningskruven 3. Kantanslag 4. Rullanslag

Kantanslag (typ B)

Valfria tillbehör

Installera kantanslaget på parallellanslaget med hjälp av vingskruven (B). Sätt i parallellanslaget i hålen på verktyget bottenplattan och dra åt vingskruven (A). Lossa vingskruven (B) för att justera avståndet mellan fräsverktyget och kantanslaget. Lossa vingskruven (C) när du ställer in rullanslaget uppåt eller nedåt. Efter inställningen drar du åt alla vingskruvar ordentligt.

- **Fig.17:** 1. Rullanslag 2. Kantanslag

För maskinen med rullen löpande mot arbetsstyckets sida under fräsningen.

- **Fig.18:** 1. Fräsverktyg 2. Rullanslag 3. Arbetsstycke

Dammskydd (för maskiner med ratt)

Valfria tillbehör

Dammskyddet hindrar att sågspån dras in i maskinen när den används upp och ned.

Installera dammskyddet som visas på bilden när maskinen används med en ställning för fräsmaskin som finns tillgänglig på marknaden.

Ta bort det när maskinen används i normalt läge.

► **Fig.19:** 1. Skruv 2. Dammkåpa

Distanskloss (för verktyg med ratt)

Valfria tillbehör

Distansklossen förhindrar att fräsverktyget faller in i chucken vid byte när verktyget används upp och ned. För in distansklossen så som visas på bilden när verktyget används med en ställning för fräsmaskin som finns tillgänglig på marknaden.

► **Fig.20:** 1. Hylsmutter 2. Spännhylsa 3. Distanskloss

Dammuppsugning

Valfria tillbehör

Använd dammunstycket för att ta bort damm.

► **Fig.21:** 1. Dammunestycke

Installera dammunstycket

► **Fig.22:** 1. Stöd 2. Säkerhetsspärr

1. Lyft upp dammunstyckets säkerhetsspärr.
2. Placera dammunstycket på verktygets bottenplatta så att dess övre del grips fast av kroken på bottenplattan.
3. För in stöden på dammunstycket i krokarna på bottenplattans framsida.
4. Tryck ner säkerhetsspärrarna mot bottenplattan.
5. Anslut en dammsugare till dammunstycket.

► **Fig.23**

Ta bort dammunstycket

1. Lyft upp säkerhetsspärrarna.
2. Dra ut dammunstycket från bottenplattan samtidigt som du håller fast stöden mellan tumme och finger.

UNDERHÅLL

⚠ FÖRSIKTIGT: Se alltid till att maskinen är avstängd och nätkabeln urdragen innan inspektion eller underhåll utförs.

OBSERVERA: Använd inte bensin, förtunningsmedel, alkohol eller liknande. Missfärgning, deformation eller sprickor kan uppstå.

Byte av kolborstar

► **Fig.24:** 1. Slitagemarkering

Kontrollera kolborstarna regelbundet.

Byt ut dem när de är nedslitna till slitagemarkeringen. Håll kolborstarna rena så att de lätt kan glida in i hållarna. Båda kolborstarna ska bytas ut samtidigt. Använd endast identiska kolborstar.

1. Använd en skruvmejsel för att ta bort locken till kolborstarna.

2. Ta ur de utslitna kolborstarna, montera nya och montera locken.

► **Fig.25:** 1. Borsthållarlock

För maskiner med ratt

⚠ FÖRSIKTIGT: Se alltid till att montera ratten igen efter att de nya kolborstarna har satts i.

Lossa säkerhetsspärrarna och ta bort ratten genom att vrida den moturs.

► **Fig.26:** 1. Ratt

OBS: Tryckfjädern trycks ut från ratten, så var försiktig så att du inte tappar bort den.

För att upprätthålla produktens SÄKERHET och TILLFÖRLITLIGHET bör allt underhålls- och justeringsarbete utföras av ett auktoriserat Makita servicecenter och med reservdelar från Makita.

VALFRIA TILLBEHÖR

Falsfräs med styrlager

Notfräs

► **Fig.27**

Måtenhet: mm

D	A	L1	L2
6	20	50	15
1/4"			
12	12	60	30
1/2"			
12	10	60	25
1/2"			
8	8	60	25
6			
6	8	50	18
1/4"			
6	6	50	18
1/4"			

”U”Fräsverktyg

► Fig.28

Måtenhet: mm

D	A	L1	L2	R
6	6	50	18	3

”V”Fräsverktyg

► Fig.29

Måtenhet: mm

D	A	L1	L2	θ
1/4"	20	50	15	90°

Sinkfräs

► Fig.30

Måtenhet: mm

D	A	L1	L2	θ
8	14,5	55	10	35°
3/8"				
8	14,5	55	14,5	23°
3/8"				
8	12	50	9	30°
3/8"				

Kantfräs med styrlager

► Fig.31

Måtenhet: mm

D	A	L1	L2	L3
12	12	60	20	35
8	8	60	20	35
6	6	60	18	28

Kantfräs med dubbelt styrlager

► Fig.32

Måtenhet: mm

D	A	L1	L2	L3	L4
6	6	70	40	12	14

Spårfräs

► Fig.33

Måtenhet: mm

D	A	L1	L2
12	30	55	6
1/2"			
12	30	55	3
1/2"			

Lamellfräs

► Fig.34

Måtenhet: mm

D	A1	A2	L1	L2	L3
12	38	27	61	4	20

Avrundningsfräs

► Fig.35

Måtenhet: mm

D	A1	A2	L1	L2	L3	R
6	25	9	48	13	5	8
6	20	8	45	10	4	4

Fasfräs

► Fig.36

Måtenhet: mm

D	A	L1	L2	L3	θ
6	23	46	11	6	30°
6	20	50	13	5	45°
6	20	49	14	2	60°

► Fig.37

Måtenhet: mm

D	A1	A2	L1	L2	L3	C
12	30	20	55	12	20	4
1/2"						

Spegelprofilfräs

► Fig.38

Måtenhet: mm

D	A1	A2	L1	L2	L3	R
12	30	20	55	12	20	4
1/2"						

Hålkärslfräs

► Fig.39

Måtenhet: mm

D	A	L1	L2	R
6	20	43	8	4
6	25	48	13	8

Kullagrad kantfräs

► Fig.40

Måtenhet: mm

D	A	L1	L2
6	10	50	20
1/4"			

Kullagrad avrundningsfräs

► Fig.41

Måtenhet: mm

D	A1	A2	L1	L2	L3	R
6	15	8	37	7	3,5	3
6	21	8	40	10	3,5	6
1/4"	21	8	40	10	3,5	6

Kullagrad fasfräs

► Fig.42

Måtenhet: mm

D	A1	A2	L1	L2	θ
6	26	8	42	12	45°
1/4"					
6	20	8	41	11	60°

Kullagrad spegelprofilfräs

► Fig.43

Måtenhet: mm

D	A1	A2	A3	L1	L2	L3	R
6	20	12	8	40	10	5,5	4
6	26	12	8	42	12	4,5	7

Kullagrad hålkärnsfräs

► Fig.44

Måtenhet: mm

D	A1	A2	A3	A4	L1	L2	L3	R
6	20	18	12	8	40	10	5,5	3
6	26	22	12	8	42	12	5	5

Kullagrad profilfräs

► Fig.45

Måtenhet: mm

D	A1	A2	L1	L2	L3	R1	R2
6	20	8	40	10	4,5	2,5	4,5
6	26	8	42	12	4,5	3	6

Dubbelkullagrad avrundningsfräs med styrlager

► Fig.46

Måtenhet: mm

D	A1	A2	A3	L1	L2	L3	R
12	35	27	19	70	11	3,5	3
1/2"							

TEKNISKE DATA

Modell:	M3602
Flenspatronkapasitet	12 mm eller 1/2"
Senkekapasitet	0 - 60 mm
Hastighet uten belastning	22 000 min ⁻¹
Total høyde	300 mm
Nettovekt	5,7 kg
Sikkerhetsklasse	⊠/II

- På grunn av vårt kontinuerlige forsknings- og utviklingsprogram kan spesifikasjonene som oppgis i dette dokumentet endres uten varsel.
- Spesifikasjonene kan variere fra land til land.
- Vekt i henhold til EPTA-prosedyre 01/2014

Riktig bruk

Denne maskinen er laget for rask trimming og profilering av tre, plast og lignende materialer.

Strømforsyning

Maskinen må bare kobles til en strømkilde med samme spenning som vist på typeskiltet, og kan bare brukes med enfase-vekselstrømforsyning. Den er dobbelt verneisoleret og kan derfor også brukes fra kontakter uten jording.

Støy

Typisk A-vektet lydtrykknivå er bestemt i henhold til EN62841-2-17:

Lydtrykknivå (L_{pA}): 84 dB (A)

Lydeffektnivå (L_{WA}): 95 dB (A)

Usikkerhet (K): 3 dB (A)

MERK: Den/de oppgitte verdien(e) for genererte vibrasjoner har blitt målt i henhold til standard testmetoder, og kan bli brukt til å sammenligne ett verktøy med et annet.

MERK: Den/de angitte verdien(e) for de genererte vibrasjonene kan også brukes til en foreløpig vurdering av eksponeringen.

⚠ADVARSEL: Bruk hørselsvern.

⚠ADVARSEL: De genererte vibrasjonene ved faktisk bruk av elektroverktøyet kan avvike fra den/de angitte vibrasjonsverdien(e), avhengig av hvordan verktøyet brukes.

⚠ADVARSEL: Sørg for å identifisere vernetiltak for å beskytte operatøren, som er basert på et estimat av eksponeringen under de faktiske bruksforholdene (idet det tas hensyn til alle deler av driftssyklusen, dvs. hvor lenge verktøyet er slått av, hvor lenge det går på tomgang og hvor lenge startbryteren faktisk holdes trykket).

Vibrasjoner

Den totale vibrasjonsverdien (triaksial vektorsum) bestemt i henhold EN62841-2-17:

Arbeidsmodus: Frese spor i MDF-plate

Genererte vibrasjoner (a_h): 3,1 m/s²

Usikkerhet (K): 1,5 m/s²

MERK: Den/de oppgitte verdien(e) for totalt genererte vibrasjoner har blitt målt i henhold til standard testmetoder, og kan bli brukt til å sammenligne ett verktøy med et annet.

MERK: Den/de angitte verdien(e) for totalt genererte vibrasjoner kan også brukes til en foreløpig vurdering av eksponeringen.

⚠ADVARSEL: De genererte vibrasjonene ved faktisk bruk av elektroverktøyet kan avvike fra den/de angitte vibrasjonsverdien(e), avhengig av hvordan verktøyet brukes og spesielt i forhold til arbeidsstykket som blir behandlet.

⚠ADVARSEL: Sørg for å identifisere vernetiltak for å beskytte operatøren, som er basert på et estimat av eksponeringen under de faktiske bruksforholdene (idet det tas hensyn til alle deler av driftssyklusen, dvs. hvor lenge verktøyet er slått av, hvor lenge det går på tomgang og hvor lenge startbryteren faktisk holdes trykket).

EFs samsvarserklæring

Gjelder kun for land i Europa

EFs samsvarserklæring er lagt til som vedlegg A i denne bruksanvisningen.

Generelle advarsler angående sikkerhet for elektroverktøy

⚠ADVARSEL: Les alle sikkerhetsadvarsler, instruksjoner, illustrasjoner og spesifikasjoner som følger med dette elektroverktøyet. Hvis ikke alle instruksjonene nedenfor følges, kan det forekomme elektrisk støt, brann og/eller alvorlig skade.

Oppbevar alle advarsler og instruksjoner for senere bruk.

Uttrykket «elektrisk verktøy» i advarslene refererer både til elektriske verktøy (med ledning) tilkoblet strømmettet, og batteridrevne verktøy (uten ledning).

Sikkerhetsadvarsler for fresemaskin

1. Hold verktøyet kun i det isolerte håndtaket, da skjærebladet kan komme i kontakt med sin egen ledning under arbeidet. Hvis en strømførende ledning kuttes, vil uisolerte metalldele av elektroverktøyet bli strømførende, og kan gi brukeren elektrisk støt.
2. Bruk tvinger eller en annen praktisk måte for å sikre og støtte arbeidsstykket på en stabil plattform. Hvis du holder det med hånden eller mot kroppen, kan det være ustabil og føre til at du mister kontrollen.
3. Kutterbitsskafte må passe til den tilhørende spennpartonen.
4. Bruk kun et bits som er merket for minst den samme maksimale hastigheten som er merket på verktøyet.
5. Bruk hørselsvern ved lengre arbeidsøkter.
6. Håndter håndoverfresbitset meget forsiktig.
7. Sjekk at det ikke finnes sprekker eller andre skader på håndoverfresbitset før du tar det i bruk. Skift ut sprukne eller ødelagte bits omgående.
8. Unngå å skjære i spiker. Se etter og fjern alle spiker fra arbeidsstykket før arbeidet påbegynnes.
9. Hold maskinen godt fast med begge hender.
10. Hold hendene unna roterende deler.
11. Forviss deg om at håndoverfresbitset ikke er i kontakt med arbeidsstykket før startbryteren er slått på.
12. Før du begynner å bruke maskinen på et arbeidsstykke, bør du la den gå en liten stund. Se etter vibrasjoner eller vingling som kan tyde på at bitset ikke er korrekt montert.
13. Vær nøye med håndoverfresbitsets dreieretning og arbeidsretning.
14. Ikke gå fra verktøyet mens det er i gang. Verktøyet må bare brukes mens operatøren holder det i hendene.
15. Før du fjerner verktøyet fra arbeidsstykket, må du alltid slå av maskinen og vente til håndoverfresbitset har stoppet helt.
16. Ikke berør håndoverfresbitset umiddelbart etter bruk. Det kan være ekstremt varmt og kan gi deg brannskader.
17. Ikke søl tynner, bensin, olje eller liknende på maskinfoten. Disse stoffene kan forårsake sprekker i maskinfoten.
18. Enkelte materialer inneholder kjemikalier som kan være giftige. Vis varsomhet for å hindre hudkontakt og innånding av støv. Følg leverandørens sikkerhetsanvisninger.
19. Bruk alltid riktig støvmaske/pustemaske for materialet og bruksområdet du arbeider med.
20. Plasser verktøyet på et stabilt sted. Ellers kan det oppstå en fallulykke som forårsaker personskader.
21. Hold ledningen unna føttene dine og andre gjenstander. En ledning som vikler seg fast kan føre til fall som påfører personskader.

TA VARE PÅ DISSE INSTRUKSENE.

⚠ADVARSEL: IKKE LA hensynet til hva som er "behagelig" eller det faktum at du kjenner produktet godt (etter mange gangers bruk) gjøre deg mindre oppmerksom på sikkerhetsreglene for bruken av det aktuelle produktet. Ved MISBRUK eller hvis ikke sikkerhetsreglene i denne bruksanvisningen følges, kan det oppstå alvorlig personskade.

FUNKSJONSBEKRIVELSE

⚠FORSIKTIG: Forviss deg alltid om at maskinen er slått av og støpselet trukket ut av kontakten før du justerer eller kontrollerer de mekaniske funksjonene.

Justere skjæredybden

Plasser verktøyet på et flatt underlag. Løse låsespaken, og senk verktøykroppen til håndoverfresbitset såvidt berører det flate underlaget. Stram låsespaken for å låse verktøykroppen. Mens du presser hurtigmatingknappen, beveger du stopperstangen opp eller ned til ønsket skjærelengde oppnås. Nøyaktige dybdejusteringer kan oppnås ved å vri stopperstangen (1,5 mm (1/16") per omdreining).

- Fig. 1: 1. Nylonmutter 2. Stopperstang
3. Hurtigmaterknapp
4. Justeringssekskantskrue 5. Stopperblokk
6. Sperreknapp

⚠FORSIKTIG: Skjæredybden bør ikke være mer enn 20 mm (13/16") per gjennomløp når du skjærer spor. For å kutte ekstra dype spor kan du ta to eller tre gjennomløp med økende dybdeinnstilling på håndoverfresbitset.

Nylonmutter

For verktøy uten knott

Juster øvre grense for verktøykroppen ved å dreie på nylonmutteren. Ikke senk nylonmutteren for mye. Håndoverfresbitset vil stikke frem på farlig måte.

For verktøy med knott

Juster øvre grense for verktøykroppen ved å dreie på knotten. Når håndoverfresbitsspissen trekkes tilbake mer enn nødvendig i forhold til overflaten av festeplaten, må du dreie knotten for å senke øvre grense.

- Fig. 2: 1. Knott

⚠FORSIKTIG: Siden overdreven skjæring kan overbelaste motoren eller skape vanskeligheter med å kontrollere verktøyet, må ikke skjæredybden være mer enn 20 mm (13/16") på det dypeste når du skjærer spor. Hvis du ønsker å frese sporene dypere enn 20 mm (13/16"), må du foreta flere skjæring med gradvis dypere innstillinger.

⚠FORSIKTIG: Ikke senk knotten for mye. Håndoverfresbitset vil stikke frem på farlig måte.

Stopperblokk

Etter som stopperblokken har tre justeringssekskantskruer som hever eller senker 0,8 mm per omdreining, kan du lett oppnå tre forskjellige skjæredybder uten å omjustere stopperstangen.

► **Fig.3:** 1. Stopperstang 2. Justeringssekskantskrue 3. Stopperblokk

Følg metoden i "Justere skjæredybden", og juster den nederste justeringssekskantskruen for å oppnå den dypeste skjæredybden.

Juster de to gjenværende justeringssekskantskruene for å oppnå grunnere skjæredybder. Høydeforskjellene for disse justeringssekskantskruene er den samme som høydeforskjellen i skjæredybdene.

For å justere justeringssekskantskruene må du dreie dem inn eller ut med en skrutrekker eller en skiftenøkkel. Stopperblokken kan også på en praktisk måte brukes til å kjøre tre runder med progressivt dypere bitshøyde når du skal frese dype spor.

Bryterfunksjon

⚠FORSIKTIG: Før du setter støpselet inn i kontakten, må du alltid forvise deg om at verktøyet er slått av.

⚠FORSIKTIG: Pass på at spindellåsen er frigjort før bryteren slås på.

For å starte verktøyet må du skyve av/på-bryteren til I-stillingen.

For å stoppe maskinen må du skyve av/på-bryteren til O-stillingen.

► **Fig.4:** 1. Startspaken

⚠FORSIKTIG: Hold verktøyet godt fast når du slår det av for å kunne stå imot etterreaksjonen.

Elektronisk funksjon

Maskinen er utstyrt med de elektroniske funksjonen for å gjøre den enkel å bruke.

Indikatorlampe

► **Fig.5:** 1. Indikatorlampe

Indikatorlampen lyser grønt når verktøyet er koblet til. Hvis indikatorlampen ikke tennes, kan det være en feil på strømledningen eller kontrolleren. Hvis indikatorlampen tennes, men verktøyet ikke starter selv om det er slått på, kan kullbørstene være slitt, eller det kan være en feil på kontrolleren, motoren eller på/av-bryteren.

Sikker mot utilsiktet omstart

Verktøyet starter ikke når bryterspaken er I-posisjon, selv når verktøyet er koblet til stikkkontakten. På dette tidspunktet blinker indikatorlampen rødt og viser at anordningen som skal hindre utilsiktet omstart, er i funksjon. For å avbryte denne sikkerhetsanordningen, beveger du bryterspaken tilbake til O-posisjon.

Mykstartfunksjon

Mykstartfunksjonen reduserer oppstartssjokket til et minimum, og gjør at verktøyet starter mykt.

MONTERING

⚠FORSIKTIG: Forviss deg alltid om at maskinen er slått av og støpselet trukket ut av kontakten før du utfører noe arbeid på maskinen.

Montere eller demontere håndoverfresbitset

Sett håndoverfresbitset helt inn i patronkonusen. Trykk på spindellåsen for å holde skaftet stille og bruk skiftenøkkelen til å stramme patronmutteren godt. Når du bruker håndoverfresbits med mindre skaftdiameter, må du først sette inn riktig patronhylse i patronkonusen, og deretter montere bitset.

Ta ut håndoverfresbitset ved å følge monteringsproseduren i motsatt rekkefølge.

► **Fig.6:** 1. Spindellås 2. Fastnøkkel 3. Løsne 4. Stramme

⚠FORSIKTIG: Monter håndoverfresbitset på en sikker måte. Bruk alltid bare skrunøkklene som ble levert sammen med verktøyet. Det kan være farlig hvis håndoverfresbitset er løst eller strammet for mye.

OBS: Ikke stram patronmutteren uten å sette inn et håndoverfresbits eller monter små skaftbits uten å bruke en patronhylse. Begge deler kan føre til brudd i patronkonusen.

BRUK

⚠FORSIKTIG: Før bruk må du alltid forsikre deg om at verktøykroppen heves automatisk til øvre grense og at håndoverfresbitset ikke stikker frem fra verktøyfoten når sperrespaken løsnes.

⚠FORSIKTIG: Før drift må du alltid forsikre deg om at flisvernet er montert på riktig måte.

⚠FORSIKTIG: Bruk alltid begge håndtakene, og hold verktøyet i begge håndtakene under bruk.

► **Fig.7:** 1. Spondeflektor

Sett verktøyfoten på det arbeidsemnet som skal fresas, uten at håndoverfresbitset kommer borti arbeidsemnet. Slå på maskinen og vent til håndoverfresbitset oppnår full hastighet. Senk verktøykroppen og beveg verktøyet over overflaten på arbeidsemnet, hold verktøyfoten i flukt og beveg den jevnt fremover til fresingen er fullført. Ved kantfresing må overflaten på arbeidsemnet være på venstre side av håndoverfresbitset i arbeidsretningen.

► **Fig.8:** 1. Arbeidsemne 2. Bitsets dreieretning 3. Visning fra oversiden av verktøyet 4. Arbeidsretning

MERK: Beveger du verktøyet forover for raskt, kan det resultere i dårlig skjærekvalitet, eller skader på håndoverfresbitset eller i motoren. Hvis verktøyet beveges for sakte, kan du brenne eller skade kuttet. Riktig hastighet avhenger av størrelsen på håndoverfresbitset, typen arbeidsemne og fresedybden.

Før du starter skjæringen i det aktuelle arbeidsemnet, råder vi deg til å foreta en prøveskjæring på et stykke kapp. Dette vil vise nøyaktig hvordan kuttet kommer til å se ut og gjør det mulig for deg å sjekke målene.

MERK: Når du bruker den rette føringen eller skjæreføringen, må du forsikre deg om at de monteres på høyre side i bevegelsesretningen. Dette vil hjelpe deg å holde den i flukt med siden på arbeidsemnet.

- **Fig.9:** 1. Arbeidsretning 2. Bitsets dreieretning
3. Arbeidsemne 4. Rett føring

Rett føring

Den rette føringen brukes for rette kutt ved skråfasing og sporfasing.

Rett føring (Type A)

Valgfritt tilbehør

Installer den rette føringen på skinneholderen med tommelskruen (B). Sett skinneholderen inn i hullene i verktøyfoten, og stram tommelskruen (A). For å justere avstanden mellom håndoverfresbitset og den rette føringen må du løsne tommelskruen (B) og dreie finjusteringskruen. Når avstanden er slik du vil ha den, må du stramme tommelskruen (B) for å feste den rette føringen på riktig sted.

- **Fig.10:** 1. Føringholder 2. Finjusteringskrue
3. Rett føring

Rett føring (Type B)

Valgfritt tilbehør

Sett den rette føringen inn i hullene i verktøyfoten, og stram tommelskruen. For å justere avstanden mellom håndoverfresbitset og den rette føringen må du løsne tommelskruen. Når avstanden er slik du vil ha den, må du stramme tommelskruen for å feste den rette føringen på riktig sted.

- **Fig.11:** 1. Tommelskrue 2. Rett føring

Når du skjærer, må du bevege verktøyet med den rette føringen i flukt med siden på arbeidsemnet. En bredere rett føring i ønskede mål kan lages ved hjelp av praktiske hull i føringen. I disse hullene kan det skrues fast ekstra trebiter.

Når du bruker et håndoverfresbits med større diameter, må du feste trebiter med en tykkelse på 15 mm (5/8") eller mer på den rette føringen for å unngå at håndoverfresbitset slår bort i føringen.

- **Fig.12:** 1. Rett føring 2. Tre

A=55 mm (2-3/16")

B=55 mm (2-3/16")

C=15 mm (5/8") eller tykkere

Templetføring

Valgfritt tilbehør

Templetføringen har en hylse som håndoverfresbitset går igjennom. Dette gjør det mulig å bruke håndoverfresbitset med templetmønster.

- **Fig.13**

1. Løsne skruene på foten, sette inn templetføringen, og stram skruene.

- **Fig.14:** 1. Skrue 2. Templetføring

2. Fest malen på arbeidsemnet. Plasser verktøyet på malen og skyv verktøyet med malføringen langs siden på malen.

- **Fig.15:** 1. Håndoverfresbits 2. Ramme 3. Bunnplate
4. Templet 5. Arbeidsemne 6. Templetføring

MERK: Arbeidsstykket skjæres i litt forskjellig størrelse i forhold til templeten. Tillat avstand (X) mellom håndoverfresbitset og utsiden av templetføringen. Avstanden (X) kan beregnes med følgende ligning:

Avstand (X) = (utvendig diameter på templetføringen - håndoverfresbitsdiameter) / 2

Skjæreføring

Pushing, bueskjæring i finer og lignende er lett med skjæreføringen. Føringssrollen holder kurven og sikrer et fint kutt.

Skjæreføring (Type A)

Valgfritt tilbehør

Installer skjæreføringen på skinneholderen med tommelskruen (B). Sett skinneholderen inn i hullene i verktøyfoten, og stram tommelskruen (A). For å justere avstanden mellom håndoverfresbitset og skjæreføringen, må du løsne tommelskruen (B) og dreie finjusteringskruen. Når du justerer føringssrollen opp eller ned, må du løsne tommelskruen (C). Når du har foretatt justeringen, må du stramme alle tommelskruene godt.

- **Fig.16:** 1. Føringholder 2. Finjusteringskrue
3. Skjæreføring 4. Føringssroll

Skjæreføring (Type B)

Valgfritt tilbehør

Installer skjæreføringen på den rette føringen ved hjelp av fingerskruene (B). Sett den rette føringen inn i hullene i verktøyfoten, og stram fingerskruen (A). Løsne fingerskruene (B) for å justere avstanden mellom håndoverfresbitset og skjæreføringen. Når du justerer føringssrollen opp eller ned, må du løsne fingerskruen (C). Når du har foretatt justeringen, må du stramme alle fingerskruene godt.

- **Fig.17:** 1. Føringssroll 2. Skjæreføring

Når du skjærer, må du bevege verktøyet med føringssrollen langs siden på arbeidsemnet.

- **Fig.18:** 1. Håndoverfresbits 2. Føringssroll
3. Arbeidsemne

Støvdeksel (for verktøy med knott)

Valgfritt tilbehør

Støvdekselet forhindrer at sagmugg blir trukket inn i verktøyet i omvendt posisjon. Installer støvdekselet som illustrert når verktøyet brukes med freserfot som er tilgjengelig i markedet.

Fjern det når verktøyet skal brukes i normal posisjon.

► **Fig.19:** 1. Skru 2. Støvdeksel

Avstandskloss (for verktøy med knott)

Valgfritt tilbehør

Avstandsklossen forhindrer at håndoverfresbitset faller inn i chucken når du skifter bitset i omvendt posisjon. Installer avstandsklossen som illustrert når verktøyet brukes med freserfot som er tilgjengelig i markedet.

► **Fig.20:** 1. Patronmutter 2. Patronkonus
3. Avstandskloss

Støvoppsamler

Valgfritt tilbehør

Bruk støvmunnstykket til støvsuging.

► **Fig.21:** 1. Støvmunnstykke

Montere støvmunnstykket

► **Fig.22:** 1. Støtte 2. Sperreknapp

1. Hev låsespaken på støvmunnstykket.
 2. Plasser støvmunnstykket på verktøyfoten slik at toppen fanges opp av krokene på foten.
 3. Sett støttene på støvmunnstykket inn i krokene foran på verktøyfoten.
 4. Skyv sperrespaken ned på verktøyfoten.
 5. Koble en støvsuger til støvmunnstykket.
- **Fig.23**

Demontere støvmunnstykket

1. Hev sperreknappen.
2. Dra støvmunnstykket ut av verktøyfoten mens du holder støttene mellom tommelen og pekefingeren.

VEDLIKEHOLD

⚠FORSIKTIG: Forviss deg alltid om at maskinen er slått av og støpselet trukket ut av kontakten før du foretar inspeksjon eller vedlikehold.

OBS: Aldri bruk gasolin, bensin, tynner alkohol eller lignende. Det kan føre til misfarging, deformering eller sprekkdannelse.

Skifte kullbørster

► **Fig.24:** 1. utskiftingsmerke

Kontroller kullbørstene med jevne mellomrom. Bytt dem når de er slitt ned til utskiftingsmerket. Hold kullbørstene rene og fri til å bevege seg i holderne. Begge kullbørstene må skiftes samtidig. Bruk bare identiske kullbørster.

1. Bruk en skrutrekker til å fjerne børsteholderhettene.

2. Ta ut de slitte kullbørstene, sett i nye, og fest børsteholderhettene.

► **Fig.25:** 1. Børsteholderhette

For verktøy med knott

⚠FORSIKTIG: Husk å montere knotten igjen etter at du har satt inn ny kullbørste.

Frigjør låsehendelen og fjern knotten ved å skru den mot klokken.

► **Fig.26:** 1. Knott

MERK: Trykkfjæren vil komme ut av knotten, så vær forsiktig så du ikke mister trykkfjæren.

For å opprettholde produktets SIKKERHET og PÅLITELIGHET, må reparasjoner, vedlikehold og justeringer utføres av autoriserte Makita servicesentre eller fabrikkservicesentre, og det må alltid brukes reservedeler fra Makita.

VALGFRITT TILBEHØR

Håndoverfresbits

Retts bits

► **Fig.27**

Enhet:mm

D	A	L1	L2
6	20	50	15
1/4"			
12	12	60	30
1/2"			
12	10	60	25
1/2"			
8	8	60	25
6			
6	8	50	18
1/4"			
6	6	50	18
1/4"			

”U” Sporbits

► Fig.28

Enhet:mm

D	A	L1	L2	R
6	6	50	18	3

”V” Sporbits

► Fig.29

Enhet:mm

D	A	L1	L2	θ
1/4”	20	50	15	90°

Svalehalebits

► Fig.30

Enhet:mm

D	A	L1	L2	θ
8	14,5	55	10	35°
3/8”				
8	14,5	55	14,5	23°
3/8”				
8	12	50	9	30°
3/8”				

Utjevningsskjærbits for borspiss

► Fig.31

Enhet:mm

D	A	L1	L2	L3
12	12	60	20	35
8	8	60	20	35
6	6	60	18	28

Dobbelt utjevningsskjærbits for borspiss

► Fig.32

Enhet:mm

D	A	L1	L2	L3	L4
6	6	70	40	12	14

Notfres

► Fig.33

Enhet:mm

D	A	L1	L2
12	30	55	6
1/2”			
12	30	55	3
1/2”			

Platfugebits

► Fig.34

Enhet:mm

D	A1	A2	L1	L2	L3
12	38	27	61	4	20

Hjørnefresbits

► Fig.35

Enhet:mm

D	A1	A2	L1	L2	L3	R
6	25	9	48	13	5	8
6	20	8	45	10	4	4

Skråfesebits

► Fig.36

Enhet:mm

D	A	L1	L2	L3	θ
6	23	46	11	6	30°
6	20	50	13	5	45°
6	20	49	14	2	60°

► Fig.37

Enhet:mm

D	A1	A2	L1	L2	L3	C
12	30	20	55	12	20	4
1/2”						

Pregingsbits

► Fig.38

Enhet:mm

D	A1	A2	L1	L2	L3	R
12	30	20	55	12	20	4
1/2”						

Rund pregingsbits

► Fig.39

Enhet:mm

D	A	L1	L2	R
6	20	43	8	4
6	25	48	13	8

Utjevningsskjærbits for kulelager

► Fig.40

Enhet:mm

D	A	L1	L2
6	10	50	20
1/4"			

Hjørnefresbits for kulelager

► Fig.41

Enhet:mm

D	A1	A2	L1	L2	L3	R
6	15	8	37	7	3,5	3
6	21	8	40	10	3,5	6
1/4"	21	8	40	10	3,5	6

Skråfasebits for kulelager

► Fig.42

Enhet:mm

D	A1	A2	L1	L2	θ
6	26	8	42	12	45°
1/4"					
6	20	8	41	11	60°

Pregingsbits for kulelager

► Fig.43

Enhet:mm

D	A1	A2	A3	L1	L2	L3	R
6	20	12	8	40	10	5,5	4
6	26	12	8	42	12	4,5	7

Rundt pregingsbits for kulelager

► Fig.44

Enhet:mm

D	A1	A2	A3	A4	L1	L2	L3	R
6	20	18	12	8	40	10	5,5	3
6	26	22	12	8	42	12	5	5

Romersk karniss-bits for kulelager

► Fig.45

Enhet:mm

D	A1	A2	L1	L2	L3	R1	R2
6	20	8	40	10	4,5	2,5	4,5
6	26	8	42	12	4,5	3	6

Hjørnefresbits for dobbelt kulelager

► Fig.46

Enhet:mm

D	A1	A2	A3	L1	L2	L3	R
12	35	27	19	70	11	3,5	3
1/2"							

TEKNISET TIEDOT

Malli:	M3602
Kiristysistukan kapasiteetti	12 mm tai 1/2"
Jyrsinkapasiteetti	0 - 60 mm
Kuormittamaton kierrosnopeus	22 000 min ⁻¹
Koko korkeus	300 mm
Nettopaino	5,7 kg
Suojausluokka	□/II

- Jatkuvasta tutkimus- ja kehitystyöstämme johtuen esitetyt tekniset tiedot saattavat muuttua ilman erillistä ilmoitusta.
- Tekniset tiedot voivat vaihdella maittain.
- Paino EPTA-menetelmän 01/2014 mukainen

Käyttötarkoitus

Työkalu on tarkoitettu puun, muovin ja vastaavien materiaalien tasotrimmausleikkaukseen ja profilointiin.

Virtalähde

Koneen saa kytkeä vain sellaiseen virtalähteeseen, jonka jännite on sama kuin arvokilvessä ilmoitettu, ja sitä saa käyttää ainoastaan yksivaiheisella vaihtovirralla. Laitte on kaksinkertaisesti suojaeristetty ja siksi se voidaan kytkeä myös maadoittamattomaan pistorasiaan.

Melutaso

Tyypillinen A-painotettu melutaso määräytyy standardin EN62841-2-17 mukaan:

Äänenpainetaso (L_{pA}): 84 dB (A)

Äänen voiman taso (L_{WA}): 95 dB (A)

Virhemarginaali (K): 3 dB (A)

HUOMAA: Ilmoitetut melutasoarvot on mitattu standarditestausmenetelmän mukaisesti ja niiden avulla voidaan vertailla työkaluja keskenään.

HUOMAA: Ilmoitettuja melutasoarvoja voidaan käyttää myös altistumisen alustavaan arviointiin.

VAROITUS: Käytä kuulosuojaimia.

VAROITUS: Sähkötyökalun käytön aikana mitattu melutasoarvo voi poiketa ilmoitetuista arvoista laitteen käyttötavan ja erityisesti käsiteltävän työkappaleen mukaan.

VAROITUS: Selvitä käyttäjän suojaamiseksi tarvittavat varoimet todellisissa käyttöolosuhteissa tapahtuvan arvioidun altistumisen mukaisesti (ottaen huomioon käyttöjako kokonaisuudessaan, myös jaksot, joiden aikana laite on sammutettuna tai käy tyhjäkäynnillä).

Tärinä

Kokonaistärinä (kolmen akselin vektorien summa)

määräytyy standardin EN62841-2-17 mukaan:

Työtila: urien leikkaaminen MDF-levyyn

Tärinäpäästö (a_{rh}): 3,1 m/s²

Virhemarginaali (K): 1,5 m/s²

HUOMAA: Ilmoitetut kokonaistärinäarvot on mitattu standarditestausmenetelmän mukaisesti ja niiden avulla voidaan vertailla työkaluja keskenään.

HUOMAA: Ilmoitettuja kokonaistärinäarvoja voidaan käyttää myös altistumisen alustavaan arviointiin.

VAROITUS: Sähkötyökalun käytön aikana mitattu todellinen tärinäpäästöarvo voi poiketa ilmoitetuista arvoista laitteen käyttötavan ja erityisesti käsiteltävän työkappaleen mukaan.

VAROITUS: Selvitä käyttäjän suojaamiseksi tarvittavat varoimet todellisissa käyttöolosuhteissa tapahtuvan arvioidun altistumisen mukaisesti (ottaen huomioon käyttöjako kokonaisuudessaan, myös jaksot, joiden aikana laite on sammutettuna tai käy tyhjäkäynnillä).

EY-vaatimustenmukaisuusvakuutus

Koskee vain Euroopan maita

EY-vaatimustenmukaisuusvakuutus on liitetty tähän käyttöoppaaseen.

Sähkötyökalujen käyttöä koskevat yleiset varoitukset

VAROITUS: Tutustu kaikkiin tämän sähkötyökalun mukana toimitettuihin varoituksiin, ohjeisiin, kuviin ja teknisiin tietoihin. Seuraavassa lueteltujen ohjeiden noudattamatta jättäminen saattaa johtaa sähköiskuun, tulipalloon tai vakavaan vammautumiseen.

Säilytä varoitukset ja ohjeet tulevaa käyttöä varten.

Varoituksissa käytettävällä termillä "sähkötyökalu" tarkoitetaan joko verkkovirtaa käyttävää (johdollista) työkalua tai akkukäyttöistä (johdotonta) työkalua.

Jyrsimen turvaohjeet

1. Pitele sähkötyökalua vain sen eristetyistä tartuntapinnoista, sillä leikkuri saattaa osua laitteeseen omaan virtajohtoon. Jos osut jännitteeseen johtoon, jännite voi siirtyä sähkötyökalun sähköä johtaviin metalliosiin ja aiheuttaa käyttäjälle sähköiskun.
2. Kiinnitä ja tue työkappale tukevalle alustalle puristimilla tai muulla käytännöllisellä tavalla. Työkappaleen pitelemisen käsin tai vartaloa vasten ei tue työkappaleita riittävästi ja voi johtaa hallinnan menetykseen.
3. Leikkoukärjen karan on oltava käytetyn kiristysholkin mukainen.
4. Käytä vain kärkiä, joiden nimellinopeus on vähintään yhtä suuri kuin työkaluun merkitty enimmäisnopeus.
5. Käytä kuulosuojaimia, jos käytät laitetta pitkään yhtäjaksoisesti.
6. Käsittele jyrsinteriä hyvin varovasti.
7. Tarkasta, ettei jyrsinkärjessä ole halkeamia, ennen kuin aloitat työskentelyn. Vaihda halkeileva tai muuten vahingoittunut kärki heti uuteen.
8. Vältä naulojen sahaamista. Tarkasta työkappale ja poista kaikki naulat ennen työstöä.
9. Pidä työkalusta lujasti molemmin käsin.
10. Pidä kädet loitolla pyörivistä osista.
11. Varmista, että jyrsinkärki ei kosketa työkappaleita, ennen kuin kytkin käännetään päälle.
12. Anna koneen käydä jonkin aikaa, ennen kuin alat työstää työkappaleita. Jos jyrsinkärki pyörii epätaisisesti tai täristen, se voi olla väärin asennettu.
13. Ole varovainen jyrsikärjen pyörimissuunnan ja syöteen suunnan suhteen.
14. Älä jätä työkalua käymään itsekseen. Käytä työkalua vain silloin, kun pidät sitä kädessä.
15. Sammuta aina laite ja odota, kunnes jyrsinkärki on täysin pysähtynyt ennen työkalun irrotusta työkappaleesta.
16. Älä kosketa jyrsintä välittömästi käytön jälkeen, sillä se saattaa olla erittäin kuuma ja poltaa ihoa.
17. Älä tahraa työkalun pohjaa huolimattomasti tinnerillä, bensiniillä, öljyllä tai vastaavalla. Ne voivat aiheuttaa halkeamia työkalu pohjaan.
18. Jotkin materiaalit sisältävät kemikaaleja, jotka voivat olla myrkyllisiä. Huolehdi, että pölyn sisäänhengittämistä ja ihokosketusta vältetään. Noudata materiaalin toimittajan turvaohjeita.
19. Käytä aina työstettävän materiaalin ja käyttö-tarkoituksen mukaan valittua pölynaamaria/hengityssuojainta.
20. Aseta työkalu tasaiselle alustalle. Muutoin seurauksena voi olla putoamisesta johtuvia henkilövammoja.
21. Pidä johto poissa jaloista ja muista esineistä. Muutoin kiinni takertuva johto voi johtaa kaatumis- tai onnettomuuteen ja henkilövahinkoon.

SÄILYTÄ NÄMÄ OHJEET.

VAROITUS: ÄLÄ anna työkalun helppokäyttöisyyden (toistuvan käytön aikaansaama) johtaa sinua väärään turvallisuuden tunteeseen niin, että laiminlyöt työkalun turvaohjeiden noudattamisen. **VÄÄRINKÄYTTÖ** tai tässä käyttöohjeessa ilmoitettujen turvamääräysten laiminlyönti voi aiheuttaa vakavia henkilövahinkoja.

TOIMINTOJEN KUVAUS

HUOMIO: Varmista aina ennen koneen säätöjen ja toiminnallisten tarkistusten tekemistä, että kone on sammutettu ja irrotettu pistorasiasta.

Sahaussyvyyden säätäminen

Aseta työkalu tasaiselle pinnalle. Löysää lukitusvipua ja laske työkalun runkoa, kunnes jyrsinkärki koskettaa tasaista pintaa. Lukitse työkalun runko kiristämällä lukitusvipu. Pidä pikasyöttöpainiketta painettuna ja liikuta samalla pysäytintappia ylös tai alas, kunnes haluttu leikkaussyvyys on saavutettu. Tarkat syvyyssäädöt voidaan tehdä pysäytintappia kääntämällä (1,5 mm (1/16") kierrosta kohti).

► **Kuva1:** 1. Nailonmutteri 2. Pysäytintappi
3. Pikasyöttöpainike 4. Säätökuusiopultti
5. Pysäytinlohko 6. Lukitusvipu

HUOMIO: Leikkaussyvyys ei saisi ylittää 20 mm (13/16") leikkauksen yhden ylityksen aikana leikkausuurretta tehtäessä. Tee erittäin syviin leikkaustoimintoihin kaksi tai kolme ylitystä asteittain syvenevillä jyrsinkärkiasetuksilla.

Nailonmutteri

Työkalut, joissa ei ole nuppia

Työkalun rungon ylempää rajaa voi säätää kiertämällä nailonmutteriä. Älä laske nailonmutteriä liikaa. Jyrsinkärki työntyy vaarallisesti ulos.

Nupilla varustetut työkalut

Työkalun rungon ylärajaa voi säätää nuppia kääntämällä. Kun jyrsinkärkeä on vedetty sisään tarpeellista enemmän pohjalevyn pintaan verrattuna, laske ylärajaa alemmas nuppia kääntämällä.

► **Kuva2:** 1. Nuppi

HUOMIO: Koska liiallinen leikkaus voi ylikuormittaa moottoria tai aiheuttaa työkalun hallinnassa vaikeuksia, leikkauksen syvyys ei saisi olla yli 20 mm (13/16") leikkauusuurretta läpäisessä. Kun haluat leikata yli 20 mm (13/16") syviä uurreita, tee monta läpisyä asteittain syvemmillä jyrsinkärjen asetuksilla.

HUOMIO: Älä laske nuppia liian alas. Jyrsinkärki työntyy vaarallisesti ulos.

Pysäytinlohko

Koska pysäytinlohkossa on kolme säätökuusiopulttia, joiden kääntäminen täyden kierroksen verran nostaa tai laskee leikkaussyvyyttä 0,8 mm, voit asettaa niiden avulla helposti kolme eri leikkaussyvyyttä ilman, että pysäytintappia tarvitsee säätää uudelleen.

► **Kuva3:** 1. Pysäytintappi 2. Säätökuusiopultti 3. Pysäytinlohko

Syvimmän leikkaussyvyyden saat säätämällä alinta säätökuusiopulttia kohdassa "Leikkaussyvyyden säätö" annettujen ohjeiden mukaan.

Säädä kahta muuta säätökuusiopulttia, jos haluat säätää leikkaussyvyyden matalammaksi. Säätökuusiopulttien korkeuserot vastaavat leikkaussyvyysien eroja.

Tee säätökuusiopulttien säädöt kääntämällä niitä ruuvitalalla tai kiintoavaimella. Pysäytinlohko auttaa syvien urien leikkaamisessa, sillä sen avulla voit tehdä kätevästi kolme peräkkäistä leikkausta kasvattamalla leikkaussyvyttä kullakin leikkauskerralla.

Kytkimen käyttäminen

▲HUOMIO: Tarkista aina ennen työkalun virtaan kytkemistä, että työkalu on pois päältä.

▲HUOMIO: Varmista, että akselilukko on vapautettu, ennen kuin kytkin on kytketty päälle.

Käynnistä työkalu siirtämällä kytkinvipu I-asentoon. Pysäytä työkalu siirtämällä kytkinvipu O-asentoon.

► **Kuva4:** 1. Kytkinvipu

▲HUOMIO: Pidä työkalua lujasti kun kytket sen pois, nujertaaksesi reaktio.

Sähköinen toiminta

Laite on varustettu sähköisillä toiminnoilla helpokäyttöisyyttä ajatellen.

Merkkivalo

► **Kuva5:** 1. Merkkivalo

Vihreä merkkivalo syttyy, kun työkalu liitetään virransyöttöön. Jos merkkivalo ei syty, päävirtajohto tai ohjain saattaa olla vahingoittunut. Merkkivalo palaa, mutta työkalu ei käynnisty silloinkaan, kun työkalu käynnistetään, hiiliharjat saattavat olla kuluneet tai ohjain, moottori tai ON/OFF-kytkin saattaa olla vaurioitunut.

Tahattoman uudelleenkäynnistykseen esto

Työkalu ei välttämättä käynnisty, vaikka kytkinvipu on asennossa I ja työkalun virtajohto olisi kytketty. Silloin merkkivalo vilkkuu punaisena ja osoittaa, että tahattoman uudelleenkäynnistykseen estolaite on toiminnassa.

Peruuta tahattoman uudelleenkäynnistykseen esto palauttamalla kytkinvipu takaisin O-asentoon.

Pehmeä käynnisty

Pehmeä käynnistys-ominaisuus minimoi käynnistysiskun ja näin työkalu käynnistyy tasaisesti.

KOKOONPANO

▲HUOMIO: Varmista aina ennen koneelle tehtäviä toimenpiteitä, että kone on sammutettu ja irrotettu pistorasiasta.

Jyrsinkärjen kiinnitys ja irrotus

Aseta jyrsinkärki niin syväälle kiristysholkkiin kuin se menee. Pidä akseli paikallaan painamalla akselilukkoa ja kiristä kiristysholkin mutteri tiukasti kiintoavaimella. Kun käytät pienemmän varsihalkaisijan jyrsinkärkiä, asenna ensin sopiva istukan holkki kiristysholkkiin ja asenna sitten jyrsinkärki.

Irrota jyrsinkärki päinvastaisessa järjestyksessä.

► **Kuva6:** 1. Akselilukko 2. Kiintoavain 3. Löysäys 4. Kiristys

▲HUOMIO: Asenna jyrsinkärki tiukasti. Käytä ainoastaan työkalun mukana toimitettuja kiintoavaimia. Löysä tai ylikiristetty jyrsinkärki voi olla vaarallinen.

HUOMAUTUS: Älä kiristä kiristysistukan mutteria jyrsinkärkeä asettamatta tai liitä pientä kärkivartta käyttämättä kiristysistukan holkkia. Kumpi tahansa voi johtaa kiristysholkin kartion rikkoutumiseen.

TYÖSKENTELY

▲HUOMIO: Varmista aina ennen käyttöä, että työkalun runko nousee automaattisesti ylärajaan ja ettei jyrsinkärki työnny työkalun pohjasta, kun lukkovipua on löysennetty.

▲HUOMIO: Ennen toimintaa varmista aina, että lastuohjain on asennettu kunnolla.

▲HUOMIO: Pidä aina tukevasti kiinni työkalun molemmista kahvoista työskentelyn aikana.

► **Kuva7:** 1. Lastun ohjain

Aseta työkalun pohja sahattavan työkappaleen päälle ilman, että jyrsinkärki koskettaa työkappaleita. Käynnistä sitten työkalu ja odota, kunnes jyrsinkärki pyörii täydellä nopeudella. Laske työkalun runko ja kuljeta sitä työkappaleen pinnalla tasaisesti eteenpäin niin, että työkalun pohja samassa tasossa työkappaleella ja etene tasaisesti, kunnes leikkaus on valmis.

Kun leikkaat reunoja, työkappaleen pinnan tulisi olla jyrsinkärjen syöttösuunnan vasemalla puolella.

► **Kuva8:** 1. Työkappale 2. Kärjen pyörimissuunta 3. Näkymä työkalun päältä 4. Syöttösuunta

HUOMAA: Työkalun liian nopea kuljettaminen eteenpäin voi aiheuttaa huonolaatuisen leikkauksen, tai vahingoittaa jyrskärkeä tai moottoria. Työkalun liian hidas liikuttaminen eteenpäin voi polttaa ja pilata leikkauksen. Sopiva syöttönopeus riippuu jyrskärjän koosta, työkappaleen tyypistä ja leikkauksen syvyydestä.

Ennen varsinaista työkappaleen työstämistä, on suositeltua tehdä koeleikkaus lankunpalaseen. Tämän avulla näet tarkalleen miltä leikkaus näyttää ja voit myös tarkastaa mittasuhteet.

HUOMAA: Kun sovellat suoraa ohjainta tai jyrsinohjainta, asenna se varmasti syöttösuunnan oikealla puolella. Tämä auttaa pitämään sitä samassa tasossa työkappaleen sivun kanssa.

- **Kuva9:** 1. Syöttösuunta 2. Kärjen pyörimissuunta 3. Työkappale 4. Suoraohjain

Suoraohjain

Suoraohjainta käytetään tehokkaasti suorien leikkauksien tekoon viistoamisen tai urittamisen tapauksissa.

Suoraohjain (tyyppi A)

Lisävaruste

Kiinnitä suoraohjain ohjaimen pitimeen sormiruuvilla (B). Aseta ohjaimen pidin työkalun pohjassa oleviin aukkoihin ja kiristä sormiruuvi (A). Säädä jyrskärjän ja suoran ohjaimen välistä etäisyyttä löysäämällä sormiruuvia (B) ja kiertämällä hienosäätöruuvia. Kun haluttu etäisyys on saavutettu, kiinnitä suoraohjain paikalleen kiristämällä sormiruuvia (B).

- **Kuva10:** 1. Ohjaimen pidin 2. Hienosäätöruuvi 3. Suoraohjain

Suoraohjain (tyyppi B)

Lisävaruste

Aseta suoraohjain työkalun pohjassa oleviin aukkoihin ja kiristä sormiruuvi. Jos haluat säätää suoraohjaimen ja jyrskärjän välistä etäisyyttä, löysää sormiruuvi. Kun etäisyys on haluamasi, kiinnitä suoraohjain paikoilleen kiristämällä sormiruuvia.

- **Kuva11:** 1. Peukaloruuvi 2. Suoraohjain

Liikuta työkalua leikatessa siten, että suoraohjain on samassa tasossa työkalun sivun kanssa. Suoraohjaimen voi levittää haluttuun mittaan käyttämällä ohjaimessa olevia sopivia aukkoja lisäpuupalasen kiinnittämiseksi.

Kun käytät halkaisijaltaan suurta jyrskärkeä, kiinnitä sellaisia puupalasia suoraohjaimen, joiden paksuus on yli 15 mm (5/8"), estääksesi jyrskärjän iskeytymisen suoraan ohjaimen.

- **Kuva12:** 1. Suoraohjain 2. Puu

A=55 mm (2-3/16")
B=55 mm (2-3/16")
C=15 mm (5/8") tai paksumpi

Mallilankun ohjain

Lisävaruste

Mallilankun ohjain muodostaa kanavan, jonka kautta jyrskärki kulkee, jolloin yläjyrsimellä voi tehdä leikkauksia mallilankujen kaavioiden mukaisesti.

- **Kuva13**

1. Löysää työkalun alustan ruuveja, asenna mallilankun ohjain paikalleen ja kiristä sitten ruuvit.

- **Kuva14:** 1. Ruuvit 2. Mallilankun ohjain

2. Varmista mallilankun kiinnitys työkappaleeseen. Aseta työkalu mallilankun päälle ja liikuta työkalua siten, että mallilankun ohjain liukuu mallilankun sivua pitkin.

- **Kuva15:** 1. Jyrskärki 2. Alusta 3. Pohjalevy 4. Mallilanku 5. Työkappale 6. Mallilankun ohjain

HUOMAA: Työkappale leikataan hieman eri kokiseksi, kuin mallilankku. Ota lukuun (X) jyrskärjän ja mallilankun ohjaimen välinen etäisyys. Etäisyys (X) voidaan laskea seuraavaa yhtälöä käyttämällä:

Etäisyys (X) = (mallilankun ohjaimen ulkohalkaisija - jyrskärjän halkaisija) / 2

Jyrsinohjain

Trimmausleikkaukset, huonekalujen vanereihin kaarevat leikkauksen ja vastaavat voidaan tehdä helposti jyrsinohjaimella. Ohjaimen tela ajaa kaaria ja takaa siistin leikkauksen.

Jyrsinohjain (tyyppi A)

Lisävaruste

Kiinnitä jyrsinohjain ohjaimen pitimeen sormiruuvilla (B). Aseta ohjaimen pidin työkalun pohjassa oleviin aukkoihin ja kiristä sormiruuvi (A). Säädä jyrskärjän ja trimmausohjaimen välistä etäisyyttä löysäämällä sormiruuvia (B) ja kiertämällä hienosäätöruuvia. Säädä ohjaustelaa ylä- tai alasuuntaan löysäämällä sormiruuvia (C). Kun säädöt on tehty, kiristä kaikki sormiruuvit huolellisesti.

- **Kuva16:** 1. Ohjaimen pidin 2. Hienosäätöruuvi 3. Jyrsinohjain 4. Ohjaintela

Jyrsinohjain (tyyppi B)

Lisävaruste

Kiinnitä jyrsinohjain suoraohjaimen siipiruuvilla (B). Aseta suoraohjain työkalun pohjassa oleviin aukkoihin ja kiristä siipiruuvi (A). Jos jyrskärjän ja jyrsinohjaimen välistä etäisyyttä on säädettävä, löysää siipiruuvia (B). Säädä ohjainrullaa ylä- tai alasuuntaan löysäämällä siipiruuvia (C). Kun säädöt on tehty, kiristä kaikki siipiruuvit huolellisesti.

- **Kuva17:** 1. Ohjaintela 2. Jyrsinohjain

Liikuta työkalua leikatessa siten, että ohjaimen tela etenee työkalun sivulla.

- **Kuva18:** 1. Jyrskärki 2. Ohjaintela 3. Työkappale

Pölysuojus (nupilla varustettu työkalu)

Lisävaruste

Pölysuojus estää sahanpurua pääsemästä työkalun sisään, kun työkalua käytetään ylösalaisin käännettynä. Asenna pölysuojus kuvassa esitetyllä tavalla, jos käytät työkalua erikseen ostettavan yläjyrsinjalustan kanssa. Irrota pölysuojus, kun käytät työkalua normaalissa asennossa.

► **Kuva19:** 1. Ruuvi 2. Pölysuojus

Välikappale (nupilla varustettu työkalu)

Lisävaruste

Välikappale estää jyrsinkärkeä putoamasta istukkaan, kun jyrsinkärki vaihdetaan työkalun ollessa ylösalaisin. Aseta välikappale paikalleen kuvan mukaisesti, jos käytät työkalua erikseen saatavana olevan yläjyrsinteli-neen kanssa.

► **Kuva20:** 1. Kiristysholkin mutteri 2. Kiristysholkki
3. Välikappale

Pölynpoisto

Lisävaruste

Pölysuutinta käytetään pölynpoistoon.

► **Kuva21:** 1. Pölysuutin

Pölysuuttimen asentaminen

► **Kuva22:** 1. Tuki 2. Lukitusvipu

1. Nosta pölysuuttimen lukitusvipu ylös.
 2. Aseta pölysuutin työkalun pohjaan niin, että työkalun pohjassa oleva salpa ottaa kiinni pölysuuttimen yläosaan.
 3. Kiinnitä pölysuuttimessa olevat kannattimet työkalun pohjan edessä oleviin salpoihin.
 4. Paina lukkovipua alas työkalun pohjaan.
 5. Kytke pölynimuri pölysuuttimeen.
- **Kuva23**

Pölysuuttimen irrottaminen

1. Nosta lukitusvipua.
2. Paina kiinnittämiä peukalollasi ja sormellasi ja vedä pölysuutin ulos työkalun pohjasta.

KUNNOSSAPITO

▲HUOMIO: Varmista aina ennen tarkastuksia ja huoltotöitä, että työkalu on sammutettu ja irrotettu virtalähteestä.

HUOMAUTUS: Älä koskaan käytä bensiiniä, ohenteita, alkoholia tai tms. aineita. Muutoin pinta voi halkeilla tai sen värit ja muoto voivat muuttua. Muutoin laitteeseen voi tulla värjäytyimiä, muodon vääristymiä tai halkeamia.

Hiiliharjojen vaihtaminen

► **Kuva24:** 1. Rajamerkki

Tarkista hiiliharjat säännöllisesti. Vaihda ne, kun ne ovat kuluneet rajamerkkiin asti. Pidä hiiliharjat puhtaina ja varmista, että ne pääsevät liukumaan vapaasti pidikkeissään. Molemmat hiiliharjat on vaihdettava yhtä aikaa. Käytä vain identtisiä hiiliharjoja.

1. Irrota hiiliharjanpidikkeiden kuvut ruuvimeisselillä.
2. Irrota kuluneet hiiliharjat, asenna uudet ja kiinnitä pidikkeiden kuvut.

► **Kuva25:** 1. Hiiliharjan pidikkeen kupu

Nupilla varustetut työkalut

▲HUOMIO: Kiinnitä varmasti nuppi uudestaan uuden hiiliharjan kiinnittämisen jälkeen.

Vapauta lukitusvipu ja irrota nuppi kiertämällä sitä vastapäivään.

► **Kuva26:** 1. Nuppi

HUOMAA: Puristusjousi tulee ulos nupista, joten varo hukkaamasta sitä.

Tuotteen TURVALLISUUDEN ja LUOTETTAVUUDEN takaamiseksi korjaukset, muut huoltotyöt ja säädöt on teetettävä Makitan valtuutetussa huoltopisteessä Makitan varaosia käyttäen.

LISÄVARUSTEET

Yläjyrsinkärkit

Suora kärki

► **Kuva27**

Yksikkö: mm

D	A	L1	L2
6	20	50	15
1/4"			
12	12	60	30
1/2"			
12	10	60	25
1/2"			
8	8	60	25
6	8	50	18
1/4"			
6	6	50	18
1/4"			

”U”-urituskärki

► Kuva28

Yksikkö: mm

D	A	L1	L2	R
6	6	50	18	3

”V”-urituskärki

► Kuva29

Yksikkö: mm

D	A	L1	L2	θ
1/4"	20	50	15	90°

Sinkkauskärki

► Kuva30

Yksikkö: mm

D	A	L1	L2	θ
8	14,5	55	10	35°
3/8"				
8	14,5	55	14,5	23°
3/8"				
8	12	50	9	30°
3/8"				

Porakärjen upottama trimmauskärki

► Kuva31

Yksikkö: mm

D	A	L1	L2	L3
12	12	60	20	35
8	8	60	20	35
6	6	60	18	28

Porakärjen tuplasti upottava trimmauskärki

► Kuva32

Yksikkö: mm

D	A	L1	L2	L3	L4
6	6	70	40	12	14

Lovituseleikkuri

► Kuva33

Yksikkö: mm

D	A	L1	L2
12	30	55	6
1/2"			
12	30	55	3
1/2"			

Levynsaumauskärki

► Kuva34

Yksikkö: mm

D	A1	A2	L1	L2	L3
12	38	27	61	4	20

Kulmanpyörästyskärki

► Kuva35

Yksikkö: mm

D	A1	A2	L1	L2	L3	R
6	25	9	48	13	5	8
6	20	8	45	10	4	4

Viistoamiskärki

► Kuva36

Yksikkö: mm

D	A	L1	L2	L3	θ
6	23	46	11	6	30°
6	20	50	13	5	45°
6	20	49	14	2	60°

► Kuva37

Yksikkö: mm

D	A1	A2	L1	L2	L3	C
12	30	20	55	12	20	4
1/2"						

Käyräkärki

► Kuva38

Yksikkö: mm

D	A1	A2	L1	L2	L3	R
12	30	20	55	12	20	4
1/2"						

Kartiokäyräkärki

► Kuva39

Yksikkö: mm

D	A	L1	L2	R
6	20	43	8	4
6	25	48	13	8

Kuulalaakerin upottava jyrsinkärki

► Kuva40

Yksikkö: mm

D	A	L1	L2
6	10	50	20
1/4"			

Kuulalaakerinen kulmanpyörästyskärki

► Kuva41

Yksikkö: mm

D	A1	A2	L1	L2	L3	R
6	15	8	37	7	3,5	3
6	21	8	40	10	3,5	6
1/4"	21	8	40	10	3,5	6

Kuulalaakerinen viistoamiskärki

► Kuva42

Yksikkö: mm

D	A1	A2	L1	L2	θ
6	26	8	42	12	45°
1/4"					
6	20	8	41	11	60°

Kuulalaakerinen käyräkärki

► Kuva43

Yksikkö: mm

D	A1	A2	A3	L1	L2	L3	R
6	20	12	8	40	10	5,5	4
6	26	12	8	42	12	4,5	7

Kuulalaakerinen kartiokäyräkärki

► Kuva44

Yksikkö: mm

D	A1	A2	A3	A4	L1	L2	L3	R
6	20	18	12	8	40	10	5,5	3
6	26	22	12	8	42	12	5	5

Kuulalaakerinen suippokaarikärki

► Kuva45

Yksikkö: mm

D	A1	A2	L1	L2	L3	R1	R2
6	20	8	40	10	4,5	2,5	4,5
6	26	8	42	12	4,5	3	6

Tupla-kuulalaakerinen kulmanpyörästyskärki

► Kuva46

Yksikkö: mm

D	A1	A2	A3	L1	L2	L3	R
12	35	27	19	70	11	3,5	3
1/2"							

SPECIFIKATIONER

Model:	M3602
Kapacitet af indsatspatron	12 mm eller 1/2"
Kapacitet af indstik	0 - 60 mm
Hastighed uden belastning	22.000 min ⁻¹
Samlet højde	300 mm
Nettovægt	5,7 kg
Sikkerhedsklasse	□/II

- På grund af vores kontinuerlige forsknings- og udviklingsprogrammer kan hosstående specifikationer blive ændret uden varsel.
- Specifikationer kan variere fra land til land.
- Vægt i henhold til EPTA-procedure 01/2014

Tilsigtet anvendelse

Maskinen er beregnet til tilskæring og afdrejning af træ, plastik og lignende materialer.

Strømforsyning

Maskinen må kun tilsluttes en strømforsyning med samme spænding som angivet på typeskiltet og kan kun anvendes på enfaset vekselstrømforsyning. Den er dobbeltisoleret og kan derfor også tilsluttes netstik uden jordforbindelse.

Støj

Det typiske A-vægtede støjniveau bestemt i overensstemmelse med EN62841-2-17:
 Lydtryksniveau (L_{pA}) : 84 dB (A)
 Lydeffektniveau (L_{WA}) : 95 dB (A)
 Usikkerhed (K): 3 dB (A)

BEMÆRK: De(n) angivne støjemissionsværdi(er) er målt i overensstemmelse med en standardtestmetode og kan anvendes til at sammenligne en maskine med en anden.

BEMÆRK: De(n) angivne støjemissionsværdi(er) kan også anvendes i en præliminær eksponeringsvurdering.

⚠ ADVARSEL: Bær høreværn.

⚠ ADVARSEL: Støjemissionen under den faktiske anvendelse af maskinen kan være forskellig fra de(n) angivne værdi(er), afhængigt af den måde hvorpå maskinen anvendes, især den type arbejdsemne der behandles.

⚠ ADVARSEL: Sørg for at identificere de sikkerhedsforskrifter til beskyttelse af operatøren, som er baseret på en vurdering af eksponering under de faktiske brugsforhold (med hensyntagen til alle dele i brugscyklussen, f.eks. de gange, hvor maskinen er slukket, og når den kører i tomgang i tilgift til afbrydertiden).

Vibration

Vibrationens totalværdi (tre-aksial vektorsum) bestemt i overensstemmelse med EN62841-2-17:

Arbejdstilstand: skæring af riller i MDF

Vibrationsemission (a_h): 3,1 m/s²

Usikkerhed (K): 1,5 m/s²

BEMÆRK: De(n) angivne totalværdi(er) for vibration er målt i overensstemmelse med en standardtestmetode og kan anvendes til at sammenligne en maskine med en anden.

BEMÆRK: De(n) angivne totalværdi(er) for vibration kan også anvendes i en præliminær eksponeringsvurdering.

⚠ ADVARSEL: Vibrationsemissionen under den faktiske anvendelse af maskinen kan være forskellig fra de(n) angivne værdi(er), afhængigt af den måde hvorpå maskinen anvendes, især den type arbejdsemne der behandles.

⚠ ADVARSEL: Sørg for at identificere de sikkerhedsforskrifter til beskyttelse af operatøren, som er baseret på en vurdering af eksponering under de faktiske brugsforhold (med hensyntagen til alle dele i brugscyklussen, f.eks. de gange, hvor maskinen er slukket, og når den kører i tomgang i tilgift til afbrydertiden).

EF-overensstemmelseserklæring

Kun for lande i Europa

EF-overensstemmelseserklæringen er inkluderet som Bilag A i denne brugsanvisning.

Almindelige sikkerhedsregler for el-værktøj

⚠ ADVARSEL: Læs alle de sikkerhedsadvarsler, instruktioner, illustrationer og specifikationer, der følger med denne maskine. Forsømmelse af at overholde alle nedenstående instruktioner kan medføre elektrisk stød, brand og/eller alvorlig personskade.

Gem alle advarsler og instruktioner til fremtidig reference.

Ordet "el-værktøj" i advarslerne henviser til det netforsynede (netledning) el-værktøj eller batteriforsynede (akku) el-værktøj.

Sikkerhedsadvarsler for overfræser

1. **Hold kun maskinen i de isolerede gribeblader, da skæreren kan komme i kontakt med sin egen ledning.** Hvis der skæres i en strømførende ledning, kan udsatte metaldele på maskinen også blive strømførende, hvorved operatøren kan få elektrisk stød.
2. **Brug skruetvinger eller en anden praktisk måde til at fastgøre og understøtte arbejdsområdet til en stabil platform.** Hvis arbejdsområdet holdes i hånden eller mod kroppen, er det ustabil, hvilket kan medføre, at du mister kontrollen.
3. **Skærebittens aksel skal matche den designede spændepatron.**
4. **Brug kun en bit som er normeret til mindst at være det samme som den maksimale hastighed, der er angivet på maskinen.**
5. **Bær høreværn ved længere tids brug.**
6. **Håndter overfræserbits yderst forsigtigt.**
7. **Kontroller overfræserbitten omhyggeligt for revner eller beskadigelse før brugen. Udskift øjeblikkeligt en revnet eller beskadiget bit.**
8. **Undgå at skære i søm. Se efter og fjern alle søm fra arbejdsområdet, før arbejdet påbegyndes.**
9. **Hold godt fast i maskinen med begge hænder.**
10. **Hold hænderne på afstand af roterende dele.**
11. **Sørg for, at overfræserbitten ikke er i kontakt med arbejdsområdet, før der tændes ved kontakten.**
12. **Lad maskinen køre et stykke tid, før den anvendes på et egentligt arbejdsområde. Se efter vibration eller rysten, der kan tyde på en forkert monteret bit.**
13. **Vær opmærksom på overfræserbittens rotationsretning og fremføringsretningen.**
14. **Lad ikke maskinen ligge og køre. Brug kun maskinen, når den holdes i hænderne.**
15. **Sluk altid, og vent, til overfræserbitten er helt stoppet, før maskinen fjernes fra arbejdsområdet.**
16. **Undlad at berøre overfræserbitten umiddelbart efter brugen. Den kan være meget varm og kan forårsage forbrændinger.**
17. **Udsæt ikke ved skødesløshed maskinens fod for fortynder, benzin, olie eller lignende. De kan forårsage revner i maskinens fod.**
18. **Nogle materialer indeholder kemikalier, der kan være giftige. Sørg omhyggeligt for at undgå indånding af støv samt kontakt med huden. Følg materialeleverandørens sikkerhedsdata.**
19. **Anvend altid den/det korrekte støvmaske/åndedrætsværn til det materiale og den anvendelse, du arbejder med.**
20. **Placer maskinen på et stabilt område.** Ellers kan der forekomme en faldulykke, der forårsager personskade.

21. **Hold ledningen væk fra foden eller andre genstande.** I modsat fald kan en sammenfiltret ledning forårsage en faldulykke og resultere i personskade.

GEM DISSE FORSKRIFTER.

⚠ADVARSEL: LAD IKKE bekvemmelighed eller kendskab til produktet (opnået gennem gentagen brug) forhindre, at sikkerhedsforskrifterne for produktet nøje overholdes. MISBRUG eller for sømmelse af at følge de i denne brugsvejledning givne sikkerhedsforskrifter kan medføre alvorlig personskade.

FUNKTIONSBESKRIVELSE

⚠FORSIGTIG: Kontrollér altid, at maskinen er slået fra, og at netstikket er trukket ud, før der udføres justeringer, eller funktioner kontrolleres på maskinen.

Justering af skæredybden

Anbring maskinen på en flad overflade. Løsn låsehåndtaget og sænk maskinens krop, indtil overfræserbitten lige berører den flade overflade. Tilspænd låsehåndtaget for at låse maskinens krop. Mens du trykker på knappen til hurtig fremføring, skal du flytte stopskruen op eller ned, indtil den ønskede skæredybde er opnået. Der kan opnås små dybdejusteringer ved at dreje stopskruen (1,5 mm (1/16") pr. omdrejning).

► **Fig.1:** 1. Nylonmøtrik 2. Stopskruer 3. Knap til hurtig fremføring 4. Sekskantbolt til justering 5. Stopblok 6. Låsehåndtag

⚠FORSIGTIG: Skæredybden må ikke være større end 20 mm (13/16") pr. arbejdsområde med skæring af riller. For ekstra dybe rilleskæringer skal der foretages to eller tre arbejdsområder med stadigt dybere overfræserbitindstillinger.

Nylonmøtrik

For maskiner uden knop

Den øverste grænse for maskinens kabinet kan justeres ved at dreje nylonmøtrikken. Sænk ikke nylonmøtrikken for langt ned. Overfræserbitten vil stikke ud på farlig vis.

For maskiner med knop

Den øverste grænse for maskinens krop kan justeres ved at dreje på knoppen. Når spidsen af overfræserbitten trækkes mere tilbage end nødvendigt i forhold til grundpladens overflade, drejes knoppen for at sænke den øverste grænse.

► **Fig.2:** 1. Knop

⚠️FORSIGTIG: Eftersom overdreven skæring kan medføre overbelastning af motoren eller problemer med at kontrollere maskinen, må skæredybden ikke være større end 20 mm (13/16") pr. arbejdsplas ved skæring af riller. Hvis du vil skære riller, som er dybere end 20 mm (13/16"), skal du foretage flere arbejdsplas med stadigt dybere overfræserbitindstillinger.

⚠️FORSIGTIG: Sænk ikke knoppen for langt ned. Overfræserbitten vil stikke ud på farlig vis.

Stopblok

Da stopblokken har tre sekskantbolte til justering, der hæver eller sænker 0,8 mm pr. omdrejning, kan du nemt opnå tre forskellige skæredybder uden at justere stopskruen igen.

► **Fig.3:** 1. Stopskruer 2. Sekskantbolt til justering 3. Stopblok

Juster den nederste sekskantbolt til justering for at opnå den dybeste skæredybde efter metoden "Justering af skæredybden".

Juster de to tilbageværende sekskantbolte til justering for at opnå mindre skæredybder. Højdeforskellene på disse sekskantbolte til justering er lige med forskellene i skæredybde. For at justere sekskantboltene til justering skal du dreje sekskantboltene til justering med en skruetrækker eller skruenøgle. Stopblokken er også praktisk til at foretage tre arbejdsplas med gradvist dybere bitindstillinger ved skæring af dybe riller.

Afbryderfunktion

⚠️FORSIGTIG: Kontroller altid, at der er slukket for maskinen, før maskinen sættes i stikkontakten.

⚠️FORSIGTIG: Sørg for, at aksellåsen er frigivet, før der tændes ved afbryderen.

Flyt afbryderhåndtaget til I-positionen for at starte maskinen.

Flyt afbryderhåndtaget til O-positionen for at stoppe maskinen.

► **Fig.4:** 1. Afbryderhåndtag

⚠️FORSIGTIG: Hold godt fast i maskinen, når der tændes for maskinen, for at modstå reaktionen.

Elektronisk funktion

Maskinen er udstyret med elektroniske funktioner for nem betjening.

Indikatorlampe

► **Fig.5:** 1. Indikatorlampe

Indikatorlampen lyser grønt, når maskinen er tilsluttet. Hvis indikatorlampen ikke lyser, kan netledningen eller kontrolløren være defekt. Hvis indikatorlampen er tændt, men maskinen ikke starter, selvom der er tændt for maskinen, kan kulbørsterne være slidte, eller kontrolløren, motoren eller TÆND/SLUK-knappen kan være defekt.

Sikring mod utilsigtet start

Maskinen starter ikke med afbryderhåndtaget i I-positionen, selv når maskinen er tilsluttet.

I så fald blinker indikatorlampen rødt og viser, at siksingsenheden mod utilsigtet start er aktiveret.

For at annullere sikringen mod utilsigtet start skal du flytte afbryderhåndtaget til O-positionen.

Funktion til blød start

Funktionen til blød start minimerer opstartsstød og får maskinen til at starte blødt.

SAMLING

⚠️FORSIGTIG: Sørg altid for, at maskinen er slukket og taget ud af forbindelse, inden der udføres nogen form for arbejde på maskinen.

Montering eller afmontering af overfræserbitten

Indsæt overfræserbitten helt ind i patronkeglen. Tryk på aksellåsen for at holde akslen stille, og brug skruenøglen til at tilspænde patronmøtrikken forsvarligt. Når du bruger overfræserbits med mindre skaftdiameter, skal du først indsætte den egnede indsatspatron i patronkeglen og derefter montere overfræserbitten.

Følg monteringsproceduren i omvendt rækkefølge for at afmontere overfræserbitten.

► **Fig.6:** 1. Aksellås 2. Skruenøgle 3. Løsn 4. Tilspænd

⚠️FORSIGTIG: Monter overfræserbitten fast. Brug altid kun den medfølgende skruenøgle med maskinen. En løs eller overstrammet overfræserbit kan være farlig.

BEMÆRKNING: Undlad at tilspænde patronmøtrikken uden at indsætte en overfræserbit eller at montere bits med små aksler uden at bruge en patronmuffe. Begge dele kan medføre, at patronkeglen går i stykker.

ANVENDELSE

⚠️FORSIGTIG: Før brug skal du altid sørge for, at maskinens kabinet automatisk løftes til den øverste grænse, og at overfræserbitten ikke stikker frem fra maskinens fod, når låsehåndtaget er løst.

⚠️FORSIGTIG: Kontroller altid før brug, at spånskærmen er monteret korrekt.

⚠️FORSIGTIG: Brug altid begge greb, og hold godt fast i maskinen med begge greb under anvendelse.

► Fig.7: 1. Spånskærm

Placer maskinens fod på det arbejdsemne, der skal skæres i, uden at overfræserbitten har kontakt. Tænd derefter for maskinen, og vent, til overfræserbitten har nået fuld hastighed. Sænk maskinens kabinet, og flyt maskinen fremad over arbejdsemnets overflade, idet maskinens fod holdes plant, og der flyttes fremad med jævn hastighed, indtil skæret er færdigt.

Ved skæring af kanter, skal arbejdsemnets overflade være på venstre side af overfræserbitten i fremføringsretningen.

- Fig.8: 1. Arbejdsemne 2. Bittens omdrejningsretning 3. Set fra toppen af maskinen 4. Fremføringsretning

BEMÆRK: Hvis maskinen føres fremad for hurtigt, kan det medføre et dårligt snit eller beskadigelse af overfræserbitten eller motoren. Hvis maskinen flyttes for langsomt fremad, kan snittet blive brændt og ødelagt. Den korrekte fremføringshastighed afhænger af overfræserbittens størrelse, typen af arbejdsemne og skæredybden.

Før du starter snittet i det faktiske arbejdsemne, tilrådes det at foretage et prøvesnit i et stykke affaldstræ. Dette viser, nøjagtigt hvordan snittet vil se ud, og du kan kontrollere dimensionerne.

BEMÆRK: Ved brug af det lige styr eller tilskæringsstyret skal du sørge for at montere det i højre side i fremføringsretningen. Dette hjælper med at holde det justeret i forhold til siden af arbejdsemnet.

- Fig.9: 1. Fremføringsretning 2. Bittens omdrejningsretning 3. Arbejdsemne 4. Lige styr

Lige styr

Det lige styr anvendes effektivt til lige snit i forbindelse med skråfasning eller skæring af riller.

Lige styr (type A)

Ekstraudstyr

Monter det lige styr på styrholderen ved hjælp af fingerskruen (B). Indsæt styrholderen i hullerne på maskinens fod, og tilspænd fingerskruen (A). Hvis du vil justere afstanden mellem overfræserbitten og det lige styr, skal du løsne fingerskruen (B) og dreje finjusteringsskruen. Tilspænd fingerskruen (B) ved den ønskede afstand for at holde det lige styr på plads.

- Fig.10: 1. Styrholder 2. Finjusteringsskrue 3. Lige styr

Lige styr (type B)

Ekstraudstyr

Indsæt det lige styr i hullerne på maskinens fod, og tilspænd fingerskruen. Hvis du vil justere afstanden mellem overfræserbitten og det lige styr, skal du løsne fingerskruen. Tilspænd fingerskruen ved den ønskede afstand for at holde det lige styr på plads.

- Fig.11: 1. Fingerskrue 2. Lige styr

Ved skæring skal du flytte maskinen, så det lige styr flugter med siden af arbejdsemnet.

Der kan skabes et bredere lige styr med de ønskede dimensioner ved at bruge de praktiske huller i styret til at fastgøre to ekstra stykker træ.

Ved brug af en overfræserbit med stor diameter skal der fastgøres træstykker til det lige styr med en tykkelse på mere end 15 mm (5/8") for at forhindre, at overfræserbitten rammer det lige styr.

- Fig.12: 1. Lige styr 2. Træ

A=55 mm (2-3/16")

B=55 mm (2-3/16")

C=15 mm (5/8") eller tykkere

Skabelonstyr

Ekstraudstyr

Skabelonstyret skaber en muffe, som overfræserbitten går igennem, så overfræseren kan bruges sammen med skabelonmønstre.

- Fig.13

1. Løsn skruerne på foden, indsæt skabelonstyret og tilspænd derefter skruerne.

- Fig.14: 1. Skrue 2. Skabelonstyr

2. Fastgør skabelonen til arbejdsemnet. Placer maskinen på skabelonen, og flyt maskinen, så skabelonstyret glider langs siden af skabelonen.

- Fig.15: 1. Overfræserbit 2. Fod 3. Grundplade 4. Skabelon 5. Arbejdsemne 6. Skabelonstyr

BEMÆRK: Arbejdsemnet skæres i en lidt anden størrelse end skabelonen. Tag højde for afstanden (X) mellem overfræserbitten og ydersiden af skabelonstyret. Afstanden (X) kan beregnes ved hjælp af følgende ligning:

Afstand (X) = (skabelonstyrets udvendige diameter - overfræserbittens diameter) / 2

Tilskæringsstyr

Tilskæring, kurvede snit i finer til møbler og lignende er let at foretage med tilskæringsstyret. Styrrullen rider på kurven og sikrer et fint snit.

Tilskæringsstyr (type A)

Ekstraudstyr

Monter tilskæringsstyret på styrholderen ved hjælp af fingerskruen (B). Indsæt styrholderen i hullerne på maskinens fod, og tilspænd fingerskruen (A). Hvis du vil justere afstanden mellem overfræserbitten og tilskæringsstyret, skal du løsne fingerskruen (B) og dreje finjusteringsskruen. Ved justering op eller ned af styrrullen skal du løsne fingerskruen (C). Tilspænd alle fingerskruer fast efter justeringen.

- Fig.16: 1. Styrholder 2. Finjusteringsskrue 3. Tilskæringsstyr 4. Styrrulle

Tilskæringsstyr (type B)

Ekstraudstyr

Monter tilskæringsstyret på det lige styr ved hjælp af fingerskruerne (B). Indsæt det lige styr i hullerne på maskinens fod, og tilspænd fingerskruen (A). Hvis du vil justere afstanden mellem overfræserbitten og tilskæringsstyret, skal du løsne fingerskruerne (B). Når styrrullen justeres op eller ned, løsnes fingerskruen (C). Tilspænd alle fingerskruerne forsvarligt efter justering.

► **Fig.17:** 1. Styrrulle 2. Tilskæringsstyr

Ved skæring skal du flytte maskinen, så styrrullen rider på siden af arbejdsemnet.

► **Fig.18:** 1. Overfræserbit 2. Styrrulle 3. Arbejdsemne

Støvdæksel (til maskiner med knop)

Ekstraudstyr

Støvdækslet forhindrer, at savsmuld suges ind i maskinen i den omvendte position. Monter støvdækslet som vist på illustrationen, når maskinen anvendes med en fod til overfræser, som kan fås på markedet.

Afmonter det, når maskinen anvendes i den normale position.

► **Fig.19:** 1. Skrue 2. Støvdæksel

Mellemstykke (til maskiner med knop)

Ekstraudstyr

Mellemstykket forhindrer overfræserbitten i at falde ned i patronen, når overfræserbitten udskiftes i omvendt position.

Indsæt mellemstykket som illustreret, når du anvender maskinen med en fod til overfræser, der er tilgængelig på markedet.

► **Fig.20:** 1. Patronmøtrik 2. Patronkegle
3. Mellemstykke

Fjernelse af støv

Ekstraudstyr

Brug støvmundstykket til at fjerne støv.

► **Fig.21:** 1. Støvmundstykke

Montering af støvmundstykket

► **Fig.22:** 1. Støtte 2. Låsehåndtag

1. Løft låsehåndtaget på støvmundstykket.
2. Anbring støvmundstykket på maskinens fod, så dets top bliver fanget i kroge på maskinens fod.
3. Indsæt støtterne på støvmundstykket ind i kroge på forsiden af maskinens fod.
4. Skub låsehåndtaget ned på maskinens fod.
5. Tilsæt en støvsuger til støvmundstykket.

► **Fig.23**

Afmontering af støvmundstykket

1. Løft låsehåndtaget.
2. Træk støvmundstykket ud af maskinens fod, mens du holder støtterne mellem tommel- og pegefinger.

VEDLIGEHOLDELSE

⚠FORSIGTIG: Kontrollér altid, at der er slukket for maskinen, og at netstikket er trukket ud, før der udføres eftersyn eller vedligeholdelse.

BEMÆRKNING: Anvend aldrig benzin, rensbenzin, fortynder, alkohol og lignende. Det kan medføre misfarvning, deformation eller revner.

Udskiftning af kulbørster

► **Fig.24:** 1. Slidgrænse

Kontrollér kulbørsterne med regelmæssige mellemrum. Udskift dem, når de er slidt ned til slidgrænsen. Hold kulbørsterne rene og i stand til frit at glide ind i holderne. Begge kulbørster skal udskiftes parvist samtidigt. Anvend kun identiske kulbørster.

1. Benyt en skruetrækker til at afmontere kulholderdækslerne.
2. Tag de slidte kulbørster ud, isæt de nye, og fastgør derefter kulholderdækslerne.

► **Fig.25:** 1. Kulholderdæksel

For maskiner med knop

⚠FORSIGTIG: Sørg for at montere knoppen igen, efter at du har indsat en ny kulbørste.

Frigør låsehåndtaget, og fjern knoppen ved at dreje den i retningen mod uret.

► **Fig.26:** 1. Knop

BEMÆRK: Trykfjederen kommer ud af knoppen, så pas på, at trykfjederen ikke bliver væk.

For at opretholde produktets SIKKERHED og PÅLIDELIGHED må reparation, vedligeholdelse eller justering kun udføres af et autoriseret Makita servicecenter eller fabrikksservicecenter med anvendelse af Makita reservedele.

EKSTRAUDSTYR

Overfræserbits

Lige bit

► Fig.27

Enhed: mm

D	A	L1	L2
6	20	50	15
1/4"			
12	12	60	30
1/2"			
12	10	60	25
1/2"			
8	8	60	25
6			
6	8	50	18
1/4"			
6	6	50	18
1/4"			

“U”-rillebit

► Fig.28

Enhed: mm

D	A	L1	L2	R
6	6	50	18	3

“V”-rillebit

► Fig.29

Enhed: mm

D	A	L1	L2	θ
1/4"	20	50	15	90°

Gratningsbit

► Fig.30

Enhed: mm

D	A	L1	L2	θ
8	14,5	55	10	35°
3/8"				
8	14,5	55	14,5	23°
3/8"				
8	12	50	9	30°
3/8"				

Bit til udglatning af borepunkt

► Fig.31

Enhed: mm

D	A	L1	L2	L3
12	12	60	20	35
8	8	60	20	35
6	6	60	18	28

Bit til dobbelt udglatning af borepunkt

► Fig.32

Enhed: mm

D	A	L1	L2	L3	L4
6	6	70	40	12	14

Notskærer

► Fig.33

Enhed: mm

D	A	L1	L2
12	30	55	6
1/2"			
12	30	55	3
1/2"			

Bit til sammenføjning af brædder

► Fig.34

Enhed: mm

D	A1	A2	L1	L2	L3
12	38	27	61	4	20

Bit til afrunding af hjørner

► Fig.35

Enhed: mm

D	A1	A2	L1	L2	L3	R
6	25	9	48	13	5	8
6	20	8	45	10	4	4

Skråfasningsbit

► Fig.36

Enhed: mm

D	A	L1	L2	L3	θ
6	23	46	11	6	30°
6	20	50	13	5	45°
6	20	49	14	2	60°

► Fig.37

Enhed: mm

D	A1	A2	L1	L2	L3	C
12	30	20	55	12	20	4
1/2"						

Bertlingsbit

► Fig.38

Enhed: mm

D	A1	A2	L1	L2	L3	R
12	30	20	55	12	20	4
1/2"						

Bugtbertlingsbit

► Fig.39

Enhed: mm

D	A	L1	L2	R
6	20	43	8	4
6	25	48	13	8

Bit til udglatning med kugleleje

► Fig.40

Enhed: mm

D	A	L1	L2
6	10	50	20
1/4"			

Bit til afrunding af hjørner med kugleleje

► Fig.41

Enhed: mm

D	A1	A2	L1	L2	L3	R
6	15	8	37	7	3,5	3
6	21	8	40	10	3,5	6
1/4"	21	8	40	10	3,5	6

Bit til skråfasning med kugleleje

► Fig.42

Enhed: mm

D	A1	A2	L1	L2	θ
6	26	8	42	12	45°
1/4"					
6	20	8	41	11	60°

Bit til bertling med kugleleje

► Fig.43

Enhed: mm

D	A1	A2	A3	L1	L2	L3	R
6	20	12	8	40	10	5,5	4
6	26	12	8	42	12	4,5	7

Bit til bugtbertling med kugleleje

► Fig.44

Enhed: mm

D	A1	A2	A3	A4	L1	L2	L3	R
6	20	18	12	8	40	10	5,5	3
6	26	22	12	8	42	12	5	5

Antikkarnisbit med kugleleje

► Fig.45

Enhed: mm

D	A1	A2	L1	L2	L3	R1	R2
6	20	8	40	10	4,5	2,5	4,5
6	26	8	42	12	4,5	3	6

Dobbelt rundhjørnebit med kugleleje

► Fig.46

Enhed: mm

D	A1	A2	A3	L1	L2	L3	R
12	35	27	19	70	11	3,5	3
1/2"							

SPECIFIKĀCIJAS

Modelis:	M3602
Ietvara spīļpatronas iekšējais diametrs	12 mm vai 1/2"
Iezāģējuma dziļums	0–60 mm
Ātrums bez slodzes	22 000 min ⁻¹
Kopējais augstums	300 mm
Tīrsvars	5,7 kg
Drošības klase	II/III

- Nepārtrauktās izpētes un izstrādes programmas dēļ šeit uzrādītās specifikācijas var tikt mainītas bez brīdinājuma.
- Atkarībā no valsts specifikācijas var atšķirties.
- Svārs atbilstīgi EPTA procedūrai 01/2014

Paredzētā lietošana

Šis darbarīks paredzēts koka, plastmasas un tamlīdzīgu materiālu līdzenai apzāģēšanai un profilēšanai.

Barošana

Darbarīks jāpievieno tikai tādām barošanas avotam, kura spriegums atbilst uz darbarīka tehnisko datu plāksnītes norādītajam, un darbarīku var izmantot tikai ar vienfāzes maiņstrāvas barošanu. Darbarīks aprīkots ar divkāro izolāciju, tādēļ to var izmantot arī, pievienojot kontaktligzdai bez iezemējuma vada.

Trokšņa līmenis

Tipiskais A svērtais trokšņa līmenis noteikts saskaņā ar EN62841-2-17:

Skaņas spiediena līmeni ($L_{p(A)}$): 84 dB (A)

Skaņas jaudas līmeni (L_{WA}): 95 dB (A)

Mainīgums (K): 3 dB (A)

PIEZĪME: Paziņotā trokšņa emisijas vērtība noteikta atbilstoši standarta pārbaudes metodei, un to var izmantot, lai salīdzinātu vienu darbarīku ar citu.

PIEZĪME: Paziņoto trokšņa emisijas vērtību arī var izmantot iedarbības sākotnējā novērtējumā.

▲BRĪDINĀJUMS: Lietojiet ausu aizsargus.

▲BRĪDINĀJUMS: Trokšņa emisija patiesos darba apstākļos var atšķirties no paziņotās vērtības atkarībā no darbarīka izmantošanas veida un jo īpaši atkarībā no apstrādājamā materiāla veida.

▲BRĪDINĀJUMS: Lai aizsargātu lietotāju, nosakiet drošības pasākumus, kas pamatoti ar iedarbību reālos darba apstākļos (ņemot vērā visus ekspluatācijas cikla posmus, piemēram, laiku, kamēr darbarīks ir izslēgts un kad darbojas tukšgaitā, kā arī palaides laiku).

Vibrācija

Vibrācijas kopējā vērtība (trīsasu vektora summa) noteikta atbilstoši EN62841-2-17:

Darba režīms: rievu iegriešana vidēja blīvuma kokšķiedru plātnē (MDF)

Vibrācijas izmete (a_{h1}): 3,1 m/s²

Mainīgums (K): 1,5 m/s²

PIEZĪME: Paziņotā kopējā vibrācijas vērtība noteikta atbilstoši standarta pārbaudes metodei, un to var izmantot, lai salīdzinātu vienu darbarīku ar citu.

PIEZĪME: Paziņoto kopējo vibrācijas vērtību arī var izmantot iedarbības sākotnējā novērtējumā.

▲BRĪDINĀJUMS: Vibrācijas emisija patiesos darba apstākļos var atšķirties no paziņotās vērtības atkarībā no darbarīka izmantošanas veida un jo īpaši atkarībā no apstrādājamā materiāla veida.

▲BRĪDINĀJUMS: Lai aizsargātu lietotāju, nosakiet drošības pasākumus, kas pamatoti ar iedarbību reālos darba apstākļos (ņemot vērā visus ekspluatācijas cikla posmus, piemēram, laiku, kamēr darbarīks ir izslēgts un kad darbojas tukšgaitā, kā arī palaides laiku).

EK atbilstības deklarācija

Tikai Eiropas valstīm

EK atbilstības deklarācija šajā lietošanas rokasgrāmatā ir iekļauta kā A pielikums.

Vispārīgi elektrisko darbarīku drošības brīdinājumi

▲BRĪDINĀJUMS: Izlasiet visus drošības brīdinājumus, instrukcijas, apskatiet ilustrācijas un tehniskos datus, kas iekļauti mehānizētā darbarīka komplektācijā. Ja netiek ievēroti visi tālāk minētie noteikumi, var tikt izraisīta elektrotrauma, notikt aizdegšanās un/vai rasties smagas traumas.

Glabājiet visus brīdinājumus un norādījumus, lai varētu tajos ieskatīties turpmāk.

Termins „elektrisks darbarīks” brīdinājumus attiecas uz tādu elektrisko darbarīku, ko darbina ar elektrību (ar vadu), vai tādu, ko darbina ar akumulatoru (bez vada).

Drošības brīdinājumi frēzmašīnas lietošanai

1. Mehānizēto darbarīku turiet tikai aiz izolētajām satveršanas virsmām, jo griezējs var saskarties ar savu kabeli. Sagriežot vadu, kurā ir strāva, mehānizētā darbarīka ārējās metāla virsmas var vadīt strāvu un radīt elektriskās strāvas trieciena risku.
2. Ar skavām vai citā praktiskā veidā nostipriniet apstrādājamo materiālu un atbalstiet pret stabilu platformu. Turot materiālu ar roku vai pie ķermeņa, tas ir nestabilā stāvoklī: jūs varat zaudēt kontroli pār to.
3. Griezēja uzgaļa kātam ir jāsakrīt ar ietvara spļipatronu.
4. Atļauts izmantot tikai tādus uzgaļus, kuru maksimālais lietošanas ātrums ir vismaz vienlīdzīgs ar maksimālo ātrumu, kas norādīts uz darbarīka.
5. Ilgstoši strādājot, lietojiet dzirdes aizsarglīdzekļus.
6. Ar frēzmašīnas uzgaļiem rīkojieties ļoti uzmanīgi.
7. Pirms sākat darbu, uzmanīgi pārbaudiet, vai frēzmašīnas uzgalim nav plaisu vai bojājumu. Ieplaisājušu vai bojātu uzgali nekavējoties nomainiet.
8. Negrieziet naglas. Pirms sākat darbu, pārbaudiet, vai apstrādājamajā materiālā nav naglu, un tās izņemiet.
9. Darbarīku stingri turiet ar abām rokām.
10. Netuviniet rokas rotējošām daļām.
11. Pirms slēdža pārslēgšanas ieslēgtā stāvoklī pārliecinieties, ka frēzmašīnas uzgalis nepieskaras apstrādājamajam materiālam.
12. Pirms darbarīku lietojat materiāla apstrādei, īslaicīgi darbiniet to bez slodzes. Pievērsiet uzmanību vibrācijai vai svārstībām, jo tas var liecināt par nepareizi uzstādītu uzgali.
13. Pievērsiet uzmanību frēzmašīnas uzgaļa griešanās virzienam un padeves virzienam.
14. Neatstājiet darbarīku ieslēgtu. Darbiniet darbarīku vienīgi tad, ja turat to rokās.
15. Pirms darbarīka izņemšanas no apstrādājamā materiāla vienmēr izslēdziet darbarīku un nogaidiet, līdz frēzmašīnas uzgalis pilnībā apstājas.
16. Nepieskarieties frēzmašīnas uzgalim tūlīt pēc darba izpildes; tas var būt ļoti karsts un apdedzināt ādu.
17. Sargieties nosmērēt darbarīka pamatni ar šķīdinātāju, benzīnu, eļļu vai tamlīdzīgām vielām. Tas var radīt plaisas darbarīka pamatnē.
18. Daži materiāli satur ķīmiskas vielas, kas var būt toksiskas. Izvairieties no putekļu ieelpošanas un to nokļūšanas uz ādas. Ievērojiet materiāla piegādātāja drošības datus.
19. Vienmēr izmantojiet materiālam un konkrētam gadījumam piemērotu putekļu masku/respiratoru.
20. Novietojiet darbarīku uz stingras virsmas. Pretējā gadījumā tas var nokrist un izraisīt traumas.

21. Raugiet, lai vads neatrastos pie jūsu kājām vai citiem priekšmetiem. Pretējā gadījumā vads var sapīties, jūs varat aizķerties un nokrist, un gūt traumas.

SAGLABĀJIET ŠOS NORĀDĪJUMUS.

▲BRĪDINĀJUMS: NEPIEĻAUJIET to, ka labu iemaņu vai izstrādājuma labas pārzināšanas (darbarīku atkārtoti ekspluatējot) rezultātā vairs stingri neievērojāt šī izstrādājuma drošības noteikumus. NEPAREIZI LIETOJOT darbarīku vai neievērojot šajā instrukciju rokasgrāmatā minētos drošības noteikumus, var tikt gūtas smagas traumas.

FUNKCIJU APRAKSTS

▲UZMANĪBU: Pirms regulējat vai pārbaudāt darbarīka darbību, vienmēr pārliecinieties, ka darbarīks ir izslēgts un atvienots no barošanas.

Frēzēšanas dziļuma regulēšana

Novietojiet darbarīku uz līdzenas virsmas. Atbrīvojiet vaļīgāk bloķēšanas sviru un nolaidiet darbarīka korpusu, līdz frēzes uzgalis pieskaras plakanajai virsmai. Pievelciet bloķēšanas sviru, lai nobloķētu darbarīka korpusu. Turot nospiestu ātrās padeves pogu, pabīdīet aiztura stieni uz augšu vai uz leju, līdz sasniedzat vēlamu frēzēšanas dziļumu. Ļoti precīzi dziļumu var noregulēt, pagriežot aiztura stieni (1,5 mm (1/16") apgrieziena).

- **Att.1:** 1. Neilona uzgrieznis 2. Aiztura stienis 3. Ātrās padeves poga 4. Regulēšanas sešstūru galvas skrūve 5. Aiztura bloks 6. Bloķēšanas svira

▲UZMANĪBU: Griežot rievās, frēzēšanas dziļums vienā reizē nedrīkst pārsniegt 20 mm (13/16 collas). Ja vēlaties frēzēt īpaši dziļas rievās, frēzējiet divas vai trīs reizes, pakāpeniski palielinot frēzmašīnas uzgaļa dziļuma iestatījumus.

Neilona uzgrieznis

Darbarīkam bez roktura

Darbarīka augšējo robežu var noregulēt, pagriežot neilona uzgriezni. Neilona uzgriezni nenolaidiet pārāk zemu. Frēzmašīnas uzgalis bīstami izvirsīsies uz āru.

Darbarīkam ar rokturi

Pagriežot rokturi, var noregulēt darbarīka korpusa augšējo robežu. Ja frēzes uzgaļa gals ievilkts tālāk, nekā nepieciešams attiecībā pret pamatnes plāksnes virsmu, pagrieziet rokturi, lai pazeminātu augšējo robežu.

- **Att.2:** 1. Poga

⚠UZMANĪBU: Tā kā pārmērīgi smaga griešana var izraisīt dzinēja pārslodzi vai apgrūtināt darbarīka vadību, griežot rievās, griešanas dziļums vienā reizē nedrīkst pārsniegt 20 mm (13/16 collas). Ja rievās jāgriež dziļāk par 20 mm (13/16 collām), dariet to vairākas reizes, aizvien palielinot frēzmašīnas uzgaļa dziļuma iestatījumus.

⚠UZMANĪBU: Nenolaidiet rokturi pārāk zemu. Frēzmašīnas uzgalis bīstami izvirsīsies uz āru.

Aiztura bloks

Aiztura blokam ir trīs regulēšanas sešstūru galvas skrūves, kas ar katru apgriezienu paaugstinās vai pazemina par 0,8 mm, tāpēc viegli var noregulēt trīs atšķirīgus frēzēšanas dziļumus bez atkārtotas aiztura stieņa regulēšanas.

► **Att.3:** 1. Aiztura stienis 2. Regulēšanas sešstūru galvas skrūve 3. Aiztura bloks

Noregulējiet zemāko regulēšanas sešstūru galvas skrūvi, lai iegūtu vislielāko frēzēšanas dziļumu, ievērojot sadaļā „Frēzēšanas dziļuma regulēšana” noteikto metodi.

Noregulējiet divas pārējās regulēšanas sešstūru galvas skrūves, lai iegūtu seklāku frēzēšanas dziļumu. Šo regulēšanas sešstūru galvas skrūvju augstuma atšķirības ir vienādas ar frēzēšanas dziļuma atšķirībām. Lai regulētu regulēšanas sešstūru galvas skrūves, pagrieziet tās ar skrūvgriezi vai uzgriežnatslēgu. Aiztura bloks ir noderīgs, ja, frēzējot dziļās rievās, frēzējat trīs reizes, pakāpeniski palielinot uzgaļa dziļuma uzstādījumus.

Slēdža darbība

⚠UZMANĪBU: Pirms barošanas avotam pievienojat darbarīku, pārbaudiet, vai tas ir izslēgts.

⚠UZMANĪBU: Pirms slēdža ieslēgšanas pārliecinieties, ka vārpstas bloķētājs ir atlaists.

Lai ieslēgtu darbarīku, slēdža sviru pārbīdīet pozīcijā I (ieslēgts).

Lai darbarīku apturētu, slēdža sviru pārbīdīet pozīcijā O (izslēgts).

► **Att.4:** 1. Slēdža svira

⚠UZMANĪBU: Izslēdzot darbarīku, turiet to stingri, lai pārvarētu tā reakciju.

Elektronika

Lai atvieglotu lietošanu, darbarīks ir aprīkots ar elektroniskām funkcijām.

Indikatora lampiņa

► **Att.5:** 1. Indikatora lampiņa

Zaļās krāsas gaismas indikatora lampiņa iedegas, kad darbarīks tiek pievienots barošanas avotam. Ja indikatora lampiņa neiedegas, var būt bojāts barošanas kabelis vai vadības ierīce. Indikatora lampiņa deg, taču darbarīks nesāk darboties, pat ja tas ir ieslēgts; var būt nolietojušās ogles sukuks, vai arī var būt bojāta vadības ierīce, motors vai slēdzis ON/OFF (iesl./izsl.).

Aizsardzība pret nejaušu darbības atsākšanu

Darbarīks neieslēdzas, kad slēdža svira atrodas pozīcijā I, pat ja ir pievienots barošanas avots.

Šajā brīdī indikatora lampiņa mirgo sarkanā krāsā, norādot, ka darbojas drošības mehānisms pret nejaušu darbības atsākšanu.

Lai izslēgtu mehānismu pret nejaušu darbības atsākšanu, pārbīdīet slēdža sviru pozīcijā O.

Laidenas ieslēgšanas funkcija

Laidena ieslēgšana minimizē iedarbināšanas triecienus, un darbarīks uzsāk darbību vienmērīgi.

MONTĀŽA

⚠UZMANĪBU: Vienmēr pārliecinieties, ka darbarīks ir izslēgts un atvienots no barošanas, pirms veicat jebkādas darbības ar darbarīku.

Frēzmašīnas uzgaļa uzstādīšana vai noņemšana

Līdz galam ievietojiet frēzes uzgali ietvara konusā. Nospiediet vārpstas bloķētāju, lai vārpsta būtu nekustīga, un ar uzgriežņu atslēgu stingri pieskrūvējiet ietvara uzgriezni. Ja izmantojat frēzes uzgaļus ar mazāku kāta diametru, vispirms ievietojiet attiecīgo ietvara uzmavu ietvara konusā un tad uzstādiat frēzes uzgali.

Lai frēzmašīnas uzgali noņemtu, iepriekš aprakstītās darbības izpildiet pretējā secībā.

► **Att.6:** 1. Vārpstas bloķētājs 2. Uzgriežņu atslēga 3. Atskrūvējiet vaļīgāk 4. Pielieciet

⚠UZMANĪBU: Frēzmašīnas uzgalis jānostiprina. Vienmēr izmantojiet tikai darbarīkam paredzēto uzgriežņu atslēgu. Vaļīgs vai pārāk cieši nostiprināts frēzmašīnas uzgalis var kļūt bīstams.

IEVĒRĪBAI: Nepielieciet ietvara uzgriezni, ja nav ielikts frēzmašīnas uzgalis, un neuzstādiat neliela kāta uzgaļus, ja neizmanto ietvara uzmavu. Ietvara konuss var salūzt.

EKSPLUATĀCIJA

⚠UZMANĪBU: Pirms ekspluatācijas vienmēr pārbaudiet, vai darbarīka korpusu automātiski paceļas līdz augšējai robežai un vai frēzmašīnas uzgalis nav izvirsījies no darbarīka pamatnes, ja bloķēšanas svira ir atlaista.

⚠UZMANĪBU: Pirms ekspluatācijas vienmēr pārbaudiet, vai skaidu deflektors ir uzstādīts pareizi.

⚠UZMANĪBU: Vienmēr izmantojiet abus rokturus un darba laikā cieši turiet darbarīku aiz abiem rokturiem.

► Att.7: 1. Skaidu deflektors

Darbarīka pamatni uzstādiet uz apstrādājamā materiāla, frēzmašīnas uzgalim nepieskaroties materiālam. Tad ieslēdziet darbarīku un nogaidiet, līdz frēzmašīnas uzgalis sasniedz pilnu ātrumu. Nolaidiet darbarīka korpusu un darbarīku bīdīet uz priekšu pa apstrādājamā materiāla virsmu, turot tā pamatni vienā līmenī ar virsmu un vienmērīgi virzoties uz priekšu, līdz frēzēšanas pabeigta.

Apgrīžot malas, apstrādājamā materiāla virsmai jābūt no frēzmašīnas uzgaļa pa kreisi padeves virzienā.

- **Att.8:** 1. Apstrādājamais materiāls 2. Uzgaļa griešanās virziens 3. Skats no darbarīka augšpusēs 4. Padeves virziens

PIEZĪME: Ja darbarīku uz priekšu virza pārāk ātri, griezuma kvalitāte var būt sliktāka vai var sabojāt frēzmašīnas uzgali vai motoru. Ja darbarīku uz priekšu virza pārāk lēni, griezumu var sadedzināt vai sabojāt. Pareizs padeves ātrums ir atkarīgs no frēzmašīnas uzgaļa izmēra, apstrādājamā materiāla veida un griezuma dziļuma.

Pirms sākat griezt apstrādājamo materiālu, ieteicams veikt parauga griezumu, izmantojot koka atgriezuma gabalu. Tas precīzi parādīs, kā griezumam izskatīsies, kā arī dos iespēju pārbaudīt izmērus.

PIEZĪME: Izmantojot taisnā griezuma vadotni vai apgrīšanas vadotni, uzstādiet to tā, lai tā būtu labajā pusē, skatoties padeves virzienā. Tādējādi to var saglabāt vienā līmenī ar apstrādājamā materiāla malu.

- **Att.9:** 1. Padeves virziens 2. Uzgaļa griešanās virziens 3. Apstrādājamais materiāls 4. Taisnā griezuma vadotne

Taisnā griezuma vadotne

Taisnā griezuma vadotne ir noderīga taisniem griezumiem, veidojot nošķēlumus vai rievās.

Taisnā griezuma vadotne (A tips)

Papildu piederumi

Taisnā griezuma vadotni ar spārnskrūvi (B) pieskrūvējiet vadotnes turētājam. Vadotnes turētāju ievietojiet darbarīka pamatnes atverēs un pievelciet spārnskrūvi (A). Lai regulētu attālumu starp frēzmašīnas uzgali un taisnā griezuma vadotni, atlaidiet spārnskrūvi (B) un grieziet precīzās regulēšanas skrūvi. Vēlamajā atstatumā pievelciet spārnskrūvi (B), lai nostiprinātu taisnā griezuma vadotni.

- **Att.10:** 1. Vadotnes turētājs 2. Precīzās regulēšanas skrūve 3. Taisnā griezuma vadotne

Taisnā griezuma vadotne (B tips)

Papildu piederumi

Taisnā griezuma vadotni ievietojiet darbarīka pamatnes atverēs un pievelciet spārnskrūvi. Lai regulētu attālumu starp frēzmašīnas uzgali un taisnā griezuma vadotni, atlaidiet spārnskrūvi. Vēlamajā atstatumā pievelciet spārnskrūvi, lai nostiprinātu taisnā griezuma vadotni.

- **Att.11:** 1. Spārnskrūve 2. Taisnā griezuma vadotne

Griešanas procesā darbarīku pārvietojiet tā, lai taisnā griezuma vadotne pilnībā balstītos uz apstrādājamā materiāla malas.

Ir iespējams vēlamajiem izmēriem izveidot platāku taisnā griezuma vadotni, izmantojot ērtās vadotnes atveres, lai pieskrūvētu papildu koka gabalus. Ja izmantojat frēzmašīnas uzgali ar lielu diametru, koka gabalus piestipriniet taisnā griezuma vadotnei, kuras biežums ir vairāk nekā 15 mm (5/8 collas), lai frēzmašīnas uzgalis nesaskartos ar taisnā griezuma vadotni.

- **Att.12:** 1. Taisnā griezuma vadotne 2. Koks

A = 55 mm (2-3/16collas)

B = 55 mm (2-3/16collas)

C = 15 mm (5/8collas) vai biežāks

Šablona vadotne

Papildu piederumi

Šablona vadotnei ir uzdevums, caur kuru virzās frēzes uzgalis, tādējādi frēzmašīnu ir iespējams lietot ar šablona paraugiem.

- **Att.13**

1. Atskrūvējiet vaļīgāk pamatnes skrūves, ievietojiet šablona vadotni un tad pievelciet skrūves.

- **Att.14:** 1. Skrūves 2. Šablona vadotne

2. Pie apstrādājamā materiāla piestipriniet šablonu. Novietojiet darbarīku uz šablona un pārvietojiet to, šablona vadotnei slīdot gar šablona malu.

- **Att.15:** 1. Frēzes uzgalis 2. Pamatne 3. Pamatnes plāksne 4. Šablons 5. Apstrādājamais materiāls 6. Šablona vadotne

PIEZĪME: Apstrādājamais materiāls tiks izgriezts izmērā, kas nedaudz atšķiras no šablona. Paredziet attālumu (X) starp frēzes uzgali un šablona vadotnes ārpusi. Attālumu (X) var aprēķināt pēc šādas formulas:

Attālums (X) = (šablona vadotnes ārējais diametrs - frēzes uzgaļa diametrs)/2

Apgrīšanas vadotne

Ar apgrīšanas vadotni viegli veikt apgrīšanu, lokveida griezumam mēbeļu finierī un tamlīdzīgas darbības. Vadotnes veltnītis ripo pa izliekumu un nodrošina precīzu griezumu.

Apgrīšanas vadotne (A tips)

Papildu piederumi

Apgrīšanas vadotni ar spārnskrūvi (B) pieskrūvējiet vadotnes turētājam. Vadotnes turētāju ievietojiet darbarīka pamatnes atverēs un pievelciet spārnskrūvi (A). Lai regulētu attālumu starp frēzmašīnas uzgali un apgrīšanas vadotni, atlaidiet spārnskrūvi (B) un grieziet precīzās regulēšanas skrūvi. Regulējot vadotnes veltnīti augšup vai lejup, atlaidiet spārnskrūvi (C). Pēc regulēšanas stingri pieveliet visas spārnskrūves.

- **Att.16:** 1. Vadotnes turētājs 2. Precīzās regulēšanas skrūve 3. Apgrīšanas vadotne 4. Vadotnes veltnītis

Apgriešanas vadotne (B tips)

Papildu piederumi

Ar spārnskrūvēm (B) pieskrūvējiet apgriezēja mašīnas vadotni taisnā griezuma vadotnei. Ievietojiet taisnā griezuma vadotni darbarīka pamatnes atverēs un pievelciet spārnskrūvi (A). Lai noregulētu attālumu starp frēzes uzgali un apgriezēja mašīnas vadotni, atskrūvējiet vaļņgāk spārnskrūves (B). Regulējot vadotnes veltnīti augšup vai lejup, atskrūvējiet vaļņgāk spārnskrūvi (C). Pēc regulēšanas stingri pievelciet visas spārnskrūves.

► **Att.17:** 1. Vadotnes veltnītis 2. Apgriešanas vadotne

Griešanas procesā darbarīku ar vadotnes veltnīti virziet pa apstrādājamā materiāla sānu.

► **Att.18:** 1. Frēzmašīnas uzgalis 2. Vadotnes veltnītis 3. Apstrādājamais materiāls

Putekļu aizsargs (darbarīkam ar rokturi)

Papildu piederumi

Putekļu aizsargs neļauj zāģēšanas skaidām iekļūt darbarīkā, kad tas ir apvērsta stāvoklī.

Uzstādiet putekļu aizsargu, kā parādīts, kad izmantojat darbarīku ar atsevišķi nopērkamu frēzmašīnas statīvu. Noņemiet to, kad darbarīku izmantojat parastajā stāvoklī.

► **Att.19:** 1. Skrūve 2. Putekļu aizsargs

Starpliika (darbarīkam ar rokturi)

Papildu piederumi

Starpliika neļauj frēzes uzgalim iekrist spīļpatronā, mainot uzgali, kad darbarīks ir apvērsta stāvoklī.

Kad izmantojat darbarīku ar veikalā nopērkamu frēzmašīnas statīvu, ievietojiet starpliiku, kā parādīts attēlā.

► **Att.20:** 1. Ietvara uzgrieznis 2. Ietvara konuss 3. Starpliika

Putekļu savākšana

Papildu piederumi

Izmantojiet putekļsūcēja uzgali putekļu izsūkšanai.

► **Att.21:** 1. Putekļsūcēja uzgalis

Putekļsūcēja uzgaļa uzstādīšana

► **Att.22:** 1. Balsts 2. Bloķēšanas svira

1. Paceliet putekļsūcēja uzgaļa bloķēšanas sviru.
2. Novietojiet putekļsūcēja uzgali uz darbarīka pamatnes tā, lai tā augšējā daļa aizkārtos aiz darbarīka pamatnes āķa.
3. Ievietojiet putekļsūcēja uzgaļa balstus āķos darbarīka pamatnes priekšpusē.
4. Bloķēšanas sviru spiediet lejup uz darbarīka pamatni.
5. Pēc tam pievienojiet putekļsūcēju pie putekļsūcēja uzgaļa.

► **Att.23**

Putekļsūcēja uzgaļa noņemšana

1. Paceliet bloķēšanas sviru.
2. Izvelciet putekļsūcēja uzgali no darbarīka pamatnes, turot balstus starp iķšņi un citu pirkstu.

APKOPE

⚠️UZMANĪBU: Pirms veikt pārbaudi vai apkopi, vienmēr pārliecinieties, ka darbarīks ir izslēgts un atvienots no barošanas.

IEVĒRĪBAI: Nekad neizmantojiet gazoļīnu, benzīnu, atšķaidītāju, spirtu vai līdzīgus šķidrumus. Tas var radīt izbalēšanu, deformāciju vai plaisas.

Ogles suku nomaņa

► **Att.24:** 1. Robežas atzīme

Regulāri pārbaudiet ogles suku.

Kad ogles suku ir nolietojušās līdz robežas atzīmei, nomainiet tās. Turiet ogles suku tīras un pārbaudiet, vai tās brīvi ievietojas turētājos. Abas ogles suku jānomaina vienlaikus. Izmantojiet tikai identiskas ogles suku.

1. Lai noņemtu suku turētāja vāciņus, izmantojiet skrūvgriezi.

2. Izņemiet nolietojušās ogles suku, ievietojiet jaunas un nostipriniet suku turētāja vāciņus.

► **Att.25:** 1. Suku turētāja vāciņš

Darbarīkam ar rokturi

⚠️UZMANĪBU: Pēc jaunas ogles suku ievietošanas obligāti uzstādiet atpakaļ turētāju.

Atbrīvojiet bloķēšanas sviru un noņemiet rokturi, pagriežot to pretēji pulksteņrādītāju kustības virzienam.

► **Att.26:** 1. Poga

PIEZĪME: No roktura atbrīvosies piespiedējatspere, tāpēc sekojiet, lai tā nepazustu.

Lai saglabātu izstrādājuma DROŠU un UZTICAMU darbību, remontdarbus, apkopi un regulēšanu uzticiet veikt tikai Makita pilnvarotam vai rūpnīcas apkopes centram, un vienmēr izmantojiet tikai Makita rezerves daļas.

PAPILDU PIEDERUMI

Frēzmašīnas uzgaļi

Taisnā griezuma uzgaļis

► Att.27

Mērvienība: mm

D	A	L1	L2
6	20	50	15
1/4 collas			
12	12	60	30
1/2 collas			
12	10	60	25
1/2 collas			
8	8	60	25
6			
1/4 collas	8	50	18
6			
1/4 collas	6	50	18
6			

U formas rievu frēzēšanas uzgaļis

► Att.28

Mērvienība: mm

D	A	L1	L2	R
6	6	50	18	3

V formas rievu frēzēšanas uzgaļis

► Att.29

Mērvienība: mm

D	A	L1	L2	θ
1/4 collas	20	50	15	90°

Bezdeļģastes veida uzgaļis

► Att.30

Mērvienība: mm

D	A	L1	L2	θ
8	14,5	55	10	35°
3/8 collas				
8	14,5	55	14,5	23°
3/8 collas				
8	12	50	9	30°
3/8 collas				

Urbja smailes līdzenas apgriešanas uzgaļis

► Att.31

Mērvienība: mm

D	A	L1	L2	L3
12	12	60	20	35
8	8	60	20	35
6	6	60	18	28

Urbja smailes dubultas līdzenas apgriešanas uzgaļis

► Att.32

Mērvienība: mm

D	A	L1	L2	L3	L4
6	6	70	40	12	14

Rievu frēze

► Att.33

Mērvienība: mm

D	A	L1	L2
12	30	55	6
1/2 collas			
12	30	55	3
1/2 collas			

Dēļu savienošanas uzgaļis

► Att.34

Mērvienība: mm

D	A1	A2	L1	L2	L3
12	38	27	61	4	20

Stūra noapaļošanas uzgaļis

► Att.35

Mērvienība: mm

D	A1	A2	L1	L2	L3	R
6	25	9	48	13	5	8
6	20	8	45	10	4	4

Nošķeluma uzgaļis

► Att.36

Mērvienība: mm

D	A	L1	L2	L3	θ
6	23	46	11	6	30°
6	20	50	13	5	45°
6	20	49	14	2	60°

► Att.37

Mērvienība: mm

D	A1	A2	L1	L2	L3	C
12	30	20	55	12	20	4
1/2 collas						

Profilējuma uzgalis

► Att.38

Mērvienība: mm

D	A1	A2	L1	L2	L3	R
12	30	20	55	12	20	4
1/2 collas						

Iedobuma profilējuma uzgalis

► Att.39

Mērvienība: mm

D	A	L1	L2	R
6	20	43	8	4
6	25	48	13	8

Lodišu gultņu līdzenas apgriešanas uzgalis

► Att.40

Mērvienība: mm

D	A	L1	L2
6	10	50	20
1/4 collas			

Lodišu gultņu stūra noapaļošanas uzgalis

► Att.41

Mērvienība: mm

D	A1	A2	L1	L2	L3	R
6	15	8	37	7	3,5	3
6	21	8	40	10	3,5	6
1/4 collas	21	8	40	10	3,5	6

Lodišu gultņu nošķēluma uzgalis

► Att.42

Mērvienība: mm

D	A1	A2	L1	L2	θ
6	26	8	42	12	45°
1/4 collas					
6	20	8	41	11	60°

Lodišu gultņu profilējuma uzgalis

► Att.43

Mērvienība: mm

D	A1	A2	A3	L1	L2	L3	R
6	20	12	8	40	10	5,5	4
6	26	12	8	42	12	4,5	7

Lodišu gultņu iedobuma profilējuma uzgalis

► Att.44

Mērvienība: mm

D	A1	A2	A3	A4	L1	L2	L3	R
6	20	18	12	8	40	10	5,5	3
6	26	22	12	8	42	12	5	5

Lodišu gultņu romiešu stila velvējuma uzgalis

► Att.45

Mērvienība: mm

D	A1	A2	L1	L2	L3	R1	R2
6	20	8	40	10	4,5	2,5	4,5
6	26	8	42	12	4,5	3	6

Dubultais lodīšu gultņu stūra noapaļošanas uzgalis

► Att.46

Mērvienība: mm

D	A1	A2	A3	L1	L2	L3	R
12	35	27	19	70	11	3,5	3
1/2 collas							

SPECIFIKACIJOS

Modelis:	M3602
Laikiklio žiedo parametras	12 mm arba 1/2"
Reguliavimo intervalas	0–60 mm
Be apkrovos	22 000 min ⁻¹
Bendrasis aukštis	300 mm
Grynasis svoris	5,7 kg
Saugos klasė	▣/II

- Atliekame tęsinius tyrimus ir nuolat tobuliname savo gaminius, todėl čia pateikiamos specifikacijos gali būti keičiamos be įspėjimo.
- Skirtingose šalyse specifikacijos gali skirtis.
- Svoris pagal EPTA 2014 m. sausio mėn. procedūrą

Numatytoji naudojimo paskirtis

Šis įrankis skirtas medienai, plastikui ir panašioms medžiagoms apdailinti ir profiluoti.

Elektros energijos tiekimas

Įrenginiui turi būti tiekama tokios įtampos elektros energija, kaip nurodyta duomenų lentelėje; įrenginys veikia tik su vienfazė kintamąja srove. Jie yra dvigubai izoliuoti, todėl gali būti naudojami prijungus prie elektros lizdo be žemėjimo laido.

Triukšmas

Įprastas triukšmo A lygis, nustatytas pagal EN62841-2-17:

Garso slėgio lygis (L_{pA}): 84 dB (A)

Garso galios lygis (L_{WA}): 95 dB (A)

Paklaida (K): 3 dB (A)

PASTABA: Paskelbta (-os) triukšmo reikšmė (-ės) nustatyta (-os) pagal standartinį testavimo metodą ir jį galima naudoti vienam įrankiui palyginti su kitu.

PASTABA: Paskelbta (-os) triukšmo reikšmė (-ės) taip pat gali būti naudojama (-os) norint preliminariai įvertinti triukšmo poveikį.

⚠️ JSPĖJIMAS: Dėvėkite ausų apsaugą.

⚠️ JSPĖJIMAS: Faktiškai naudojant elektrinį įrankį, keliamo triukšmo dydis gali skirtis nuo paskelbtos (-ų) reikšmės (-ių), priklausomai nuo būdų, kuriais yra naudojamas šis įrankis, ir ypač nuo to, kokio tipo ruošinys apdirbamas.

⚠️ JSPĖJIMAS: Siekdami apsaugoti operatorių, būtina įvertinkite saugos priemones, remdamiesi vibracijos poveikio įvertinimu esant faktinėms naudojimo sąlygoms (atsižvelgdami į visas darbo ciklo dalis, pavyzdžiui, ne tik kiek laiko įrankis veikia, bet ir kiek kartų jis yra išjungiamas bei kai jis veikia be apkrovų).

Vibracija

Vibracijos bendroji vertė (trიაšio vektoriaus suma) nustatyta pagal EN62841-2-17 standartą:

Darbo režimas: griovelių pjovimas MDF režimu

Vibracijos emisija (a_{rh}): 3,1 m/s²

Paklaida (K): 1,5 m/s²

PASTABA: Paskelbta (-os) vibracijos bendroji (-osios) reikšmė (-ės) nustatyta (-os) pagal standartinį testavimo metodą ir jį galima naudoti vienam įrankiui palyginti su kitu.

PASTABA: Paskelbta (-os) vibracijos bendroji (-osios) reikšmė (-ės) taip pat gali būti naudojama (-os) norint preliminariai įvertinti vibracijos poveikį.

⚠️ JSPĖJIMAS: Faktiškai naudojant elektrinį įrankį, keliamos vibracijos dydis gali skirtis nuo paskelbtos (-ų) reikšmės (-ių), priklausomai nuo būdų, kuriais yra naudojamas šis įrankis, ir ypač nuo to, kokio tipo ruošinys apdirbamas.

⚠️ JSPĖJIMAS: Siekdami apsaugoti operatorių, būtina įvertinkite saugos priemones, remdamiesi vibracijos poveikio įvertinimu esant faktinėms naudojimo sąlygoms (atsižvelgdami į visas darbo ciklo dalis, pavyzdžiui, ne tik kiek laiko įrankis veikia, bet ir kiek kartų jis yra išjungiamas bei kai jis veikia be apkrovų).

EB atitikties deklaracija

Tik Europos šalims

EB atitikties deklaracija yra pridedama kaip šio instrukcijų vadovo A priedas.

Bendrieji įspėjimai dirbant elektriniais įrankiais

⚠️ JSPĖJIMAS: Perskaitykite visus saugos įspėjimus, instrukcijas, iliustracijas ir techninius duomenis, pateiktus kartu su šiuo elektriniu įrankiu. Nesilaikant visų toliau išvardytų instrukcijų galima patirti elektros smūgį, gali kilti gaisras ir (arba) galima sunkiai susižaloti.

Išsaugokite visus įspėjimus ir instrukcijas, kad galėtumėte jas peržiūrėti ateityje.

Terminas „elektrinis įrankis“ pateiktuose įspėjimuose reiškia į maitinimo tinklą jungiamą (laidinį) elektrinį įrankį arba akumulatoriaus maitinamą (belaidį) elektrinį įrankį.

Įspėjimai dėl frezos saugos

1. Laikykite elektrinį įrankį tik už izoliuotų, laikyti skirtų vietų, nes pjaustytuvas gali užkliudyti savo paties laidą. Įpjovus laidą, kuriuo teka srovė, įtampa gali būti perduota neizoliuotoms metalinėms elektrinio įrankio dalims ir operatorius gali gauti elektros smūgį.
2. Ruošinį ant stabilios platformos tvirtinkite spaustuvais arba kitais parankiais būdais. Laikant ruošinį rankomis arba atrėmus į save, jis nėra stabilus – galite prarasti kontrolę.
3. Pjaustytuvo antgalio jungiamasis galas turi sutapti su numatytos įvorės griebtuvu.
4. Naudokite tik antgalį, kurio vardinis greitis yra bent jau lygus įrankio nurodytam didžiausiam veikimo greičiui.
5. Jei ketinate dirbti ilgai, naudokite klausos apsaugines priemones.
6. Su frezos antgaliais elkitės labai atsargiai.
7. Prieš naudodami patikrinkite frezos antgalį, ar nėra įtrūkimų arba pažeidimų. Nedelsdami pakeiskite įtrūkusį arba pažeistą antgalį.
8. Nepjaukite vinių. Prieš dirbdami apžiūrėkite ruošinį ir išimkite visas viniis.
9. Laikykite įrankį tvirtai už abiejų rankenų.
10. Laikykite rankas toliau nuo sukamųjų dalių.
11. Prieš įjungdami jungiklį, patikrinkite, ar frezos antgalis neliečia ruošinio.
12. Prieš naudodami įrankį su ruošiniu, leiskite jam kurį laiką veikti be apkrovos. Jei pastebėsite vibraciją arba klibėjimą, tai gali rodyti, kad antgalis netinkamai įstatytas.
13. Atkreipkite dėmesį į frezos antgalio sukimosi kryptį ir tiekimo kryptį.
14. Nepalikite veikiančio įrankio. Naudokite įrankį tik laikydami rankomis.
15. Prieš ištraukdami įrankį iš ruošinio, būtinai išjunkite ir palaukite, kol frezos antgalis visiškai sustos.
16. Nelieskite frezos antgalio iškart po naudojimo; jis gali būti itin karštas ir nudeginti odą.
17. Saugokitės, kad neišstumtume įrankio pagrindo skiediklio, benzino, alyva ir pan. Jie gali įskelti įrankio pagrindą.
18. Kai kuriose medžiagose yra cheminių medžiagų, kurios gali būti nuodingos. Saugokitės, kad neįkvėptumėte dulkių ir nesiliestumėte oda. Laikykitės medžiagų tiekėjo saugos duomenų.
19. Atsižvelgdami į apdirbamą medžiagą ir darbo pobūdį, būtinai užsidėkite kaukę, saugančią nuo dulkių / respiratorių.
20. Padėkite įrankį stabilioje vietoje. Priešingu atveju jis gali nukristi ir sužaloti.
21. Laikykite laidą toliau nuo pėdos ar kitų daiktų. Antraip įsipainiojus į laidą galima nukristi ir susižaloti.

SAUGOKITE ŠIAS INSTRUKCIJAS.

▲ ĮSPĖJIMAS: NELEISKITE, kad patogumas ir gaminio pažinimas (įgyjamas pakartotinai naudojant) susilpnintų griežtą saugos taisyklių, taikytinų šiam gaminiui, laikymąsi. Dėl NETINKAMO NAUDOJIMO arba saugos taisyklių, kurios pateiktos šioje instrukcijoje, nesilaikymo galima rimtai susižeisti.

VEIKIMO APRAŠYMAS

▲ PERSPĖJIMAS: Prieš pradėdami reguliuoti arba tikrinti įrankio veikimą, visuomet būtinai išjunkite įrankį ir atjunkite jį nuo maitinimo tinklo.

Įpjovimo gylio reguliavimas

Padėkite įrankį ant lygaus paviršiaus. Atlaisvinkite fiksavimo svirtį ir leiskite įrankio korpusą žemyn tol, kol frezos antgalis palies paviršų. Užveržkite fiksavimo svirtį, kad įrankio korpusas užsifiksuotų. Laikydami nuspaudę greito veikimo mygtuką, kelkite aukštn arba leiskite žemyn stabdiklio strypą, kol nustatysite norimą pjūvio gylį. Momentinius gylio reguliavimus galima nustatyti sukant stabdiklio strypą vieną pasukimą (1,5 mm (1/16")).

- **Pav.1:** 1. Nailoninė veržlė 2. Stabdiklio strypas 3. Greito veikimo mygtukas 4. Šešiakampis reguliavimo varžtas 5. Stabdiklio blokas 6. Fiksavimo svirtis

▲ PERSPĖJIMAS: Darant griovelius, pjūvio gylis ties laida neturi viršyti 20 mm (13/16 col.). Gilesnės griovelio pjovimo operacijoms atlikite du ar tris pjūvius vis didindami frezos antgalio gylio nustatymus.

Nailoninė veržlė

Įrankiui be rankenėlės

Sukant nailoninę veržlę, galima reguliuoti viršutinę įrankio korpuso ribą. Nenuleiskite nailoninės veržlės per žemai. Frezos antgalis pavojingai išsikiš.

Įrankiui su rankenėle

Sukant rankenėlę, galima reguliuoti viršutinę įrankio korpuso ribą. Kai frezos antgalio galiukas išsikiša daugiau nei reikia pagrindo plokštės paviršiaus atžvilgiu, sukite rankenėlę, kad pažemintumėte viršutinę ribą.

- **Pav.2:** 1. Rankenėlė

▲ PERSPĖJIMAS: Pernelyg ilgai dirbant, variklis gali būti perkrautas, įrankį gali būti sunku suvaldyti; pjaunant griovelius, pjūvio gylis neturėtų viršyti 20 mm (13/16 col.). Jeigu norite pjauti gilesnius nei 20 mm (13/16 col.) griovelius, atlikite keletą pjūvių, vis padidindami frezos antgalio gylio nustatymus.

▲ PERSPĖJIMAS: Nenuleiskite rankenėlės per žemai. Frezos antgalis pavojingai išsikiš.

Stabdiklio blokas

Kadangi stabdiklio blokas turi tris šešiakampius reguliavimo varžtus, kurių vienas pasukimas pakelia arba nuleidžia 0,8 mm, galima lengvai gauti trijų skirtingų gylių pjūvį nereguliuojant stabdiklio strypo.

► **Pav.3:** 1. Stabdiklio strypas 2. Šešiabriaunis reguliavimo varžtas 3. Stabdiklio blokas

Reguliuokite žemiausiai esantį šešiabriaunį reguliavimo varžtą, norėdami nustatyti giliausią pjūvį, vadovaudamiesi „pjūvio gylio reguliavimo“ metodu.

Norėdami nustatyti mažesnio gylio pjūvius, reguliuokite kitus du šešiabriaunius reguliavimo varžtus. Skirtumai tarp šių šešiabriaunių reguliavimo varžtų aukščių lygūs pjūvių gylių skirtumams.

Norėdami reguliuoti šešiabriaunius reguliavimo varžtus, pasukite juos atsuktuvu arba veržliarakčiu. Stabdiklio bloką taip pat patogu naudoti giliems grioveliams per tris kartus išpjauti, vis didinant frezos gylio nuostatas.

Jungiklio veikimas

▲PERSPĖJIMAS: Prieš įjungdami įrankį į maitinimo tinklą, visuomet patikrinkite, ar jis išjungtas.

▲PERSPĖJIMAS: Prieš įjungdami įrankį, patikrinkite, ar atlaisvintas veleno fiksatorius.

Jeigu įrankį norite įjungti, pastumkite svirtinį jungiklį į padėtį „I“ (įjungta).

Jeigu įrankį norite išjungti, pastumkite svirtinį jungiklį į padėtį „O“ (išjungta).

► **Pav.4:** 1. Svirtinis jungiklis

▲PERSPĖJIMAS: Išjungdami įrankį, tvirtai jį laikykite, kad nugalėtumėte atoveiksmį.

Elektroninė funkcija

Prietaise yra elektroninė funkcija paprastam naudojimui.

Indikacinė lemputė

► **Pav.5:** 1. Indikatoriaus lemputė

Ijungus įrankį, užsidega žalia įjungimo indikacinė lemputė. Jei indikacinė lemputė neužsidega, gali būti nutrukęs maitinimo laidas arba perdegusi indikacinė lemputė. Jei indikacinė lemputė šviečia, bet įrankis neveikia, nors yra įjungtas, gali būti susidėvėję angliniai šepetėliai arba sugėdęs valdiklis, variklis ar ĮJUNGIMO / IŠJUNGIMO jungiklis.

Netyčinio pakartotinio paleidimo patikrinimas

Įrankis neįsijungia, kai svirtinis jungiklis yra „I“ padėtyje, net jei įrankis yra prijungtas prie maitinimo tinklo. Šiuo metu raudonai mirksi indikacinė lemputė ir rodoma, kad veikia netyčinio pakartotinio paleidimo patvirtinimo prietaisas. Norėdami atšaukti apsaugos nuo netyčinio pakartotinio paleidimo funkciją, perkelkite svirtinį jungiklį į padėtį „O“.

Tolygaus įjungimo funkcija

Švelnaus paleidimo funkcija iki minimumo sumažina paleidimo smūgį ir leidžia sklandžiai paleisti įrankį.

SURINKIMAS

▲PERSPĖJIMAS: Prieš ką nors darydami su įrankiu, visada patikrinkite, ar jis išjungtas, o laido kištukas ištrauktas iš elektros lizdo.

Frezos antgalio įdėjimas ir išėmimas

Iki galo įkiškite frezos antgalį į įvorės kūgį. Suspauskite ašies fiksatorių, kad jis nesisuktų, ir veržliarakčiu saugiai užveržkite įvorės veržlę. Kai naudojate mažesnio skyklės skersmens frezos antgalius, pirmiausia į įvorės kūgį įkiškite atitinkamą movą, tada įkiškite frezos antgalį.

Jei norite nuimti frezos antgalį, laikykitės uždėjimo procedūros atvirkščia tvarka.

► **Pav.6:** 1. Veleno fiksatorius 2. Raktas 3. Atlaisvinti 4. Priveržti

▲PERSPĖJIMAS: Tvirtai sumontuokite frezos antgalį. Naudokite tik su įrankiu pateiktus veržliarakčius. Per mažai priveržtas arba per daug užveržtas frezos antgalis gali būti pavojingas.

PASTABA: Nebandykite veržti įvorės veržlės prieš tai neuždėję frezos antgalio ir nebandykite uždėti mažų antgalių be įvorės movos. Abiem atvejais galite sulaužyti įvorės kūgį.

NAUDOJIMAS

▲PERSPĖJIMAS: Prieš pradėdami darbą, visada įsitikinkite, ar įrankio korpusas automatiškai pakyla iki viršutinės ribos ir frezos antgalis neišsikiša iš įrankio pagrindo, kai fiksavimo svirtelė yra atlaisvinta.

▲PERSPĖJIMAS: Prieš pradėdami darbą, visada įsitikinkite, ar drožlių kreiptuvas tinkamai įtaisytas.

▲PERSPĖJIMAS: Dirbdami visuomet tvirtai laikykite įrankį už abiejų rankenų.

► **Pav.7:** 1. Drožlių kreiptuvas

Padėkite įrankį pagrindu ant ruošinio, kurį pjausite, taip, kad frezos antgalis ruošinio neliestų. Įjunkite įrankį ir palaukite, kol frezos antgalis pradės sukintis visu greičiu. Nuleiskite įrankio korpusą ir stumkite įrankį pirmyn ruošinio paviršiumi, laikydami pagrindą lygiai ir tolygiai stumdami į priekį, kol baigsite pjauti.

Pjaunant kraštą, ruošinio paviršius turi būti iš kairės frezos antgalio pusės, nukreiptas stūmimo kryptimi.

► **Pav.8:** 1. Ruošinys 2. Antgalio sukimosi kryptis 3. Vaizdas iš įrankio viršaus 4. Stūmimo kryptis

PASTABA: Per greitai stumiant įrankį į priekį, pjūvis gali būti prastos kokybės arba galima sugadinti frezos antgalį arba variklį. Per lėtai stumiant įrankį, pjūvis gali būti nudegintas arba sugadintas. Tinkamas įrankio stūmimo tempas priklauso nuo frezos antgalio dydžio, ruošinio rūšies ir pjovimo gylio.

Prieš pradėdant pjauti, rekomenduotina atlikti bandomąjį pjūvį, naudojant medienos gabalėlį. Taip tiksliai pamatysite, kaip atrodys pjūvis, ir galėsite patikrinti matmenis.

PASTABA: Naudodami tiesųjį kreiptuvą arba profiliuotą kreiptuvą, būtinai dėkite jį dešinėje pusėje, stūmimo kryptimi. Taip jis bus sutapdintas su ruošinio šonu.

► **Pav.9:** 1. Stūmimo kryptis 2. Frezos sukimosi kryptis 3. Ruošiny 4. Tiesusis kreiptuvas

Tiesusis kreiptuvas

Tiesusis kreipiklis efektyviai naudojamas tiesiems pjūviams, išpjaunant išėmas arba griovelius.

Tiesusis kreiptuvas (A tipo)

Pasirenkamas priedas

Pritvirtinkite tiesųjį kreiptuvą ant kreiptuvo laikiklio sparnuotąją veržlę (B). Įstatykite kreiptuvo laikiklį į kiaurymes, esančias įrankio pagrindo plokštėje, ir užveržkite sparnuotąją veržlę (A). Norėdami nustatyti atstumą tarp frezos antgalio ir tiesiojo kreiptuvo, atlaisvinkite sparnuotąją veržlę (B) ir sukite tikslaus nustatymo varžtą. Nustatę norimą atstumą, užveržkite sparnuotąją veržlę (B), kad tiesusis kreiptuvas nejudėtų.

► **Pav.10:** 1. Kreiptuvo laikiklis 2. Tikslaus nustatymo varžtas 3. Tiesusis kreiptuvas

Tiesusis kreiptuvas (B tipo)

Pasirenkamas priedas

Įstatykite tiesųjį kreiptuvą į kiaurymes, esančias įrankio pagrindo plokštėje, ir užveržkite sparnuotąją veržlę. Norėdami pareguliuoti atstumą tarp frezos antgalio ir tiesiojo kreiptuvo, atsukite sparnuotąją veržlę. Nustatę norimą atstumą, užveržkite sparnuotąją veržlę, kad tiesusis kreiptuvas nejudėtų.

► **Pav.11:** 1. Sparnuotoji veržlė 2. Tiesusis kreiptuvas

Pjaudami stumkite įrankį su tiesuoju kreipikliu, sulygiavę jį su ruošinio kraštu.

Tiesųjį kreiptuvą galima paplatinti, prisukant dvi papildomas medines kaladėles prie kreiptuvo, naudojant joje esančias kiaurymes.

Naudodami didesnio skersmens frezos antgalį, pritvirtinkite prie kreiptuvo dar dvi ne ponesnes nei 15 mm (5/8 col.) storio kaladėles, kad frezos antgalis neliestų tiesiojo kreiptuvo.

► **Pav.12:** 1. Tiesusis kreiptuvas 2. Medis

A=55 mm (2-3/16 col.)

B=55 mm (2-3/16 col.)

C=15 mm (5/8 col.) arba storesnis

Lekalo kreiptuvas

Pasirenkamas priedas

Lekalo kreiptuvas turi movą, pro kurią praeina frezos antgalis, todėl freza galima išpjauti modelius pagal lekalus.

► **Pav.13**

1. Atlaisvinkite ant įrankio pagrindo esančius varžtus, įkiškite lekalo kreiptuvą ir tada užveržkite varžtus.

► **Pav.14:** 1. Varžtai 2. Lekalo kreiptuvas

2. Pritvirtinkite lekalą prie ruošinio. Dėkite įrankį ant lekalo ir kartu su lekalo kreiptuvu slinkite išilgai lekalo šono.

► **Pav.15:** 1. Frezos antgalis 2. Pagrindas 3. Pagrindo plokštė 4. Lekalas 5. Ruošiny 6. Lekalo kreiptuvas

PASTABA: Ruošiny bus išpjautas truputį kitokio dydžio nei lekalas. Tarp frezos antgalio ir išorinio lekalo kreiptuvo krašto palikite (X) atstumą, (X) atstumą galima apskaičiuoti pagal tokią lygtį:

(X) atstumas = (lekalo kreiptuvo išorinis skersmuo – frezos antgalio skersmuo) / 2

Profiliavimo kreiptuvas

Profiliavimo kreiptuvu galima lengvai atlikti profilinius, lenktus pjūvius baldams skirtose faneros plokštėse. Kreiptuvo velenėlis slenka kreive ir užtikrina tikslų pjūvį.

Profiliavimo kreiptuvas (A tipo)

Pasirenkamas priedas

Pritvirtinkite profiliavimo kreiptuvą ant kreiptuvo laikiklio sparnuotąją veržlę (B). Įstatykite kreiptuvo laikiklį į kiaurymes, esančias įrankio pagrindo plokštėje, ir užveržkite sparnuotąją veržlę (A). Norėdami nustatyti atstumą tarp frezos antgalio ir profiliavimo kreiptuvo, atlaisvinkite sparnuotąją veržlę (B) ir sukite tikslaus nustatymo varžtą. Reguliuodami kreiptuvo ratuką aukštn arba žemyn, atlaisvinkite sparnuotąją veržlę (C). Pareguliuavę, tvirtai užveržkite visas sparnuotąsias veržles.

► **Pav.16:** 1. Kreiptuvo laikiklis 2. Tikslaus nustatymo varžtas 3. Profiliavimo kreiptuvas 4. Kreipiamasis ritinys

Profiliavimo kreiptuvas (B tipo)

Pasirenkamas priedas

Pritvirtinkite profiliavimo kreiptuvą ant tiesiojo kreiptuvo sparnuotosiomis veržlėmis (B). Įstatykite tiesųjį kreiptuvą į kiaurymes, esančias įrankio pagrindo plokštėje, ir užveržkite sparnuotąją veržlę (A). Norėdami pareguliuoti atstumą tarp frezos antgalio ir profiliavimo kreiptuvo, atsukite sparnuotąsias veržles (B). Reguliuodami kreiptuvo ratuką aukštn arba žemyn, atlaisvinkite sparnuotąją veržlę (C). Pareguliuavę tvirtai užveržkite visas sparnuotąsias veržles.

► **Pav.17:** 1. Kreipiamasis ritinys 2. Profiliavimo kreiptuvas

Pjaudami, stumkite įrankį taip, kad kreipiklio velenėlis slystų ruošinio šonu.

► **Pav.18:** 1. Frezos antgalis 2. Kreipiamasis ritinys 3. Ruošiny

Dulkių gaubtas (įrankiui su rankenėle)

Pasirenkamas priedas

Dulkių gaubtas apsaugo įrankį, kad į jį apvertus, į jį nepatektų pjuvenų. Naudodami įrankį su specializuotose parduotuvėse įsigyjamu frezavimo staklių stovu, sumontuokite dulkių gaubtą, kaip parodyta paveikslėlyje. Naudodami įrankį įprastoje padėtyje, jį nuimkite.

► **Pav.19:** 1. Varžtas 2. Gaubtelis nuo dulkių

Tarpiklis (įrankiui su rankenėle)

Pasirenkamas priedas

Keičiant frezos antgalį apverstoje padėtyje, tarpiklis neleidžia frezos antgaliui nukristi nuo laikiklio. Naudodami įrankį su specializuotose parduotuvėse įsigyjamu frezavimo staklių stovu, sumontuokite tarpiklį, kaip parodyta paveikslėlyje.

► **Pav.20:** 1. Įvorės veržlė 2. Įvorės kūgis 3. Tarpiklis

Dulkių ištraukimas

Pasirenkamas priedas

Dulkėms šalinti naudokite dulkių ištraukimo antgalį.

► **Pav.21:** 1. Dulkių ištraukimo antgalis

Dulkių ištraukimo antgalio montavimas

► **Pav.22:** 1. Atrama 2. Fiksavimo svirtis

1. Pakelkite dulkių ištraukimo antgalio fiksavimo svirtį.
 2. Įstatykite dulkių ištraukimo antgalį į prietaiso pagrindo plokštę taip, kad jos viršus užsikabintų už ten esančio kabliuko.
 3. Uždėkite dulkių ištraukimo antgalio atramas ant kabliukų, esančių įrankio pagrindo priekyje.
 4. Nuspauskite fiksavimo svirtelę žemyn.
 5. Po to prijunkite dulkių ištraukimo antgalį prie vakuuminio valymo įrenginio.
- **Pav.23**

Dulkių ištraukimo antgalio nuėmimas

1. Pakelkite fiksavimo svirtį.
2. Ištraukite dulkių ištraukimo antgalį iš įrankio pagrindo plokštės, pirštais prilaikydami atramas.

TECHNINĖ PRIEŽIŪRA

▲PERSPĖJIMAS: Prieš pradėdami įrankio tikrinimo arba techninės priežiūros darbus, visuomet būtinai išjunkite įrankį ir atjunkite jį nuo maitinimo tinklo.

PASTABA: Niekada nenaudokite gazolino, benzino, tirpiklio, spirito arba panašių medžiagų. Gali atsirasti išblukimų, deformacijų arba įtrūkimų.

Anglinių šepetėlių keitimas

► **Pav.24:** 1. Ribos žymė

Reguliariai patikrinkite anglinius šepetėlius. Pakeiskite juos, kai nusidėvi iki ribos žymės. Laikykite anglinius šepetėlius švarius ir tikrinkite, ar jie laisvai įslenka į laikiklius. Abu angliniai šepetėliai turėtų būti keičiami tuo pačiu metu. Naudokite tik identiškus anglinius šepetėlius.

1. Jei norite nuimti šepetėlių laikiklių dangtelius, pasi- naudokite atsuktuvu.
 2. Išimkite sudėvėtus anglinius šepetėlius, įdėkite naujus ir įtvirtinkite šepetėlių laikiklio dangtelį.
- **Pav.25:** 1. Šepetėlio laikiklio dangtelis

Įrankiui su rankenėle

▲PERSPĖJIMAS: Pakeitę anglinius šepetėlius naujais, būtinai atgal sumontuokite rankenėlę.

Atlaisvinkite fiksavimo svirtį ir nuimkite rankenėlę, sukdam į ją prieš laikrodžio rodyklę.

► **Pav.26:** 1. Rankenėlė

PASTABA: Suspaudimo spyruoklė nukris nuo rankenėlės, todėl būkite atsargūs, kad nepamestumėte suspaudimo spyruoklės.

Kad gaminys būtų SAUGUS ir PATIKIMAS, jį taisyti, apžiūrėti ar vykdyti bet kokią kitą priežiūrą ar derinimą turi įgaliotasis kompanijos „Makita“ techninės priežiūros centras; reikia naudoti tik kompanijos „Makita“ pagamintas atsargines dalis.

PASIRENKAMI PRIEDAI

Frezos

Tiesioji freza

► **Pav.27**

Vienetas:mm

D	A	L1	L2
6	20	50	15
1/4 col.			
12	12	60	30
1/2 col.			
12	10	60	25
1/2 col.			
8	8	60	25
6	8	50	18
1/4 col.			
6	6	50	18
1/4 col.			

„U“ griovelių pjovimo antgalis

► Pav.28

Vienetas:mm

D	A	L1	L2	R
6	6	50	18	3

„V“ griovelių pjovimo antgalis

► Pav.29

Vienetas:mm

D	A	L1	L2	θ
1/4 col.	20	50	15	90°

Trapecinio dygio freza

► Pav.30

Vienetas:mm

D	A	L1	L2	θ
8	14,5	55	10	35°
3/8 col.				
8	14,5	55	14,5	23°
3/8 col.				
8	12	50	9	30°
3/8 col.				

Grąžtas-profilavimo freza

► Pav.31

Vienetas:mm

D	A	L1	L2	L3
12	12	60	20	35
8	8	60	20	35
6	6	60	18	28

Grąžtas-dvigubo profilavimo freza

► Pav.32

Vienetas:mm

D	A	L1	L2	L3	L4
6	6	70	40	12	14

Kiaurymių pjoviklis

► Pav.33

Vienetas:mm

D	A	L1	L2
12	30	55	6
1/2 col.			
12	30	55	3
1/2 col.			

Lentų sujungimo antgalis

► Pav.34

Vienetas:mm

D	A1	A2	L1	L2	L3
12	38	27	61	4	20

Kampų apvalinimo freza

► Pav.35

Vienetas:mm

D	A1	A2	L1	L2	L3	R
6	25	9	48	13	5	8
6	20	8	45	10	4	4

Briaunų nuskvelbimo freza

► Pav.36

Vienetas:mm

D	A	L1	L2	L3	θ
6	23	46	11	6	30°
6	20	50	13	5	45°
6	20	49	14	2	60°

► Pav.37

Vienetas:mm

D	A1	A2	L1	L2	L3	C
12	30	20	55	12	20	4
1/2 col.						

Ornamentų pjaustymo freza

► Pav.38

Vienetas:mm

D	A1	A2	L1	L2	L3	R
12	30	20	55	12	20	4
1/2 col.						

Skiauto ornamento pjovimo freza

► Pav.39

Vienetas:mm

D	A	L1	L2	R
6	20	43	8	4
6	25	48	13	8

Guolinė profiliavimo freza

► Pav.40

Vienetas:mm

D	A	L1	L2
6	10	50	20
1/4 col.			

Guolinė kampų apvalinimo freza

► Pav.41

Vienetas:mm

D	A1	A2	L1	L2	L3	R
6	15	8	37	7	3,5	3
6	21	8	40	10	3,5	6
1/4 col.	21	8	40	10	3,5	6

Guolinė briaunų nuskvelbimo freza

► Pav.42

Vienetas:mm

D	A1	A2	L1	L2	θ
6	26	8	42	12	45°
1/4 col.					
6	20	8	41	11	60°

Guolinė ornamentų pjovimo freza

► Pav.43

Vienetas:mm

D	A1	A2	A3	L1	L2	L3	R
6	20	12	8	40	10	5,5	4
6	26	12	8	42	12	4,5	7

Guolinė skliauto ornamento pjovimo freza

► Pav.44

Vienetas:mm

D	A1	A2	A3	A4	L1	L2	L3	R
6	20	18	12	8	40	10	5,5	3
6	26	22	12	8	42	12	5	5

Guolinė romėniškos „S“ pavidalo kreivės freza

► Pav.45

Vienetas:mm

D	A1	A2	L1	L2	L3	R1	R2
6	20	8	40	10	4,5	2,5	4,5
6	26	8	42	12	4,5	3	6

Dviguba guolinė apvalių kampų freza

► Pav.46

Vienetas:mm

D	A1	A2	A3	L1	L2	L3	R
12	35	27	19	70	11	3,5	3
1/2 col.							

TEHNILISED ANDMED

Mudel:	M3602
Tsangpadruni mahutavus	12 mm või 1/2"
Sukeldussügavus	0 - 60 mm
Koormuseta kiirus	22 000 min ⁻¹
Üldkõrgus	300 mm
Netokaal	5,7 kg
Ohutusklass	□/II

- Meie pideva uuringu- ja arendusprogrammi tõttu võidakse tehnilisi andmeid muuta ilma sellest ette teatamata.
- Tehnilised andmed võivad riigiti erineda.
- Kaal EPTA-protseduuri 01/2014 kohaselt

Kavandatud kasutus

Tööriist on ette nähtud puidu, plasti ja teiste sarnaste materjalide trimmimiseks ja profileerimiseks.

Vooluvarustus

Seadet võib ühendada ainult andmesildil näidatud pingega vooluvõrku ning seda saab kasutada ainult ühefaasilisel vahelduvvoolutoitel. Seadmel on kahekordne isolatsioon ning seega võib seda kasutada ka ilma maandusjuhtmeta pistikupessa ühendatult.

Müra

Tüüpiline A-korrigeeritud müratase, määratud standardi EN62841-2-17 kohaselt:

Helirõhutase (L_{pA}): 84 dB (A)

Helivõimsuse tase (L_{WA}): 95 dB (A)

Määramatus (K): 3 dB (A)

MÄRKUS: Deklareeritud müra väärtust (väärtuseid) on mõõdetud kooskõlas standardse katsemeetodiga ning seda võib kasutada ühe seadme võrdlemiseks teisega.

MÄRKUS: Deklareeritud müra väärtust (väärtuseid) võib kasutada ka mürataseme esmaseks hindamiseks.

▲HOIATUS: Kasutage kõrvakaitsmeid.

▲HOIATUS: Müratase võib elektritööriista tegelikkuses kasutamise ajal erineda deklareeritud väärtus(t)est olenevalt tööriista kasutusviisidest ja eriti töödeldavast toorikust.

▲HOIATUS: Rakendage operaatori kaitsmiseks kindlasti piisavaid ohutusabinõusid, mis põhinevad hinnangulisel müratasemel tegelikus tööolukorras (võttes arvesse tööperioodi kõiki osasid, näiteks korrad, kui seade lülitatakse välja ja seade töötab tühikäigul, lisaks tööajale).

Vibratsioon

Vibratsiooni koguväärtus (kolmeteljeliste vektorite summa) määratud standardi EN62841-2-17 kohaselt: Töörežiim: keskmise tihedusega puitkiudplaatidesse lõigete tegemine

Vibratsiooniheide (a_{h1}): 3,1 m/s²

Määramatus (K): 1,5 m/s²

MÄRKUS: Deklareeritud vibratsiooni koguväärtust (-väärtuseid) on mõõdetud kooskõlas standardse katsemeetodiga ning seda võib kasutada ühe seadme võrdlemiseks teisega.

MÄRKUS: Deklareeritud vibratsiooni koguväärtust (-väärtuseid) võib kasutada ka mürataseme esmaseks hindamiseks.

▲HOIATUS: Vibratsioonitase võib elektritööriista tegelikkuses kasutamise ajal erineda deklareeritud väärtus(t)est olenevalt tööriista kasutusviisidest ja eriti töödeldavast toorikust.

▲HOIATUS: Rakendage operaatori kaitsmiseks kindlasti piisavaid ohutusabinõusid, mis põhinevad hinnangulisel müratasemel tegelikus tööolukorras (võttes arvesse tööperioodi kõiki osasid, näiteks korrad, kui seade lülitatakse välja ja seade töötab tühikäigul, lisaks tööajale).

EÜ vastavusdeklaratsioon

Ainult Euroopa riikide puhul

EÜ vastavusdeklaratsioon sisaldub käesoleva juhendi Lisas A.

Üldised elektritööriistade ohutushoiatused

▲HOIATUS: Lugege läbi kõik selle elektritööriistaga kaasas olevad ohutushoiatused, juhised, joonised ja tehnilised andmed. Järgnevate juhiste eiramine võib põhjustada elektrilöögi, süttimise ja/või raske kehavigastuse.

Hoidke edaspidisteks viide- teks alles kõik hoiatused ja juhtnöörid.

Hoiatuses kasutatud termini „elektritööriist“ all peetakse silmas elektriga töötavaid (juhtmega) elektritööriistu või akuga töötavaid (juhtmeta) elektritööriistu.

Profiilfreesi ohutusjuhised

1. Hoidke elektritööriista üksnes isoleeritud haardepindadest, kuna lõiketera võib puutuda vastu seadme enda toitejuhet. Voolu all oleva juhtmega kokku puutuv lõiketera võib pingestada elektritööriista metallosi ja põhjustada kasutajale elektrilöögi.
2. Kasutage klambreid või mõnda muud sobivat viisi töödeldava detaili kinnitamiseks ja toetamiseks stabiilsele alusele. Töödeldava detaili hoidmisel käega või selle toetamisel vastu keha on detail ebastabiilses asendis ning võib põhjustada kontrolli kaotust.
3. Lõikeotsiku vars peab sobituma kavandatud tsangpadruniga.
4. Kasutage ainult otsakut, mille maksimaalne kiirus on vähemalt võrdne tööriistale märgituga.
5. Pikema tööperioodi kestel kandke kuulmiskaitsevahendeid.
6. Käsitsege profiilfreesi otsakuid väga ettevaatlikult.
7. Enne toimingu tegemist kontrollige hoolikalt, kas profiilfreesi otsakul on mõrsid või vigastusi. Asendage pragunenud või vigastatud otsak viivitamatult.
8. Vältige naeltesse sisselõikamist. Enne toimingu tegemist kontrollige töödeldavat detaili ja eemaldage sellest kõik naelad.
9. Hoidke tööriista kindlalt kahe käega.
10. Hoidke käed eemal pöörlevatest osadest.
11. Veenduge, et profiilfreesi otsak ei puudutaks töödeldavat detaili enne tööriista sisselülitamist.
12. Enne tööriista kasutamist tegelikus töökeskkonnas laske sellel mõni aeg koormuseta töötada. Jälgige vibratsiooni või vibamist, mis võib viidata valesti paigaldatud otsakule.
13. Olge tähelepanelik profiilfreesi otsaku pöörlemis- ja etteandesuuna suhtes.
14. Ärge jätke tööriista käima. Käivitage tööriist ainult siis, kui hoiate seda käes.
15. Enne tööriista eemaldamist töödeldavast detailist lülitage tööriist alati vooluvõrgust välja ja oodake, kuni profiilfreesi otsak on täielikult seiskunud.
16. Ärge puudutage profiilfreesi otsakut vahetult pärast toimingu lõpetamist; see võib olla väga kuum ja põhjustada põletushaavu.
17. Ärge määrige tööriista alust hooletult lahusti, bensiini, õli vms-ga. Need võivad põhjustada tööriista aluse möranemise.
18. Mõned materjalid võivad sisaldada mürgiseid aineid. Võtke meetmed tolmude sissehingamise ja nahaga kokkupuute vältimiseks. Järgige materjali tarnija ohutusteavet.
19. Kasutage alati õiget tolmumaski/respiraatorit, mis vastab materjalile ja rakendusele, millega töötate.
20. Asetage tööriist stabiilsele pinnale. Muidu võib seade maha kukkuda ja vigastusi tekitada.
21. Hoidke juhe eemal jalgadest ja mis tahes esemetest. Takerdunud juhe võib põhjustada maha kukkumise ja lõppeda kehavigastustega.

HOIDKE JUHEND ALLES.

▲HOIATUS: ÄRGE UNUSTAGE järgida toote ohutusnõudeid mugavuse või toote (korduskasutamiseks saavutatud) hea tundmise tõttu. VALE KASUTUS või kasutusjuhendi ohutuseeskirjade eiramine võib põhjustada tervisekahjustusi.

FUNKTSIONAALNE KIRJELDUS

▲ETTEVAATUST: Kandke alati hoolt selle eest, et tööriist oleks enne reguleerimist ja kontrollimist välja lülitatud ja vooluvõrgust lahti ühendatud.

Lõikesügavuse reguleerimine

Asetage tööriist tasasele pinnale. Lõdvendage lukustushoob ja langetage tööriista korpus, kuni profiilfreesi otsak puudutab tasast pinda. Tööriista korpuse lukustamiseks pingutage lukustushooba. Hoides kiirsõitenuppu all, nihutage stoppervarrast üles või alla, kuni soovitud lõikesügavus on saavutatud. Sügavuse peenhäälestuseks tuleb keerata stoppervarrast (üks pööre on 1,5 mm (1/16")).

► **Joon.1:** 1. Nailonmutter 2. Stoppervarras 3. Kiire sõitmise nupp 4. Reguleerimise kuuskantpolt 5. Stopperi plokk 6. Lukustushoob

▲ETTEVAATUST: Lõikesügavuse ei tohiks soonte lõikamisel olla korraga suurem kui 20 mm (13/16"). Eriti sügavate soonte lõikamisel tehke järjest suureneva sügavusega profiilfreesi otsaku seadega kaks või kolm lõiget.

Nailonmutter

Ilma nuputa tööriista kohta

Keerates nailonmutrit, saab reguleerida tööriista korpuse ülemist piiri. Ärge langetage nailonmutrit liiga madalale. Profiilfreesi otsak eendub siis ohtlikult kaugele.

Nupuga tööriista kohta

Nuppu keerates saab reguleerida tööriista korpuse ülemist piiri. Kui profiilfreesi otsak jääb alusplaadi pinnale lähemale kui tarvis, keerake korpuse ülemise piiri langetamiseks seda nuppu.

► **Joon.2:** 1. Nuppu

▲ETTEVAATUST: Kuna liiga sügav lõikamine võib mootori üle koormata või raskendada tööriista valitsemist, ei tohiks lõikesügavuse soonte lõikamisel olla korraga suurem kui 20 mm (13/16"). Kui soovite lõigata sügavamaid sooni kui 20 mm (13/16"), tehke järjest suureneva sügavusega profiilfreesi otsaku seadega mitu lõiget.

▲ETTEVAATUST: Ärge langetage nuppu liiga madalale. Profiilfreesi otsak eendub siis ohtlikult kaugele.

Stopperi plokk

Kuna stopperi plokil on kolm reguleerimise kuuskantpolti, mis tõusevad või alanevad 0,8 mm pöörde kohta, saate hõlpsasti kasutada kolme erinevat lõikesügavust stoppervarrast uuesti reguleerimata.

► **Joon.3:** 1. Stoppervarras 2. Reguleerimise kuuskantpolt 3. Stopperi plokk

Sügavaima lõikesügavuse saavutamiseks seadistage kõige madalamat reguleerimise kuuskantpolti, järgides lõigus „Lõikesügavuse reguleerimine” toodud meetodit.

Väiksemate lõikesügavuste saamiseks seadistage kahte ülejäänud reguleerimise kuuskantpolti. Reguleerimise kuuskantpoltide kõrguste erinevused on võrdsed lõike sügavuse erinevusega.

Reguleerimise kuuskantpoltide seadistamiseks keerake neid kruvikeeraja või mutrivõtmege. Samuti on stopperi plokk kasulik sügavate soonte lõikamisel järjest suureneva lõikesügavusega korduslõigete tegemiseks.

Lüliti funktsioneerimine

⚠ETTEVAATUST: Kontrollige alati enne tööriista vooluvõrku ühendamist, kas tööriist on välja lülitatud.

⚠ETTEVAATUST: Enne sisselülitamist veenduge, et völliilukk oleks vabastatud.

Tööriista sisselülitamiseks viige hooblüliti asendisse I. Tööriista seiskamiseks viige hooblüliti asendisse O.

► **Joon.4:** 1. Hooblüliti

⚠ETTEVAATUST: Hoidke tööriista väljalülitamisel tugevasti kinni, et neelata tagasilööki.

Elektrooniline funktsioon

Tööriist on varustatud lihtsama kasutamise jaoks elektrooniliste funktsioonidega.

Märgutuli

► **Joon.5:** 1. Märgutuli

Roheline toite märgutuli süttib, kui tööriist on vooluvõrku ühendatud. Kui märgutuli ei sütti, on võimalik, et toitejuhe või juhtseade on defektne. Kui märgutuli on valgustunud, kuid tööriist ei käivitu ka sisselülitamisel, võib selle põhjuseks olla süsiharjade kulumine või kontrolleri, mootori või lüliti „ON” (Sisse lülitatud) / „OFF” (Välja lülitatud) rike.

Tahtmatu taaskäivituse tõestus

Tööriist ei käivitu, kui lüliti on asendis „I”, isegi kui tööriist on pistikuga ühendatud.

Sellisel puhul vilgub märgutuli punaselt ja näitab, et tahtmatu taaskäivitamise kinnituse seade töötab. Tahtmatu taaskäivitamise kinnituse tühistamiseks liigutage lüliti päästik tagasi asendisse „O”.

Sujuvkäivituse funktsioon

Sujuvkäivituse funktsioon minimeerib käivitamisel tagasilööki ja võimaldab tööriistal sujuvalt käivituda.

KOKKUPANEK

⚠ETTEVAATUST: Enne tööriistal mingite tööde tegemist kandke alati hoolt selle eest, et see oleks välja lülitatud ja vooluvõrgust lahti ühendatud.

Profiilfreesi otsaku paigaldamine või eemaldamine

Sisestage profiilfreesi otsak lõpuni tsangkoonusesse. Vajutage völliilukku, et hoida völli paigal, ja kasutage mutrivõti, et tsangmutter korralikult kinnitada. Kasutades väiksema tüve läbimõõduga profiilfreesi otsakuid, sisestage esmalt tsangkoonusesse sobiva suurusega tsangmuhv, seejärel paigaldage profiilfreesi otsak.

Profiilfreesi otsaku eemaldamiseks järgige paigaldamise protseduuri vastupidises järjekorras.

► **Joon.6:** 1. Völliilukk 2. Mutrivõti 3. Lõdvendamine 4. Pingutamine

⚠ETTEVAATUST: Paigaldage profiilfreesi otsak tugevasti. Kasutage alati tööriistaga kaasas olevat mutrivõti. Logisev või liiga tugevasti pingutatud profiilfreesi otsak võib olla ohtlik.

TÄHELEPANU: Ärge pingutage tsangmutrit ilma profiilfreesi otsakut sisestamata ega paigaldage väikese tüvega otsakuid ilma tsangmuhvita. See võib põhjustada tsangkoonuse purunemise.

TÖÖRIISTA KASUTAMINE

⚠ETTEVAATUST: Enne töö alustamist veenduge alati, et tööriista korpus kerkiks automaatselt ülemise piirini ning profiilfreesi otsak ei eenduks lukustushoova lõdvendamisel tööriista alusest välja.

⚠ETTEVAATUST: Enne töö alustamist veenduge alati, et laastude kõrvalesuunaja oleks korralikult paigaldatud.

⚠ETTEVAATUST: Kasutage alati mõlemat käepidet ja hoidke töötavat tööriista kõvasti mõlemast käepidemest kinni.

► **Joon.7:** 1. Laastude kõrvalesuunaja

Asetage tööriista alus lõigatavale detailile, ilma et profiilfreesi otsak detaili vastu puutuks. Seejärel lülitage tööriist sisse ja oodake, kuni profiilfreesi otsak saavutab täiskiiiruse. Langetage tööriista korpus ja liigutage tööriista piki töödeldava detaili pinda, hoides tööriista alust tasaselt vastu pinda ja liikudes sujuvalt edasi, kuni lõige on tehtud.

Servade lõikamisel peab töödeldava detaili pind jääma seadme liikumise suunas vaadatuna profiilfreesi otsakust vasakule.

► **Joon.8:** 1. Töödeldav detail 2. Otsaku pöörlemise suund 3. Vaade tööriista ülaosast 4. Söötmise suund

MÄRKUS: Kui tööriista nihutatakse edasi liiga kiiresti, võib see põhjustada löike halva kvaliteedi või kahjustada profiilfreesi otsakut või mootorit. Kui tööriista nihutatakse edasi liiga aeglaselt, võib see löikekohta kõrvetada ja kahjustada. Õige edasilikumise kiirus sõltub kasutatava profiilfreesi otsaku suuruselt, töödeldavast materjalist ja löikesügavusest.

Enne töö alustamist tegelikult töödeldaval pinnal on soovitatav teha sarnasest materjalist üleliigselt saematerjalitüki proovilöikamine. Nii teate täpselt, kuidas löige välja näeb, ning saate kontrollida mõtte.

MÄRKUS: Sirg- või servamisjuhiku kasutamisel paigaldage see kindlasti seadme liikumise suunas, vaadatuna otsakust paremale. Sel juhul on lihtsam juhikut töödeldava pinna servaga kohakuti hoida.

► **Joon.9:** 1. Söötmise suund 2. Otsaku pöörlemis-suund 3. Töödeldav detail 4. Sirgjuhik

Sirgjuhik

Sirgjuhikut kasutatakse faasimisel või soonte lõikamisel sirge löike saamiseks.

Sirgjuhik (Tüüp A)

Valikuline tarvik

Paigaldage sirgjuhik pitskrui (B) abil juhikuhoidikusse. Sisestage juhikuhoidik tööriista aluses olevatesse avaustesse ja kinnitage pitskruviga (A). Et reguleerida vahemaad profiilfreesi otsaku ja sirgjuhiku vahel, lõdvendage pitskrui (B) ja keerake peenhäälestuskrui. Soovitud kaugusel keerake pitskrui (B) kinni, et fikseerida sirgjuhik paigale.

► **Joon.10:** 1. Juhikuhoidik 2. Peenhäälestuskrui 3. Sirgjuhik

Sirgjuhik (Tüüp B)

Valikuline tarvik

Sisestage sirgjuhik tööriista aluses olevatesse avaustesse ja kinnitage pitskruviga. Profiilfreesi otsaku ja sirgjuhiku vahekauguse reguleerimiseks lõdvendage pitskrui. Soovitud vahemaa saavutamisel pingutage sirgjuhiku fikseerimiseks pitskrui.

► **Joon.11:** 1. Pöidlakruvi 2. Sirgjuhik

Lõikamisel liigutage tööriista nii, et sirgjuhik oleks töödeldava detaili servaga ühel joonel. Juhikus olevate käepäraste avaste abil saab sirgjuhikut täiendavate puidutükkide kinnitamise teel laiemaks muuta.

Kasutades suure läbimõõduga profiilfreesi otsakut, kinnitage puidutükid 15 mm (5/8") või suurema pakusega sirgjuhiku külge, et vältida otsaku puutumist vastu sirgjuhikut.

► **Joon.12:** 1. Sirgjuhik 2. Puit

A=55 mm (2-3/16")

B=55 mm (2-3/16")

C=15 mm (5/8") või paksem

Šabloonjuhik

Valikuline tarvik

Šabloonjuhik võimaldab kasutada profiilfreesi otsaku juhtimiseks kindlat teed ja teha profiilfreesiga mustreid.

► **Joon.13**

1. Lõdvendage aluse kruvid, sisestage šabloonjuhik ja kinnitage kruvid.

► **Joon.14:** 1. Kruvid 2. Šabloonjuhik

2. Kinnitage šabloon töödeldava detaili külge.

Asetage tööriist šabloonile ja liigutage tööriista edasi nii, et šabloonjuhik libiseks piki šablooni serva.

► **Joon.15:** 1. Profiilfreesi otsak 2. Alus 3. Alusplaat
4. Šabloon 5. Töödeldav detail
6. Šabloonjuhik

MÄRKUS: Töödeldav detail lõigatakse šabloonist veidi erineva suurusega. Jätke profiilfreesi otsaku ja šabloonjuhiku väliskülje vahele vahemaa (X). Vahemaa (X) arvutamiseks saab kasutada järgmist valemit:

Vahemaa (X) = (šabloonjuhiku välisläbimõõt – profiilfreesi otsaku läbimõõt) / 2

Servamisjuhik

Servamisjuhiku abil saab hõlpsasti servata, teha kõveraid löikeid mööblispoonis jms. Juhtrullik liigub piki löikekaart ja kindlustab peene löike.

Servamisjuhik (Tüüp A)

Valikuline tarvik

Paigaldage servamisjuhik pitskrui (B) abil juhikuhoidikusse. Sisestage juhikuhoidik tööriista aluses olevatesse avaustesse ja kinnitage pitskruviga (A). Et reguleerida vahemaad profiilfreesi otsaku ja servamisjuhiku vahel, lõdvendage pitskrui (B) ja keerake peenhäälestuskrui. Juhtrulliku üles või alla reguleerimisel lõdvendage pitskrui (C). Pärast reguleerimist pingutage korralikult kõiki pitskruid.

► **Joon.16:** 1. Juhikuhoidik 2. Peenhäälestuskrui 3. Servamisjuhik 4. Juhtrullik

Servamisjuhik (Tüüp B)

Valikuline tarvik

Paigaldage servamisjuhik pitskruid (B) abil sirgjuhikule. Sisestage sirgjuhik tööriista aluses olevatesse avaustesse ja kinnitage pitskruviga (A). Profiilfreesi otsaku ja servamisjuhiku vahekauguse reguleerimiseks lõdvendage pitskrui (B). Juhtrulliku üles või alla reguleerimisel lõdvendage pitskrui (C). Pärast reguleerimist pingutage korralikult kõiki pitskruid.

► **Joon.17:** 1. Juhtrullik 2. Servamisjuhik

Lõikamisel liigutage tööriista nii, et juhtrullik liiguks mööda töödeldava detaili serva.

► **Joon.18:** 1. Profiilfreesi otsak 2. Juhtrullik 3. Töödeldav detail

Tolmukate (nupuga tööriistale)

Valikuline tarvik

Tolmukate takistab saepuru tõmbamist tööriista sisse pööratud asendis.

Paigaldage tolmukate joonisel näidatud viisil, kui kasutate tööriista koos kaubanduses saadaoleva profiilfreesi alusega.

Eemaldage see, kui kasutate tööriista normaalses asendis.

► **Joon.19:** 1. Kruvi 2. Tolmukate

Vahehoidik (nupuga tööriistale)

Valikuline tarvik

Vahehoidik takistab profiilfreesi otsaku kukkumist padrunisse, kui paigaldate profiilfreesi otsaku pööratud asendisse.

Paigaldage vahehoidik joonisel näidatud viisil, kui kasutate tööriista koos kaubanduses saadaoleva profiilfreesi alusega.

► **Joon.20:** 1. Puuripadruni mutter 2. Tsangkoonus 3. Vahepuks

Tolmu eemaldamine

Valikuline tarvik

Kasutage tolmuotsakut tolmu eraldamiseks.

► **Joon.21:** 1. Tolmuotsak

Tolmuotsaku paigaldamine

► **Joon.22:** 1. Tugi 2. Lukustushoob

1. Tõstke tolmuotsaku lukustushooba.
 2. Asetage tolmuotsak tööriista alusele nii, et tööriista alusel olev konks haaraks selle ülaosa.
 3. Sisestage tolmuotsakul olevad toed tööriista aluse esiosas olevatesse konksudesse.
 4. Suruge lukustushoob alla tööriista alusele.
 5. Ühendage tolmuotsak tolmuimejaga.
- **Joon.23**

Tolmuotsaku eemaldamine

1. Tõstke lukustushooba.
2. Tõmmake tolmuotsak tööriista alusest välja, hoides samal ajal selle tugesid pöidla ja nimetissõrmega kinni.

HOOLDUS

⚠ETTEVAATUST: Enne kontroll- või hooldustoimingute tegemist kandke alati hoolt selle eest, et tööriist oleks välja lülitatud ja vooluvõrgust lahti ühendatud.

TÄHELEPANU: Ärge kunagi kasutage bensiini, vedeldit, alkoholi ega midagi muud sarnast. Selle tulemuseks võib olla luitumine, deformatsioon või pragunemine.

Süsiharjade asendamine

► **Joon.24:** 1. Piirmärgis

Kontrollige süsiharju regulaarselt.

Vahetage need välja, kui need on piirmärgini kulunud. Hoidke süsiharjad puhtad, nii on neid lihtne hoidikutesse libistada. Mõlemad süsiharjad tuleb asendada korraga. Kasutage üksnes identseid süsiharju.

1. Kasutage harjahoidikute kaante eemaldamiseks kruvikeerajat.

2. Võtke ära kulunud süsiharjad välja, paigaldage uued ning kinnitage harjahoidikute kaaned tagasi.

► **Joon.25:** 1. Harjahoidiku vahe

Nupuga tööriista kohta

⚠ETTEVAATUST: Pärast uue sõeharja sisestamist paigaldage nupp kindlasti tagasi.

Vabastage lukustushoob ja eemaldage nupp, keerates seda vastupäeva suunas.

► **Joon.26:** 1. Nupp

MÄRKUS: Survededru tuleb nupu seest välja, see tõttu olge hoolikas ja ärge survededru ära kaotage.

Toote OHUTUSE ja TÖÖKINDLUSE tagamiseks tuleb vajalikud remonttööd ning muud hooldus- ja reguleerimistööd lasta teha Makita volitatud teeninduskeskustes või tehase teeninduskeskustes. Alati tuleb kasutada Makita varuosi.

VALIKULISED TARVIKUD

Profiilfreesi otsakud

Sirgotsak

► **Joon.27**

Ühik:mm

D	A	L1	L2
6	20	50	15
1/4"			
12	12	60	30
1/2"			
12	10	60	25
1/2"			
8	8	60	25
6	8	50	18
1/4"			
6	6	50	18
1/4"			

„U“ soone lõikamise otsak

► Joon.28

Ühik:mm

D	A	L1	L2	R
6	6	50	18	3

„V“ soone lõikamise otsak

► Joon.29

Ühik:mm

D	A	L1	L2	θ
1/4"	20	50	15	90°

Kalabasasoone freesimisotsak

► Joon.30

Ühik:mm

D	A	L1	L2	θ
8	14,5	55	10	35°
3/8"				
8	14,5	55	14,5	23°
3/8"				
8	12	50	9	30°
3/8"				

Puuriteravikuga tasaservamisotsak

► Joon.31

Ühik:mm

D	A	L1	L2	L3
12	12	60	20	35
8	8	60	20	35
6	6	60	18	28

Puuriteravikuga kahekordne tasaservamisotsak

► Joon.32

Ühik:mm

D	A	L1	L2	L3	L4
6	6	70	40	12	14

Soonelõikamisotsak

► Joon.33

Ühik:mm

D	A	L1	L2
12	30	55	6
1/2"			
12	30	55	3
1/2"			

Servatöötlemisotsak

► Joon.34

Ühik:mm

D	A1	A2	L1	L2	L3
12	38	27	61	4	20

Nurgaümardusotsak

► Joon.35

Ühik:mm

D	A1	A2	L1	L2	L3	R
6	25	9	48	13	5	8
6	20	8	45	10	4	4

Faasimisotsak

► Joon.36

Ühik:mm

D	A	L1	L2	L3	θ
6	23	46	11	6	30°
6	20	50	13	5	45°
6	20	49	14	2	60°

► Joon.37

Ühik:mm

D	A1	A2	L1	L2	L3	C
12	30	20	55	12	20	4
1/2"						

Ribitamisotsak

► Joon.38

Ühik:mm

D	A1	A2	L1	L2	L3	R
12	30	20	55	12	20	4
1/2"						

Nõgusfreesimisotsak

► Joon.39

Ühik:mm

D	A	L1	L2	R
6	20	43	8	4
6	25	48	13	8

Kuullaagritega tasaservamisotsak

► Joon.40

Ühik:mm

D	A	L1	L2
6	10	50	20
1/4"			

Kuullaagritega nurgaümardusotsak

► Joon.41

Ühik:mm

D	A1	A2	L1	L2	L3	R
6	15	8	37	7	3,5	3
6	21	8	40	10	3,5	6
1/4"	21	8	40	10	3,5	6

Kuullaagritega faasimisotsak

► Joon.42

Ühik:mm

D	A1	A2	L1	L2	θ
6	26	8	42	12	45°
1/4"					
6	20	8	41	11	60°

Kuullaagritega ribitamisisotsak

► Joon.43

Ühik:mm

D	A1	A2	A3	L1	L2	L3	R
6	20	12	8	40	10	5,5	4
6	26	12	8	42	12	4,5	7

Kuullaagritega nõgusprofili ribitamisisotsak

► Joon.44

Ühik:mm

D	A1	A2	A3	A4	L1	L2	L3	R
6	20	18	12	8	40	10	5,5	3
6	26	22	12	8	42	12	5	5

Kuullaagritega rooma tüüpi S-profili otsak

► Joon.45

Ühik:mm

D	A1	A2	L1	L2	L3	R1	R2
6	20	8	40	10	4,5	2,5	4,5
6	26	8	42	12	4,5	3	6

Topeltkuullaagritega nurgaümardusotsak

► Joon.46

Ühik:mm

D	A1	A2	A3	L1	L2	L3	R
12	35	27	19	70	11	3,5	3
1/2"							

ТЕХНИЧЕСКИЕ ХАРАКТЕРИСТИКИ

Модель:	M3602
Размер цангового патрона	12 мм или 1/2 дюйма
Вертикальный ход	0 - 60 мм
Число оборотов без нагрузки	22 000 мин ⁻¹
Общая высота	300 мм
Масса нетто	5,7 кг
Класс безопасности	▣/II

- Благодаря нашей постоянно действующей программе исследований и разработок указанные здесь технические характеристики могут быть изменены без предварительного уведомления.
- Технические характеристики могут различаться в зависимости от страны.
- Масса в соответствии с процедурой EPTA 01/2014

Назначение

Данный инструмент предназначен для зачистки заподлицо и профилирования дерева, пластмассы и подобных материалов.

Источник питания

Данный инструмент должен подключаться к источнику питания с напряжением, соответствующим напряжению, указанному на идентификационной пластине, и может работать только от однофазного источника переменного тока. Он имеет двойную изоляцию и поэтому может подключаться к розеткам без заземления.

Шум

Типичный уровень взвешенного звукового давления (A), измеренный в соответствии с EN62841-2-17:
 Уровень звукового давления (L_{pA}): 84 дБ (A)
 Уровень звуковой мощности (L_{WA}): 95 дБ (A)
 Погрешность (K): 3 дБ (A)

ПРИМЕЧАНИЕ: Заявленное значение распространения шума измерено в соответствии со стандартной методикой испытаний и может быть использовано для сравнения инструментов.

ПРИМЕЧАНИЕ: Заявленное значение распространения шума можно также использовать для предварительных оценок воздействия.

⚠ОСТОРОЖНО: Используйте средства защиты слуха.

⚠ОСТОРОЖНО: Распространение шума во время фактического использования электроинструмента может отличаться от заявленного значения в зависимости от способа применения инструмента и в особенности от типа обрабатываемой детали.

⚠ОСТОРОЖНО: Обязательно определите меры безопасности для защиты оператора, основанные на оценке воздействия в реальных условиях использования (с учетом всех этапов рабочего цикла, таких как выключение инструмента, работа без нагрузки и включение).

Вибрация

Суммарное значение вибрации (сумма векторов по трем осям), определенное в соответствии с EN62841-2-17:

Рабочий режим: резка пазов в МДФ
 Распространение вибрации (a_w): 3,1 м/с²
 Погрешность (K): 1,5 м/с²

ПРИМЕЧАНИЕ: Заявленное общее значение распространения вибрации измерено в соответствии со стандартной методикой испытаний и может быть использовано для сравнения инструментов.

ПРИМЕЧАНИЕ: Заявленное общее значение распространения вибрации можно также использовать для предварительных оценок воздействия.

⚠ОСТОРОЖНО: Распространение вибрации во время фактического использования электроинструмента может отличаться от заявленного значения в зависимости от способа применения инструмента и в особенности от типа обрабатываемой детали.

⚠ОСТОРОЖНО: Обязательно определите меры безопасности для защиты оператора, основанные на оценке воздействия в реальных условиях использования (с учетом всех этапов рабочего цикла, таких как выключение инструмента, работа без нагрузки и включение).

Декларация о соответствии ЕС

Только для европейских стран

Декларация о соответствии ЕС включена в руководство по эксплуатации (Приложение А).

Общие рекомендации по технике безопасности для электроинструментов

⚠ОСТОРОЖНО: Ознакомьтесь со всеми представленными инструкциями по технике безопасности, указаниями, иллюстрациями и техническими характеристиками, прилагаемыми к данному электроинструменту. Несоблюдение каких-либо инструкций, указанных ниже, может привести к поражению электрическим током, пожару и/или серьезной травме.

Сохраните брошюру с инструкциями и рекомендациями для дальнейшего использования.

Термин "электроинструмент" в предупреждениях относится ко всему инструменту, работающему от сети (с проводом) или на аккумуляторах (без провода).

Правила техники безопасности при эксплуатации фрезера

1. При выполнении работ существует риск контакта фрезы со шнуром питания, в связи с чем электроинструмент следует держать только за специальные изолированные поверхности. В случае разрезания находящегося под напряжением провода напряжение может передаться на металлические части инструмента, что станет причиной поражения оператора током.
2. Для фиксации разрезаемой детали на устойчивой поверхности используйте зажимы или другие соответствующие приспособления. Никогда не держите распиливаемые детали в руках и не прижимайте их к телу, так как это не обеспечит устойчивого положения детали и может привести к потере контроля над инструментом.
3. Хвостовик фрезы должен подходить к имеющемуся цанговому патрону.
4. Используйте только фрезу, которая рассчитана, как минимум, на максимальную указанную на инструменте рабочую частоту.
5. В случае длительного использования инструмента используйте средства защиты слуха.
6. Аккуратно обращайтесь с фрезами.
7. Перед эксплуатацией тщательно осмотрите фрезу и убедитесь в отсутствии трещин или повреждений. Немедленно замените треснувшую или поврежденную фрезу.
8. Избегайте попадания режущего инструмента на гвозди. Перед выполнением работ осмотрите деталь и удалите из нее все гвозди.
9. Крепко держите инструмент обеими руками.

10. Руки должны находиться на расстоянии от вращающихся деталей.
11. Перед включением выключателя убедитесь, что фреза не касается детали.
12. Перед использованием инструмента на реальной детали дайте ему немного поработать вхолостую. Убедитесь в отсутствии вибрации или биения, которые могут свидетельствовать о неправильной установке фрезы.
13. Помните о направлении вращения фрезы и направлении ее подачи.
14. Не оставляйте работающий инструмент без присмотра. Включайте инструмент только тогда, когда он находится в руках.
15. Перед извлечением инструмента из детали всегда выключайте его и ждите, пока фреза полностью остановится.
16. Сразу после окончания работ не прикасайтесь к фрезе. Она может быть очень горячей, что приведет к ожогам кожи.
17. Не выполняйте очистку основания инструмента растворителями, бензином или схожими веществами. Они могут привести к растрескиванию основания инструмента.
18. Некоторые материалы могут содержать токсичные химические вещества. Примите соответствующие меры предосторожности, чтобы избежать вдыхания или контакта с кожей таких веществ. Соблюдайте требования, указанные в паспорте безопасности материала.
19. Обязательно используйте соответствующую пылезащитную маску/респиратор для защиты дыхательных путей от пыли разрезаемых материалов.
20. Установите инструмент на устойчивую поверхность. В противном случае инструмент может упасть и причинить травму.
21. Следите, чтобы шнур не путался под ногами и не цеплялся за окружающие предметы. Иначе вы можете запутаться в шнуре, упасть и получить травму.

СОХРАНИТЕ ДАННЫЕ ИНСТРУКЦИИ.

⚠ОСТОРОЖНО: НЕ ДОПУСКАЙТЕ, чтобы удобство или опыт эксплуатации данного устройства (полученный от многократного использования) доминировали над строгим соблюдением правил техники безопасности при обращении с этим устройством. НЕПРАВИЛЬНОЕ ИСПОЛЬЗОВАНИЕ инструмента или несоблюдение правил техники безопасности, указанных в данном руководстве, может привести к тяжелой травме.

ОПИСАНИЕ РАБОТЫ

▲ВНИМАНИЕ: Перед регулировкой или проверкой функций инструмента обязательно убедитесь, что он выключен и его вилка вынута из розетки.

Регулировка глубины реза

Установите инструмент на плоскую поверхность. Ослабьте рычаг блокировки и опустите корпус инструмента так, чтобы фреза коснулась поверхности. Затяните рычаг блокировки, чтобы зафиксировать корпус инструмента. Нажимая на кнопку быстрой подачи, поднимайте или опускайте стопорную опору до достижения необходимой глубины реза. Точной регулировки глубины можно добиться путем вращения стопорной опоры (1,5 мм (1/16 дюйма) за оборот).

► **Рис.1:** 1. Нейлоновая гайка 2. Стопорная опора 3. Кнопка быстрой подачи 4. Регулировочный шестигранный болт 5. Стопорный блок 6. Рычаг блокировки

▲ВНИМАНИЕ: Глубина реза не должна превышать 20 мм (13/16 дюйма) за один проход при резке пазов. При резке очень глубоких пазов делайте два или три прохода, постепенно увеличивая глубину фрезы.

Нейлоновая гайка

Для инструмента без ручки

Верхний предел корпуса инструмента можно регулировать поворотом нейлоновой гайки. Не опускайте нейлоновую гайку слишком низко. Это приведет к опасному выдвигению фрезы.

Для инструмента с ручкой

Для регулировки верхнего предельного положения корпуса инструмента поверните ручку. В том случае, если конец фрезы выйдет на большую длину по отношению к поверхности опорной пластины, чем необходимо, поверните ручку, чтобы уменьшить верхнее предельное положение.

► **Рис.2:** 1. Круглая ручка

▲ВНИМАНИЕ: Так как чрезмерная резка может привести к перегрузке двигателя или трудностям в управлении инструментом, глубина реза не должна превышать 20 мм (13/16 дюйма) за один проход при резке пазов. Если вы хотите вырезать пазы глубиной более 20 мм (13/16 дюйма), сделайте несколько проходов, постепенно увеличивая глубину фрезы.

▲ВНИМАНИЕ: Не опускайте ручку слишком низко. Это приведет к опасному выдвигению фрезы.

Стопорный блок

Так как стопорный блок имеет три регулировочных болта с шестигранной головкой, которые поднимаются или опускаются с шагом 0,8 мм за оборот, можно легко настроить три различные глубины резы без изменения положения стопорной опоры.

► **Рис.3:** 1. Стопорная опора 2. Регулировочный болт с шестигранной головкой 3. Стопорный блок

Отрегулируйте нижний регулировочный болт с шестигранной головкой, чтобы получить максимальную глубину резы, руководствуясь инструкциями в разделе "Регулировка глубины резы".

Отрегулируйте остальные два болта с шестигранной головкой для обеспечения меньшей глубины резы. Различия этих регулировочных болтов с шестигранной головкой по высоте указывают на различия уровней глубины резы.

Для регулировки этих регулировочных болтов с шестигранной головкой используется отвертка или гаечный ключ. Стопорный блок также удобно использовать для выполнения тройного прохода с последовательным увеличением глубины погружения фрезы при вырезании глубоких пазов.

Действие выключателя

▲ВНИМАНИЕ: Перед включением инструмента в розетку всегда проверяйте, выключен ли инструмент.

▲ВНИМАНИЕ: Перед включением переключателя убедитесь, что фиксатор вала открыт.

Чтобы включить инструмент, переведите рычаг переключателя в положение "I".

Чтобы выключить инструмент, переведите рычаг переключателя в положение "O".

► **Рис.4:** 1. Рычаг переключателя

▲ВНИМАНИЕ: При выключении инструмента крепко держите инструмент, чтобы погасить противодействие.

Электронная функция

Для простоты эксплуатации инструмент оснащен электронными функциями.

Индикаторная лампа

► **Рис.5:** 1. Индикаторная лампа

При подключении инструмента к сети питания загорается зеленая индикаторная лампа. Если индикаторная лампа не загорается, это свидетельствует о неисправности сетевого шнура или контроллера. Если индикаторная лампа горит, а инструмент не включается даже при нажатом выключателе, это свидетельствует либо об износе угольных щеток, либо о неисправности контроллера, электродвигателя или переключателя ВКЛ/ВЫКЛ.

Защита от случайного включения

Когда рычаг переключателя находится в положении I, инструмент не будет запускаться, даже если он подключен к сети питания.

В это время индикаторная лампа будет мигать красным, указывая на то, что активировано устройство защиты от случайного включения.

Для отключения защиты от случайного включения переместите рычаг переключателя в положение O.

Функция плавного запуска

Функция плавного запуска уменьшает пусковой удар и обеспечивает плавность запуска инструмента.

СБОРКА

ВНИМАНИЕ: Перед проведением каких-либо работ с инструментом обязательно проверяйте, что инструмент выключен, а шнур питания вынут из розетки.

Установка или снятие фрезы

Вставьте фрезу до конца в цанговый конус. Надавите на фиксатор вала, чтобы зафиксировать вал, и надежно затяните цанговую гайку с помощью гаечного ключа.

При использовании фрезера с хвостовиком меньшего диаметра, сначала вставьте соответствующую цанговую втулку в цанговый конус, затем установите фрезу. Чтобы снять фрезу, выполните действия по установке в обратной последовательности.

► **Рис.6:** 1. Фиксатор вала 2. Гаечный ключ
3. Ослабить 4. Затянуть

ВНИМАНИЕ: Надежно устанавливайте фрезу. Всегда пользуйтесь только ключом, поставленным вместе с инструментом. Незатянутая или перетянутая фреза может быть опасна.

ПРИМЕЧАНИЕ: Не затягивайте цанговую гайку, не вставляя фрезу, и не устанавливайте фрезы с небольшими хвостовиками без цанговой втулки. Любое из этих действий может привести к поломке цангового конуса.

ЭКСПЛУАТАЦИЯ

ВНИМАНИЕ: Перед эксплуатацией всегда проверяйте, что корпус инструмента автоматически поднимается до верхнего предела, а фреза не выступает из основания корпуса при откручивании рычага блокировки.

ВНИМАНИЕ: Перед эксплуатацией всегда проверяйте, что отражатель опилок установлен надлежащим образом.

ВНИМАНИЕ: Во время работы всегда крепко держите инструмент за обе рукоятки.

► **Рис.7:** 1. Отражатель опилок

Установите основание инструмента на распиливаемую деталь так, чтобы фреза не касалась детали. Затем включите инструмент и дождитесь, пока фреза наберет полную скорость. Опустите корпус инструмента и двигайте инструмент вперед по поверхности обрабатываемой детали, держа основание инструмента заподлицо и плавно продвигая его до завершения резки.

При осуществлении резки кромки, поверхность обрабатываемой детали должна находиться слева от фрезы в направлении подачи.

► **Рис.8:** 1. Обрабатываемая деталь
2. Направление вращения фрезы 3. Вид сверху инструмента 4. Направление подачи

ПРИМЕЧАНИЕ: Слишком быстрое перемещение инструмента вперед может ухудшить качество резки или повредить фрезу или двигатель. Слишком медленное перемещение инструмента вперед может привести к сжиганию и порче выреза. Надлежащая скорость подачи будет зависеть от размера фрезы, типа обрабатываемой детали и глубины резки.

Перед осуществлением резки на фактической обрабатываемой детали, рекомендуется сделать пробный вырез на куске ненужного пиломатериала. Это позволит точно узнать, как будет выглядеть вырез, а также проверить размеры.

ПРИМЕЧАНИЕ: При использовании прямой направляющей или кромкообрезной направляющей, обязательно устанавливайте ее на правой стороне в направлении подачи. Это поможет удерживать ее заподлицо с боковой стороны обрабатываемой детали.

► **Рис.9:** 1. Направление подачи 2. Направление вращения фрезы 3. Обрабатываемая деталь 4. Прямая направляющая

Прямая направляющая

Прямая направляющая эффективно используется для осуществления прямых вырезов при снятии фасок или резке пазов.

Прямая направляющая (тип А)

Дополнительные принадлежности

При помощи винта с накатанной головкой (В) установите прямую направляющую на держатель. Вставьте держатель направляющей в отверстия основания инструмента и затяните винтом с накатанной головкой (А). Для настройки расстояния между фрезой и прямой направляющей ослабьте винт с накатанной головкой (В) и поверните винт точной регулировки. Отрегулировав необходимый зазор, затяните винт с накатанной головкой (В), чтобы зафиксировать прямую направляющую.

► **Рис.10:** 1. Держатель направляющей 2. Винт точной регулировки 3. Прямая направляющая

Прямая направляющая (тип В)

Дополнительные принадлежности

Вставьте прямую направляющую в отверстия основания инструмента и затяните винтом с накатанной головкой. Чтобы отрегулировать зазор между фрезой и прямой направляющей, ослабьте винт с накатанной головкой. Отрегулировав необходимый зазор, затяните винт с накатанной головкой, чтобы зафиксировать прямую направляющую.

► **Рис.11:** 1. Винт с накатанной головкой 2. Прямая направляющая

При резке перемещайте инструмент, держа прямую направляющую заподлицо с боковой стороной обрабатываемой детали.

Более широкую прямую направляющую необходимых размеров можно сделать, используя удобные отверстия в направляющей и прикрутив к ней болтами дополнительные деревянные детали.

При использовании фрезы большого диаметра прикрепите к прямой направляющей деревянные детали толщиной более 15 мм (5/8 дюйма), чтобы фреза не ударялась о прямую направляющую.

► **Рис.12:** 1. Прямая направляющая 2. Дерево

A=55 мм (2-3/16 дюйма)

B=55 мм (2-3/16 дюйма)

C=15 мм (5/8 дюйма) или толще

Профильная направляющая

Дополнительные принадлежности

Профильная направляющая оснащена втулкой, через которую проходит фреза, что позволяет использовать фрезер с профильными шаблонами.

► **Рис.13**

1. Ослабьте винты в основании, вставьте профильную направляющую и затяните винты.

► **Рис.14:** 1. Винты 2. Профильная направляющая

2. Прикрепите профиль к обрабатываемой детали. Установите инструмент на профиль и перемещайте его, продвигая профильную направляющую вдоль боковой стороны профиля.

► **Рис.15:** 1. Фреза 2. Основание 3. Опорная пластина 4. Профиль 5. Обрабатываемая деталь 6. Профильная направляющая

ПРИМЕЧАНИЕ: Размер вырезанной обрабатываемой детали будет немного отличаться от размера профиля. Оставьте расстояние (X) между фрезой и внешней стороной профильной направляющей. Расстояние (X) можно вычислить при помощи следующего уравнения:

Расстояние (X) = (наружный диаметр профильной направляющей – диаметр фрезы) / 2

Кромкообрезная направляющая

Резка кромок и изогнутых линий по облицовочным панелям мебели и прочие подобные работы можно выполнять с помощью кромкообрезной направляющей. Направляющий ролик перемещается по кривой и гарантирует аккуратную резку.

Кромкообрезная направляющая (тип А)

Дополнительные принадлежности

При помощи винта с накатанной головкой (В) установите кромкообрезную направляющую на держатель. Вставьте держатель направляющей в отверстия основания инструмента и затяните винтом с накатанной головкой (А). Для настройки расстояния между фрезой и кромкообрезной направляющей ослабьте винт с накатанной головкой (В) и поверните винт точной регулировки. При перемещении направляющего ролика вверх или вниз ослабьте винт с накатанной головкой (С). После окончания регулировки надежно затяните винты с накатанной головкой.

► **Рис.16:** 1. Держатель направляющей 2. Винт точной регулировки 3. Кромкообрезная направляющая 4. Направляющий ролик

Кромкообрезная направляющая (тип В)

Дополнительные принадлежности

Используя винты с накатанной головкой (В), установите кромкообрезную направляющую на прямую направляющую. Вставьте прямую направляющую в отверстия основания инструмента и затяните винт с накатанной головкой (А). Чтобы отрегулировать зазор между фрезой и кромкообрезной направляющей, ослабьте винты с накатанной головкой (В). При перемещении направляющего ролика вверх или вниз ослабляйте винт с накатанной головкой (С). После окончания регулировки надежно затяните винты с накатанной головкой.

► **Рис.17:** 1. Направляющий ролик
2. Кромкообрезная направляющая

При резке перемещайте инструмент так, чтобы направляющий ролик перемещался по боковой стороне обрабатываемой детали.

► **Рис.18:** 1. Фреза 2. Направляющий ролик
3. Обрабатываемая деталь

Пылезащитный кожух (для инструмента с ручкой)

Дополнительные принадлежности

Пылезащитный кожух предотвращает засасывание опилок в инструмент, когда он используется в перевернутом положении.

Установите пылезащитный кожух как показано на рисунке при использовании инструмента со стойкой фасонной фрезой (доступна на рынке).

Снимите ее при использовании инструмента в стандартном положении.

► **Рис.19:** 1. Винт 2. Пылезащитный кожух

Проставка (для инструмента с ручкой)

Дополнительные принадлежности

Проставка предотвращает падение фрезы в патрон во время ее замены в перевернутом положении. При использовании инструмента с фрезерной стойкой (доступна на рынке) вставьте проставку, как показано на рисунке.

- **Рис.20:** 1. Цанговая гайка 2. Цанговый конус
3. Проставка

Сбор пыли

Дополнительные принадлежности

Используйте пылесборный патрубок для удаления пыли.

- **Рис.21:** 1. Пылесборный патрубок

Установка пылесборного патрубка

- **Рис.22:** 1. Опора 2. Рычаг блокировки

1. Поднимите рычаг блокировки пылесборного патрубка.
 2. Установите пылесборный патрубок на основании инструмента так, чтобы его верхняя часть защелкнулась за крючок в основании инструмента.
 3. Вставьте опоры на пылесборном патрубке в крючки в передней части основания инструмента.
 4. Надавите на рычаг блокировки на основании инструмента.
 5. Подсоедините пылесос к пылесборному патрубку.
- **Рис.23**

Снятие пылесборного патрубка

1. Поднимите рычаг блокировки.
2. Стяните пылесборный патрубок с основания инструмента, удерживая опоры большим и указательным пальцами.

ОБСЛУЖИВАНИЕ

⚠ ВНИМАНИЕ: Перед проверкой или проведением техобслуживания убедитесь, что инструмент выключен, а штекер отсоединен от розетки.

ПРИМЕЧАНИЕ: Запрещается использовать бензин, растворители, спирт и другие подобные жидкости. Это может привести к обесцвечиванию, деформации и трещинам.

Замена угольных щеток

- **Рис.24:** 1. Ограничительная метка

Регулярно проверяйте угольные щетки. Замените, когда износ достигнет ограничительной метки. Угольные щетки всегда должны быть чистыми и свободно перемещаться в держателях. Заменяйте обе угольные щетки одновременно. Используйте только идентичные угольные щетки.

1. Используйте отвертку для снятия колпачков держателей щеток.
 2. Извлеките изношенные угольные щетки, вставьте новые и закрутите колпачков держателей щеток.
- **Рис.25:** 1. Колпачок держателя щетки

Для инструмента с ручкой

⚠ ВНИМАНИЕ: После установки новой угольной щетки установите ручку на место.

Отпустите рычаг блокировки и снимите рукоятку, повернув ее против часовой стрелки.

- **Рис.26:** 1. Круглая ручка

ПРИМЕЧАНИЕ: Из ручки выйдет пружина сжатия, поэтому соблюдайте осторожность, чтобы не потерять пружину.

Для обеспечения БЕЗОПАСНОСТИ и НАДЕЖНОСТИ обслуживания ремонт, любое другое техобслуживание или регулировку необходимо производить в уполномоченных сервис-центрах Makita или сервис-центрах предприятия с использованием только сменных частей производства Makita.

ДОПОЛНИТЕЛЬНЫЕ ПРИНАДЛЕЖНОСТИ

Фрезы

Прямая фреза

- **Рис.27**

Единица: мм

D	A	L1	L2
6	20	50	15
1/4 дюйма			
12	12	60	30
1/2 дюйма			
12	10	60	25
1/2 дюйма			
8	8	60	25
6			
1/4 дюйма	8	50	18
6			
1/4 дюйма	6	50	18
6			

U-образная фреза

► Рис.28

Единица: мм

D	A	L1	L2	R
6	6	50	18	3

V-образная фреза

► Рис.29

Единица: мм

D	A	L1	L2	θ
1/4 дюйма	20	50	15	90°

Фреза типа "ласточкин хвост"

► Рис.30

Единица: мм

D	A	L1	L2	θ
8	14,5	55	10	35°
3/8 дюйма				
8	14,5	55	14,5	23°
3/8 дюйма				
8	12	50	9	30°
3/8 дюйма				

Фреза для зачистки точек сверления

► Рис.31

Единица: мм

D	A	L1	L2	L3
12	12	60	20	35
8	8	60	20	35
6	6	60	18	28

Фреза для двойной зачистки кромок точек сверления

► Рис.32

Единица: мм

D	A	L1	L2	L3	L4
6	6	70	40	12	14

Шлицевая фреза

► Рис.33

Единица: мм

D	A	L1	L2
12	30	55	6
1/2 дюйма			
12	30	55	3
1/2 дюйма			

Фреза для вырезов соединений панелей

► Рис.34

Единица: мм

D	A1	A2	L1	L2	L3
12	38	27	61	4	20

Фреза для закругления углов

► Рис.35

Единица: мм

D	A1	A2	L1	L2	L3	R
6	25	9	48	13	5	8
6	20	8	45	10	4	4

Фреза для снятия фасок

► Рис.36

Единица: мм

D	A	L1	L2	L3	θ
6	23	46	11	6	30°
6	20	50	13	5	45°
6	20	49	14	2	60°

► Рис.37

Единица: мм

D	A1	A2	L1	L2	L3	C
12	30	20	55	12	20	4
1/2 дюйма						

Фреза для забортовки

► Рис.38

Единица: мм

D	A1	A2	L1	L2	L3	R
12	30	20	55	12	20	4
1/2 дюйма						

Фреза для выкружки

► Рис.39

Единица: мм

D	A	L1	L2	R
6	20	43	8	4
6	25	48	13	8

Подшипниковая фреза для зачатки кромок

► Рис.40

Единица: мм

D	A	L1	L2
6	10	50	20
1/4 дюйма			

Подшипниковая фреза для закругления углов

► Рис.41

Единица: мм

D	A1	A2	L1	L2	L3	R
6	15	8	37	7	3,5	3
6	21	8	40	10	3,5	6
1/4 дюйма	21	8	40	10	3,5	6

Подшипниковая фреза для снятия фасок

► Рис.42

Единица: мм

D	A1	A2	L1	L2	θ
6	26	8	42	12	45°
1/4 дюйма					
6	20	8	41	11	60°

Подшипниковая фреза для забортовки

► Рис.43

Единица: мм

D	A1	A2	A3	L1	L2	L3	R
6	20	12	8	40	10	5,5	4
6	26	12	8	42	12	4,5	7

Подшипниковая фреза для выкружки

► Рис.44

Единица: мм

D	A1	A2	A3	A4	L1	L2	L3	R
6	20	18	12	8	40	10	5,5	3
6	26	22	12	8	42	12	5	5

Подшипниковая фреза для S-образного профиля

► Рис.45

Единица: мм

D	A1	A2	L1	L2	L3	R1	R2
6	20	8	40	10	4,5	2,5	4,5
6	26	8	42	12	4,5	3	6

Фреза для закругления углов с двумя подшипниками

► Рис.46

Единица: мм

D	A1	A2	A3	L1	L2	L3	R
12	35	27	19	70	11	3,5	3
1/2 дюйма							

Makita Europe N.V. Jan-Baptist Vinkstraat 2,
3070 Kortenberg, Belgium

Makita Corporation 3-11-8, Sumiyoshi-cho,
Anjo, Aichi 446-8502 Japan

www.makita.com

885910-985
EN, SV, NO, FI, DA,
LV, LT, ET, RU
20210624