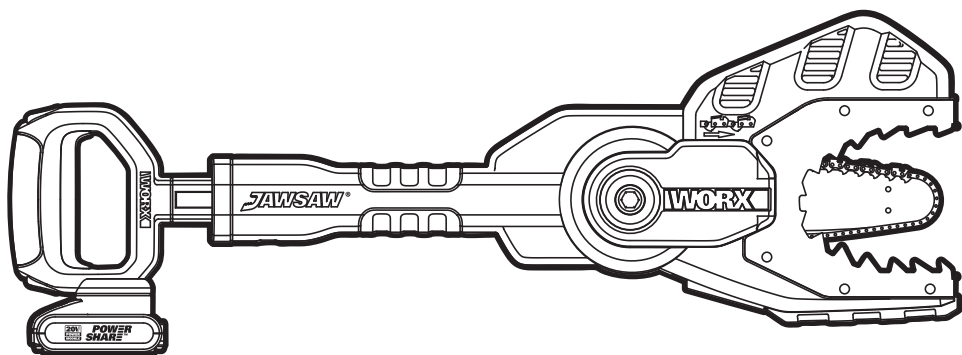


# WORX®



## JAWSAW®



Cordless Limbing and Trimming Chain Saw

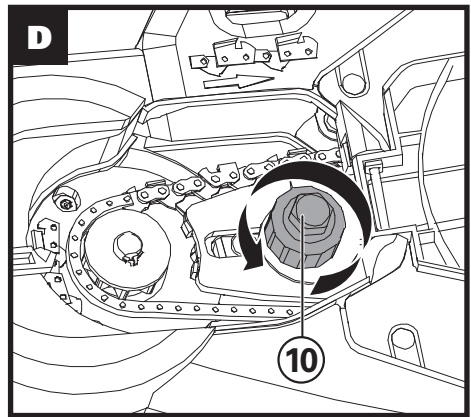
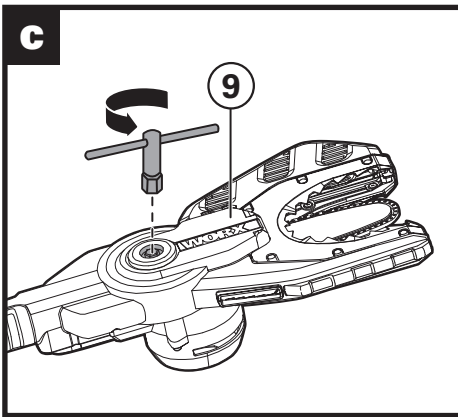
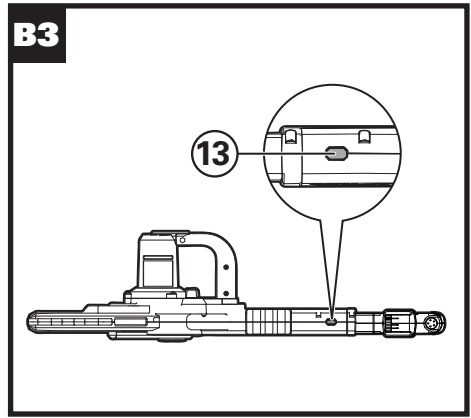
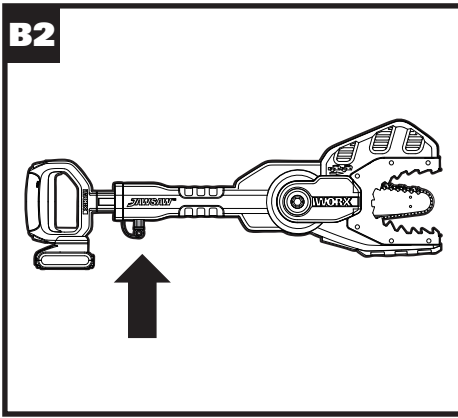
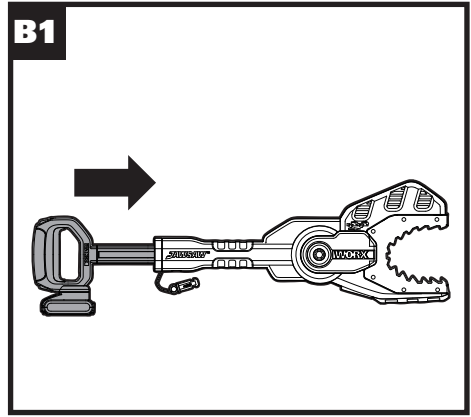
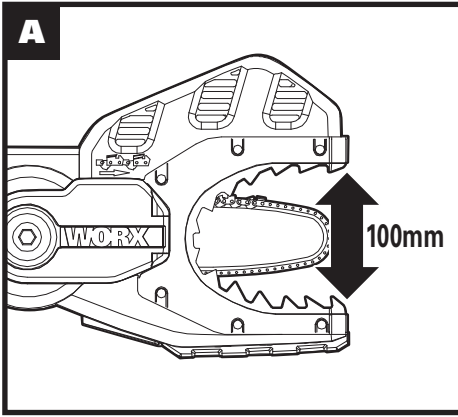
EN P08

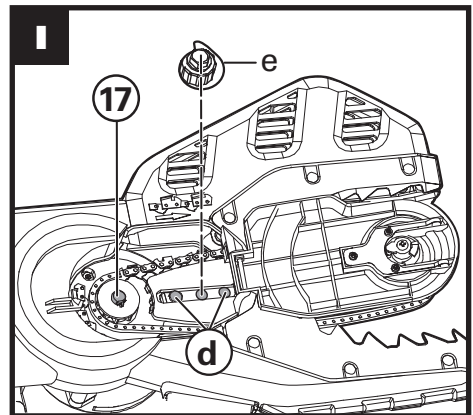
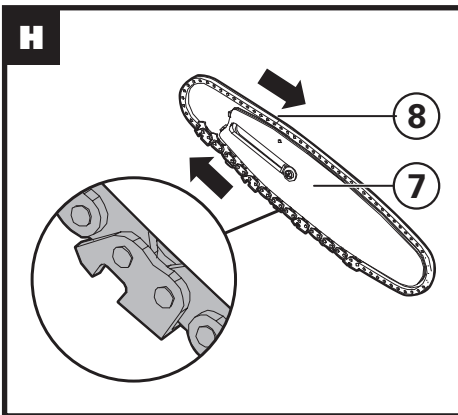
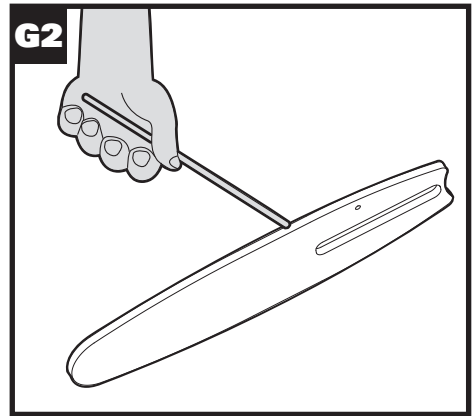
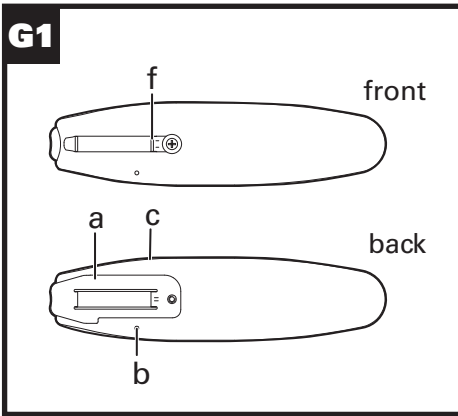
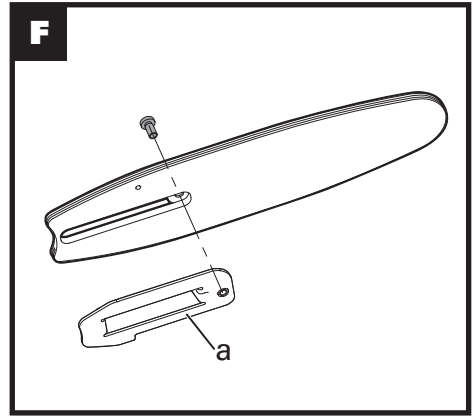
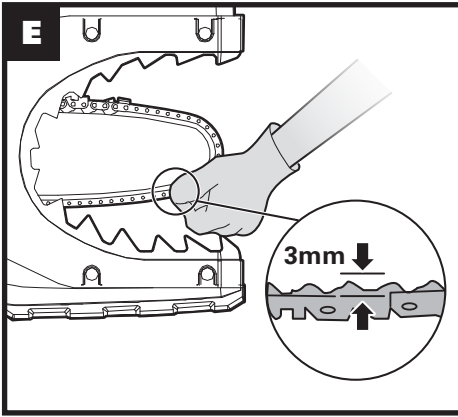
Цепная пила 20V/15cm Li

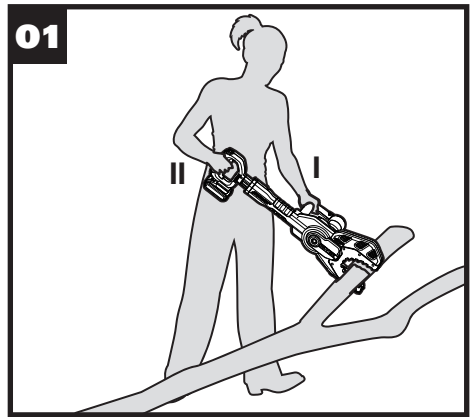
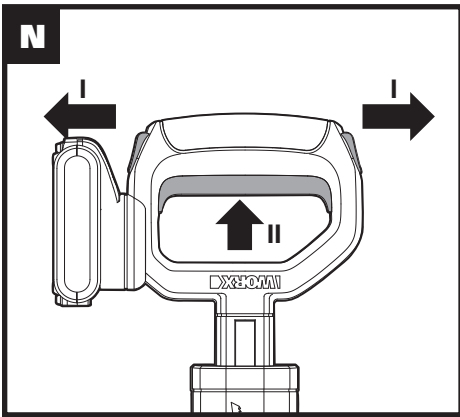
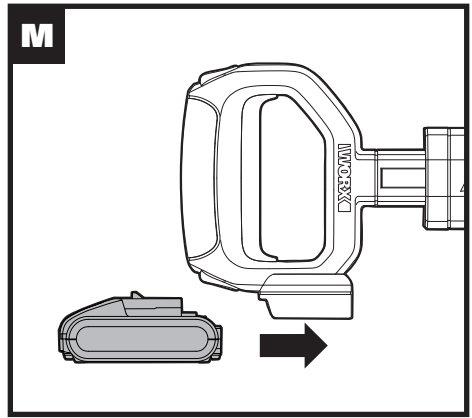
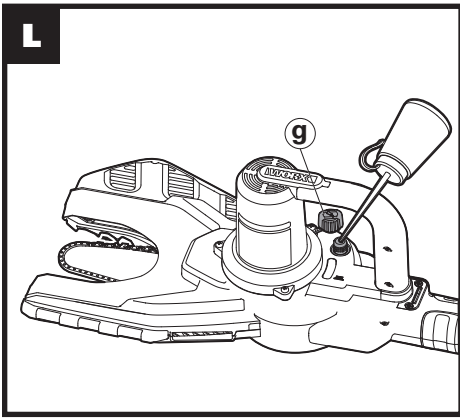
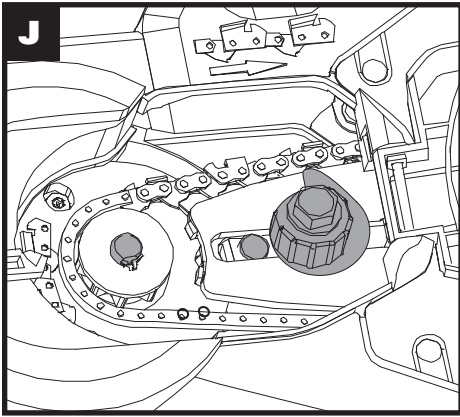
RU P17

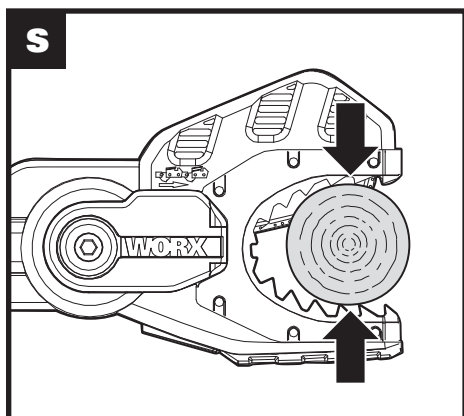
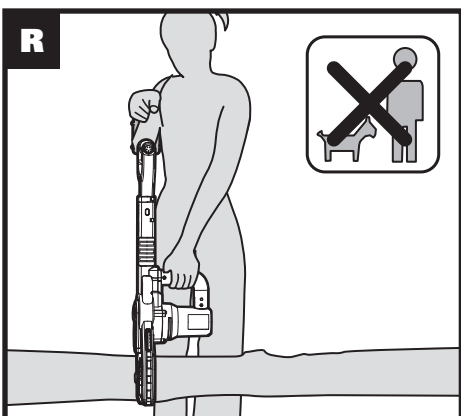
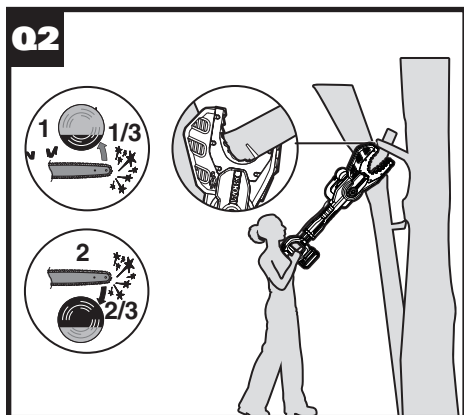
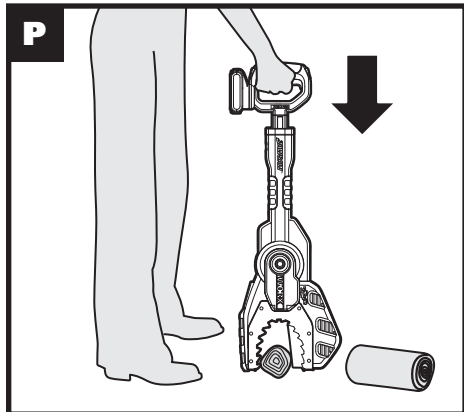
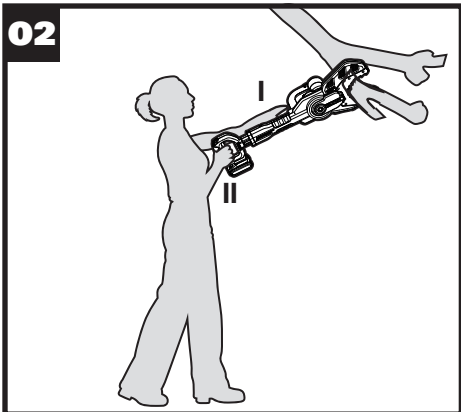
### WG329E WG329E.5 WG329E.9

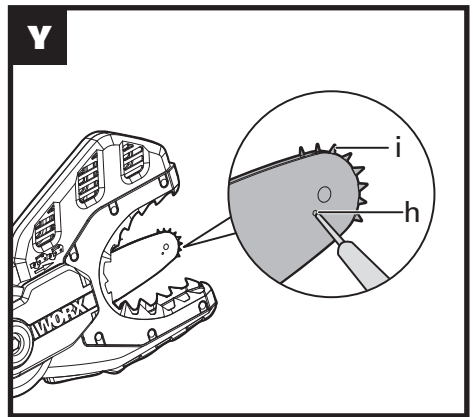
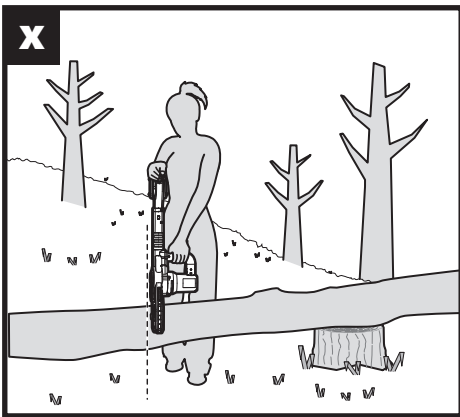
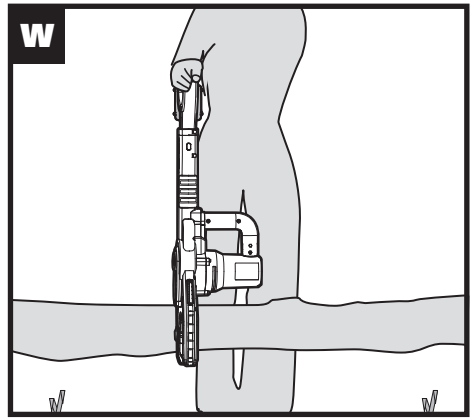
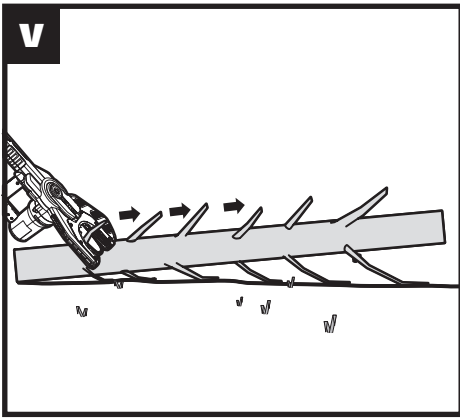
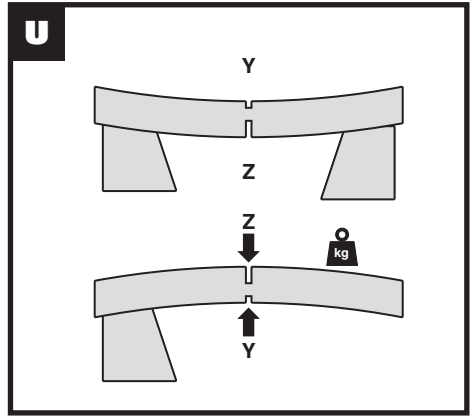
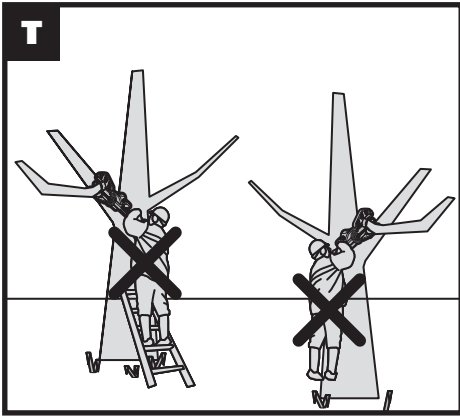












# ORIGINAL INSTRUCTIONS

## GENERAL POWER TOOL SAFETY WARNINGS



**WARNING: Read all safety warnings and all instructions.** Failure to follow the warnings and instructions may result in electric shock, fire and/or serious injury. **Save all warnings and instructions for future reference.**

The term "power tool" in the warnings refers to your mains-operated (corded) power tool or battery-operated (cordless) power tool.

### 1. WORK AREA SAFETY

- a) **Keep work area clean and well lit.** Cluttered or dark areas invite accidents.
- b) **Do not operate power tools in explosive atmospheres, such as in the presence of flammable liquids, gases or dust.** Power tools create sparks which may ignite the dust or fumes.
- c) **Keep children and bystanders away while operating a power tool.** Distractions can cause you to lose control.

### 2. ELECTRICAL SAFETY

- a) **Power tool plugs must match the outlet. Never modify the plug in any way. Do not use any adapter plugs with earthed (grounded) power tools.** Unmodified plugs and matching outlets will reduce risk of electric shock.
- b) **Avoid body contact with earthed or grounded surfaces, such as pipes, radiators, ranges and refrigerators.** There is an increased risk of electric shock if your body is earthed or grounded.
- c) **Do not expose power tools to rain or wet conditions.** Water entering a power tool will increase the risk of electric shock.
- d) **Do not abuse the cord. Never use the cord for carrying, pulling or unplugging the power tool. Keep cord away from heat, oil, sharp edges or moving parts.** Damaged or entangled cords increase the risk of electric shock.
- e) **When operating a power tool outdoors, use an extension cord suitable for outdoor use.** Use of a cord suitable for outdoor use reduces the risk of electric shock.
- f) **If operating a power tool in a damp location is unavoidable, use a residual current device (RCD) protected supply.** Use of an RCD reduces the risk of electric shock.

### 3. PERSONAL SAFETY

- a) **Stay alert, watch what you are doing and use common sense when operating a power tool. Do not use a power tool while you are tired or under the influence of**

**drugs, alcohol or medication.** A moment of inattention while operating power tools may result in serious personal injury.

- b) **Use personal protective equipment. Always wear eye protection.** Protective equipment such as dust mask, non-skid safety shoes, hard hat, or hearing protection used for appropriate conditions will reduce personal injuries.
  - c) **Prevent unintentional starting. Ensure the switch is in the off-position before connecting to power source and/or battery pack, picking up or carrying the tool.** Carrying power tools with your finger on the switch or energising power tools that have the switch on invites accidents.
  - d) **Remove any adjusting key or wrench before turning the power tool on.** A wrench or a key left attached to a rotating part of the power tool may result in personal injury.
  - e) **Do not overreach. Keep proper footing and balance at all times.** This enables better control of the power tool in unexpected situations.
  - f) **Dress properly. Do not wear loose clothing or jewellery. Keep your hair, clothing and gloves away from moving parts.** Loose clothes, jewellery or long hair can be caught in moving parts.
  - g) **If devices are provided for the connection of dust extraction and collection facilities, ensure these are connected and properly used.** Use of dust collection can reduce dust-related hazards.
- ### 4. POWER TOOL USE AND CARE
- a) **Do not force the power tool. Use the correct power tool for your application.** The correct power tool will do the job better and safer at the rate for which it was designed.
  - b) **Do not use the power tool if the switch does not turn it on and off.** Any power tool that cannot be controlled with the switch is dangerous and must be repaired.
  - c) **Disconnect the plug from the power source and/or the battery pack from the power tool before making any adjustments, changing accessories, or storing power tools.** Such preventive safety measures reduce the risk of starting the power tool accidentally.
  - d) **Store idle power tools out of the reach of children and do not allow persons unfamiliar with the power tool or these instructions to operate the power tool.** Power tools are dangerous in the hands of untrained users.
  - e) **Maintain power tools. Check for misalignment or binding of moving parts, breakage of parts and any other condition that may affect the power tool's operation. If damaged, have the power tool repaired before use.** Many accidents are caused by poorly maintained power tools.



- f) **Keep cutting tools sharp and clean.** Properly maintained cutting tools with sharp cutting edges are less likely to bind and are easier to control.
- g) **Use the power tool, accessories and tool bits etc. in accordance with these instructions, taking into account the working conditions and the work to be performed.** Use of the power tool for operations different from those intended could result in a hazardous situation.
- 5. BATTERY TOOL USE AND CARE**
- a) **Recharge only with the charger specified by the manufacturer.** A charger that is suitable for one type of battery pack may create a risk of fire when used with another battery pack.
- b) **Use power tools only with specifically designated battery packs.** Use of any other battery packs may create a risk of injury and fire.
- c) **When battery pack is not in use, keep it away from other metal objects, like paper clips, coins, keys, nails, screws or other small metal objects, that can make a connection from one terminal to another.** Shorting the battery terminals together may cause burns or a fire.
- d) **Under abusive conditions, liquid may be ejected from the battery; avoid contact. If contact accidentally occurs, flush with water. If liquid contacts eyes, additionally seek medical help.** Liquid ejected from the battery may cause irritation or burns.
- 6. SERVICE**
- a) **Have your power tool serviced by a qualified repair person using only identical replacement parts.** This will ensure that the safety of the power tool is maintained.

## JAW SAW SAFETY WARNINGS





- 1. Keep all parts of the body away from the saw chain when the jaw saw is operating. Before you start the jaw saw, make sure the saw chain is not contacting anything.** A moment of inattention while operating jaw saws may cause entanglement of your clothing or body with the saw chain.
- 2. Always hold the jaw saw with your right hand on the rear handle and your left hand on the front handle.** Holding the jaw saw with a reversed hand configuration increases the risk of personal injury and should never be done.
- 3. We ar safety glasses and hearing protection. Further protective equipment for head, hands, legs and feet is recommended.** Adequate protective clothing will reduce personal injury by flying debris or accidental contact with the saw chain.

- 4. Do not operate a jaw saw in a tree.** Operation of a jaw saw while up in a tree may result in personal injury.
- 5. Always keep proper footing and operate the jaw saw only when standing on fixed, secure and level surface.** Slippery or unstable surfaces such as ladders may cause a loss of balance or control of the jaw saw.
- 6. When cutting a limb that is under tension be alert for spring back.** When the tension in the wood fibres is released the spring loaded limb may strike the operator and/or throw the jaw saw out of control.
- 7. Use extreme caution when cutting brush and saplings.** The slender material may catch the saw chain and be whipped toward you or pull you off balance.
- 8. Follow instructions for lubricating, chain tensioning and changing accessories.** Improperly tensioned or lubricated chain may either break or increase the chance for kickback.
- 9. Keep handles dry, clean, and free from oil and grease.** Greasy, oily handles are slippery causing loss of control.
- 10. Cut wood only. Do not use jaw saw for purposes not intended. For example: do not use jaw saw for cutting plastic, masonry or non-wood building materials.** Use of the jaw saw for operations different than intended could result in a hazardous situation.
- 11. Hold the power tool by insulated gripping surfaces only, because the saw chain may contact hidden wiring.** Saw chains contacting a "live" wire may make exposed metal parts of the power tool "live" and could give the operator an electric shock.

## SAFETY WARNINGS FOR BATTERY PACK

- a) Do not dismantle, open or shred cells or battery pack.**
- b) Do not short-circuit a battery pack. Do not store battery packs haphazardly in a box or drawer where they may short-circuit each other or be short-circuited by conductive materials.** When battery pack is not in use, keep it away from other metal objects, like paper clips, coins, keys, nails, screws or other small metal objects, that can make a connection from one terminal to another. Shorting the battery terminals together may cause burns or a fire.
- c) Do not expose battery pack to heat or fire. Avoid storage in direct sunlight.**
- d) Do not subject battery pack to mechanical shock.**
- e) In the event of battery leaking, do not allow the liquid to come into contact with the skin or eyes. If contact has been made, wash the affected area with copious amounts of water and seek medical advice.**

- f) **Seek medical advice immediately if a cell or battery pack has been swallowed.**
- g) **Keep battery pack clean and dry.**
- h) **Wipe the battery pack terminals with a clean dry cloth if they become dirty.**
- i) **Battery pack needs to be charged before use. Always refer to this instruction and use the correct charging procedure.**
- j) **Do not maintain battery pack on charge when not in use.**
- k) **After extended periods of storage, it may be necessary to charge and discharge the battery pack several times to obtain maximum performance.**
- l) **Battery pack gives its best performance when it is operated at normal room temperature (20°C ± 5°C).**
- m) **When disposing of battery packs, keep battery packs of different electrochemical systems separate from each other.**
- n) **Recharge only with the charger specified by WORX. Do not use any charger other than that specifically provided for use with the equipment.** A charger that is suitable for one type of battery pack may create a risk of fire when used with another battery pack.
- o) **Do not use any battery pack which is not designed for use with the equipment.**
- p) **Keep battery pack out of the reach of children.**
- q) **Retain the original product literature for future reference.**
- r) **Remove the battery from the equipment when not in use.**
- s) **Dispose of properly.**

	Do not expose to rain or water
	Do not burn
 Li-Ion	Do not dispose of batteries, Return exhausted batteries to your local collection or recycling point.
	Waste electrical products must not be disposed of with household waste. Please recycle where facilities exist. Check with your local authorities or retailer for recycling advice.

## COMPONENT LIST

1. REAR HANDLE
2. TRIGGER SWITCH
3. LOCK OUT BUTTON
4. FRONT HANDLE
5. MOTOR
6. JAW TEETH
7. GUIDE BAR
8. SAW CHAIN
9. CHAIN ACCESS COVER
10. CHAIN ACCESS COVER NUT
11. AUXILIARY POSITION
12. LOCK PIN
13. LOCK PIN RECEPTACLE (See Fig. B3)
14. BATTERY PACK
15. OIL LEVEL WINDOW
16. OIL FILLER
17. SPROCKET

## SYMBOLS

	Read the manual
	Wear eye protection
	Wear ear protection
	Wear dust mask
	Do not expose to rain.


## 18. CHAIN TENSIONING BOLT

## 19. OIL BOTTLE

**Not all the accessories illustrated or described are included in standard delivery.**

## TECHNICAL DATA

Type **WG329E WG329E.5 WG329E.9 (3- designation of machinery, representative of Jaw Saw)**

	WG329E	WG329E.5	WG329E.9
Voltage	20V  Max*		
No load speed	1350 /min		
Guide bar length	6" (150 mm)		
Oil tank capacity	30 ml		
Chain pitch	1/4" (6.4 mm)		
Chain gauge	0.05" (1.3 mm)		
Chain speed	2.54 m/s		
Number of chain links	42		
Charging time	5 hr approx.	1 hr approx.	/
Weight	3.6kg		3.2kg


\* Voltage measured without workload. Initial battery voltage reaches maximum of 20 volts. Nominal voltage is 18 volts.

## NOISE AND VIBRATION DATA

A weighted sound pressure  $L_{pA} = 72.2\text{dB(A)}$

A weighted sound power  $L_{wA} = 82.0\text{dB(A)}$

$K_{pA}$  &  $K_{wA}$  3.0dB(A)

Wear ear protection when sound pressure is over 80dB(A) 

## VIBRATION INFORMATION

Vibration total values (triax vector sum) determined according to EN 60745

Typical weighted vibration	$a_h = 0.52\text{m/s}^2$ $a_{h1} = 0.46\text{m/s}^2$
	Uncertainty $K=1.5\text{m/s}^2$

The declared vibration total value may be used for comparing one tool with another, and may also be used in a preliminary assessment of exposure.



**WARNING:** The vibration emission value during actual use of the power tool can differ from the declared value depending on the ways in which the tool is used dependant on the following examples and other variations on how the tool is used: How the tool is used and the materials being cut or drilled.

The tool being in good condition and well maintained Using the correct accessory for the tool and ensuring it is sharp and in good condition.

The tightness of the grip on the handles and if any anti vibration accessories are used. And the tool is being used as intended by its design and these instructions.

**This tool may cause hand-arm vibration syndrome if its use is not adequately managed.**



**WARNING:** To be accurate, an estimation of exposure level in the actual conditions of use should also take account of all parts of the operating cycle such as the times when the tool is switched off and when it is running idle but not actually doing the job. This may significantly reduce the exposure level over the total working period.

Helping to minimise your vibration exposure risk. ALWAYS use sharp chisels, drills and blades Maintain this tool in accordance with these instructions and keep well lubricated (where appropriate)

If the tool is to be used regularly then invest in anti vibration accessories.

Avoid using tools in temperatures of 10°C or less Plan your work schedule to spread any high vibration tool use across a number of days.

## ACCESSORIES

	WG329E	WG329E.5	WG329E.9
Wrench	1		
Oil Bottle	1		
Chain oil (100ml)	1		
Charger	1 (WA3760)	1 (WA3860)	/
Battery (WA3551.1)	1	1	/

We recommend that you purchase your accessories from the same store that sold you the tool. Use good quality chain oil. Use only replacement bar and chain of the same specification. Your retailer can advise the correct purchase.

## INTENDED USE

This JAWSAW® has been designed for pruning branches and cutting small logs up to 100mm in diameter, not for cutting metals (See Fig. A).

## ADJUSTMENT AND ASSEMBLY



**WARNING: Before touching the chain or making any other adjustments, make sure that the tool is switched off and the battery is removed.**

All Saw Chains wear and become loose from operation. Periodically check the Saw Chain (8), if there is any visible gap between the chain and the Guide Bar (7), it must be re-tensioned.



**WARNING: Remove the battery from the tool before adjusting saw chain tension. Cutting edges on chain are sharp. Use protective gloves when handling chain.**

This product comes fully assembled. However, we recommend that you check the chain tension before use and readjust if necessary.

### ADJUSTING THE CHAIN TENSION

1. Push the Rear Handle (1) until the Guide Bar (7) is in the middle of the jaw opening as shown. Lock the Guide Bar in the middle position by inserting the Lock Pin (12) into the Lock Pin Receptacle (13) located under the Rear Handle (1) (See Fig. B1-B3).
2. Open the chain access cover (9) by using the supplied wrench. To open turn the Access Cover Nut no more than a 1/4 turn in either direction (See Fig. C).
3. Release tension on the Saw Chain (8) by loosening the Chain Tensioning Bolt (10). Turn the Chain Tensioning Bolt counter-clockwise 2 or more times (See Fig. D).
4. Add tension on the Saw Chain by turning the Chain Tensioning Bolt clockwise. When tightening the Chain Tensioning Bolt the automatic chain tensioning system will set the tension to the Saw Chain at the same time.

- NOTE:** It is not possible to overtighten the Saw Chain, so tighten the chain as much as possible.
5. Check that the correct Saw Chain tension has been set. It should be possible to pull the Saw Chain away from the side of the Guide Bar approximately 3mm and it should snap back (See Fig. E).

If tension is incorrect, repeat step 3, ensuring the Guide Bar is free to move when the tension is released.

## CHANGING THE GUIDE BAR AND SAW CHAIN



### WARNING!

- **Laceration hazard.** Always wear protective gloves when installing or removing the saw chain. The saw chain is sharp and can cut you even when it is not running.
  - **Burn hazard.** The chain guide bar and chain may become hot during use. Allow to cool before adjustment or removal.
1. Ensure the operation is carried out on a firm surface.
  2. Remove the battery pack, install the Lock Pin (12) and open the Chain Access Cover (9) as described in the previous section.
  3. Use only WORX replacement Guide Bar and Saw Chain.
  4. Loosen and remove the Chain Tensioning Bolt (17).
  5. Lift the Guide Bar (7) and Saw Chain (8) out through the jaw, angling the Guide Bar to clear the two bar locating pins (d) (See Fig. I).
  6. If replacing the Guide Bar, remove the mounting plate (a), which is retained by a single screw and fit to the new Guide Bar. The Guide Bar is symmetrical and may be mounted with either face outward (can be reversed if the lower working edge is worn) (See Fig. F).
  7. Before re-fitting the Guide Bar, check that the small oil hole (b) and chain slot (c) are not blocked by dirt or sawdust, use a small toothpick to clean if necessary (See Fig. G1, G2).
  8. Refit the Saw Chain to the Guide Bar. Note the correct direction of the teeth (See Fig. H). The cutting direction is inward on the lower cutting edge.
  9. With the mounting plate (a) side of the Guide Bar facing the Motor (8) and holding the Saw Chain in place on the bar, feed bar and chain into the jaw, angling over the bar locating pins (d) and pulling the Saw Chain over the drive Sprocket (17) (See Fig. I). There will be little excess Saw Chain length, therefore, the Saw Chain must be properly fitted in the Guide Bar slot to provide enough extra chain to be pulled over the drive Sprocket.
  10. Check if all parts are seated properly (See Fig. J).
  11. Refit and tighten the Chain Tensioning Bolt. Note the cam (e) of the Chain Tensioning Bolt will engage the projecting tab (f) of the bar mounting plate and push the bar outward to tension the chain, check for correct tension (See **Adjusting the chain tension**).
  12. Close the Chain Access Cover and remove the Lock Pin.

## LUBRICATION



**IMPORTANT: The JAWSAW® is shipped with an empty oil tank. It is essential to**

**fill with chain oil before use. Bar and chain oil of any brand can be used. Never operate the JAWSAW® without chain oil or an empty tank as this will result in poor cutting performance, motor overload and possible burn-out.**

#### FILLING OIL TANK:

1. Fill Oil Bottle (19) with chain and bar oil (See Fig. K).
2. Rest the JAWSAW® with the Oil Filler facing upward.
3. Uncrew the oil filler cap (g) open.
4. Use bottle to fill oil reservoir (See Fig. L).
5. Screw the oil filler cap.



**IMPORTANT: It is important to use only the recommended standard bar and chain oil (Grade: ISO VG32) to avoid damage to the chain saw. This can be found at the location where you purchased this saw or your local hardware store. Never use recycled/old oil. Use of non approved oil will void the warranty.**

**Do not swallow. If swallowed, call a physician immediately. Keep out of reach of children. Store away from heat or open flame.**

#### CHECKING THE AUTOMATIC OILER

The JAWSAW® uses a much lower chain speed than a conventional chainsaw so it needs much less oil. However it is very important that it always has oil. Check the Oil Level Window (14) and refill as necessary.

During operation, periodically check the Saw Chain (8) and Guide Bar (7). A slight oil presence should be visible. If the chain and bar appear completely dry, then remove the bar and chain (see previous section) to ensure the bar oil hole is not blocked.

If the oil hole is clear, there is oil in the tank and still no oiling of the chain is visible – contact WORX customer service.



**WARNING:** Do not push the rear handle repeatedly when the saw is not cutting. The oil will be bumped out when pushing the handle whether the motor runs or not.

## OPERATION

#### 1. BEFORE USING YOUR CORDLESS TOOL

Your battery pack is UNCHARGED and you must charge once before use

The battery charger supplied is matched to the Li-Ion battery installed in the machine. Do not use another battery charger.

#### 2. CHARGING YOUR BATTERY PACK

The Li-Ion battery is protected against deep discharging. When the battery is empty, the machine is switched off by means of a protective circuit. In a warm environment or after heavy use, the battery pack may become too hot to permit charging. Allow time for the battery to cool down before recharging.

#### 3. TO REMOVE OR INSTALL BATTERY PACK

(See Fig. M)

Depress the battery release button to release battery pack from your tool. After recharging, insert the battery pack into the battery port. A simple push and slight pressure will be sufficient.

#### PREPARE YOUR JAWSAW® FOR USE



#### WARNING!

- **Read and understand all instructions. Failure to follow all instructions listed may result in electric shock, fire and/or serious personal injury.**
- **Sharp moving blade. To prevent accidental operation, ensure that the battery pack is removed before performing the following operations, failure to do this could result in serious personal injury.**



**CAUTION: Sharp moving blade. Always wear protective gloves when installing or removing the chain, the Saw Chain (8) is sharp and can cut you when it is not running.**



#### WARNING:

- Never operate a JAWSAW® that is damaged or improperly adjusted or that is not completely and securely assembled.
- Be sure that the saw chain stops moving when the power control system triggers are released.
- Never adjust the guide bar or saw when battery pack is connected.

#### SWITCHING ON AND OFF

The Trigger Switch (2) is locked to prevent accidental starting.

There are two Lock Out Buttons (3), to allow upright (cutting down from the top) or inverted (cutting up from the bottom) operation.

To switch on, press either Lock Out Button with your thumb and squeeze the Trigger Switch (See Fig. N). To switch off, just release the Trigger Switch.

#### CUTTING

Check oil level window (14) prior to starting and regularly during operation. Refill oil when oil level is low.

If operating with a newly replaced Saw Chain (8), check the chain tension around every 10 minutes during operation.

Always hold the Front Handle (4) firmly when cutting (See Fig. O1, O2).

1. Use both hands to grip saw firmly. Always use your left hand (I) to grip the front handle and your right hand (II) to grip the Rear Handle(1). Thumbs and fingers must wrap around saw handles (See Fig. O1, O2).
2.  **IMPORTANT:** Make sure your footing is firm and stable. Do not use the JAWSAW® while standing on piles of branches or while standing on a ladder.  
**HINT:** When cutting branches which are lying on the ground, place one foot on the branch to

prevent limb from moving (See Fig. P).

**WARNING!** Do not put your foot in the Jaw teeth, keep your foot a safe distance from the tool. (See Fig. P)

- Position the tool with the Jaw placed over the desired branch to be cut.

**WARNING:**

- DO NOT force the cut. Let the Saw Chain pull through the wood.
  - When starting the saw make sure the chain is not in contact with the limb or branch to be cut.
- Switch on the tool.
  - Push the Rear Handle towards the Front Handle to complete the cut.
  - Switch off the tool after the Guide Bar and Saw Chain have returned to their starting position.

**WARNING:**

- When completing the cut (step 6 above) do not push the handle forcefully, let the spinning chain pull itself through the wood.
- Using too much force on the rear handle when cutting can overload the tools motor.

**CAUTION:** At the end of each cut be prepared to support the tools weight.

#### TRIMMING BRANCHES:

Before cutting any branch, you must consider the following:

- Is the branch heavy, will it damage anything when it falls?
  - Large branches should be cut in small sections starting at the farthest end from the tree.
  - Always check where the branch will fall BEFORE commencing the cut.
  - Never stand under a branch being cut.
- Will the branch split before it is cut through? (See Fig. Q1, Q2)
  - To prevent splitting, turn the JAWSAW® upsidedown and make a small cut (less than 1/3 diameter of the limb) from the underside.
  - Then turn the JAWSAW® over to the normal position and cut from top down, slightly further out from the trunk than the initial undercut.
- Is the branch under tension, will it spring suddenly or trap the saw when it is cut?
  - Always stand outside the path of a springy branch. It can strike suddenly with surprising force and cause injury or loss of control of the saw.
  - Always cut from the tension side of a branch, usually the top of a branch on a standing tree, but can be any side of the branch of a fallen tree.
  - If the cut starts to close on the saw, you are cutting from the wrong side, keep the saw running and pull the saw to retract the blade from the cut.
  - If the saw becomes trapped do not try to pull it out with excessive force, lift the branch to open the cut while an assistant removes the saw.

#### KICKBACK SAFETY

This saws chain is covered by a guard however,

kickback can still occur. The following steps will reduce the risk of kickback

- Use both hands to grip saw while saw is running. Use firm grip. Thumbs and fingers must wrap around saw handles.
- Keep all safety items in place on saw. Make sure they work properly.
- Do not overreach.
- Keep solid footing and balance at all times.
- Stand slightly to left side of saw. This keeps your body from being in direct line with Saw Chain.
- Do not let guide bar nose touch anything when Saw Chain is moving.
- Do not bury Guide Bar nose or try to plunge cut (boring into wood using bar nose).
- Watch for shifting of wood or other forces that may pinch Saw Chain.
- Use extreme caution when reentering a previous cut.
- Never use a dull or loose Saw Chain. Keep Saw Chain sharp with proper tension.

#### PROPERLY USING THE JAWSAW®

Use the JAWSAW® only with secure footing. Hold the JAWSAW® at the right-hand side of your body (See Fig. R).

The Saw Chain must be running at full speed before it makes contact with the wood. Use the metal Jaw Teeth (6) to secure the saw onto the wood before starting to cut (See Fig. S).

Do not operate the JAWSAW® with arms fully extended or attempt to saw areas which are difficult to reach, or on a ladder (See Fig. T).

#### CUTTING WOOD UNDER TENSION

(See Fig. U)

**WARNING:** When cutting a limb that is under tension, use extreme caution. Be alert for wood springing back. When wood tension is released, the limb could spring back and strike operator causing severe injury or death.

When sawing logs supported on both ends, start the cut from above(Y) about 1/3 of the diameter into the log and then finish the cut (Z) from below, in order to avoid contact of the JAWSAW® with the ground. When sawing logs supported on only one end, start the cut from below (Y) about 1/3 of the diameter into the log and finish the cut from above (Z) in order to avoid log splitting or jamming of the tool.

#### LIMBING A TREE (See Fig. V)

Limbing is removing the branches from a fallen tree. When limbing leave larger lower limbs to support the log off the ground. Remove the small limbs in one cut as illustrated. Branches under tension against the ground should be cut from the bottom up to avoid binding the JAWSAW®.

#### BUCKING A LOG (See Fig. W)

Bucking is cutting a log into lengths. It is important to make sure your footing is firm and your weight is evenly distributed on both feet. Follow the simple directions for easy cutting.



### **WARNING: (See Fig. X)**

- **If on slope, make sure log will not roll down hill. Secure log by using wooden stakes. Drive wooden stakes into ground on downhill side of log. Stand on uphill side of log while cutting. Log may roll after cutting. (See Fig. X)**
- **Never try cutting through two logs at same time. This could increase the risk of kickback.**
- **While cutting log, never hold log with your hand or leg.**
- **While cutting log, never allow another person to hold log.**
- **Turn off and remove the battery pack from the saw before moving from one place to another.**

## **SAW MAINTENANCE AND KICKBACK SAFETY**

Follow maintenance instructions in this manual. Proper cleaning and maintenance of the Saw Chain (8) and Guide Bar (7), as well as the JAWSAW® in general, can reduce chances of kickback. Inspect and maintain saw after each use. This will increase the service life of your saw.

**NOTE:** Even with proper sharpening, risk of kickback can increase with each sharpening.

## **MAINTENANCE AND STORAGE OF JAWSAW®**

1. Remove the battery pack from the saw:
  - When not in use.
  - When transporting.
  - When left unattended.
  - Before servicing.
  - Before cleaning.
  - Before changing accessories or attachments, such as Saw Chain and Guard Bar.
2. Inspect the saw before and after each use for:
  - Any signs of damage.
  - Smooth action of push handle and movement of bar.
  - Adequate Chain Tension; you should be able to lift the Saw Chain from the Guide Bar no more than 3mm.
  - Adequate chain lubrication.
3. Do not use the JAWSAW®, if:
  - The Trigger Switch (2) or Lock Out Button (3) is malfunctioning.
  - The Rear (Push) Handle (1) does not smoothly return under spring force.
  - Any other damage which affects the safety or operation is evident.
4. Maintain the JAWSAW® with care and have any damage or malfunction repaired by an authorized service center:

- Never expose the JAWSAW® to rain.
- Keep Saw Chain sharp, clean, and lubricated for better and safer performance.
- Follow steps outlined in this manual to sharpen Saw Chain.
- Keep handles clean and free from oil.
- Keep all screws and nuts tight.
- 5. When servicing, use only identical replacement parts.
- 6. When not in use, always store JAWSAW®
  - In a high or locked place, out of children's reach.
  - In a dry place.

### **REPLACING SAW CHAIN/CHAIN BAR**

Replace the Saw Chain when cutters are too worn to sharpen or when chain breaks. Only use replacement chain noted in this manual. Always include new drive Sprocket (16) when replacing the Saw Chain. This will maintain proper driving of chain. Inspect Guide Bar (7) before sharpening chain. A worn or damaged guide bar is unsafe. A worn or damaged Guide Bar is unsafe, will damage the Saw Chain, and will make cutting harder.

For Replacing the Guide Bar please refer to **CHANGING THE GUIDE BAR AND CHAIN** section in the Adjustment and Assembly Instructions.

### **SHARPENING SAW CHAIN**



#### **WARNING:**

- **Remove the battery pack from the saw before servicing.**
- **Cutting edges on chain are sharp. Use protective gloves when handling chain.**

Keep Saw Chain sharp. Your saw will cut faster and more safely. A dull Saw Chain will cause undue Sprocket (16), Guide Bar (7), Saw Chain, and motor wear. If you must force the Saw Chain into wood and cutting creates only sawdust with few large chips, then the Saw Chain is dull.

### **LUBRICATING THE CHAINWHEEL**

**NOTE:** It is not necessary to remove the chain or bar when lubricating the chainwheel.

1. Clean the Guide Bar and chainwheel.
2. Using a grease gun, insert the tip of the gun into the lubrication hole (h) and inject grease until it appears at the outside edge of the chainwheel tip (See Fig. Y).
3. You may need to rotate the chainwheel (i) in order to grease all areas of the wheel. To do this, pull the Saw Chain by hand to rotate the chainwheel and align the parts of the wheel that needs to be greased with the lubrication hole (See Fig. Y).

### **CLEANING**

Regularly open the Chain Access Cover (9) and remove any debris that has become trapped. Regularly clean the ventilation slots with a clean, dry paint brush.

To clean the tool, use only mild soap and a damp

cloth. Never let any liquid get inside the tool and never immerse any part of the tool into liquid.

### TRANSPORTING

Always transport the tool with the Guide Bar (7) and Saw Chain (8) inside the protection guard.

## TROUBLESHOOTING

If your saw does not operate correctly check the following:

PROBLEMS	POSSIBLE CAUSES	POSSIBLE SOLUTION
• Tool will not start.	• Out of battery.	• Charge the battery pack.
• Bar / chain overheated.	• Chain too tight.  • Lubrication needed.	• Refer to <b>ADJUSTING THE CHAIN TENSION</b> section. • Refer to LUBRICATION section.
• Chain is loose.	• Chain tension set incorrectly.	• Refer to <b>ADJUSTING THE CHAIN TENSION</b> section.
• Poor cut quality.	• Chain tension set incorrectly.  • Chain needs replacement.	• Refer to <b>ADJUSTING THE CHAIN TENSION</b> section. Note: Excessive tension leads to excessive wear and reduction in life of bar & chain. • Refer to sections for <b>CHANGING THE GUIDE BAR AND CHAIN</b> .
• Unit runs but does not cut.	• Chain installed backwards. See Fig H and illustration.	• Refer to <b>CHANGING THE GUIDE BAR AND CHAIN</b> section.

## ENVIRONMENTAL PROTECTION



Waste electrical products must not be disposed of with household waste. Please recycle where facilities exist. Check with your local authorities or retailer for recycling advice.

## DECLARATION OF CONFORMITY

We,  
Positec Germany GmbH  
Grüner Weg 10, 50825 Cologne, Germany

Declare that the product,  
Description **Battery-powered Jaw Saw**  
Type **WG329E WG329E.5 WG329E.9 (3-designation of machinery, representative of Jaw Saw)**  
Function **Cutting wood**

Complies with the following Directives,  
**2006/42/EC**  
**2014/30/EU**  
**2011/65/EU**  
**2000/14/EC amended by 2005/88/EC**

The notified body involved  
**Name: Intertek Testing & Certification Limited (Notified body 0359)**  
**Address: Intertek House, Cleeve Road, Leatherhead, Surrey, KT22 7SB**  
**Certification No.: ITS11MC7455**

2000/14/EC amended by 2005/88/EC:  
- Conformity Assessment Procedure as per **Annex V**  
- Measured Sound Power Level **82dB(A)**  
- Declared Guaranteed Sound Power Level **82dB(A)**

Standards conform to:  
**EN 60745-1**  
**Parts of EN 60745-2-13**  
**EN ISO 3744**  
**EN 55014-1**  
**EN 55014-2**

The person authorized to compile the technical file,  
**Name Marcel Filz**  
**Address Positec Germany GmbH**  
**Grüner Weg 10, 50825 Cologne, Germany**




2018/01/10  
Allen Ding  
Deputy Chief Engineer, Testing & Certification  
Positec Technology (China) Co., Ltd  
18, Dongwang Road, Suzhou Industrial  
Park, Jiangsu 215123, P. R. China



# ОРИГИНАЛЬНЫЕ ИНСТРУКЦИИ

## ОБЩИЕ ПОЛОЖЕНИЯ БЕЗОПАСНОСТИ

 **ПРЕДУПРЕЖДЕНИЕ!** Прочтите все предупреждения о безопасности и все инструкции. Несоблюдение предупреждений и инструкций может привести к поражению электрическим током, пожару и / или серьезной травме.

**Сохраните все предупреждения и инструкции для дальнейшего использования.**

Термин «электроинструмент» в предупреждениях относится к вашему электроинструменту с питанием от сети (шнур) или к электроинструменту с батарейным питанием (беспроводной).

### 1. БЕЗОПАСНОСТЬ РАБОЧЕЙ ЗОНЫ

- a) **Держите рабочую зону чистой и хорошо освещенной.** Загрязненные или темные области предрасполагают к несчастным случаям.
- b) **Не используйте электроинструменты во взрывоопасных средах, например, в присутствии легковоспламеняющихся жидкостей, газов или пыли.** Электроинструменты создают искры, которые могут воспламенить пыль или пары.
- c) **Держите детей и прохожих в стороне во время работы с электроинструментом.** Отвлекающие факторы могут привести к потере контроля над инструментом.

### 2. ЭЛЕКТРОБЕЗОПАСНОСТЬ

- a) **Вилки с электроинструментом должны соответствовать розетке. Никогда не изменяйте штепсель каким-либо образом.** Немодифицированные вилки и соответствующие розетки уменьшают риск поражения электрическим током.
- b) **Избегайте контакта тела с заземленными поверхностями, такими как трубы, радиаторы и т.д.** Существует повышенный риск поражения электрическим током, если ваше тело заземлено.
- c) **Не подвергайте электроинструмент воздействию дождя или влажности.** Вода, попадающая в электроинструмент, повысит риск поражения электрическим током.
- d) **Не злоупотребляйте шнуром. Никогда не используйте шнур для переноски, вытягивания или отсоединения электроинструмента. Держите шнур вдали от тепла, масла, острых краев**

**или движущихся частей.** Поврежденные или запутанные шнуры повышают риск поражения электрическим током.

- e) **При работе с электроинструментом на открытом воздухе используйте удлинитель, предназначенный для использования на открытом воздухе.** Использование шнура, подходящего для использования на открытом воздухе, снижает риск поражения электрическим током.
- f) **Если работа электроинструмента во влажном месте неизбежна, используйте устройство защитного отключения.** Использование УЗО снижает риск поражения электрическим током.

### 3. ЛИЧНАЯ БЕЗОПАСНОСТЬ

- a) **Будьте внимательны, следите за тем, что вы делаете, и пользуйтесь здравым смыслом при работе с электроинструментом. Не используйте электроинструмент во время усталости или под воздействием наркотиков, алкоголя или медикаментов.** Невнимательность при работе электроинструмента может привести к серьезной травме.
- b) **Используйте средства индивидуальной защиты. Всегда надевайте защитные очки.** Защитное оборудование, такое как пылезащитная маска, нескользящая защитная обувь, каски или защита слуха, используемые для соответствующих условий, уменьшат риск возникновения травмы.
- c) **Предотвращение непреднамеренного запуска. Перед подключением к источнику питания и / или батарейному блоку убедитесь, что переключатель находится в положении «выключено».** Перенос электроинструментов с пальцем на выключателе или зарядка электроинструментов с включенным выключателем вызывает несчастные случаи.
- d) **Перед включением электроинструмента уберите любые посторонние гаечные ключи.** Ключ, прикрепленный к вращающейся части электроинструмента, может привести к травме.
- e) **Не наклоняйтесь. Держите равновесие в любое время.** Это позволяет лучше контролировать электроинструмент в неожиданных ситуациях.
- f) **Одевайтесь должным образом. Не надевайте свободную одежду или украшения. Держите волосы, одежду и перчатки вдали от движущихся частей.** Свободная одежда, ювелирные изделия или длинные волосы могут быть зацеплены движущимися частями.
- g) **Использование пылеулавливателей**

может уменьшить опасность, связанную с пылью.

#### 4. ИСПОЛЬЗОВАНИЕ И УХОД ЗА ЭЛЕКТРОИНСТРУМЕНТОМ

- a) **Используйте подходящий электроинструмент для вашей работы.** Правильный электроинструмент делает работу, для которой он был разработан лучше и безопаснее.
- b) **Не используйте электроинструмент, если выключатель не работает.** Любой электроинструмент, который не может управляться с помощью переключателя, опасен и должен быть отключен.
- c) **Перед выполнением любых регулировок, заменой принадлежностей или хранением электроинструмента отсоедините штекер от источника питания и / или аккумуляторной батареи от электроинструмента.** Такие предупредительные меры безопасности уменьшают риск случайного запуска электроинструмента.
- d) **Храните электроинструменты в недоступном для детей месте и не позволяйте лицам, незнакомым с электроинструментом, или данной инструкцией работать с ним.** Инструменты опасны в руках неподготовленных пользователей.
- e) **Обслуживайте электроинструменты. Проверьте несоосность движущихся частей, помолку деталей и любые другие состояния, которые могут повлиять на работу электроинструмента. В случае повреждения отремонтируйте электроинструмент перед использованием.** Многие несчастные случаи связаны с плохим обслуживанием электроинструментами.
- f) **Держите режущие инструменты острыми и чистыми.** Правильно обслуживаемые режущие инструменты легче контролировать.
- g) **Используйте электроинструмент, принадлежности и т. д. в соответствии с этими инструкциями, с учетом условий выполняемой работы.** Использование электроинструмента для операций, отличных от предназначенных, может привести к опасной ситуации.
- #### 5. ИСПОЛЬЗОВАНИЕ И УХОД ЗА АККУМУЛЯТОРАМИ
- a) **Заряжайте только зарядным устройством, одобренным изготовителем.** Зарядное устройство, подходящее для батарей одного типа, может привести к пожару при использовании с другим аккумулятором.

- b) **Используйте электроинструменты только с определенными батареями.** Использование любых других аккумуляторных батарей может привести к травме и возгоранию.
- c) **Когда аккумуляторная батарея не используется, держите ее вдали от других металлических предметов, таких как скрепки, монеты, ключи, гвозди, винты или другие мелкие металлические предметы, которые могут замкнуть между собой контакты.** Замыкание контактов аккумулятора может привести к ожогам или пожару.
- d) **В условиях жестокого обращения жидкость может быть вылита из батареи; избегайте контакта. Если контакт случайно произошел, промойте это место водой.** Если жидкость контактировала с глазами, дополнительно обратитесь за медицинской помощью. Жидкость, выбрасываемая из аккумулятора, может вызвать раздражение или ожоги.
- #### 6. ОБСЛУЖИВАНИЕ
- a) **Обслуживайте свой инструмент только с помощью квалифицированного специалиста по ремонту, используя только идентичные запасные части.** Это обеспечит поддержание безопасности электроинструмента.

## ПРЕДУПРЕЖДЕНИЯ О БЕЗОПАСНОСТИ ЦЕПНЫХ ПИЛ

- Держите все части тела вдали от цепной пилы при ее работе. Перед запуском цепной пилы убедитесь, что цепь пилы не контактирует ни с чем.** Невнимательность при работе с цепной пилой может вызвать зацеп вашей одежды или тела с пилой.
- Всегда держите цепную пилу правой рукой на задней ручке и левой рукой на передней рукоятке.** Удержание цепной пилы с другим положением рук увеличивает риск получения травмы.
- Наденьте защитные очки и обеспечьте защиту органов слуха. Рекомендуется использовать дополнительное защитное оборудование для головы, рук и ног.** Защитная одежда уменьшает риск возникновения травмы от отлетающего мусора или случайного контакта с пилой.
- Не используйте цепную пилу находясь на дереве.** Эксплуатация цепной пилы находясь на дереве может привести к травме.

5. **Всегда держите равновесие и управляйте цепной пилой только находясь на безопасной и ровной поверхности.** Скользкие или неустойчивые поверхности, такие как лестницы, могут привести к потере равновесия или контролю над цепной пилой.
  6. **При обрезании веток, которые находятся под натяжением, будьте осторожны, ветка может отпружинить назад.** Она может ударить оператора и / или выбить цепную пилу.
  7. **Будьте предельно осторожны при резке сучков и саженцев.** Мелкий материал может зацепиться о цепь пилы и выбить вас из равновесия.
  8. **Следуйте инструкциям по смазке, натяжению цепи и принадлежностям для замены.** Неправильно натянутая или смазанная цепь может либо сломать, либо увеличить вероятность отдачи.
  9. **Держите ручки сухими, чистыми от масла и жира.** Скользкие ручки приводят к потере контроля.
  10. **Пилите только дерево. Не используйте цепную пилу для других целей.** Например: не используйте цепную пилу для резки пластмассовых, кирпичных или недревесных строительных материалов. Использование цепной пилы для операций, отличных от предназначенных, может привести к опасной ситуации.
  11. **Держите электроинструмент только за изолированные поверхности, потому что цепная пила может соприкасаться со скрытой проводкой.** Цепные пилы, контактирующие с электрическим проводом, могут привести к поражению оператора электрическим током.
- c) **Не подвергайте аккумуляторную батарею воздействию тепла или огня.** Избегайте попадания прямых солнечных лучей.
  - d) **Не подвергайте аккумуляторную батарею механическому удару.**
  - e) **В случае протекания аккумуляторной жидкости не допускайте с ней контакта.** Если жидкость попала на открытые участки тела, промойте пораженный участок обильным количеством воды и обратитесь за медицинской помощью.
  - f) **Немедленно обратитесь за медицинской помощью, если ячейка или аккумуляторная батарея попала внутрь.**
  - g) **Держите аккумулятор в чистоте и сухом состоянии.**
  - h) **Протрите клеммы аккумуляторной батареи чистой сухой тканью, если они загрязнились.**
  - i) **Перед использованием батареи ее необходимо зарядить. Всегда обращайтесь к этой инструкции и используйте правильную процедуру зарядки.**
  - j) **Не храните аккумулятор в зарядном устройстве, когда он не используется.**
  - k) **После продолжительных периодов хранения может потребоваться несколько раз зарядить и разрядить аккумуляторную батарею, чтобы получить максимальную производительность.**
  - л) **Батарейный блок обеспечивает максимальную производительность при работе при нормальной комнатной температуре (20 °C ± 5 °C).**
  - m) **При утилизации аккумуляторных батарей держите батарейки разных электрохимических систем отдельно друг от друга.**
  - n) **Перезаряжайте только зарядным устройством, одобренным WORX. Не используйте зарядное устройство, отличное от того, которое специально предназначено для использования с оборудованием.** Зарядное устройство, подходящее для батарей одного типа, может привести к пожару при использовании с другим аккумулятором.
  - o) **Не используйте батарейный блок, который не предназначен для использования с оборудованием.**
  - p) **Храните аккумулятор в недоступном для детей месте.**
  - q) **Сохраните оригинальную литературу по продуктам для дальнейшего использования.**
  - r) **Извлеките аккумулятор из оборудования, если он не используется.**
  - s) **Утилизируйте надлежащим образом.**

## ПРЕДУПРЕЖДЕНИЯ БЕЗОПАСНОСТИ ДЛЯ АККУМУЛЯТОРНОЙ БАТАРЕИ

- a) **Не разбирайте, не открывайте ячейки или батарейный блок.**
  - b) **Не замыкайте аккумуляторную батарею. Не храните беспорядочно аккумуляторы в коробке или ящике, где они могут замыкаться друг с другом могут быть закорочены проводящими материалами. Когда аккумулятор не используется, держите его подальше от других металлических предметов, таких как скрепки, монеты, ключи, гвозди, винты или другие мелкие металлические предметы, которые могут замкнуть контакты. Замыкание контактов аккумулятора может привести к ожогам или пожару.**
- o) **Не используйте батарейный блок, который не предназначен для использования с оборудованием.**
  - p) **Храните аккумулятор в недоступном для детей месте.**
  - q) **Сохраните оригинальную литературу по продуктам для дальнейшего использования.**
  - r) **Извлеките аккумулятор из оборудования, если он не используется.**
  - s) **Утилизируйте надлежащим образом.**

# СИМВОЛЫ

	Прочтите руководство
	Наденьте защиту для глаз
	Наденьте защиту для слуха
	Наденьте пылезащитную маску
	Не подвергайте воздействию дождя.
	Не подвергайте воздействию дождя или воды
	Не сжигать
 Li-Ion	Не выбрасывайте батареи.
	Отходы электротехнических изделий нельзя утилизировать с бытовыми отходами. Пожалуйста, утилизируйте там, где есть соответствующие условия. Проконсультируйтесь с местными органами власти или представителями розничной торговли.

## СПИСОК ДЕТАЛЕЙ

**1. ЗАДНЯЯ РУКОЯТКА**

**2. КУРОК**

**3. КНОПКА БЛОКИРОВКИ**

**4. ПЕРЕДНЯЯ РУЧКА**

**5. ДВИГАТЕЛЬ**

**6. ЗУБЦЫ ЧЕЛЮСТИ**

**7. ПИЛЬНАЯ ШИНА**

**8. ЦЕПЬ ПИЛЫ**

**9. КРЫШКА ДОСТУПА К ЦЕПИ**

**10. ГАЙКА КРЫШКИ ДЛЯ ДОСТУПА К ЦЕПИ**

**11. ВСПОМОГАТЕЛЬНОЕ МЕСТО ДЛЯ ХВАТА**

**12. ШПЛИНТ**

**13. РАЗЪЕМ ДЛЯ ШПЛИНТА (См. Рис. В3)**

**14. АККУМУЛЯТОР**

**15. ИНДИКАТОР УРОВНЯ МАСЛА**

**16. МАСЛЯНАЯ ГОРЛОВИНА**

**17. ЗВЕЗДОЧКА**

**18. НАТЯЖНОЙ БОЛТ ЦЕПИ**

**19. БУТЫЛКА ДЛЯ МАСЛА**

Не все аксессуары, показанные или описанные, включены в стандартный комплект.


## ТЕХНИЧЕСКИЕ ДАННЫЕ

Тип **WG329E WG329E.5 WG329E.**

	WG329E	WG329E.5	WG329E.9
Напряжение	20V --- Max*		
Скорость холостого хода	1350 /min		
Длина пильной шины	6" (150 mm)		
Вместимость масляного бака	30 ml		
Шаг цепи	1/4" (6.4 mm)		
Колея цепи	0.05" (1.3 mm)		
Скорость цепи	2.54 m/s		
Количество звеньев цепи	42		
Время зарядки	Прибл. 5ч.	Прибл. 1ч.	/
Вес	3.6kg		3.2kg

\* Напряжение измерялось без нагрузки. Начальное напряжение батареи достигает 20 вольт. Номинальное напряжение составляет 18 вольт

## ИНФОРМАЦИЯ И ВИБРАЦИИ И ШУМЕ


Измеренное звуковое давление	$L_{pA} = 72.2 \text{ дБ (A)}$
Измеренная мощность звука	$L_{wA} = 82 \text{ дБ (A)}$
$K_{pA} \& K_{wA}$	3.0 дБ (A)
Измеренная мощность звука	80 дБ (A) 

## ХАРАКТЕРИСТИКИ ВИБРАЦИИ

Общие значения вибрации, определенные в соответствии с EN 60745:

Значение вибрации	$a_h = 0, 52 \text{ м/с}^2$ $a_{h1} = 0,46 \text{ м/с}^2$
	Погрешность $K = 1,5 \text{ м/с}^2$

Эти данные могут использоваться для сравнения одного инструмента с другим, также при предварительной оценке экспозиции.

 **ПРЕДУПРЕЖДЕНИЕ.** Значение вибрации при фактическом использовании электроинструмента может отличаться от заявленного значения в зависимости от того, как инструмент используется:


Как используется инструмент.

Состояния инструмента

Использования правильного аксессуара для инструмента и обеспечения его остроты и крепости хвата ручек и при использовании.

Используется ли инструмент в соответствии с его конструкцией и этими инструкциями.

**Этот инструмент может вызвать тремор рук.**

 **ПРЕДУПРЕЖДЕНИЕ.** Чтобы быть точным, оценка уровня воздействия в реальных условиях использования должна также учитывать все части рабочего цикла, такие как время, когда инструмент выключен и когда он работает на холостом ходу и не выполняет работу. Это может значительно снизить уровень воздействия за весь рабочий период и помогает минимизировать риск вибрации.

ВСЕГДА используйте острые лезвия

Обслуживайте этот инструмент в соответствии с

этим инструкциями и хорошо смазывайте (при необходимости)

При регулярном использовании инструмента - приобретите антивибрационные аксессуары. Избегайте использования инструментов при температуре 10°C или ниже.

## АКСЕССУАРЫ


	WG329E	WG329E.5	WG329E.9
Гаечный ключ		1	
Емкость для масла		1	
Цепное масло (100 ml)		1	
Зарядное устройство	1 (WA3760)	1 (WA3860)	/
Батарея (WA3551.1)	1	1	/

Мы рекомендуем вам приобрести аксессуары, перечисленные в приведенном выше списке, в том же магазине, где вам продали инструмент. Для получения дополнительной информации см. на упаковку. Сотрудники магазина могут помочь вам и дать совет


## НАЗНАЧЕНИЕ

Эта пила предназначена для обрезки ветвей и резки небольших бревен диаметром до 100 мм, но не для резки металлов (см. Рис. A).

## РЕГУЛИРОВКА И СБОРКА

 **ПРЕДУПРЕЖДЕНИЕ.** Прежде чем прикасаться к цепи или выполнять какие-либо другие регулировки, убедитесь, что инструмент выключен и батарея снята.

Все пильные цепи изнашиваются. Периодически проверяйте цепь пилы (8), если имеется видимый зазор между цепью и шиной (7), ее необходимо повторно натянуть.

 **ПРЕДУПРЕЖДЕНИЕ.** Перед регулировкой натяжения пилы извлеките аккумулятор из инструмента.

Режущие кромки на цепочке острые. При работе с цепью используйте защитные перчатки.

Этот продукт поставляется полностью собранным.

Тем не менее, мы рекомендуем вам проверить натяжение цепи перед использованием и при необходимости отрегулировать ее.

### РЕГУЛИРОВКА НАТЯЖЕНИЯ ЦЕПИ

1. Нажимайте на заднюю рукоятку (1), пока шина (7) не окажется посередине челюсти, как показано на рисунке. Зафиксируйте шину в этом положении, вставив штифт (12) в отверстие (13), расположенное под задней рукояткой (1) (см. Рис. В1 - В3).
2. Откройте крышку цепи (9) с помощью прилагаемого ключа. Чтобы открыть, поверните гайку крышки не более , чем 1/4 оборота в любом направлении. (См. Рис. С)
3. Ослабьте натяжение цепи пилы (8), ослабив натяжной болт цепи (10). Поверните натяжной болт цепи против часовой стрелки 2 или более раз. (См. Рис. D)
4. Натяните цепь, повернув болт цепи по часовой стрелке. При затягивании натяжного болта цепи, срабатывает автоматическая система натяжения. **ПРИМЕЧАНИЕ.** Невозможно перезатянуть цепь, поэтому затягивайте ее как можно сильнее.
5. Проверьте правильность натяжения цепи пилы. Должна быть возможность приподнять цепь со стороны шины примерно на 3 мм. Если натяжение плохое, повторите шаг 3, убедившись, что шина свободно перемещается.

### ЗАМЕНА ПИЛЬНОЙ ШИНЫ И ЦЕПИ



#### ПРЕДУПРЕЖДЕНИЕ!

- **Опасность рваных ран. Всегда надевайте защитные перчатки при установке или снятии цепи. Цепи пилы острая и может порезать вас даже тогда, когда она не работает.**
  - **Опасность ожога. Цепь может нагреваться во время использования. Дайте ей остыть перед регулировкой или снятием.**
1. Убедитесь, что операция выполняется на твердой поверхности.
  2. Извлеките батарейный блок, установите штифт (12) и откройте крышку цепи (9), как описано в предыдущем разделе.
  3. Используйте шины и цепи только фирмы WORK.
  4. Ослабьте и снимите натяжной болт цепи (17).
  5. Поднимите шины (7) и цепь (8) из челюсть, наклоняя шину (d) (см. Рис. I).
  6. При замене пильной шины снимите установочную пластину (a), которая удерживается одним винтом и установить на новую направляющую. Шина симметрична и может быть установлена лицевой стороной наружу ((см. Рис. F).
  7. Перед повторной установкой шины убедитесь, что небольшое отверстие для масла (b) и резьба для цепи (c) не засорены грязью или опилками, при необходимости очистите (см. Рис. G1, G2).
  8. Установите цепь на шину. Обратите внимание на правильное направление зубов (см. Рис. H).

9. Цепь должна быть правильно установлена в гнезде шины.
10. Проверьте, правильно ли установлены все детали (см. Рис. J).
11. Установите и затяните натяжной болт цепи. Обратите внимание, что кулачок (e) натяжного болта цепи входит в зацепление с выступающей вкладкой (f) крепежной пластины и выталкивает шину для натяжки цепи, проверьте правильность натяжения (см. Регулировка натяжения цепи).
12. Закройте крышку цепи и снимите штифт.

## СМАЗКА



**ВАЖНО: Пила поставляется с пустым масляным баком. Перед ее использованием необходимо заправить маслом для цепи. Можно использовать масло для цепей и шин любого бренда.**

**Никогда не эксплуатируйте пилу без масла, так как это приведет к снижению производительности резания, перегрузке двигателя и поломке.**

### ЗАПРАВКА МАСЛЯНОГО БАКА:

1. Заполните емкость для масла (19) (См. Рис. K)
2. Установите пилу масляной горловиной вверх
3. Снимите крышку масляной горловины (g).
4. Используйте емкость для заправки масляного бака. (См. Рис. L)
5. Закрутите крышку горловины.



**ВАЖНО: для предотвращения повреждения цепной пилы важно использовать только рекомендованное масло для шины и цепи (класс: ISO VG32). Его можно приобрести там, где вы приобрели эту пилу или в любом другом местном магазин. Никогда не используйте переработанное / старое масло. Использование неодобренного масла аннулирует гарантию. Не проглатывать масло. При проглатывании немедленно вызовите врача. Храните в недоступном для детей месте. Храните вдали от тепла или открытого пламени.**

### ПРОВЕРКА АВТОМАТИЧЕСКОЙ ПОДАЧИ МАСЛА

Jawsaw® использует гораздо более низкую скорость цепи, чем обычная бензопила, поэтому ей нужно гораздо меньше масла.

Однако очень важно, чтобы оно всегда присутствовало.

Проверьте датчик уровня масла (14) и при необходимости заправьте.

Во время работы периодически проверяйте цепь пилы (8) и шины (7). Должно быть видно небольшое присутствие масла. Если цепь и шина сухие, снимите их (см. Предыдущий раздел), чтобы убедиться, что

отверстие для масла в шине не заблокировано. Если отверстие для масла очищено, в баке есть масло, а оно все равно не поступает - обратитесь в службу поддержки Worx.



**ПРЕДУПРЕЖДЕНИЕ.** Не нажимайте часто на заднюю ручку, когда пила не режет. Масло будет выходить при нажатии на рукоятку, независимо от того, работает двигатель или нет.

## ЭКСПЛУАТАЦИЯ

### 1. ПЕРЕД ИСПОЛЬЗОВАНИЕМ БЕСПРОВОДНОГО ИНСТРУМЕНТА

Ваш аккумуляторный блок разряжен, вы должны зарядить его перед использованием.

Зарядное устройство поставляется в комплекте с литий-ионным аккумулятором, установленным в инструменте. Не используйте другое зарядное устройство.

### 2. ЗАРЯДКА БАТАРЕИ

Литий-ионный аккумулятор защищен от глубокой разрядки. Когда батарея разряжена, пила выключается с помощью защитной цепи. В теплой среде или после интенсивного использования аккумуляторная батарея может стать слишком горячей, чтобы заряжаться. Подождите, пока батарея не остынет.

### 3. СНЯТИЕ ИЛИ УСТАНОВКА БАТАРЕИ

Нажмите кнопку снятия батареи, чтобы отсоединить аккумулятор от вашего инструмента. После подзарядки вставьте батарейный блок в порт аккумулятора. Достаточно простого нажатия и небольшого давления.

### ПОДГОТОВЬТЕ JAWSAW® ДЛЯ ИСПОЛЬЗОВАНИЯ



#### ПРЕДУПРЕЖДЕНИЕ!

- **Прочтите все инструкции. Несоблюдение всех перечисленных указаний может привести к поражению электрическим током, пожару и / или серьезной травме.**
- **Острое лезвие. Во избежание случайного срабатывания убедитесь, что перед выполнением работ аккумуляторная батарея снята. Несоблюдение этого требования может привести к серьезной травме.**



**ОСТОРОЖНО: Острое лезвие. Всегда надевайте защитные перчатки при установке или снятия цепи, цепь (8) острая и может порезать вас, даже когда она не работает.**



#### ПРЕДУПРЕЖДЕНИЕ:

- Никогда не используйте поврежденные, неверно отрегулированные пилы или пилы без элементов безопасности.
- Убедитесь, что цепь пилы перестает перемещаться при срабатывании системы управления мощностью.
- Никогда не настраивайте шину с установленной батареей

### ВКЛЮЧЕНИЕ И ВЫКЛЮЧЕНИЕ

Курок (2) заблокирован для предотвращения случайного запуска.

Есть две кнопки блокировки (3), для вертикальной или перевернутой резки.

Для включения нажмите кнопку блокировки большим пальцем и зажмите крючок (см. Рис. N).

Чтобы выключить, просто отпустите крючок.

### Резка

Проверяйте уровень масла (14) перед запуском и регулярно во время работы. Заправляйте масло, когда уровень масла низкий.

Если вы работаете с новой цепью (8), проверяйте натяжение цепи каждые 10 минут во время работы. Всегда держите переднюю рукоятку (4) крепко (см. Рис. O1, O2)

1. Крепко держите ручку пилы обоими руками. Используйте левую руку (I), для передней рукоятки и правую руку (II), для задней (1). (см. Рис. O1, O2).



**ВАЖНО:** Удостоверьтесь, что вы стоите на ровной поверхности. Не используйте пилу, стоя на грудах ветвей или стоя на лестнице.

Подсказка: при разрезании ветвей, лежащих на земле, поместите одну ногу на ветку, чтобы предотвратить ее движение (см. Рис. P).



**ПРЕДУПРЕЖДЕНИЕ!** Не ставьте ногу в челюсть пилы, держите ногу на безопасном расстоянии от инструмента. (См. Рис. P)

3. Установите инструмент с челюстью, расположенной над нужной веткой, которую нужно отрезать.



**ПРЕДУПРЕЖДЕНИЕ:** НЕ давите на пилу.



**ПРЕДУПРЕЖДЕНИЕ:** При запуске пилы убедитесь, что цепь не контактирует с ветвью или веткой, которую нужно отрезать.

4. Включите инструмент.
5. Нажмите на заднюю рукоятку в направлении передней рукоятки, чтобы завершить разрез.
6. Выключите инструмент после того, как шина и цепь вернутся в исходное положение.



#### ПРЕДУПРЕЖДЕНИЕ:

- При завершении резки (шаг 6 выше) не нажимайте сильно на ручку

- Слишком большое усилие на заднюю рукоятку при резке может привести к перегрузке двигателя инструмента.



**ОСТОРОЖНО:** в конце каждой резки будьте готовы к удержанию инструмента в руках.

### ОБРЕЗКА ВЕТВЕЙ:

Прежде чем разрезать любую ветку, вы должны учитывать следующее:

1. Является ли ветка тяжелой, повредит ли она что-нибудь, когда она упадет?
  - Большие ветви должны быть разрезаны на небольшие части, начиная с самого дальнего конца дерева.
  - До начала работ всегда проверяйте, куда упадет ветвь.
  - Никогда не стойте под режущей веткой.
2. Сломается ли ветка до ее полной резки? (См. Рис. Q1, Q2)
  - Чтобы предотвратить это, поверните пилу сверху вниз и сделайте небольшой подрез (менее 1/3 диаметра конечности) с нижней стороны.
  - Затем поверните пилу в нормальное положение и режьте сверху вниз, чуть дальше от ствола, чем первоначальный подрез.
3. Является ли ветка под давлением?
  - Всегда стойте вне траектории упругой ветви. Она может внезапно спружинить и ударить, вызывая травму или потерю контроля над пилой.
  - Всегда режьте со стороны натяжения ветви, обычно верхняя часть ветки на стоячем дереве или любая сторона ветви упавшего дерева.
  - Если пила застряла, не пытайтесь вытащить ее с силой, поднимите ветку, чтобы ваш помощник вытащил пилу.

### ОТДАЧА

Хотя эта цепь имеет защиту, отдача все еще может произойти. Следующие шаги уменьшат риск отдачи: Устройства защиты от отдачи

Эта пила имеет цепь и пильную шину с низкой отдачей. Они уменьшают вероятность отдачи.

Следующие шаги уменьшат риск отдачи.

- Удерживайте пилу двумя руками. Используйте крепкий хват. Большие пальцы обернутся вокруг ручек.
- Держите все защитные предметы на пиле. Убедитесь, что они работают правильно.
- Не превышайте или не работайте с пилой на высоте плеч.
- Стойте ровно, удерживая равновесие
- Стойте немного левее от пилы. Это не позволит вашему телу быть в один ряд с цепью.
- Не допускайте касания кончика шины во время движения цепи.
- Никогда не пытайтесь резать два бревна одновременно.
- Не делайте вырез с помощью кончика шины (не сверлить в древесину с помощью кончика шины).
- Следите за перемещением древесины, которая может зажать цепь.
- Будьте предельно осторожны при повторном

входе в предыдущий разрез.

- Используйте только цепь с низкой отдачей и шину (6), которые поставляются с этой цепной пилой. Или рекомендуемые.
- Никогда не используйте тупую или ослабленную цепь. Держите цепь острой и правильно натянутой.

### ПРАВИЛЬНОЕ ИСПОЛЬЗОВАНИЕ JAWSAW®

Используйте цепную пилу только в устойчивом положении и удерживая равновесие. Держите пилу справа от вашего тела. (См. Рис. R)

Цепь пилы должна работать на полной скорости, прежде чем вступать в контакт с деревом.

Используйте металлическую цепь (6), чтобы закрепить пилу на дереве, прежде чем начинать резать. (См. Рис. S)

Не используйте пилу с полностью вытянутыми руками или не пытайтесь резать участки, которые труднодоступны, или на лестнице. (См. Рис. T)

### Резка древесины под натяжением (см. Рис. U)



**ПРЕДУПРЕЖДЕНИЕ:** При разрезании ветки, которая находится под напряжением, будьте осторожны.

**Когда отпускается натяжение, ветка может отскочить назад и ударить оператора, нанеся серьезную травму или повлечь смерть.**

При распилке бревен с обоих концов сделайте вырез сверху (Y) примерно на 1/3 диаметра бревна, затем закончите разрез (Z) снизу, чтобы избежать контакта цепной пилы с землей. При распилке бревен, поддерживаемых только на одном конце, сделайте вырез снизу (Y) примерно на 1/3 диаметра бревна и завершите разрез сверху (Z), чтобы избежать порчи или заклинивания цепной пилы.

### ОБРУБКА СУЧЬЕВ (см. Рис. V)

Во время обрубki оставьте более крупные нижние ветки, чтобы поддерживать бревно над землей.

Обрежьте маленькие ветки одним проходом, как показано на рисунке. Ветви под напряжением на земле должны быть разрезаны снизу вверх, чтобы избежать застревания пилы.

### Нарезка бревен (см. Рис. W)

Важно убедиться, вы уверенно держите равновесие. Следуйте простым инструкциям для легкой резки.



**ПРЕДУПРЕЖДЕНИЕ:** (см. Рис. X)

- Если вы находитесь на склоне, убедитесь, чтобы бревно не скатывалось вниз по склону. Стойте наверху склона во время резки бревна. Бревно может катиться после резки. (См. Рис. X)
- Никогда не пытайтесь нарезать два бревна одновременно. Это может увеличить риск отдачи.
- Во время резки бревна никогда не держите его рукой или ногой.



- **Во время резки бревна никогда не позволяйте другому человеку держать его.**
- **Выключите и выньте аккумулятор из пилы перед переходом от одного места к другому.**

## ОБСЛУЖИВАНИЕ ПИЛЫ И ПРЕДОСТЕРЕЖЕНИЯ ПРИ ОТДАЧЕ

Следуйте инструкциям по техобслуживанию в этом руководстве. Правильная очистка и обслуживание цепи (8) и шины (7), как и пилы в целом, могут снизить вероятность отдачи. Проверяйте и обслуживайте пилу после каждого использования. Это увеличит срок службы вашей пилы.

**ПРИМЕЧАНИЕ.** Даже при правильной заточке риск отдачи может увеличиться с каждой заточкой.

## ТЕХНИЧЕСКОЕ ОБСЛУЖИВАНИЕ И ХРАНЕНИЕ ПИЛЫ

1. Извлеките аккумулятор из пилы:
  - Когда она не используется.
  - При транспортировке.
  - При оставлении без присмотра.
  - Перед обслуживанием.
  - Перед очисткой.
  - Перед заменой аксессуаров, таких как цепь и защита.
2. Осмотрите пилу до и после каждого использования на:
  - Любые признаки повреждения.
  - Плавное действие толкающей рукоятки и движение шины.
  - Натяжение цепи; вы должны иметь возможность поднимать цепь над шиной не более, чем на 3 мм.
  - Смазку цепи.
3. Не используйте пилу, если:
  - С перебоем работают крючок переключателя (2) или кнопка блокировки (3).
  - Задняя рукоятка (1) плавно не возвращается в исходное положение.
4. Обслуживайте пилу с осторожностью и отремонтируйте какие-либо повреждения или неисправности в авторизованном сервисном центре:
  - Никогда не подвергайте пилу воздействию дождя.
  - Держите цепь острой, чистой и смазанной для лучшей и надежной работы.
  - Следуйте пунктам, описанным в данном руководстве, чтобы заточить цепь.
  - Держите ручки чистыми.

- Держите все винты и гайки затянутыми.
- 5. При обслуживании используйте только идентичные запасные части.
- 6. Когда вы не используете пилу, храните ее:
  - В высоком или закрытом месте, вне детской досягаемости.
  - В сухом месте.

### ЗАМЕНА ЦЕПИ / ШИНЫ

Замените цепь, когда ножи слишком изношены для заточки или при разрыве цепи. Используйте для замены только рекомендуемую цепь, указанную в этом руководстве. При замене цепи всегда ставьте новую звездочку привода (16). Осмотрите шину (7) перед тем, как установить цепь. Изношенная или поврежденная цепь - небезопасна.

Для замены шины см. раздел «ЗАМЕНА ШИНЫ И ЦЕПИ» в Инструкции по настройке и монтажу.

### ЗАТОЧКА ЦЕПИ ПИЛЫ



**ПРЕДУПРЕЖДЕНИЕ.** Перед обслуживанием извлеките аккумулятор. Контакт тела с

движущейся цепью или воздействие удара электрического тока могут повлечь за собой тяжелую травму или смерть. Режущие кромки на цепи острые. При работе с цепью используйте защитные перчатки. Поддерживайте цепь заточенной. Ваша пила будет резать быстрее и безопаснее. Если вам нужно вдавливать цепь в древесину, а резка создает только опилки - цепь затуплена

### СМАЗКА ЦЕПНОЙ ПИЛЫ

#### Примечание:

При смазывании звездочки шины нет необходимости снимать цепь.

1. Очистите шины и звездочку
2. Используя смазочный пистолет, вставьте наконечник пистолета в отверстие для смазки и добавляйте смазку, пока она не появится на внешнем крае звездочки.
3. Чтобы повернуть звездочку, потяните цепь рукой, пока несмазанная сторона звездочки не будет установлена возле смазочного отверстия. Повторите процедуру смазки.

### ОЧИСТКА

Постоянно открывайте крышку цепи (9) и удалите все обломки, которые застряли.

Регулярно очищайте вентиляционные отверстия чистой и сухой кистью.

Для чистки инструмента используйте только мягкое мыло и влажную ткань. Никогда не допускайте попадания жидкости внутрь инструмента и никогда не погружайте какую-либо часть инструмента в жидкость.

### ТРАНСПОРТИРОВКА


Всегда перевозите инструмент с шиной (7) и цепью (8) внутри защитного кожуха.

## ИСПРАВЛЕНИЕ ПРОБЛЕМ

Если ваша пила неверно функционирует проверьте следующее:

Проблема	Возможная причина	Возможное решение
• Инструмент не запускается.	• Разряжена батарея.	• Зарядите батарею.
• Шина / цепь перегрета.	• Цепь слишком натянута • Нужна смазка.	• См. Раздел <b>РЕГУЛИРОВКА НАТЯЖЕНИЯ ЦЕПИ.</b> • См. Раздел СМАЗКА.
• Цепь ослаблена	• Неверное натяжение цепи.	• См. Раздел <b>РЕГУЛИРОВКА НАТЯЖЕНИЯ ЦЕПИ.</b>
• Плохое качество резки.	• Неверное натяжение цепи. • Нужна замена цепи.	• См. Раздел <b>РЕГУЛИРОВКА НАТЯЖЕНИЯ ЦЕПИ.</b> Примечание. Чрезмерное натяжение приводит к чрезмерному износу и сокращению срока службы шины и цепи. • Обратитесь к разделу <b>«ЗАМЕНА ШИНЫ И ЦЕПИ.</b>
• Инструмент работает, но не режет	• Цепь установлена задом наперед. См. Рис. Н.	• Обратитесь к разделу <b>«ЗАМЕНА ШИНЫ И ЦЕПИ.</b>

## ЗАЩИТА ОКРУЖАЮЩЕЙ СРЕДЫ

 Отходы электротехнических изделий нельзя утилизировать с бытовыми отходами. Пожалуйста, утилизируйте там, где есть соответствующие условия. Проконсультируйтесь с местными органами власти или представителями розничной торговли

## ДЕКЛАРАЦИЯ СООТВЕТСТВИЯ

Мы,  
Positec Germany GmbH  
Grüner Weg 10, 50825 Cologne, Germany

Заявляем, что продукт  
Описание **Беспроводная цепная пила**  
Тип **WG329E WG329E.5 WG329E.9**  
Функция **Обрезки дерева**

Соответствует следующим Директивам,  
**2006/42/EC**  
**2014/30/EU**  
**2011/65/EU**  
**2000/14/EC с поправками к 2005/88/EC**

2000/14 / EC с поправками к 2005/88 / EC  
- Процедура оценки соответствия согласно Приложению V  
- Измеренный уровень мощности звука **82 дБ (А)**  
- Объявленный уровень мощности звука **82 дБ (А)**

Соответствует стандартам,  
**EN 60745-1**  
**часть EN 60745-2-13**  
**EN ISO 3744**  
**EN 55014-1**  
**EN 55014-2**

Лицо с правом компилирования данного технического файла,  
**имя Marcel Filz**  
**Адрес Positec Germany GmbH**  
**Grüner Weg 10, 50825 Cologne, Germany**




2018/01/10  
Allen Ding  
Заместитель главного инженера, Тестирование и сертификация  
Positec Technology (China) Co., Ltd  
18, Dongwang Road, Suzhou Industrial Park, Jiangsu 215123, P. R. China



**СТРАНА****ТЕЛЕФОН ТЕХПОДДЕРЖКИ****АВТОРИЗОВАННЫЙ СЕРВИСНЫЙ ЦЕНТР**

Россия

+ 7(495) 221-4625 доб.106, 107,108

Ленинградское ш., вл.29г,г.Химки, Московская обл., 141408, Россия

**EAC**

<b>Производитель:</b>	<b>Место производства</b>
Позитек Германия ГМБХ, Грюнер Вег 10, 50825 Кёльн, Германия	
Позитек Технолоджи КНР Ко.Лтд Номер 18 Донванг Роуд, Сучжоу Индастриал Парк, Сучжоу, Джиангсу, КНР	√

Импортер: ООО «Дистрибьюторский Центр Юнисоо», Ленинградское ш., вл. 29Г, г.Химки, Московская обл., 141408, Россия

Срок соужбы 6 лет.

**WORX**  
it's your nature

[www.worx.com](http://www.worx.com)

Copyright © 2018, Positec. All Rights Reserved.  
AR01343802