

# 143RII

**Spare parts**

**Ersatzteile**

**Pièces détachées**

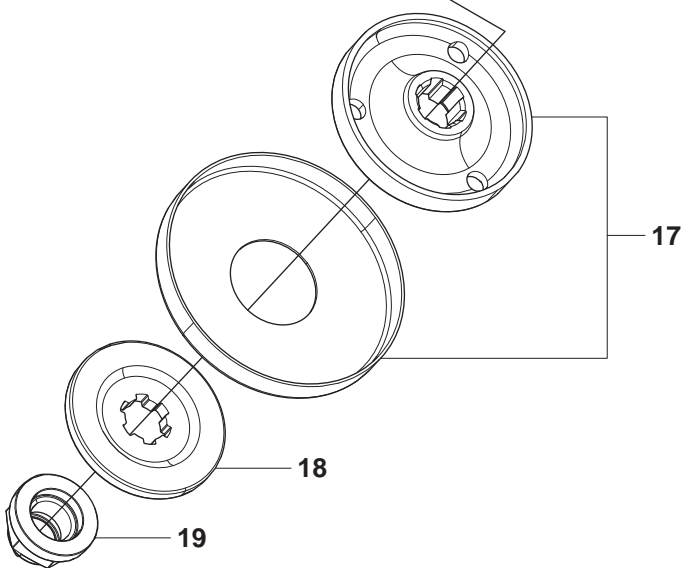
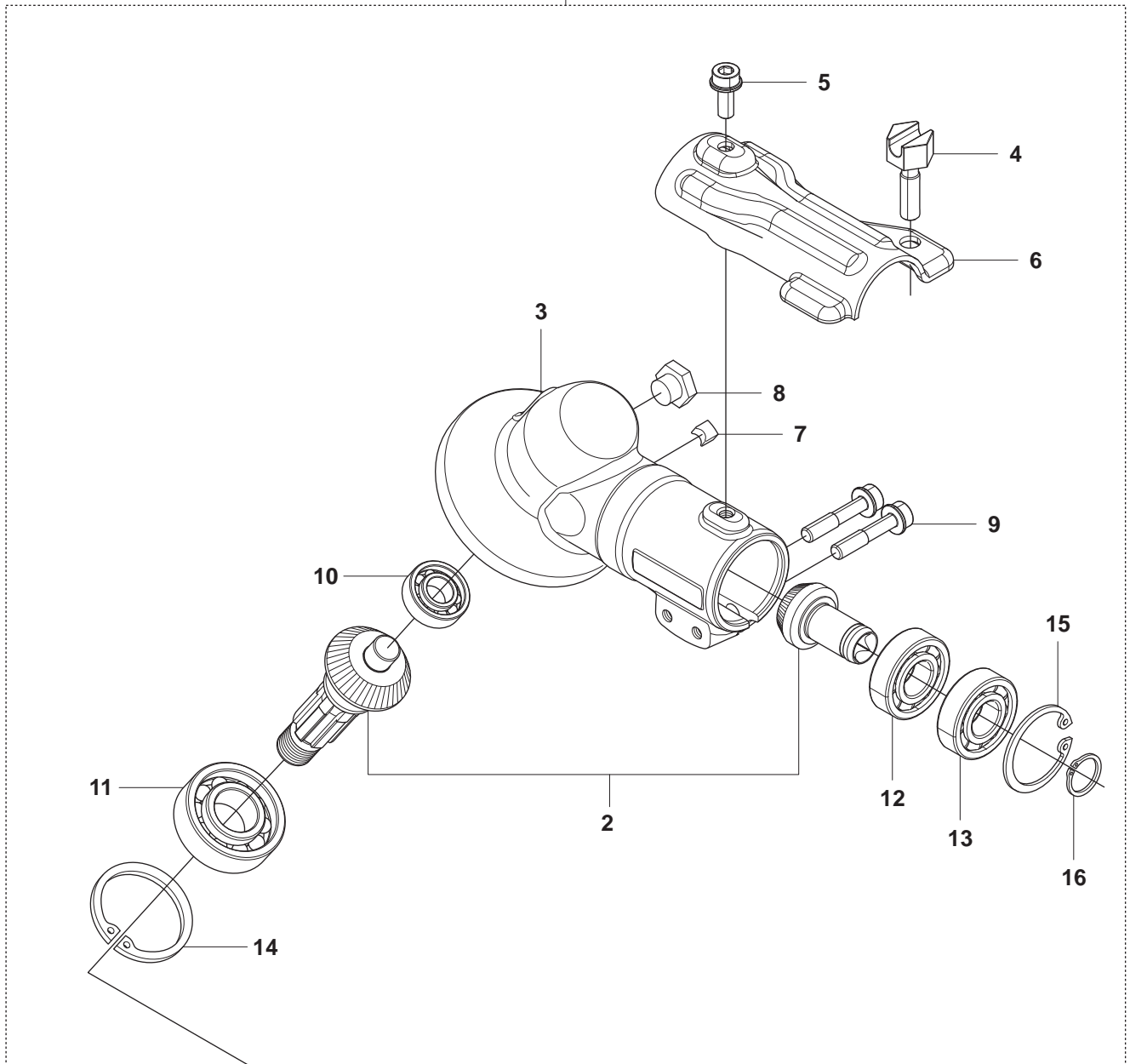
**Reserve onderdelen**

**Repuestos**

**Reservdelar**

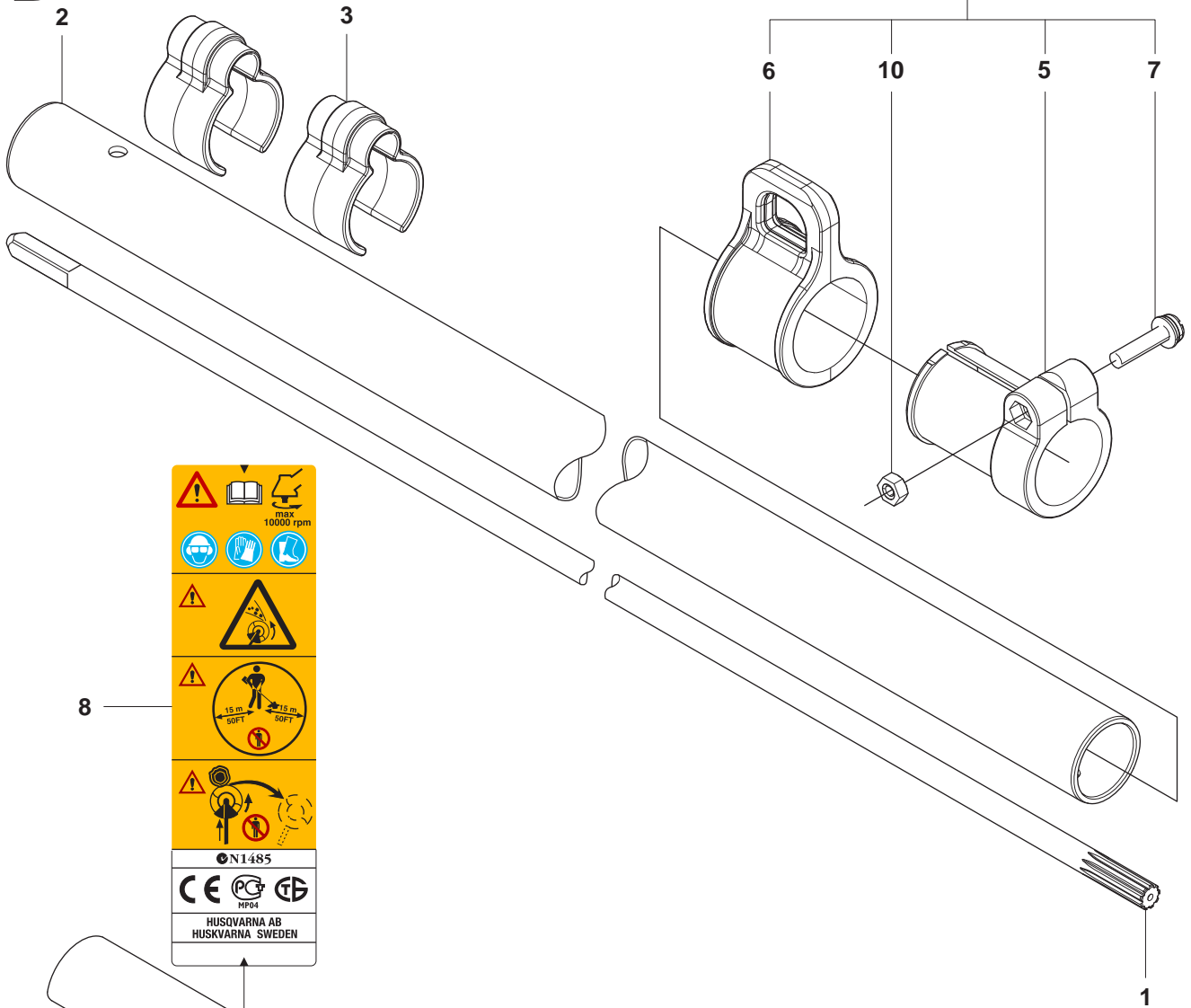
# A Gear

1



Pos. Nr.	Part nr.	Name	Page	Qty (on this page)	Incl. in kit
<b>Gear</b>					
1	537 29 58-02	Gear compl.	A	1	
2	505 13 34-01	Gear wheel kit.	A	1	1
3	537 29 59-01	Gear housing	A	1	1
4	537 18 95-01	Screw	A	1	1
5	503 20 02-10	Screw M5x10	A	1	1
6	544 08 76-01	Bracket	A	1	1
7	537 14 74-01	Magnet	A	1	1
8	503 20 15-01	Plug	A	1	1
9	503 20 03-25	Screw M5x25	A	2	1
10	738 21 99-00	Ballbearing	A	1	1
11	503 25 28-01	Ballbearing	A	1	1
12	738 20 01-10	Ballbearing	A	1	1
13	738 21 01-12	Ballbearing	A	1	1
14	735 31 31-10	Locking ring	A	1	1
15	735 31 28-10	Locking ring	A	1	1
16	735 31 14-00	Locking ring	A	1	1
17	537 35 14-01	Driver	A	1	
18	537 34 35-01	Support flange	A	1	
19	502 29 11-01	Locking nut	A	1	

# B Tube & shaft



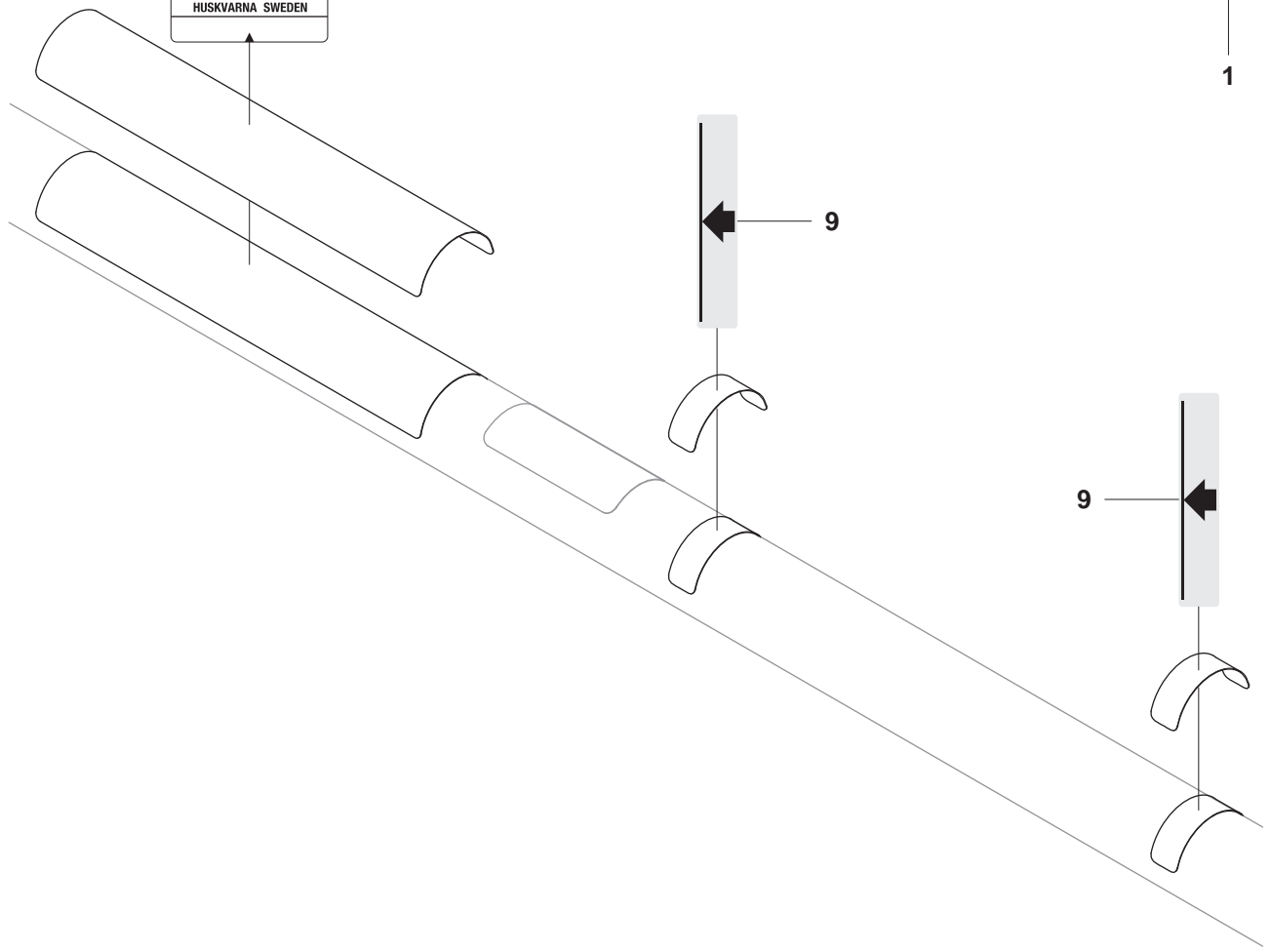
max 10000 rpm

15 m SOFT 15 m SOFT

EN1485

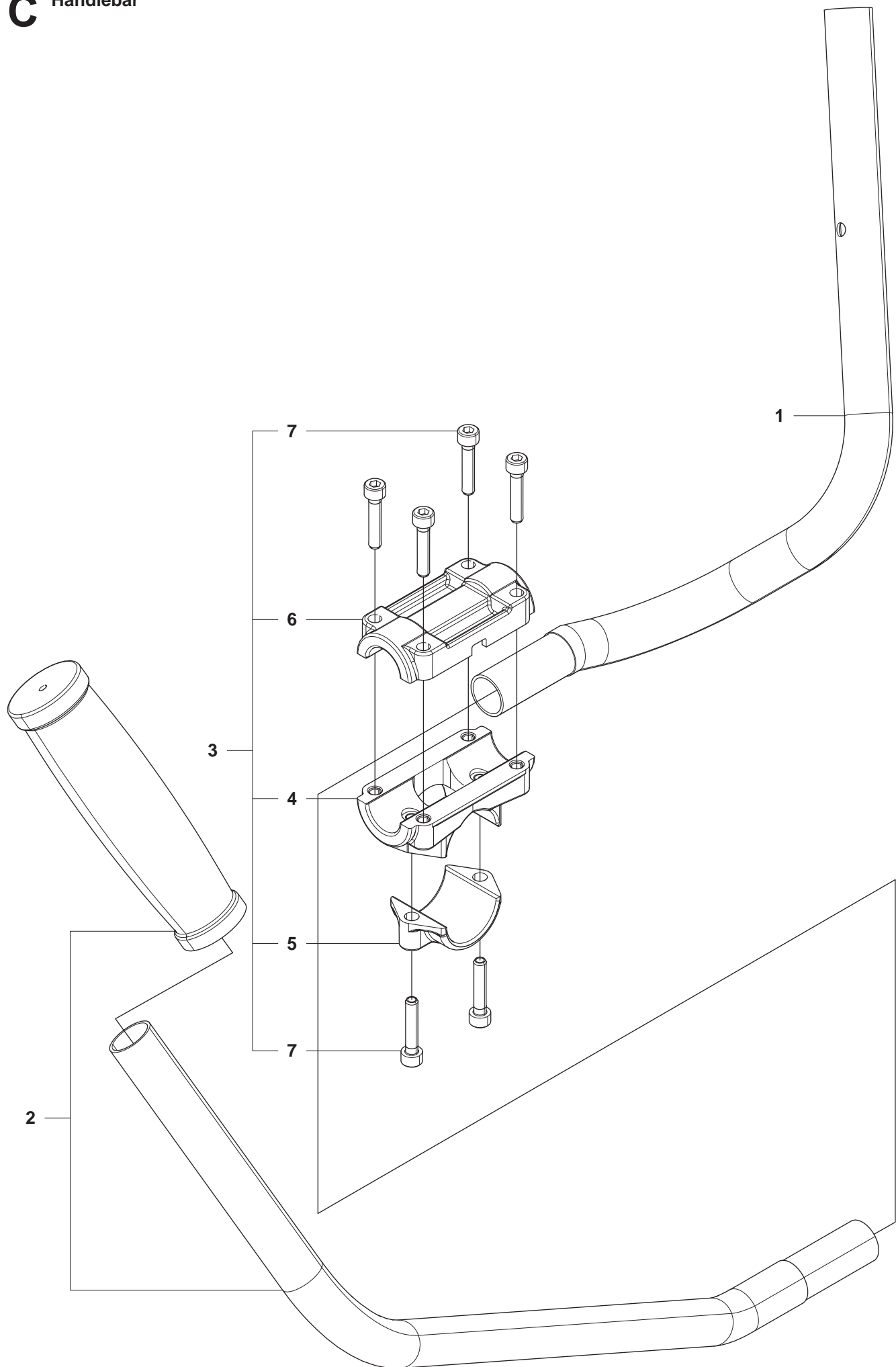
CE PG NP04 GB

HUSQVARNA AB  
HUSKVARNA SWEDEN



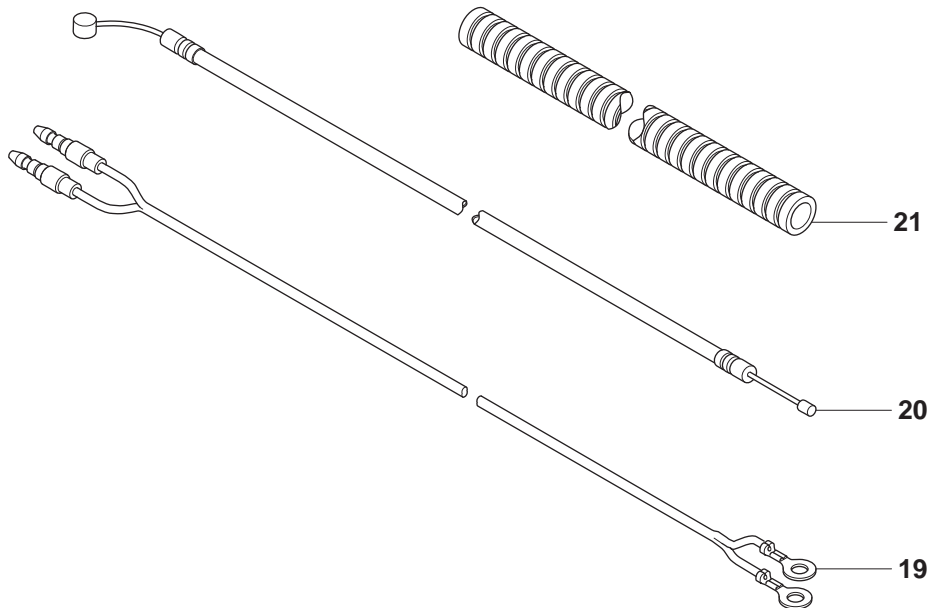
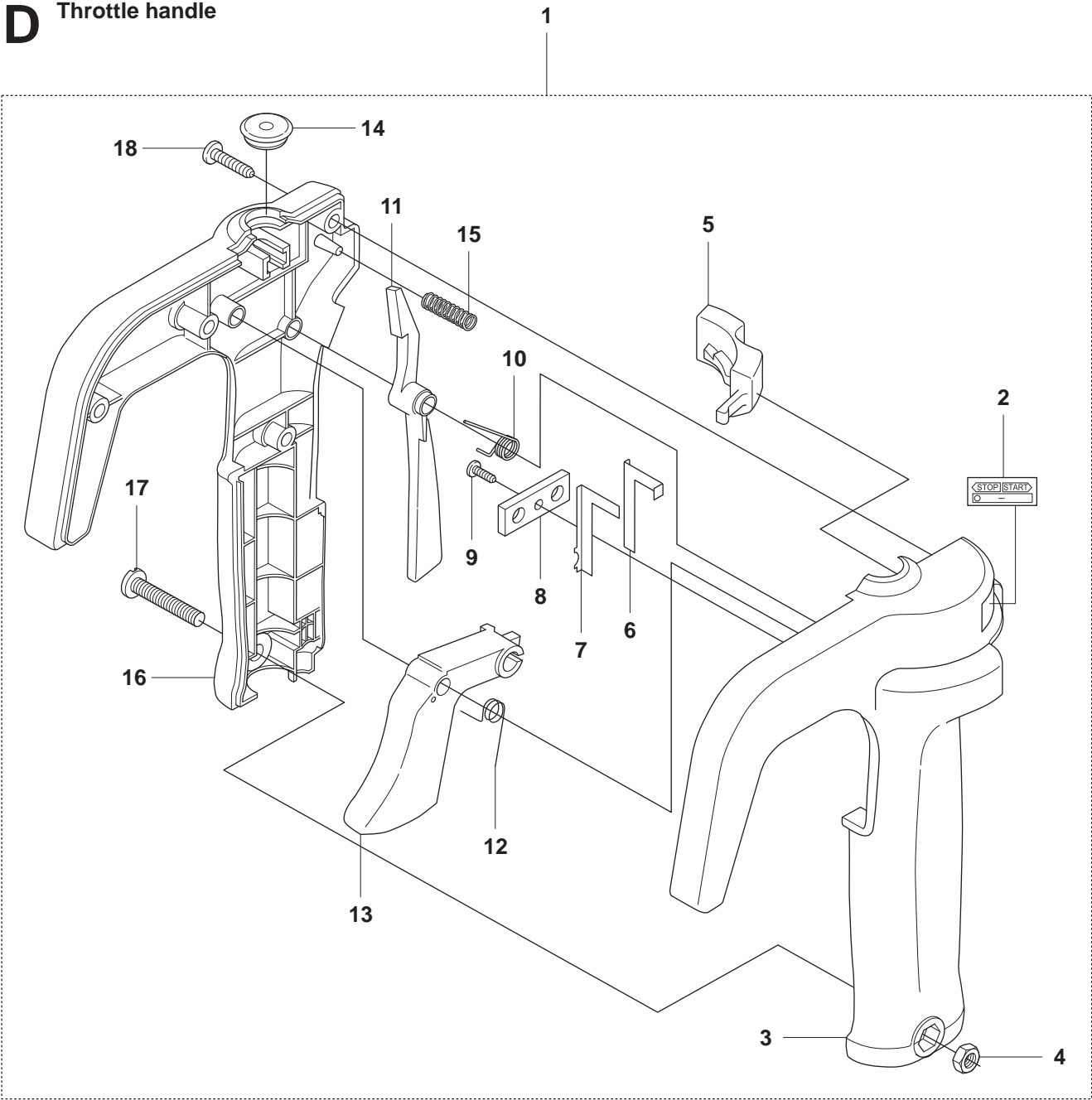
<b>Pos. Nr.</b>	<b>Part nr.</b>	<b>Name</b>	<b>Page</b>	<b>Qty (on this page)</b>	<b>Incl. in kit</b>
<b>Tube &amp; shaft</b>					
1	505 29 44-01	Drive shaft	B	1	
2	505 29 43-01	Tube	B	1	
3	505 29 52-01	Clamp	B	2	
4	505 29 53-01	Suspension compl	B	1	
5	505 29 54-01	Clamp	B	1	4
6	505 29 55-01	Suspension	B	1	4
7	505 29 57-01	Screw M5x22	B	1	4
8	544 33 08-01	Warning label	B	1	
9	505 29 58-01	Label	B	1	
10	731 23 14-01	Nut M5	B	1	4

# C Handlebar



<b>Pos. Nr.</b>	<b>Part nr.</b>	<b>Name</b>	<b>Page</b>	<b>Qty (on this page)</b>	<b>Incl. in kit</b>
<b>Handlebar</b>					
1	505 31 29-01	Handlebar right	C	1	
2	505 31 59-01	Handlebar left	C	1	
3	505 29 46-01	Bracket assy	C	1	
4	505 29 47-01	Bracket lower	C	1	3
5	505 29 48-01	Clamp	C	1	3
6	505 29 49-01	Bracket top	C	1	3
7	725 53 33-55	Screw M5x25	C	6	3

# D Throttle handle





Pos. Nr.	Part nr.	Name	Page	Qty (on this page)	Incl. in kit
<b>Throttle handle</b>					
1	505 31 30-01	Throttle handle compl	D	1	
2	505 31 31-01	Label	D	1	1
3	505 31 32-01	Handle half left	D	1	1
4	731 23 14-01	Nut M5	D	1	1
5	505 31 35-01	Stop switch	D	1	1
6	505 31 36-01	Spring	D	1	1
7	505 31 37-01	Spring	D	1	1
8	505 31 38-01	Holder	D	1	1
9	505 31 39-01	Screw M3x10	D	1	1
10	505 31 40-01	Spring	D	1	1
11	505 31 41-01	Lever	D	1	1
12	505 31 42-01	Spring	D	1	1
13	505 31 43-01	Lever	D	1	1
14	505 31 44-01	Plug	D	1	1
15	505 31 45-01	Spring	D	1	1
16	505 31 46-01	Handle half right	D	1	1
17	505 31 47-01	Screw M5x30	D	1	1
18	505 31 48-01	Screw M4x20	D	4	1
19	505 31 50-01	Electrical leads	D	1	
20	505 31 56-01	Throttle cable	D	1	
21	505 31 57-01	Conduit	D	1	

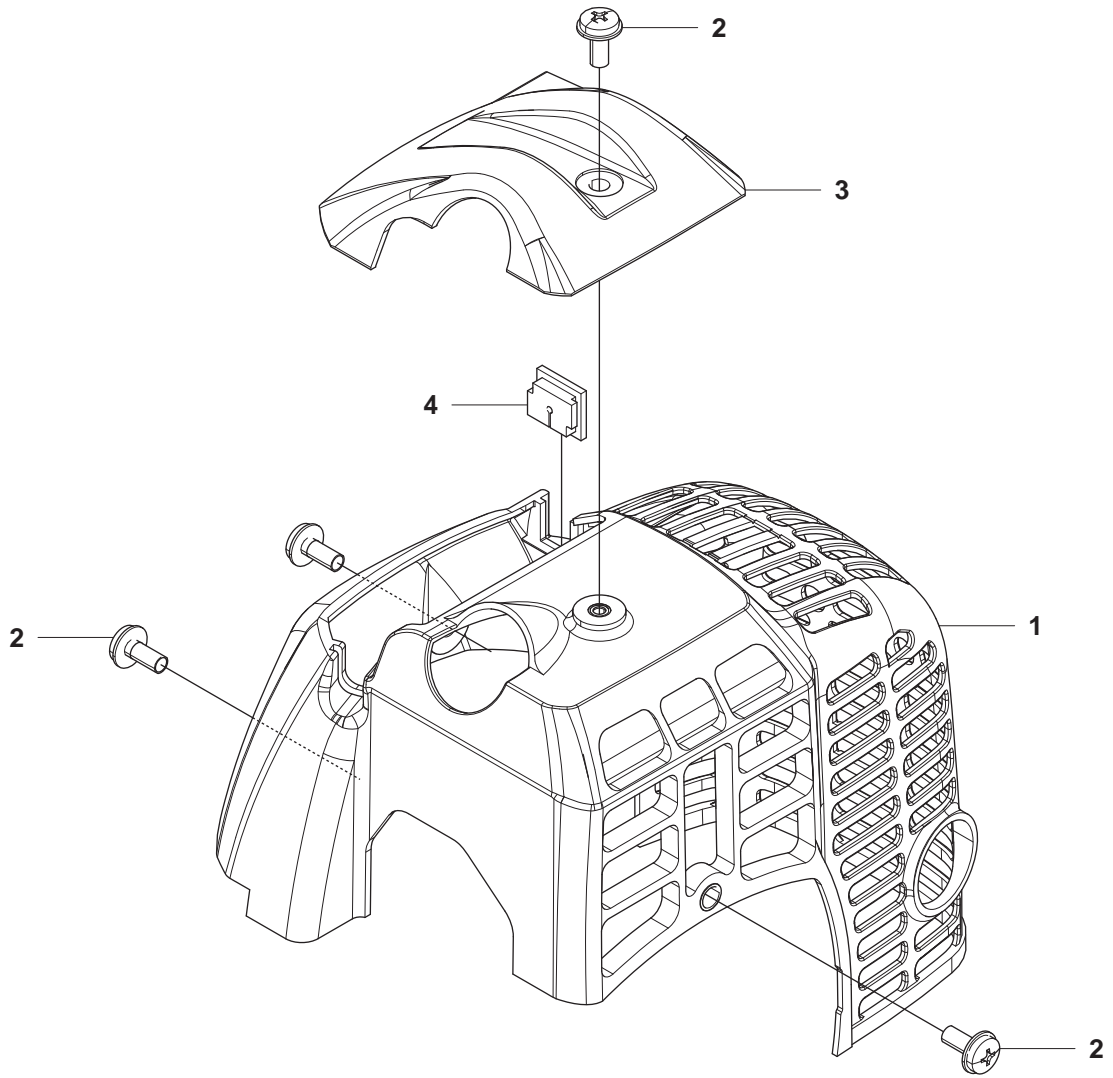


Pos. Nr.	Part nr.	Name	Page	Qty (on this page)	Incl. in kit
<b>Clutch</b>					
1	505 29 29-01	Clutch housing	E	1	
2	505 29 30-01	AV housing	E	1	
3	505 29 32-01	Tube clamp	E	1	
4	505 29 33-01	AV element	E	1	
5	505 29 34-01	AV element	E	1	
6	725 53 35-55	Screw M5x30	E	4	
7	725 53 74-55	Screw M6x30	E	1	
8	725 53 25-55	Screw M5x10	E	1	
9	505 29 38-01	Clutch drum	E	1	
10	738 22 02-29	Ball bearing 6202-2RS1	E	1	
11	505 29 40-01	Locking ring	E	1	
12	735 31 16-00	Locking ring	E	1	
13	505 31 24-01	Screw M6x20	E	4	
14	505 29 76-01	Clutch shoe	E	2	
15	505 29 77-01	Spring	E	1	
16	505 29 78-01	Screw Clutch shoe	E	2	
17	505 29 80-01	Washer	E	2	
18	505 29 81-01	Wave Washer	E	2	



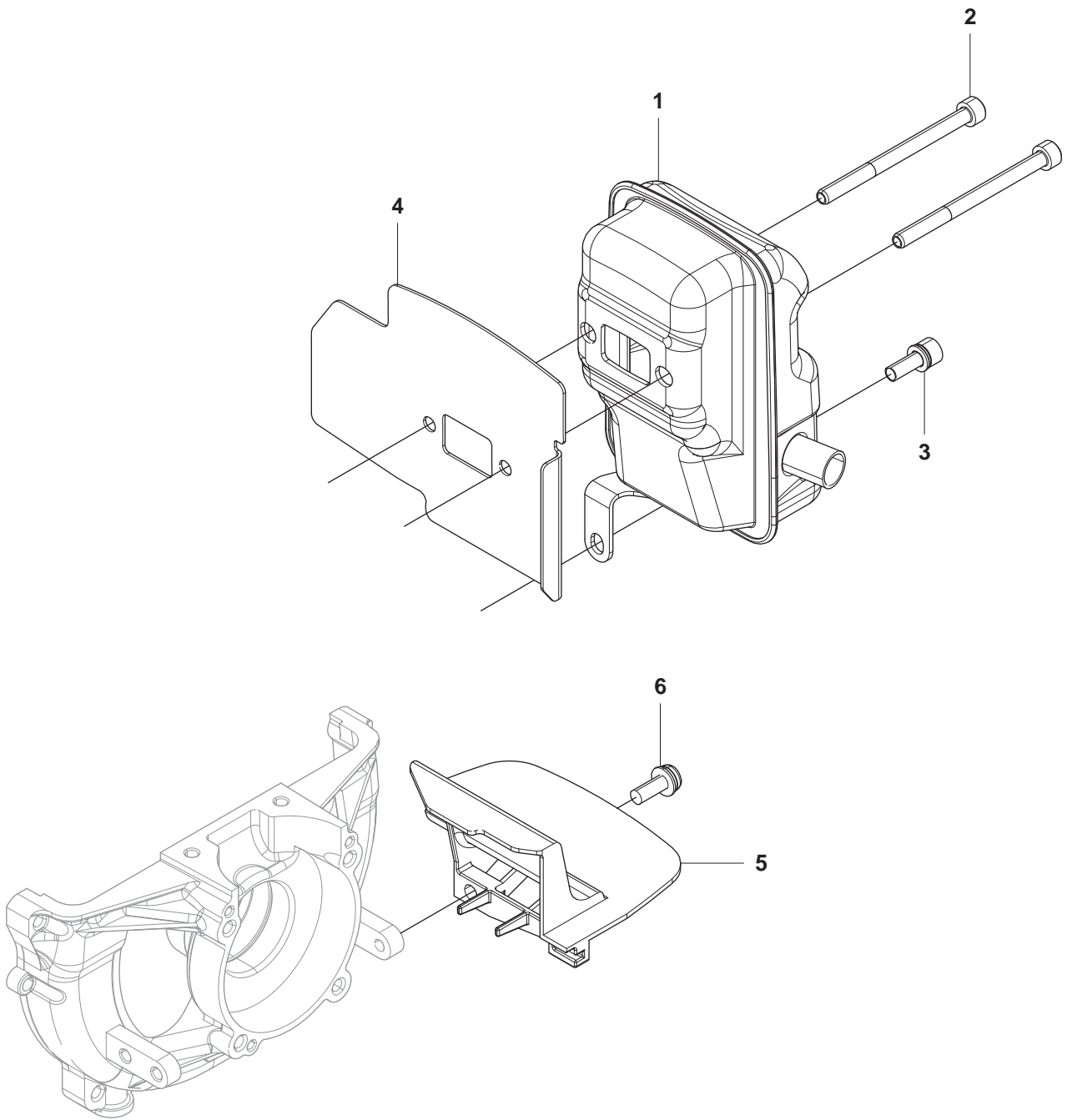
<b>Pos. Nr.</b>	<b>Part nr.</b>	<b>Name</b>	<b>Page</b>	<b>Qty (on this page)</b>	<b>Incl. in kit</b>
<b>Ignition</b>					
1	505 29 82-01	Flywheel	F	1	
2	505 29 83-01	Ignition module compl	F	1	
3	505 29 84-01	High tension lead	F	1	2
4	505 29 85-01	Cap	F	1	2
5	505 29 86-01	Pin	F	2	2
6	505 29 87-01	Grommet	F	1	2
7	505 29 88-01	Cap spark plug	F	1	2
8	505 29 89-01	Conection	F	1	2
9	505 29 90-01	Screw M4x20	F	2	
10	505 29 91-01	Flywheel nut	F	1	
11	505 30 14-01	Leads short circuit	F	1	

**G** Cylinder cover



<b>Pos. Nr.</b>	<b>Part nr.</b>	<b>Name</b>	<b>Page</b>	<b>Qty (on this page)</b>	<b>Incl. in kit</b>
<b>Cylinder cover</b>					
1	505 30 05-01	Cylinder cover	G	1	
2	505 30 06-01	Screw M5x12	G	4	
3	505 30 11-01	Cover	G	1	
4	505 30 13-01	Grommet	G	1	

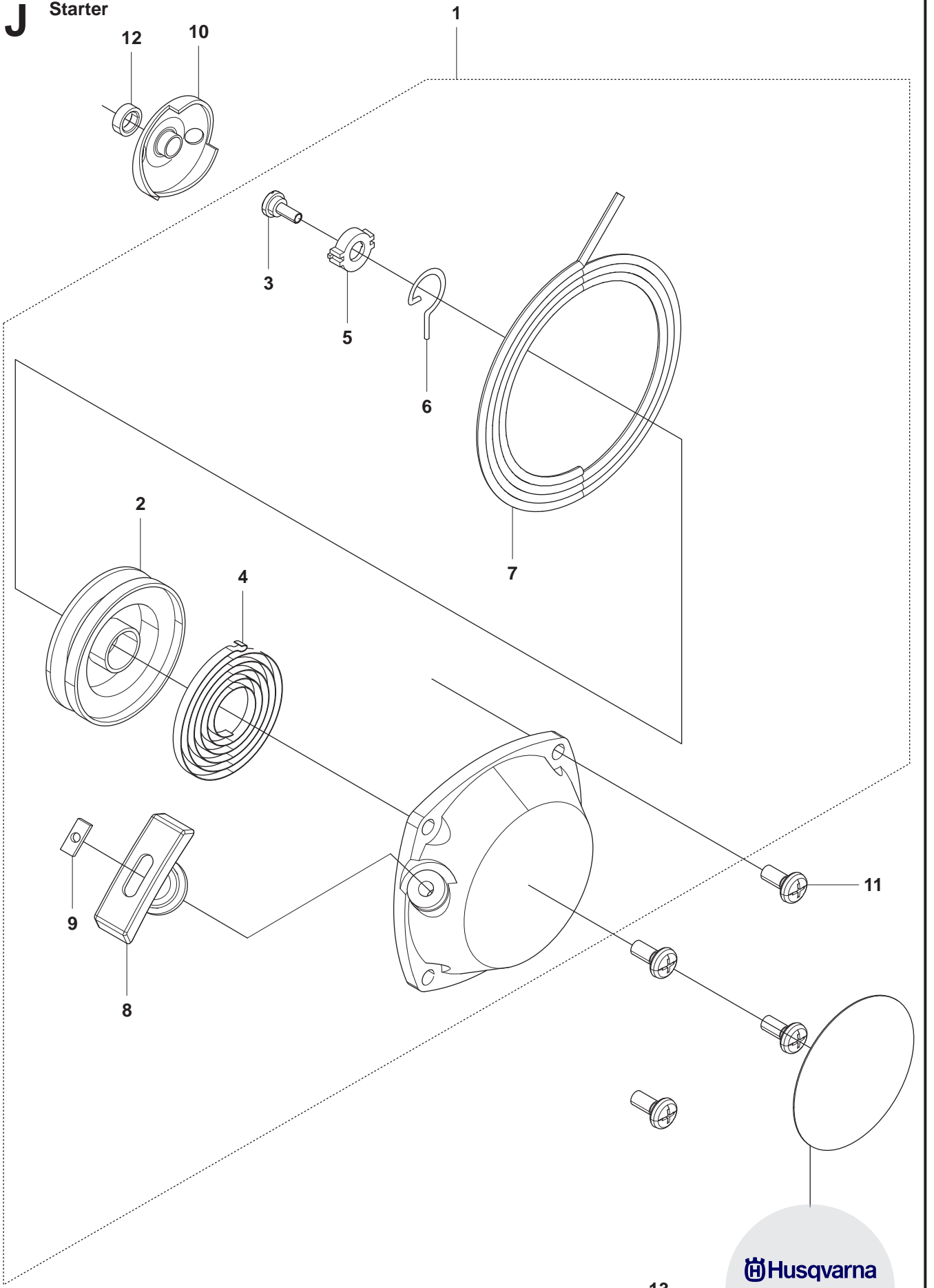
# H Muffler





<b>Pos. Nr.</b>	<b>Part nr.</b>	<b>Name</b>	<b>Page</b>	<b>Qty (on this page)</b>	<b>Incl. in kit</b>
<b>Muffler</b>					
1	505 29 93-01	Muffler	H	1	
2	505 29 94-01	Screw muffler	H	2	
3	505 29 95-01	Screw	H	1	
4	505 29 96-01	Gasket/deflektor muffler	H	1	
5	505 29 97-01	Deflektor	H	1	
6	505 29 98-01	Screw M5x14	H	1	

# J Starter



 **Husqvarna**

143RII

E-tech

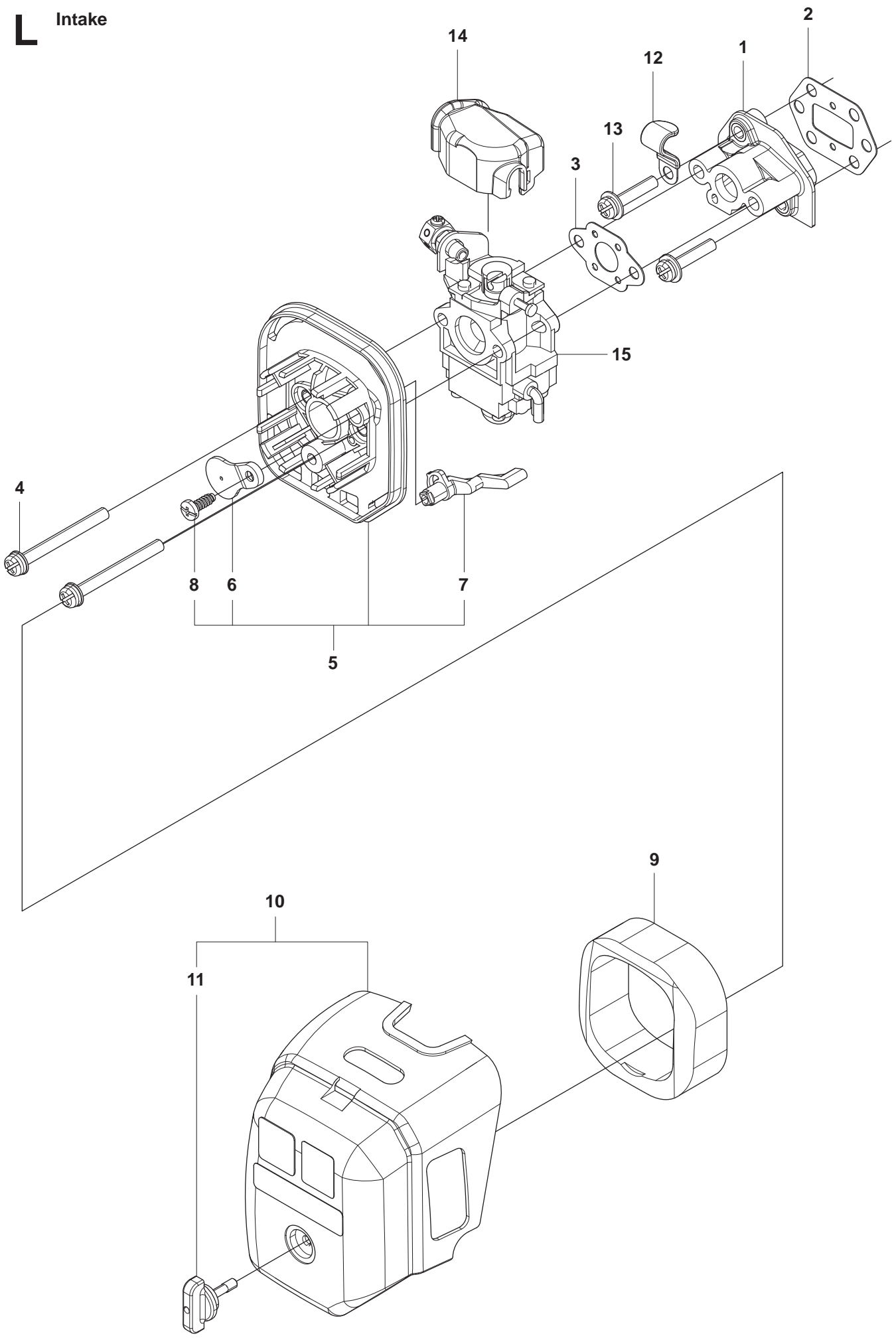
<b>Pos. Nr.</b>	<b>Part nr.</b>	<b>Name</b>	<b>Page</b>	<b>Qty (on this page)</b>	<b>Incl. in kit</b>
<b>Starter</b>					
1	505 30 17-01	Starter compl	J	1	
2	505 30 18-01	Starter pulley	J	1	1
3	505 30 19-01	Screw	J	1	1
4	505 30 22-01	Starter spring	J	1	1
5	505 30 25-01	Collar	J	1	1
6	505 30 26-01	Arm	J	1	1
7	505 30 28-01	Starter rope	J	1	1
8	505 30 34-01	Starter handle	J	1	1
9	505 30 39-01	Stopper	J	1	1
10	505 30 43-01	Driver	J	1	
11	505 30 44-01	Screw M6x14	J	4	
12	505 30 46-01	Spacer ring	J	1	
13	505 31 14-01	Decal	J	1	



<b>Pos. Nr.</b>	<b>Part nr.</b>	<b>Name</b>	<b>Page</b>	<b>Qty (on this page)</b>	<b>Incl. in kit</b>
<b>Tank</b>					
1	505 30 95-01	Tank compl	K	1	
2	505 30 96-01	Tank cap	K	1	1
3	505 30 99-01	Tank cap seal	K	1	1
4	505 31 03-01	Fuel line kit	K	1	1
5	505 31 05-01	Fuel filter	K	1	1
6	505 31 08-01	Clip	K	1	1
7	505 31 09-01	Tank protection	K	1	
8	505 31 10-01	Screw M5x25	K	4	

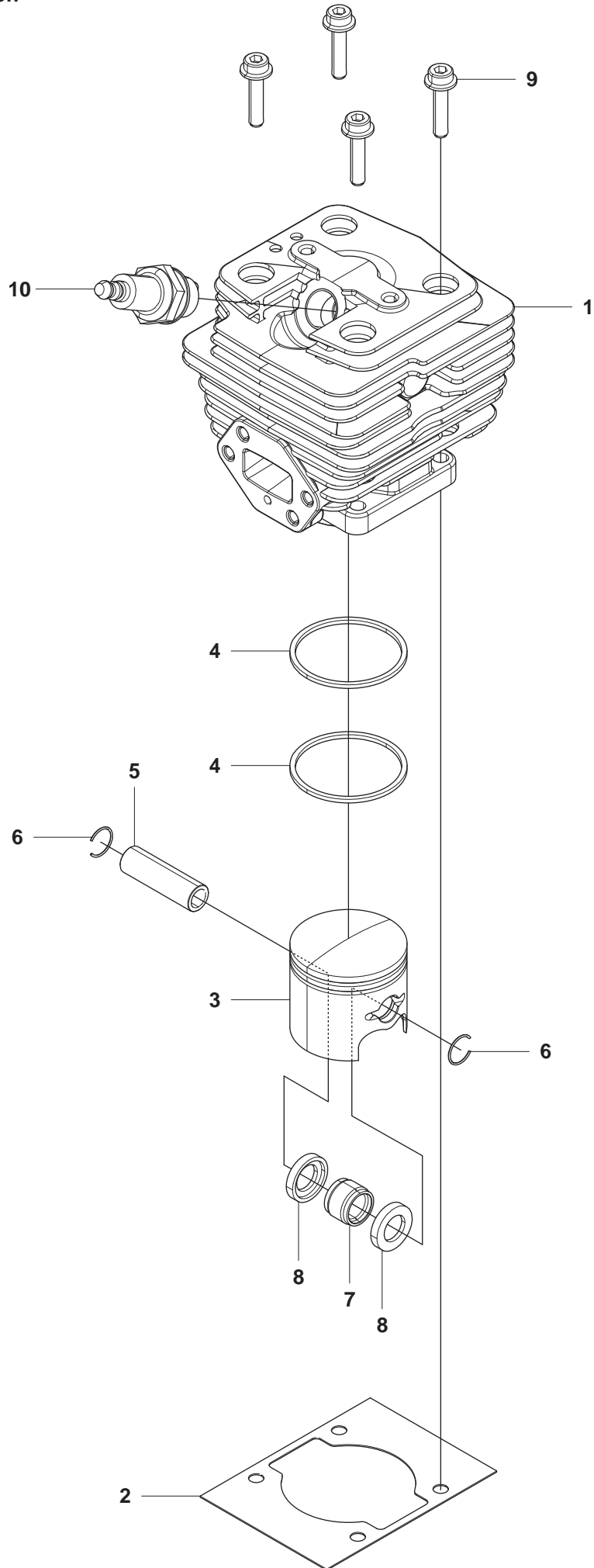


Intake



<b>Pos. Nr.</b>	<b>Part nr.</b>	<b>Name</b>	<b>Page</b>	<b>Qty (on this page)</b>	<b>Incl. in kit</b>
<b>Intake</b>					
1	505 30 47-01	Manifold	L	1	
2	505 30 49-01	Gasket	L	1	
3	505 30 50-01	Gasket	L	1	
4	505 30 87-01	Screw M5x50	L	2	
5	505 30 88-01	Airfilter holder compl	L	1	
6	505 30 89-01	Choke flap	L	1	5
7	505 30 90-01	Choke lever	L	1	5
8	505 30 91-01	Screw	L	1	5
9	505 30 92-01	Airfilter	L	1	
10	505 30 93-01	Airfilter cover compl	L	1	
11	505 30 94-01	Knob	L	1	10
12	505 30 15-01	Clamp	L	1	
13	505 30 48-01	Screw M5x25	L	2	
14	505 31 60-01	Cover	L	1	
15	505 30 53-01	Carburettor	L	1	

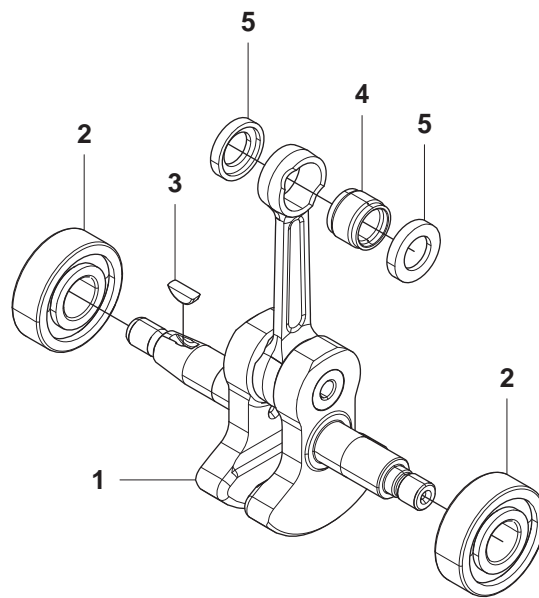
# M Cylinder & piston





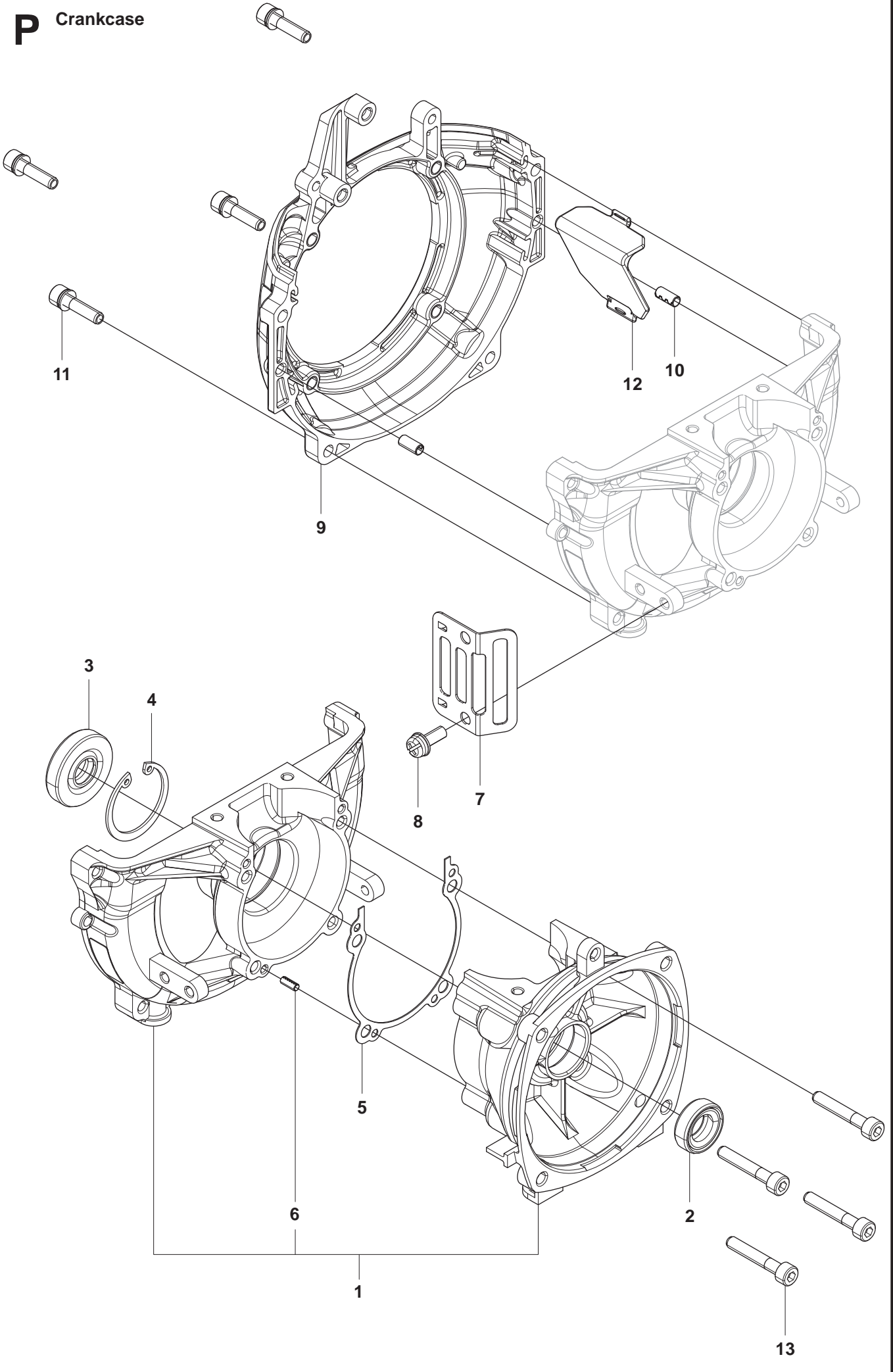
<b>Pos. Nr.</b>	<b>Part nr.</b>	<b>Name</b>	<b>Page</b>	<b>Qty (on this page)</b>	<b>Incl. in kit</b>
<b>Cylinder&amp;Piston</b>					
1	510 06 42-01	Cylinder	M	1	
2	510 06 43-01	Gasket cylinderbase	M	1	
3	505 29 69-01	Piston	M	1	
4	505 29 70-01	Piston ring	M	2	
5	505 29 71-01	Piston pin	M	1	
6	505 29 72-01	Circlip	M	2	
7	505 29 73-01	Needle bearing	M	1	
8	505 29 74-01	Spacer washer	M	2	
9	503 20 07-78	Screw M5x25	M	4	
10	503 23 51-11	Sparkplug	M	1	

# N Crankshaft



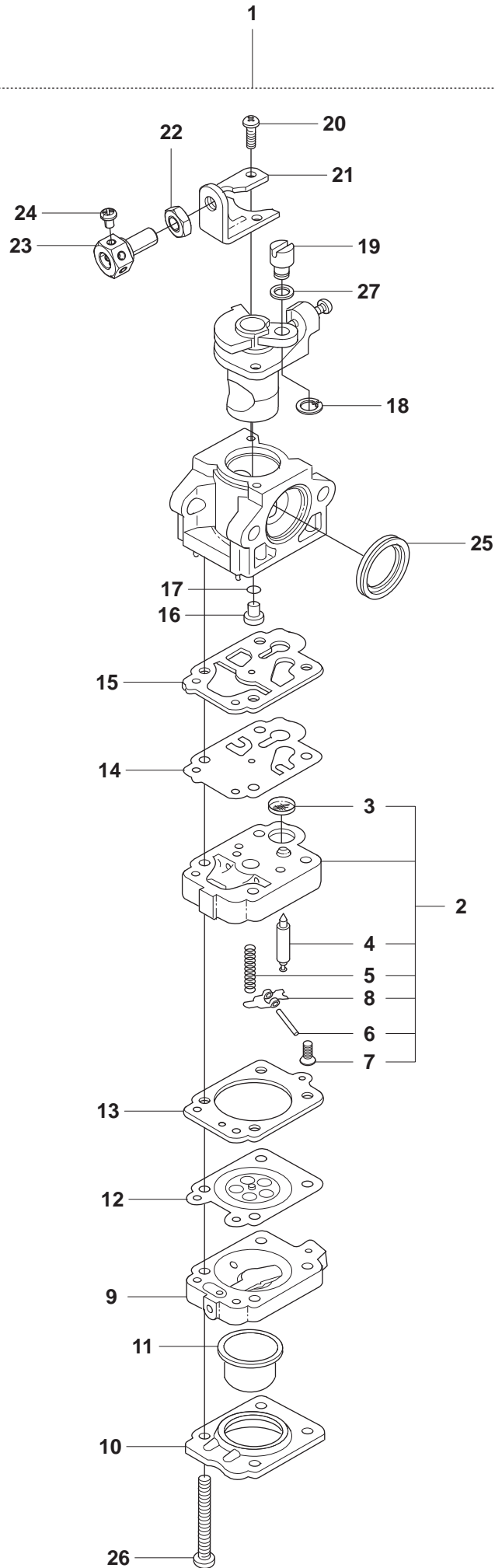
<b>Pos. Nr.</b>	<b>Part nr.</b>	<b>Name</b>	<b>Page</b>	<b>Qty (on this page)</b>	<b>Incl. in kit</b>
<b>Crankshaft</b>					
1	505 29 75-01	Crankshaft	N	1	
2	505 29 65-01	Ballbearing	N	2	
3	505 29 92-01	Key	N	1	
4	505 29 73-01	Needle bearing	N	1	
5	505 29 74-01	Spacer washer	N	2	

**P** Crankcase



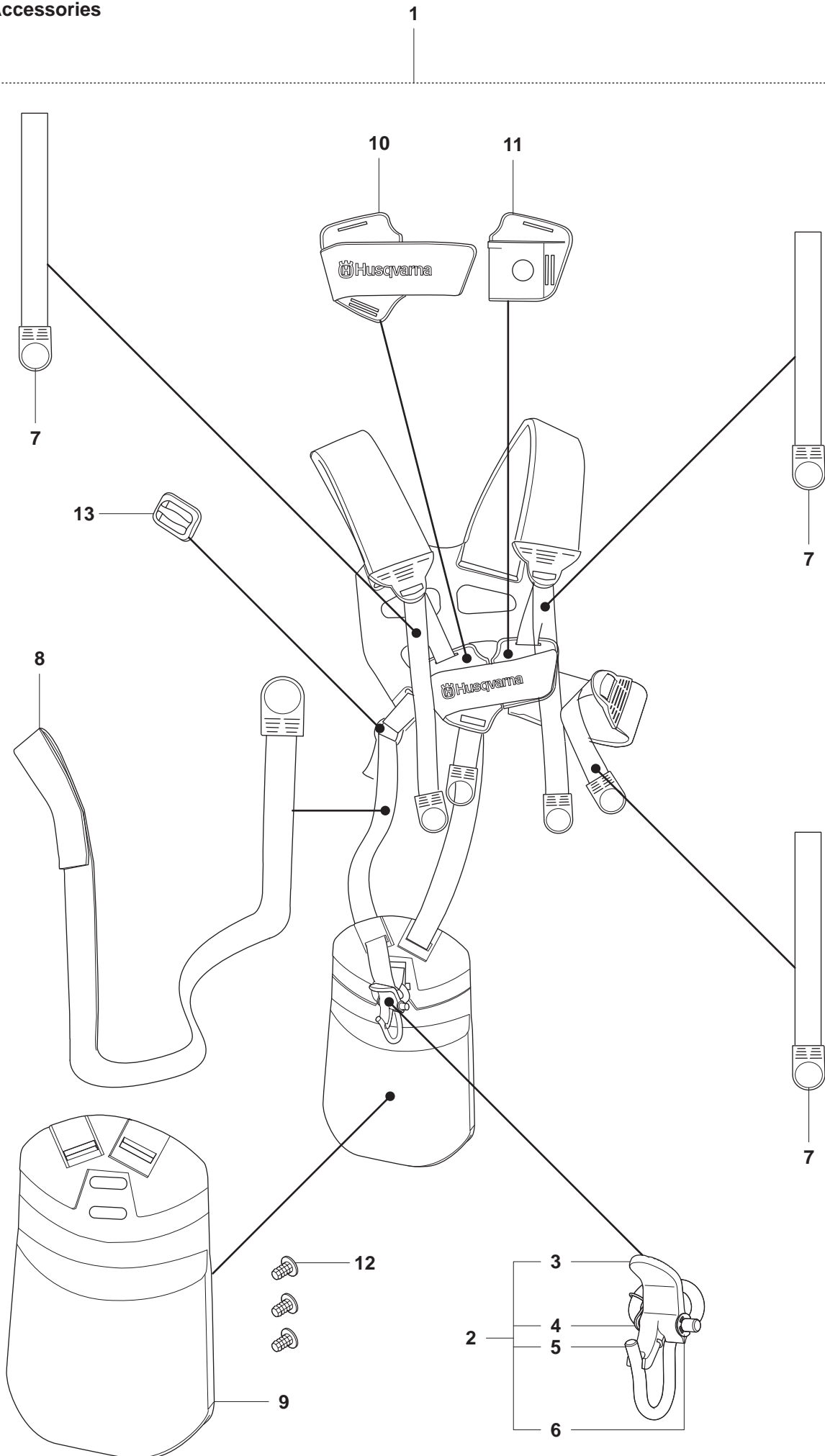
<b>Pos. Nr.</b>	<b>Part nr.</b>	<b>Name</b>	<b>Page</b>	<b>Qty (on this page)</b>	<b>Incl. in kit</b>
<b>Crankcase</b>					
1	505 29 60-01	Crankcase compl	P	1	
2	505 29 66-01	Sealing ring	P	1	
3	505 29 67-01	Sealing ring	P	1	
4	735 31 31-10	Locking ring	P	1	
5	505 29 64-01	Gasket	P	1	
6	505 29 61-01	Pin	P	3	1
7	505 29 62-01	Protection	P	1	
8	724 13 27-51	Screw M5x14	P	1	
9	505 29 99-01	Cover	P	1	
10	505 30 00-01	Pin	P	2	
11	505 30 02-01	Screw M5x20	P	4	
12	505 30 04-01	Air guide	P	1	
13	725 53 35-55	Screw M5x30	P	4	

# Q Carbuirettor



Pos. Nr.	Part nr.	Name	Page	Qty (on this page)	Incl. in kit
<b>Carburettor</b>					
1	505 30 53-01	Carburettor	Q	1	
2	505 30 54-01	Body	Q	1	1,2
3	505 30 55-01	Screen	Q	1	1,2
4	505 30 57-01	Needle valve	Q	1	1,2
5	505 30 60-01	Spring	Q	1	1,2
6	505 30 62-01	Pin	Q	1	1,2
7	505 30 61-01	Screw	Q	1	1,2
8	505 30 64-01	Lever	Q	1	1,2
9	505 30 65-01	Body	Q	1	1
10	505 30 66-01	Cover	Q	1	1
11	505 30 67-01	Bulb	Q	1	1
12	505 30 68-01	Diaphragm metering	Q	1	1
13	505 30 69-01	Gasket	Q	1	1
14	505 30 70-01	Diaphragm pump	Q	1	1
15	505 30 72-01	Gasket	Q	1	1
16	505 30 74-01	Jet	Q	1	1
17	505 30 75-01	O - ring	Q	1	1
18	505 30 77-01	Circlip	Q	1	1
19	505 30 78-01	Swivel	Q	1	1
20	505 30 79-01	Screw	Q	2	1
21	505 30 80-01	Bracket	Q	1	1
22	731 23 14-01	Nut M5	Q	1	1
23	505 30 82-01	Cable adjuster	Q	1	1
24	505 30 83-01	Screw	Q	1	1
25	505 30 84-01	Sealing ring	Q	1	1
26	505 30 85-01	Screw	Q	4	1
27	505 30 86-01	Washer	Q	1	1

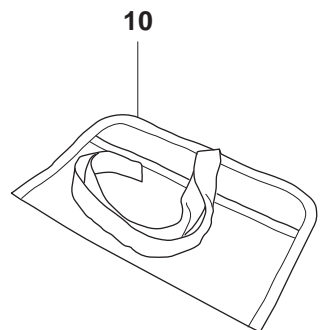
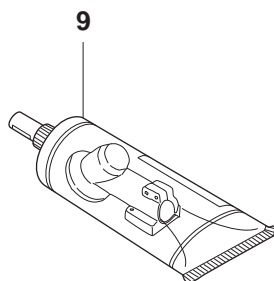
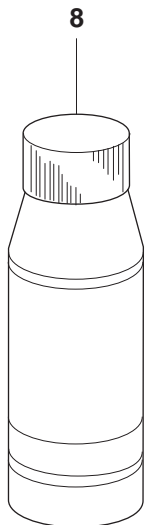
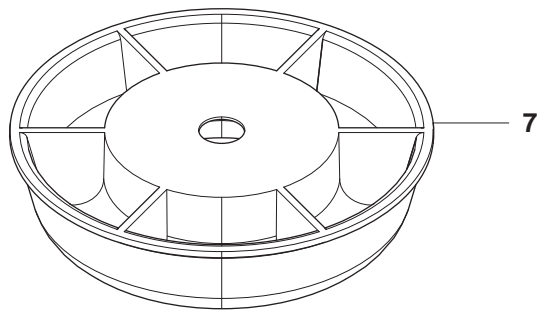
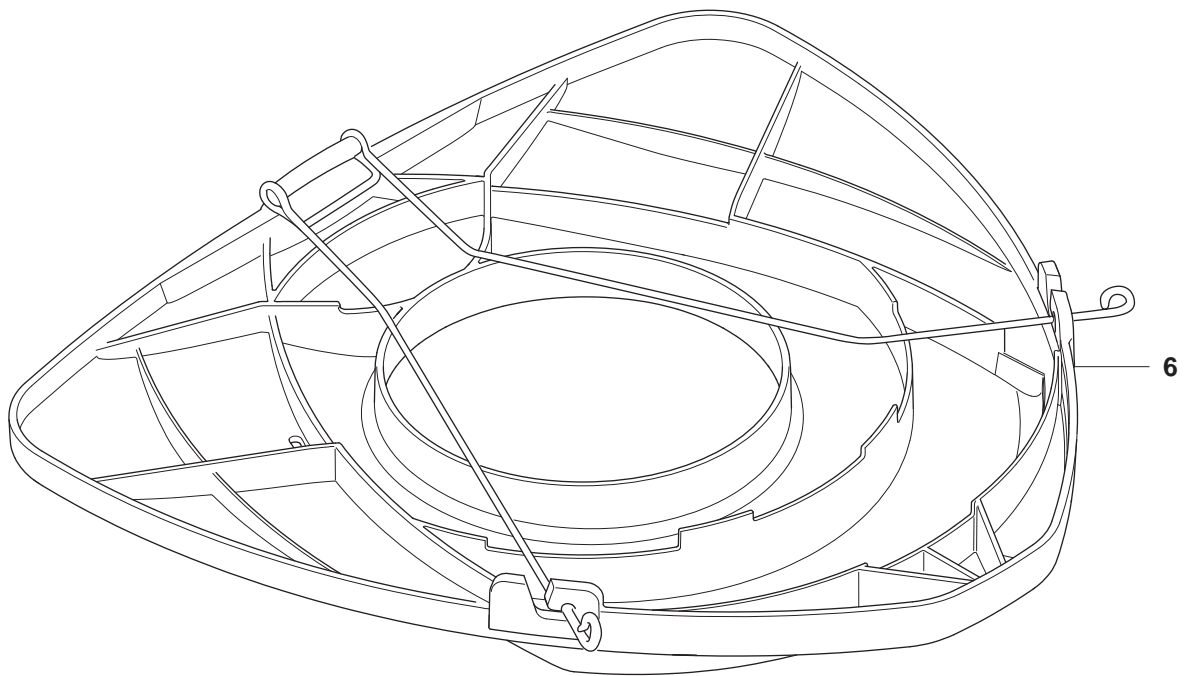
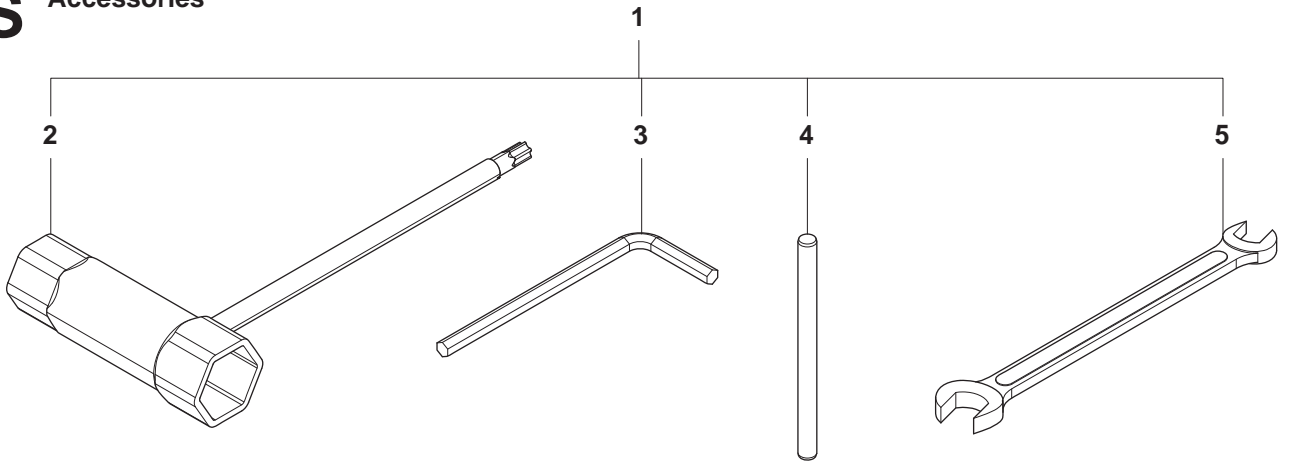
# R Accessories





<b>Pos. Nr.</b>	<b>Part nr.</b>	<b>Name</b>	<b>Page</b>	<b>Qty (on this page)</b>	<b>Incl. in kit</b>
<b>Accessories</b>					
1	537 27 57-01	Harness	R	1	
2	502 02 28-01	Suspension hook compl	R	1	1
3	502 02 30-02	Latch	R	1	1,2
4	502 02 38-01	Spring	R	1	1,2
5	502 02 29-02	Suspension hook	R	1	1,2
6	735 31 09-20	Circlip	R	1	1,2
7	503 99 61-01	Strap	R	3	1
8	503 99 61-03	Strap	R	1	1
9	537 27 59-01	Hip pad	R	1	1
10	537 28 84-01	Buckle right	R	1	1
11	537 28 83-01	Buckle left	R	1	1
12	537 17 54-01	Rivet	R	3	1
13	537 11 35-01	Tie clip	R	1	1

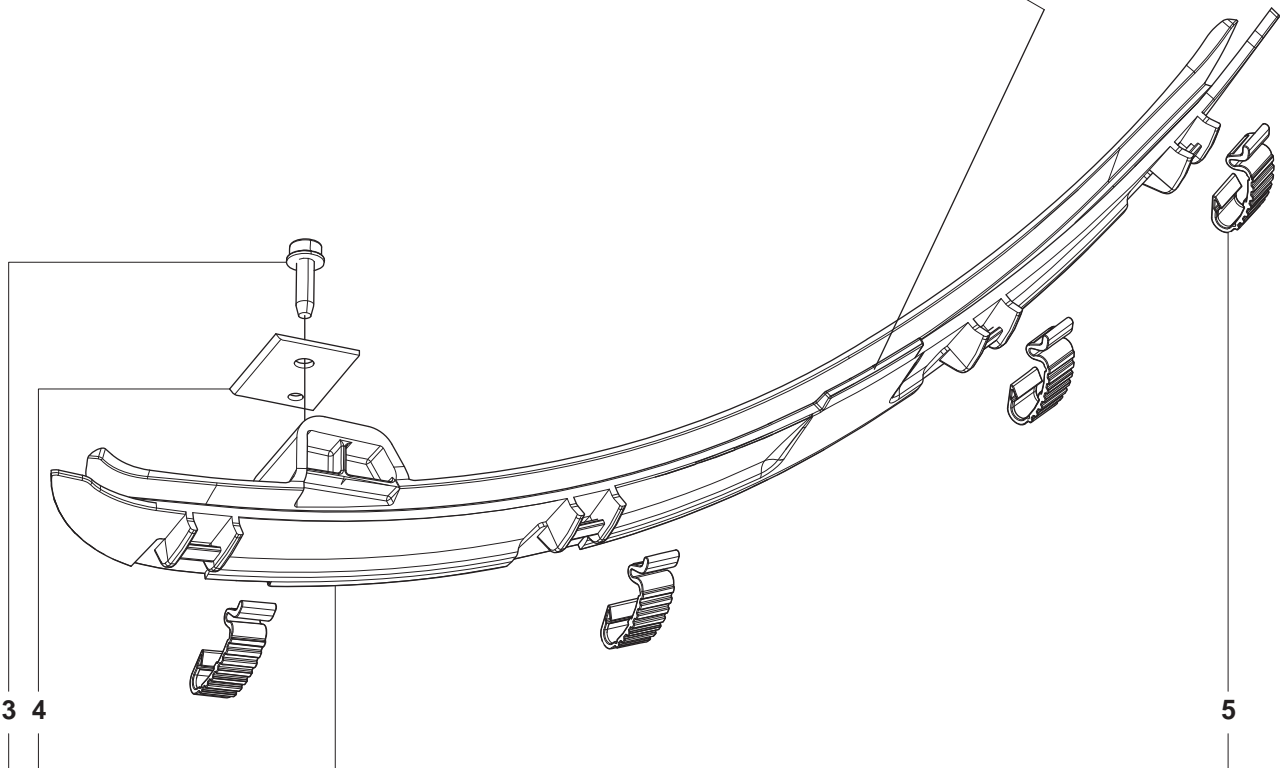
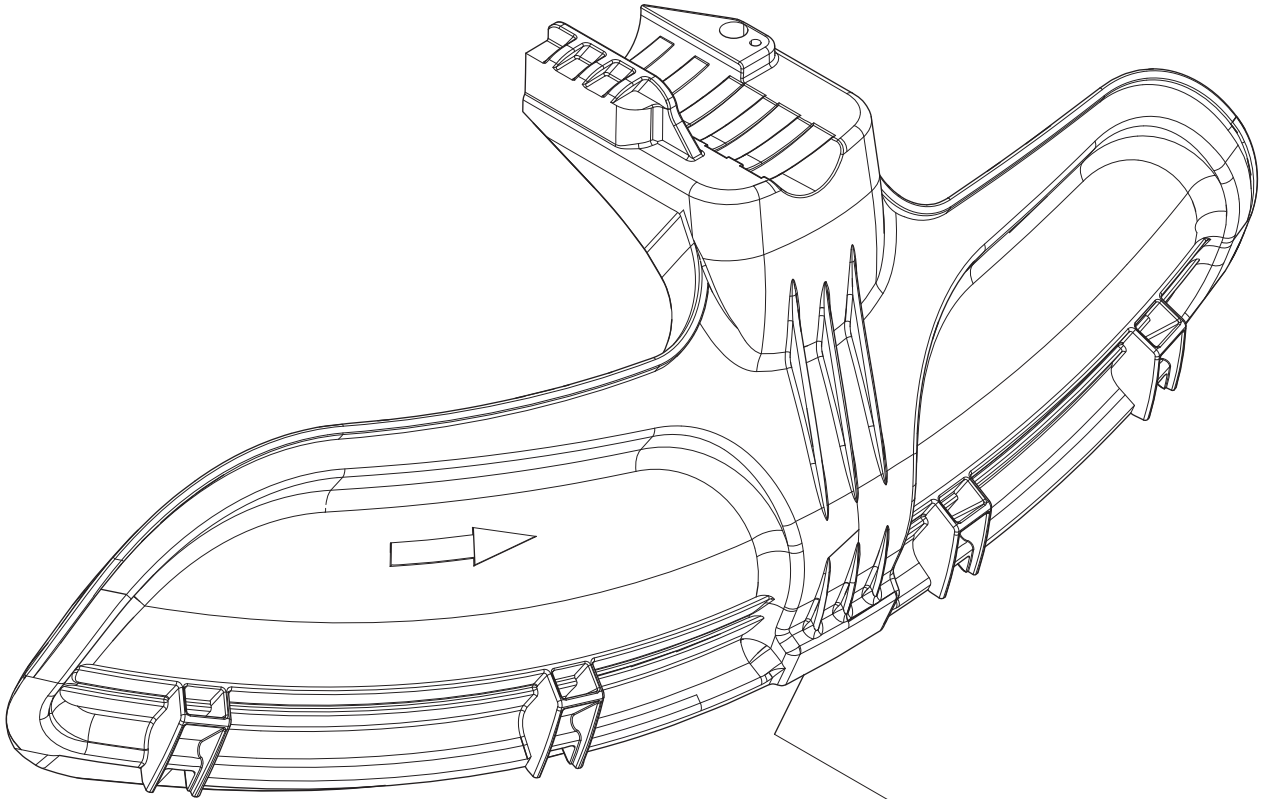
# S Accessories



<b>Pos. Nr.</b>	<b>Part nr.</b>	<b>Name</b>	<b>Page</b>	<b>Qty (on this page)</b>	<b>Incl. in kit</b>
<b>Accessories</b>					
1	505 31 16-01	Tool kit compl	S	1	
2	505 31 18-01	Socket wrench	S	1	1
3	505 31 19-01	Allen key 5mm	S	1	1
4	505 31 20-01	Stop pin	S	1	1
5	505 31 23-01	Spanner 8+10mm	S	1	1
6	544 35 91-01	Transport guard	S	1	
7	503 89 01-02	Support cup	S	1	
8	531 00 92-48	Airfilter oil	S	1	
9	503 97 64-01	Grease gearbox	S	1	
10	501 19 22-01	Tool bag	S	1	

# T Accessories

1



3 4

2

5

<b>Pos. Nr.</b>	<b>Part nr.</b>	<b>Name</b>	<b>Page</b>	<b>Qty (on this page)</b>	<b>Incl. in kit</b>
<b>Accessories</b>					
1	537 33 16-01	Guard compl	T	1	
2	537 39 63-01	Extension compl	T	1	1
3	503 21 07-16	Screw 4,8x16	T	1	1,2
4	503 79 88-01	Knife	T	1	1,2
5	537 38 72-01	Latch	T	4	1,2